

Important Notice

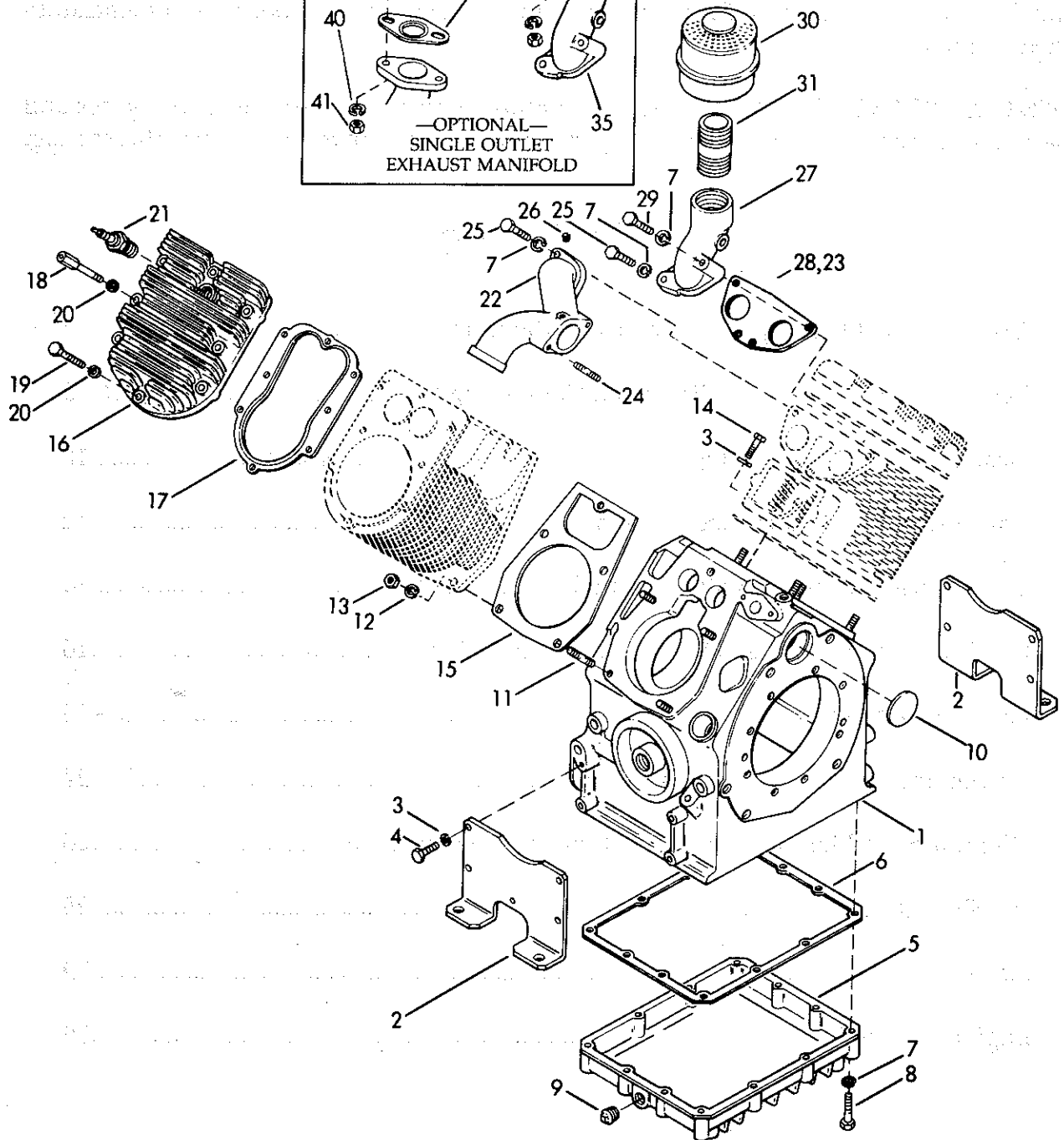
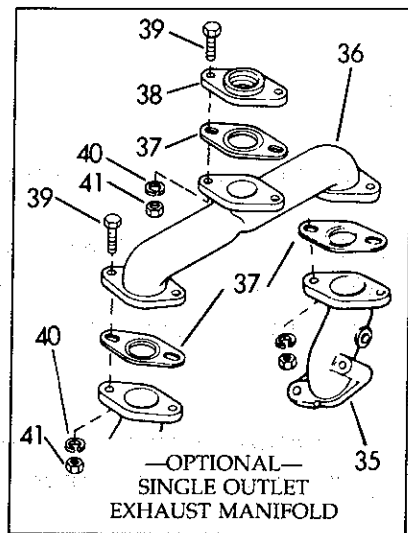
The manuals contained in this computer file are reproductions from the “Wisconsin Engine” counter catalog, part number “S236”. This manual was last produced in the mid 1980’s.

As with any printed data, the information contained in these manuals may not be the most up-to-date available. It is provided as a convenience to our customers and all information should be verified before making repairs to an engine or component.

All service parts are sold through our Distributor Network. Visit our website (www.wisconsinmotors.com) to locate a distributor near you.

Table of Contents

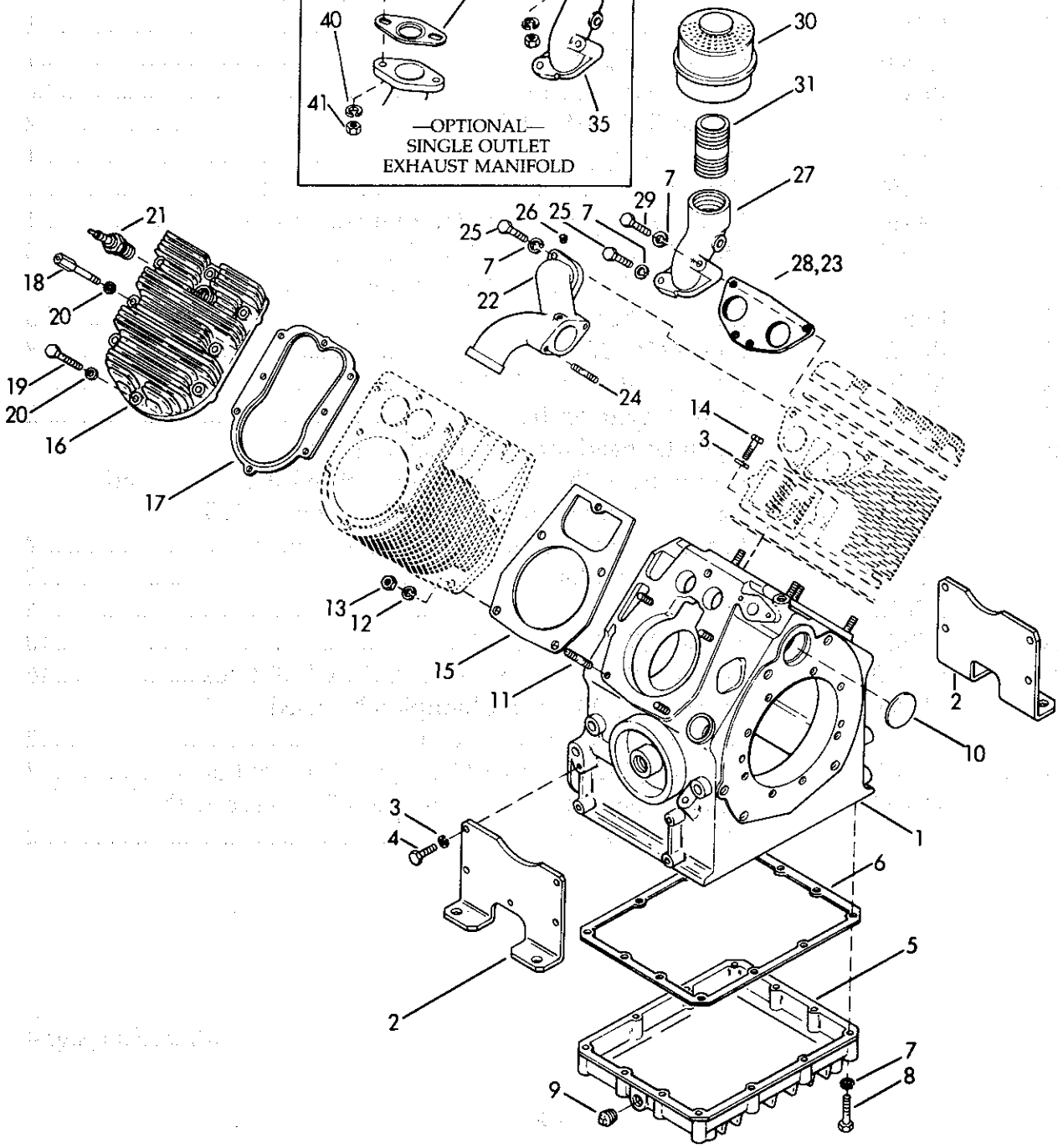
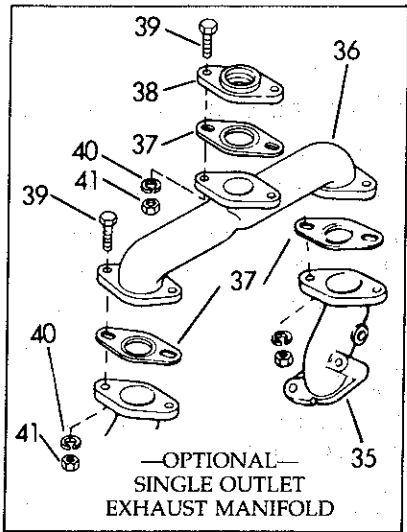
Crankcase, Oil Pan, Cylinder Head and Manifold	2 - 4
Bearing Plate, Crankshaft, Piston and Connecting Rod	6 - 8
Gear Cover, Flywheel and ENA 130 (30 amp) Flywheel Alternator.....	10
Camshaft and Cylinder Block Assembly	12
Oil Pump and Pressure Valve Assemblies	14
Oil Filler, Dipstick, Filter, Oil Pump and Relief Valve	16
Governor Assembly	18 - 20
Carburetor, Air Cleaner and Fuel Pump	22 - 24
Distributor and Ignition Coil with High Temp Safety Switch	26
Air Shrouding	28
Starting Motor Assemblies	29
Engine Gasket Set	30



Crankcase, Oil Pan, Cylinder Head and Manifold

ITEM	PART NO.	DESCRIPTION	QTY.
1	BAA102	Crankcase/bearing plate, standard	1
—	BAA104	Crankcase assembly (for engines w/clutch reduction units)	1
2	BK127	Engine support	2
3	PE5	Lock washer, 3/8"	10
4	XD27A	Screw, 3/8"-16 x 1"	8
5	BB143	Oil pan	1
6	QD863	Gasket, oil pan	1
7	PE4	Lock washer, 5/16"	20
8	XD22	Screw, 5/16"-18 x 1-3/4"	12
9	XK3	Plug, 3/8" pipe	1
10	SA159	Plug, 1-5/8"	1
—	SA164	Plug (for engines w/clutch reduction units)	1
11	PC615	Stud, 7/16"-14 and 20 thread	8
		x 1-11/16" long, for W2-1230 and W2-1235	
12	PE6	Lock washer, 7/16"	8
13	PD12	Nut, 7/16"-20	8
14	XD29	Screw, 3/8"-16 x 1-1/4" long	2
15	QD818B	Gasket, cylinder base	2
16	AB125A	Cylinder head for 14 mm spark plug beginning with engine serial no. 5996538. AB 125 head for 18 mm spark plug replaced by two AB 125A heads and 14 mm spark plugs (see item 21)	2
17	QD847	Gasket, cylinder head	2
18	PC638	Stud	6
19	XD31	Screw, 3/8"-16 x 1-3/4"	10
20	PH513	Washer, 13/32" I.D. x 13/16" O.D. x 1/8" thick	16
21	YD369S1	Spark plug (14 mm), Champion N6 used with AB125A cylinder head	2
—	YD369AS1	Resistor plug (14 mm), Champion RN6, optional	2
—	YD6S1	Resistor plug (18 mm), Champion D16J used with obsolete AB125 cylinder head	2

continued on page 4



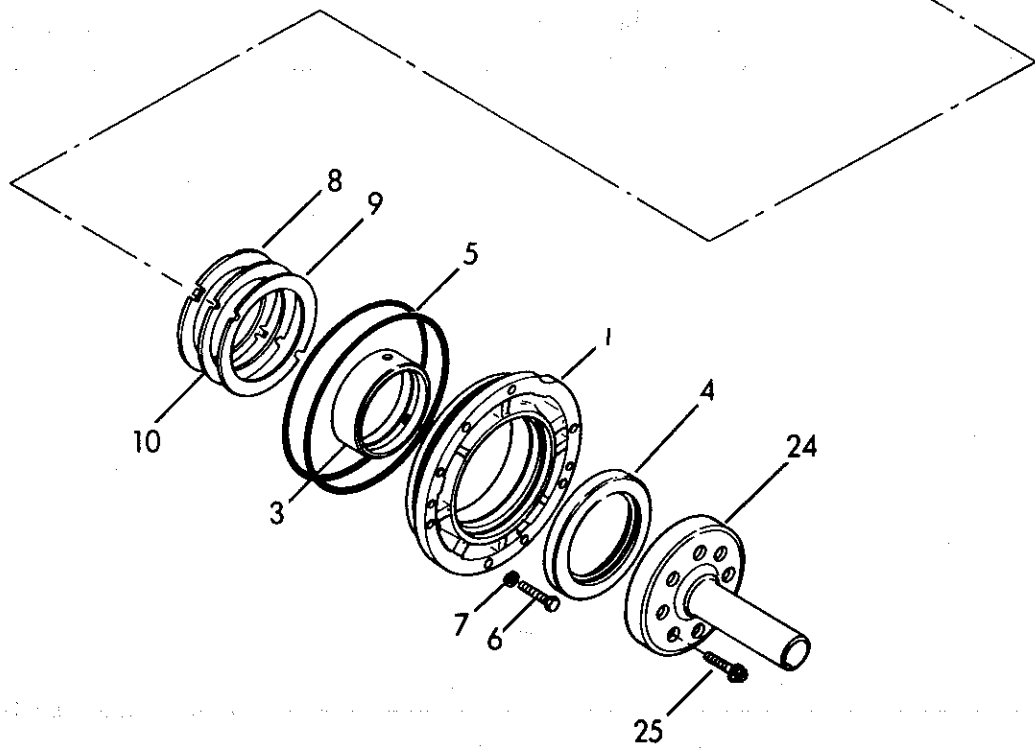
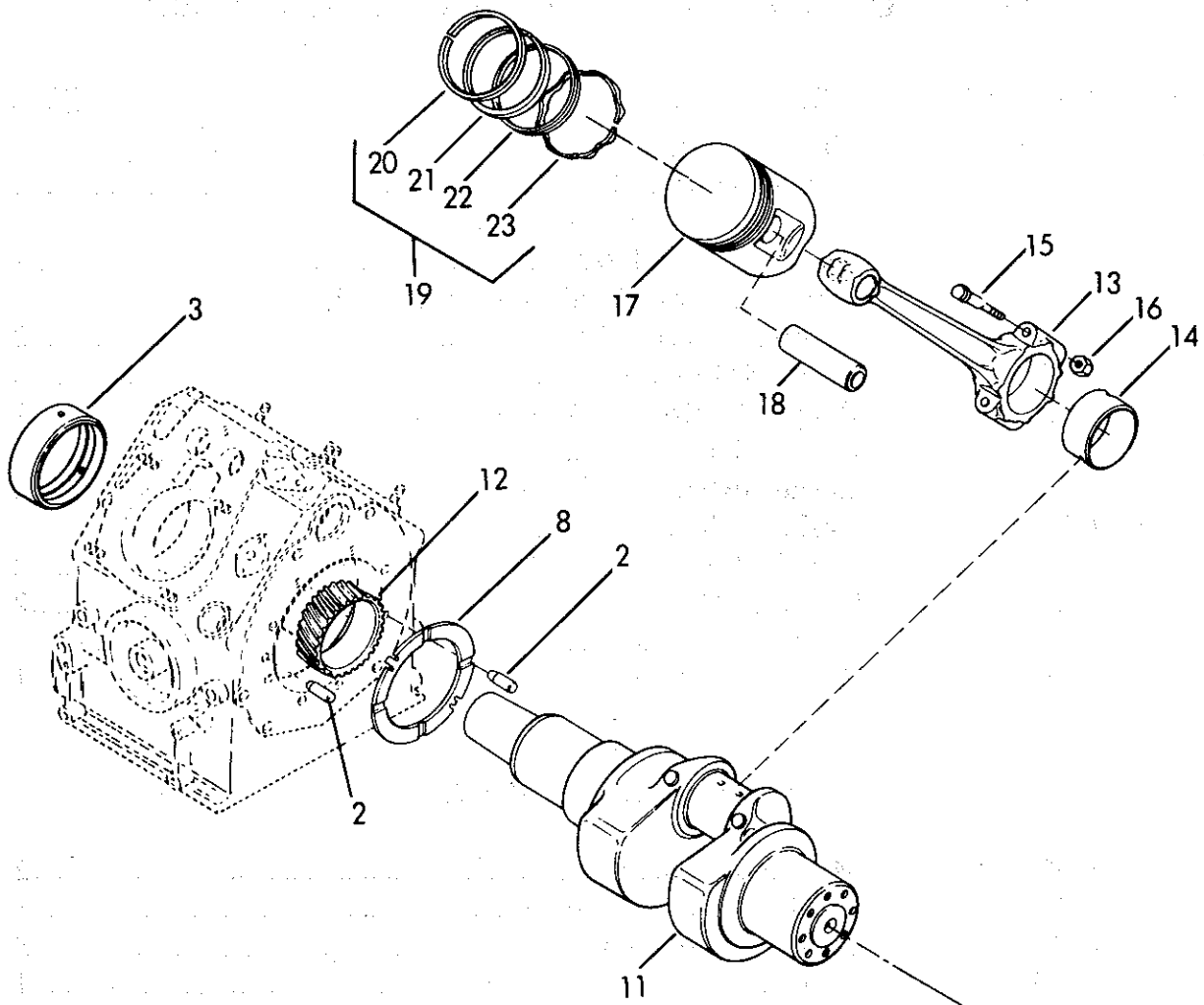
Crankcase, Oil Pan, Cylinder Head and Manifold (cont.)

ITEM	PART NO.	DESCRIPTION	QTY.
22	LCA100	Manifold, intake assembly (includes items 24 and 26)	1
23	QC12A	Gasket, intake manifold port for W2-1230 and W2-1235 only	1
24	PC549	Stud, intake manifold for carburetor 5/16"-18 and 24 thread x 1-5/16" long	2
25	XD19	Screw, 5/16"-18 x 1-1/4" long	6
26	PF18	Plug, 1/8" pipe, intake manifold	1
27	LD264	Manifold, exhaust	2
28	QB87	Gasket, exhaust and intake manifold ports for W2-1250	2
—	QB86	Gasket, exhaust and intake manifold ports for W2-1230 and W2-1235	2
29	XD140	Screw, 5/16"-18 x 2-1/4" long	2
30	WD66S1	Muffler, exhaust	1
31	LJ280	Pipe, exhaust muffler	1

— OPTIONAL —

Single Outlet Exhaust Manifold

35	LD266	Manifold, exhaust	2
36	LD267	Manifold branch, exhaust	1
37	QD727	Gasket, exhaust flange	3
38	LF130	Flange, exhaust, 1-1/4" pipe tap	1
39	XD179	Screw, 3/8"-16 x 1-3/8" long	6
40	PE5	Lock washer, 3/8"	6
41	PD79	Nut, 3/8"-16	6



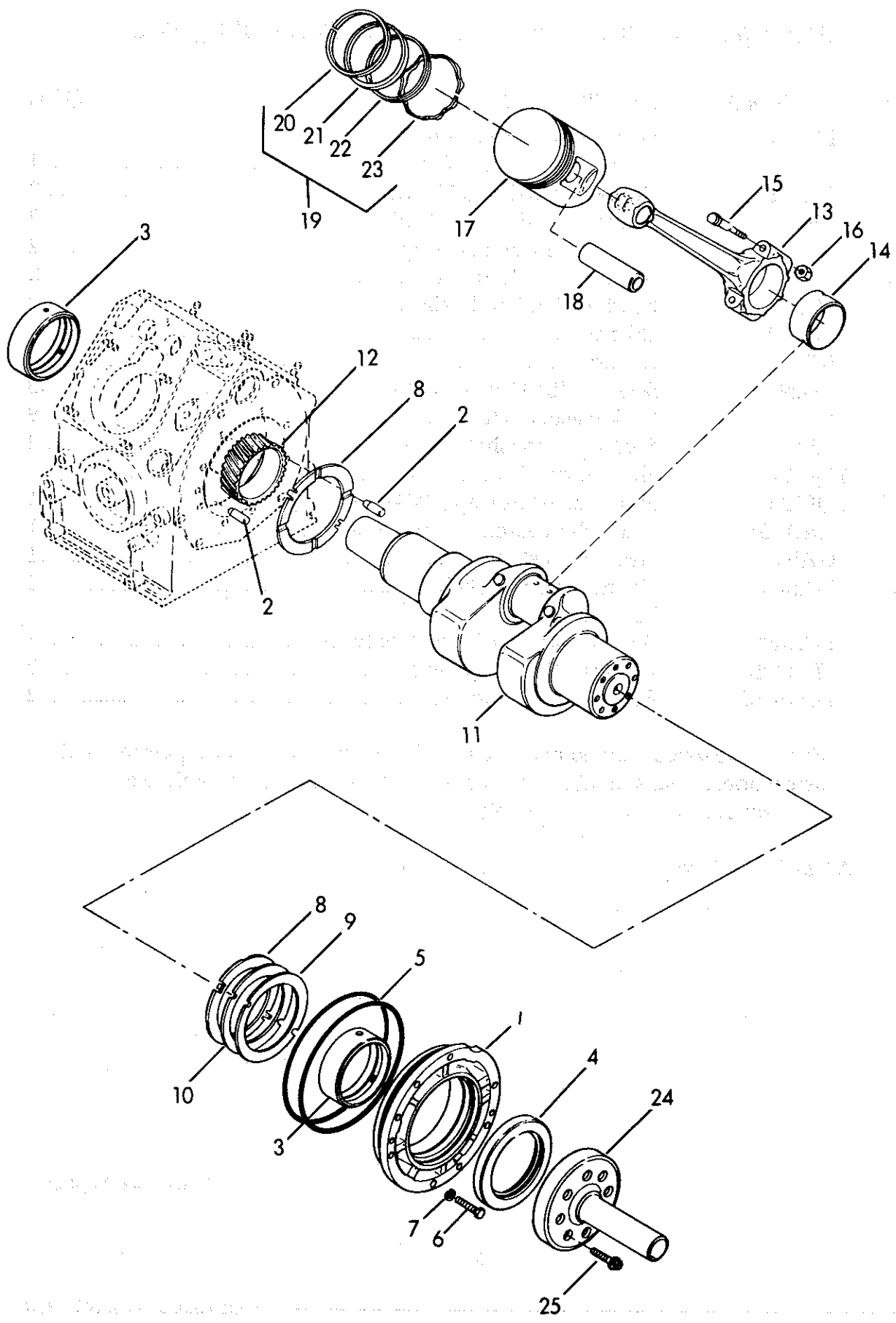
Bearing Plate, Crankshaft, Piston and Connecting Rod

ITEM	PART NO.	DESCRIPTION	QTY.
1	• BG359	Bearing plate, semi-finished, main bearing take-off end	1
2	PA472	Dowel pin .3753/.3751" dia.	2
—	PA475	Dowel pin .3853/.3851" dia.	2
		for semi-finished bearing plate.....	2
3	HG274	Bearing, standard size.....	2
	HG274S5	Bearing, .005" undersize	2
4	PH609	Oil seal.....	1
5	JK74	O-ring	2
6	XD29	Screw, 3/8"-16 x 1-1/4" long.....	8
7	PE5	Lock washer, 3/8"	8
8	HF646	Bearing, crankshaft thrust	2
9	Δ QF124	Shim, thrust bearing, .010-.012" thick	1
10	Δ QF125	Shim, thrust bearing, .004-.006" thick	1
11	CAA101	Crankshaft assembly (includes item 12)	1
12	GA50	Gear, crankshaft	1
13	DA84S1	Connecting rod, shell	2
		bearing type	
14	HA140S	Bearing, standard size (2 halves).....	2
—	HA140S10	Bearing, .010" undersize	2
—	HA140S20	Bearing, .020" undersize	2

- Must be doweled, turned and line bored with crankcase per repair manual instructions. Also available finished, when furnished with crankcase (see item 1, page 4) as an assembly.

Δ Used only if required for .005" to .012" end play.

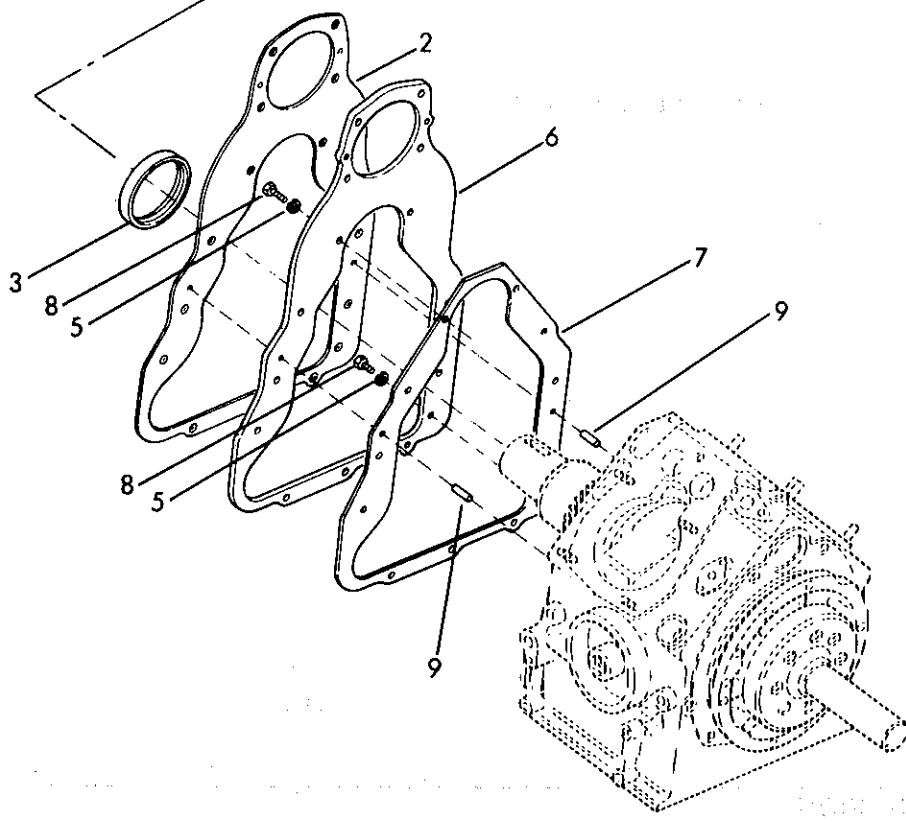
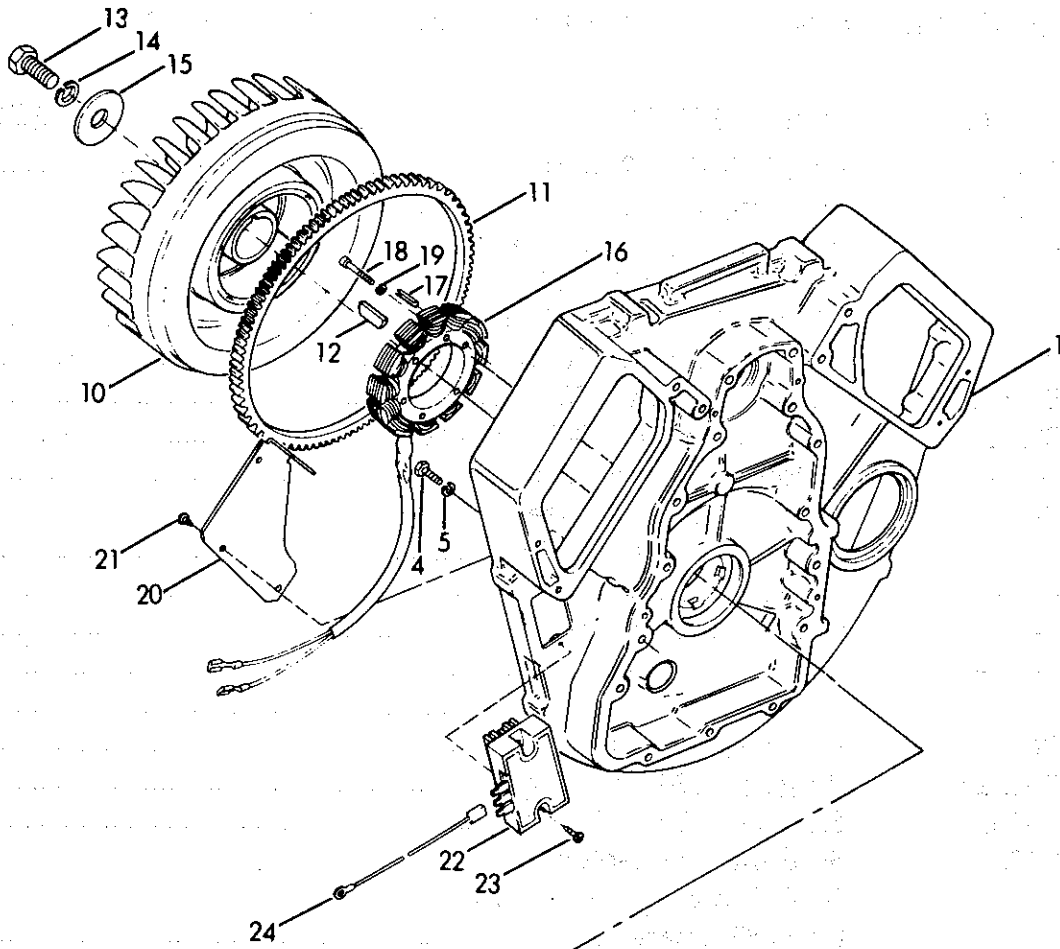
continued on page 8



Bearing Plate, Crankshaft, Piston and Connecting Rod (cont.)

ITEM	PART NO.	DESCRIPTION	QTY.
15	PB146-2	Bolt, 3/8"-24 x 2" long	4
16	PD247	Locknut, 3/8"-24	4
17	DB235SP	Piston with pin, standard size; "A" size 3.7465/3.7470 dia., "B" size 3.7471/3.7475 dia.	2
—	DB235SP10	Piston with pin, .010" oversize	2
—	DB235SP20	Piston with pin, .020" oversize	2
—	DB235SP30	Piston with pin, .030" oversize	2
18	* — — —	Piston pin, (comes with piston)	2
19	DR61	Ring set, standard size (includes items 20 - 23)	2
20	* — — —	Compression ring, top groove	1
21	* — — —	Scraper ring, 2nd groove	1
22	* — — —	Oil ring, 3rd groove	1
23	* — — —	Expander, oil ring	1
—	DR61S10	Ring set, .010" oversize	1
—	DR61S20	Ring set, .020" oversize	1
—	DR61S30	Ring set, .030" oversize	1
24	UC205	Stub shaft, take-off end 1-7/16" dia. by 4-1/2" long for 3/8" square key	1
25	XB116	Screw, 5/16"-18 x 1-1/4" long	8

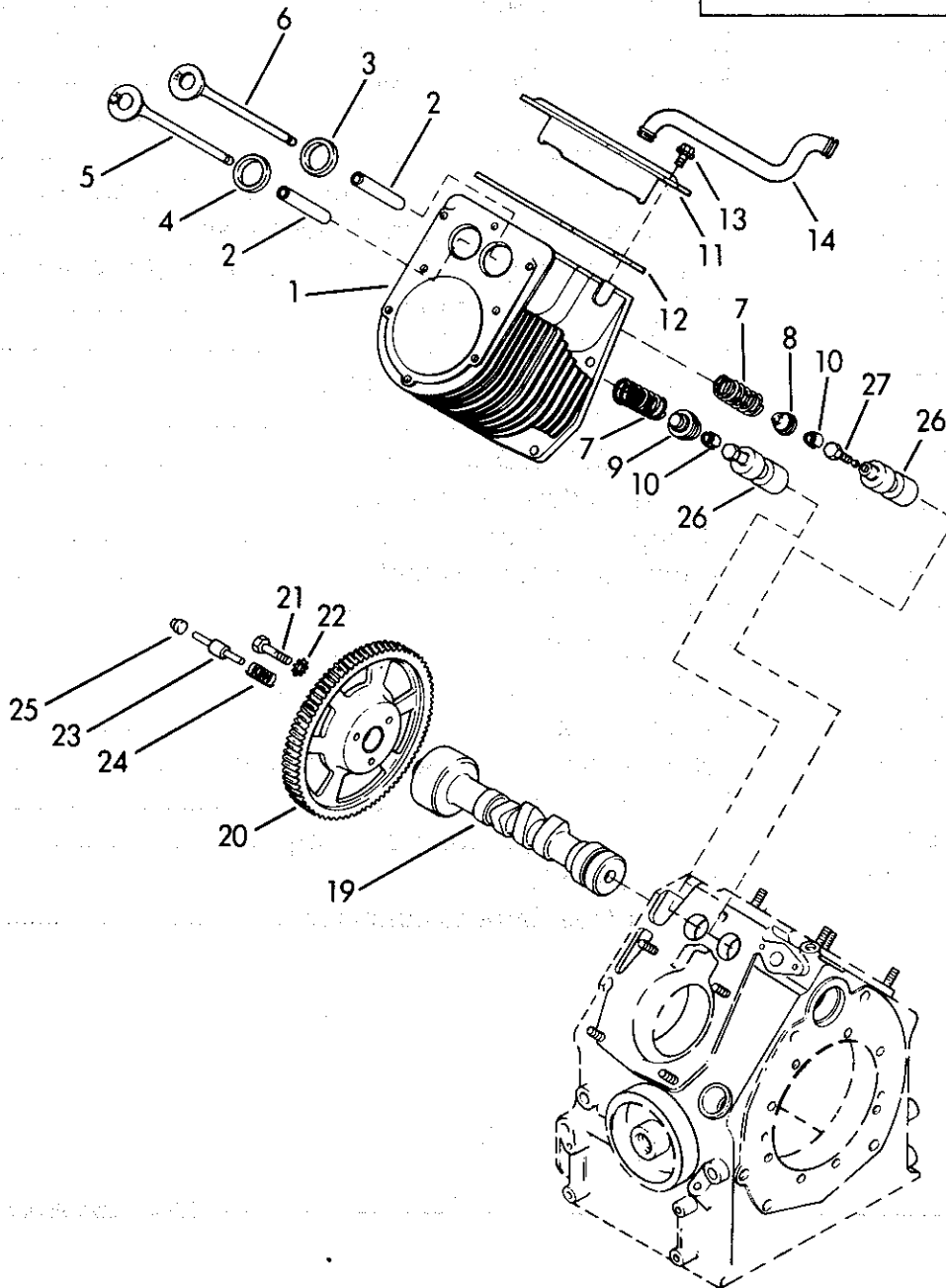
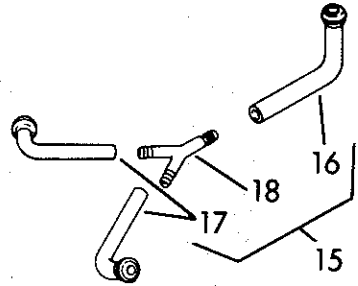
* Not serviced separately.



Gear Cover, Flywheel and ENA 130 (30 amp) Flywheel Alternator

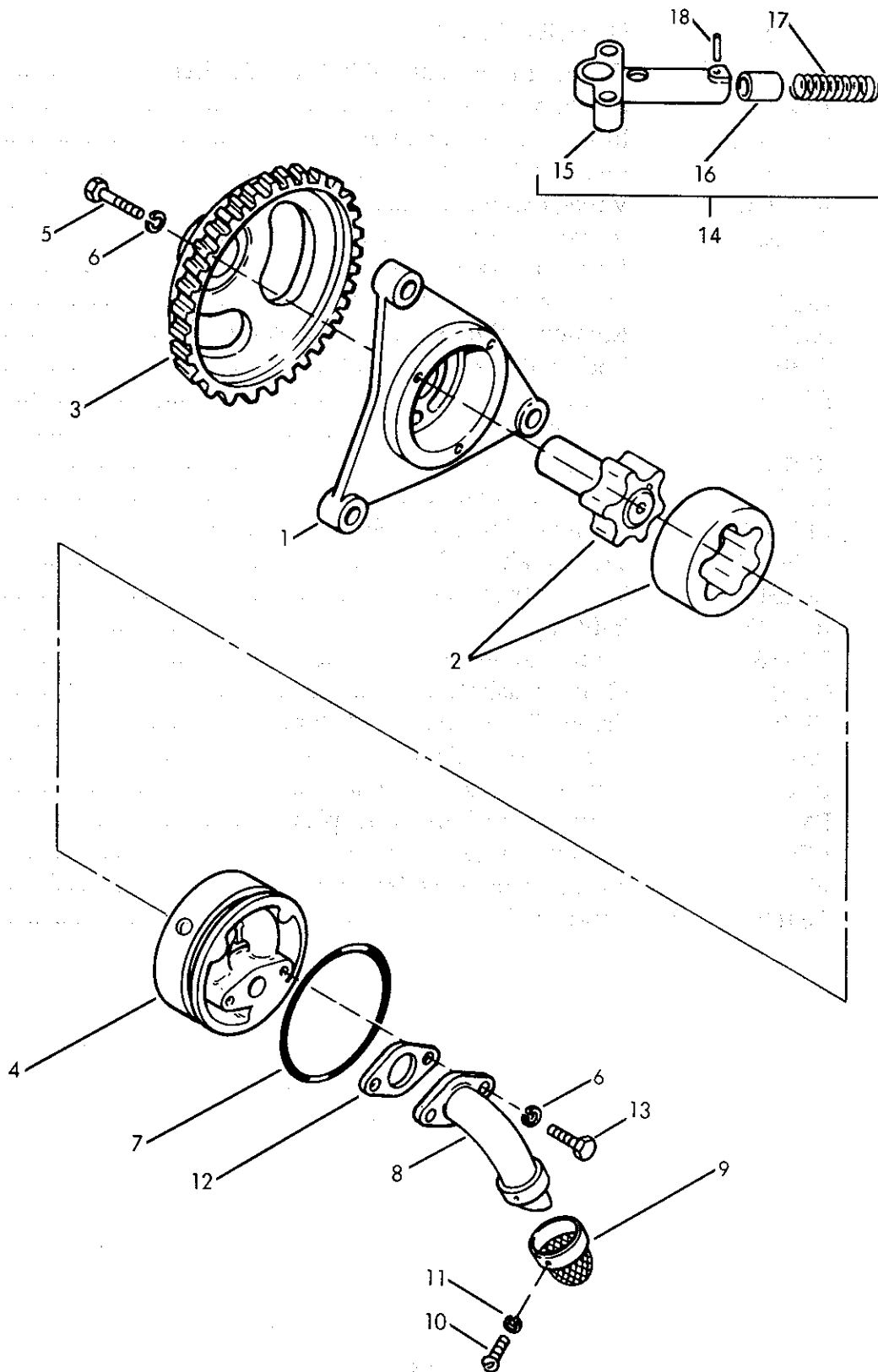
ITEM	PART NO.	DESCRIPTION	QTY.
1	BDA102	Gear cover assembly (includes bushing, dowel pin, plug, and alternator wire cover)	1
—	HG182	Bushing	1
—	PA473	Dowel pin 3/16" dia. x 3/4 "	2
—	PF52	Plug	1
—	SA163	Alternator wire cover	1
2	QD861	Gasket	1
3	PH608	Oil seal	1
4	XD23	Screw, 5/16"-18 x 2" long	11
5	PE4	Lock washer, 5/16"	14
6	WEA100	Spacer plate assembly	1
7	QD862	Gasket	1
8	XD15B	Screw, 5/16"-18 x 3/4" long	3
9	PA471	Dowel pin, 1/4" dia. x 3/4"	2
10	N114-2	Flywheel assembly, standard	1
—	N114-3	Flywheel assembly w/tap holes for stub shaft	1
—	N113-4	Flywheel assembly w/tap holes for stub shaft	1
—	N111-3	Flywheel assembly for 30 amp flywheel alternator	1
11	GH57	Ring gear, starting motor	1
12	PL17	Woodruff key, no. 13	1
13	XD51	Screw, 5/18"-11 x 1-1/4" long	1
14	PE37	Lock washer, 5/8"	1
15	PH610	Washer, 5/8" I.D. x 2-1/8" x 3/16"	1
—	ENA130	Flywheel alternator assembly 30 amp circuit (includes items 16 - 24)	1
16	YB84	Alternator stator assembly	1
17	PA340	Roll pin, 3/16" x 1-1/8" long	2
18	XB114	Screw, #10-32 x 1-1/4" long	4
19	PE14	Lock washer, #10	4
20	SA163	Cover, stator wire cavity	1
21	XA129	Screw, #10 x 1/2" long, self-tapping	3
22	YJ70	Rectifier/regulator module	1
23	XA77	Screw, #10 x 5/8" long, self-tapping	2
24	YL393-24	Wire assembly rectifier/regulator to ammeter	1

—OPTIONAL—
BREATHER CONNECTIONS FOR
REMOTE MOUNTED AIR CLEANER



Camshaft and Cylinder Block Assembly

ITEM	PART NO.	DESCRIPTION	QTY.
1	AA131B	Cylinder block assembly (includes items 2 - 10)	2
2	AD43	Guide, valve stem	4
3	HG150A	Insert, valve seat, intake	2
4	HG272D	Insert, valve seat, exhaust	2
5	AE102D	Valve, exhaust	2
6	AE103	Valve, intake	2
7	AF62	Valve spring, intake and exhaust	4
8	AG26-1	Seat, valve spring, intake	2
9	AG31	Rotator, valve/spring seat, exhaust	2
10	AH9	Lock, valve spring seat (half)	8
11	SA128B	Breather/inspection cover	2
12	QD823	Gasket	2
13	XD157	Screw, 1/4"-20 x 1/2" long	4
14	LL204	Tube, breather	2
15	LL204A	Breather line assembly (includes items 16 - 18)	1
16	LL209-2	Tube to air intake	1
17	LL204-1	Tube to breather	2
18	RF1535	Y-fitting	1
19	EA138	Camshaft, less gear	1
20	GB61	Gear, camshaft	1
21	XD19	Screw, 5/16"-18 x 1-1/4" long	3
22	PE46	Lock washer, 5/16" external tooth	3
23	PF101	Thrust plunger, camshaft	1
24	PM108	Spring, camshaft thrust plunger	1
25	PF52	Button, camshaft thrust	1
26	F73	Valve tappet w/adjusting screw	4
27	PB169A	Screw, valve tappet adjusting	4

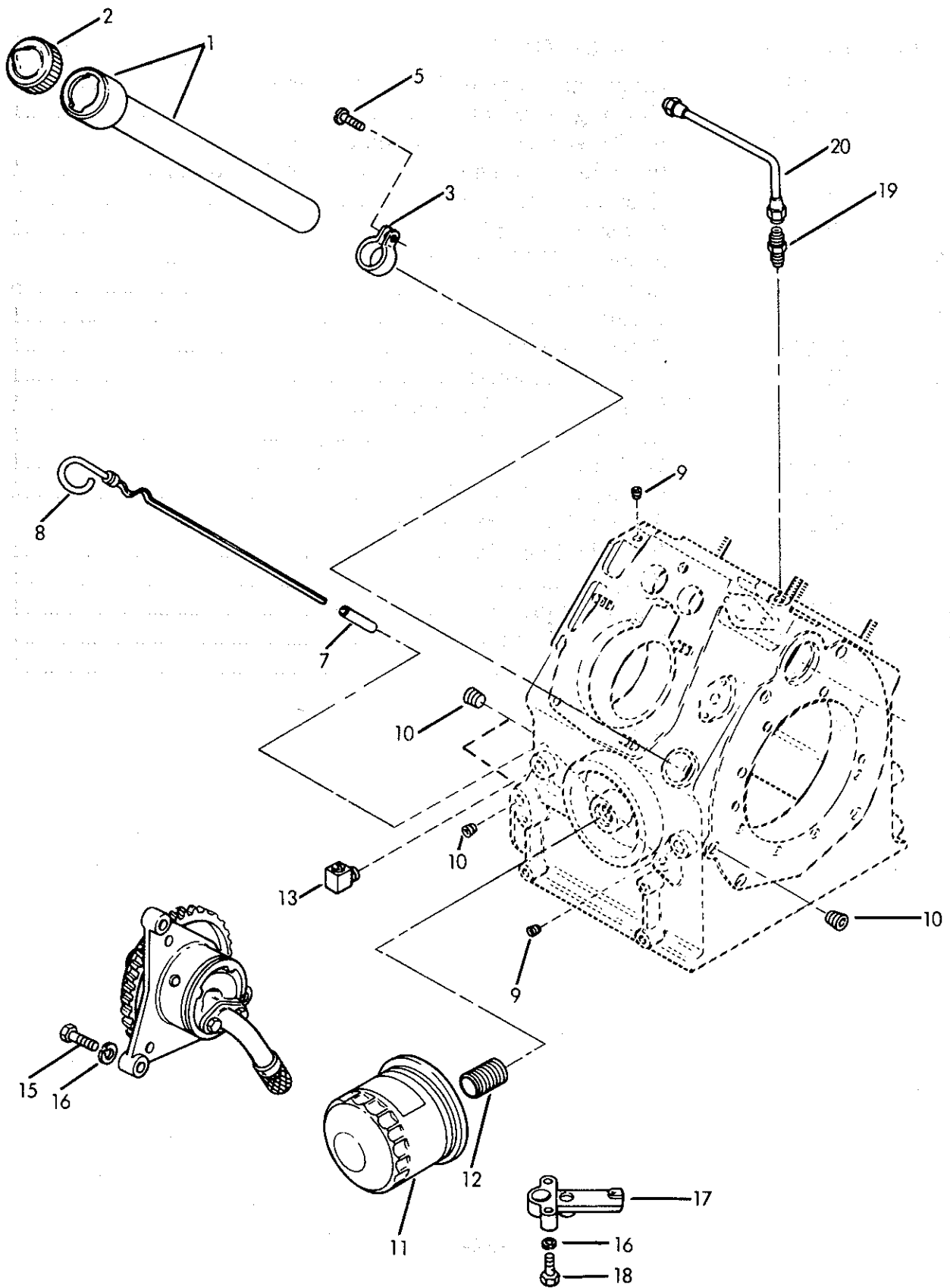


REV. AUG/90

Oil Pump and Pressure Valve Assemblies

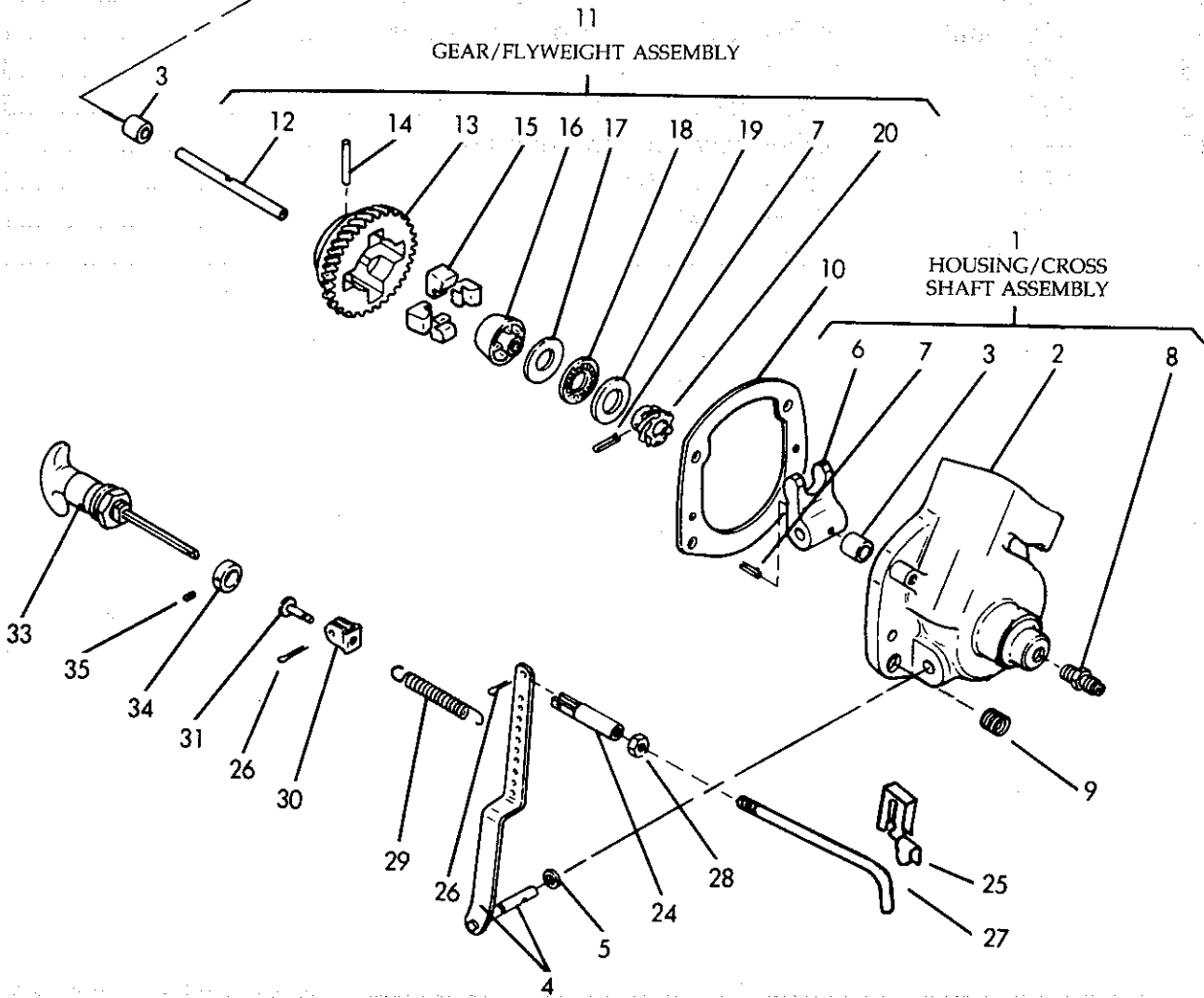
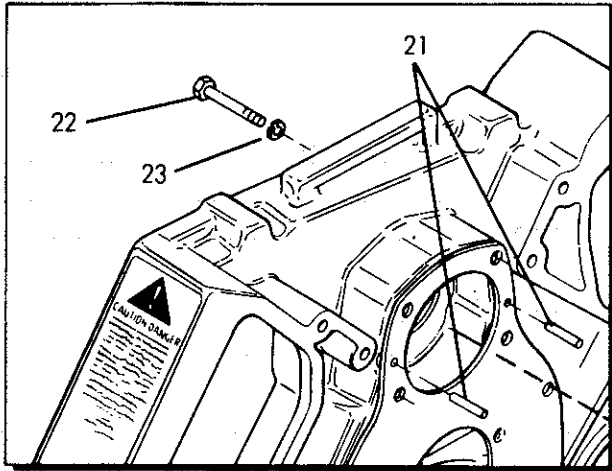
ITEM	PART NO.	DESCRIPTION	QTY.
—	KAA105	Oil pump assembly (includes items 1 - 13).....	1
1	KA74	Housing, oil pump	1
2	KDA100	Shaft/gears assembly for oil pump (includes pinion gear, rotor gear, shaft and key).....	1
3	GD148	Gear, oil pump drive.....	1
4	KB52	Cover, oil pump	1
5	XD152	Screw, 1/4"-20 x 1-3/8" long.....	3
6	PE3	Lock washer, 1/4"	5
7	JK73	O-ring	1
8	RD148	Tube assembly	1
9	RD112	Screen, oil strainer	1
10	XA7	Screw, #10-32 x 3/8" long.....	1
11	PE14	Lock washer, #10	1
12	QD864	Gasket.....	1
13	XD6	Screw, 1/4"-20 x 3/4" long	2
14	RV50	Relief valve assembly, oil pressure (includes items 15 - 18)	1
15	* — — —	Body.....	1
16	KF59	Piston, oil pressure relief valve	1
17	PM234	Spring, relief valve piston	1
18	PA408	Roll pin, 1/8" dia. x 7/8" long	1

* Not serviced separately.



Oil Filler, Dipstick, Filter, Oil Pump and Relief Valve

ITEM	PART NO.	DESCRIPTION	QTY.
1	R138	Tube assembly (mount with "Loctite", includes item 2)	1
2	RC82	Cap with gasket	1
3	PG1309	Strap, oil filler tube support	1
5	XD157	Screw, 1/4"-20 x 1/2" long	1
7	RF1495D	Tube, oil dipstick adapter, 2" long (mount with #277 "Loctite")	1
8	RJ173A	Dipstick, oil saber	1
9	PF18	Plug, 1/8"-27 pipe	2
10	PF51	Plug, 1/4"-18 pipe	4
11	RV51S4	Oil filter (standard) furnished as a 4-pack	1
—	RV53S4	Short filter	1
		(optional, not interchangeable)	
12	RF1533	Nipple for RV 51 oil filter mounting	1
—	RF1537	Nipple for RV 53 oil filter mounting	1
13	RF996	Elbow, 1/8"-27 brass, street	1
—	(Optional)	RF794, RF170A, for direct mounting	1
15	XD7	Screw, 1/4"-20 x 1" long	3
16	PE3	Lock washer, 1/4"	5
17	—	Relief valve, oil pressure (See item 14, page 14.)	1
18	XD8	Screw, 1/4"-20 x 1-1/4" long	2
19	RF269	Fitting, 1/4" tubing	1
20	RM1538	Oil line	1

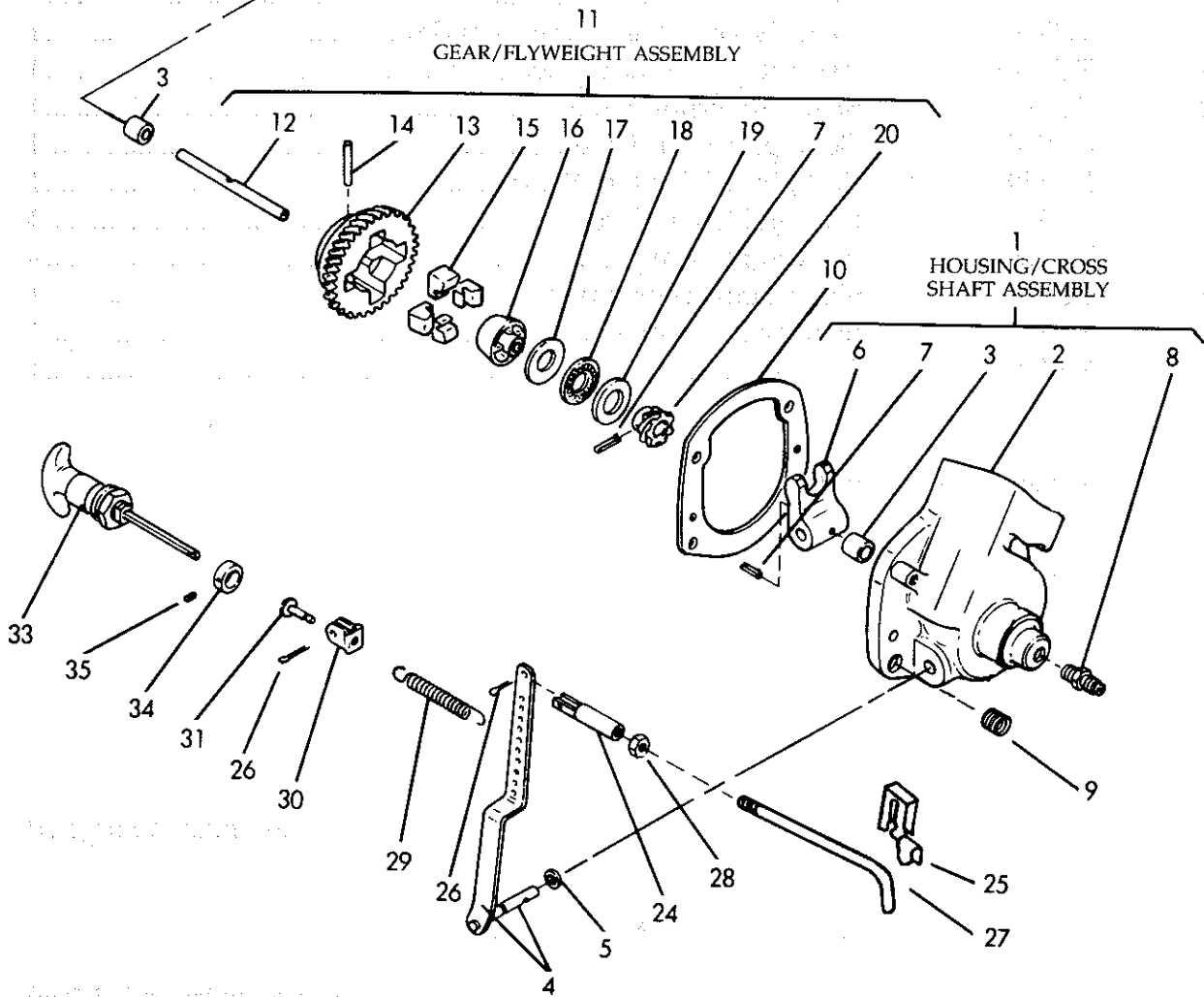
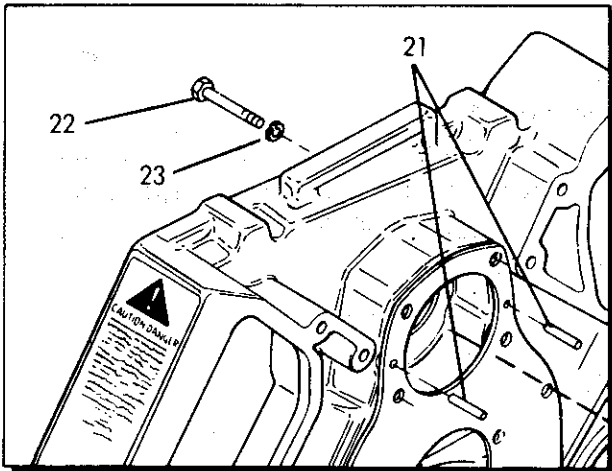


Governor Assembly

ITEM	PART NO.	DESCRIPTION	QTY.
—	T128B	Governor assembly, standard (includes items 1, 11, 12, 22 - 25, 29, 30, 31)	1
—	T128D	Governor assembly, w/heavy weights for close regulation (includes items 1, 11, 12, 22 - 25, 29, 30, 31)	1
1	T129	Housing/cross shaft assembly (includes items 2 - 9)	1
2	* — — —	Governor housing	1
3	HG182	Bushing, governor shaft	2
4	TC518	Shaft/lever assembly	1
5	JK 52	O-ring	1
6	VB263	Governor yoke	1
7	PA367	Roll pin, 1/8" x 3/4" long	2
8	RF269-2	Fitting, oil line	1
9	PH614	Insert, Heli-coil, housing hole at lever for W2-1230 and W2-1235 only	1
10	QD866	Gasket	1
11	TC519	Gear flyweight assembly, standard	1
—	TC519B	Assembly with heavy weights	1
12	TC514	Shaft, governor drive	1
13	GD149	Gear, governor drive	1
14	PA359	Roll pin, 1/8" x 1-1/4" long	1
15	TC515	Flyweight, standard	4
—	TC515B	Flyweight, heavy	4
16	TC513	Sleeve, governor thrust	1
17	PH612	Bearing race, thrust sleeve	1
18	ME227	Thrust bearing	1

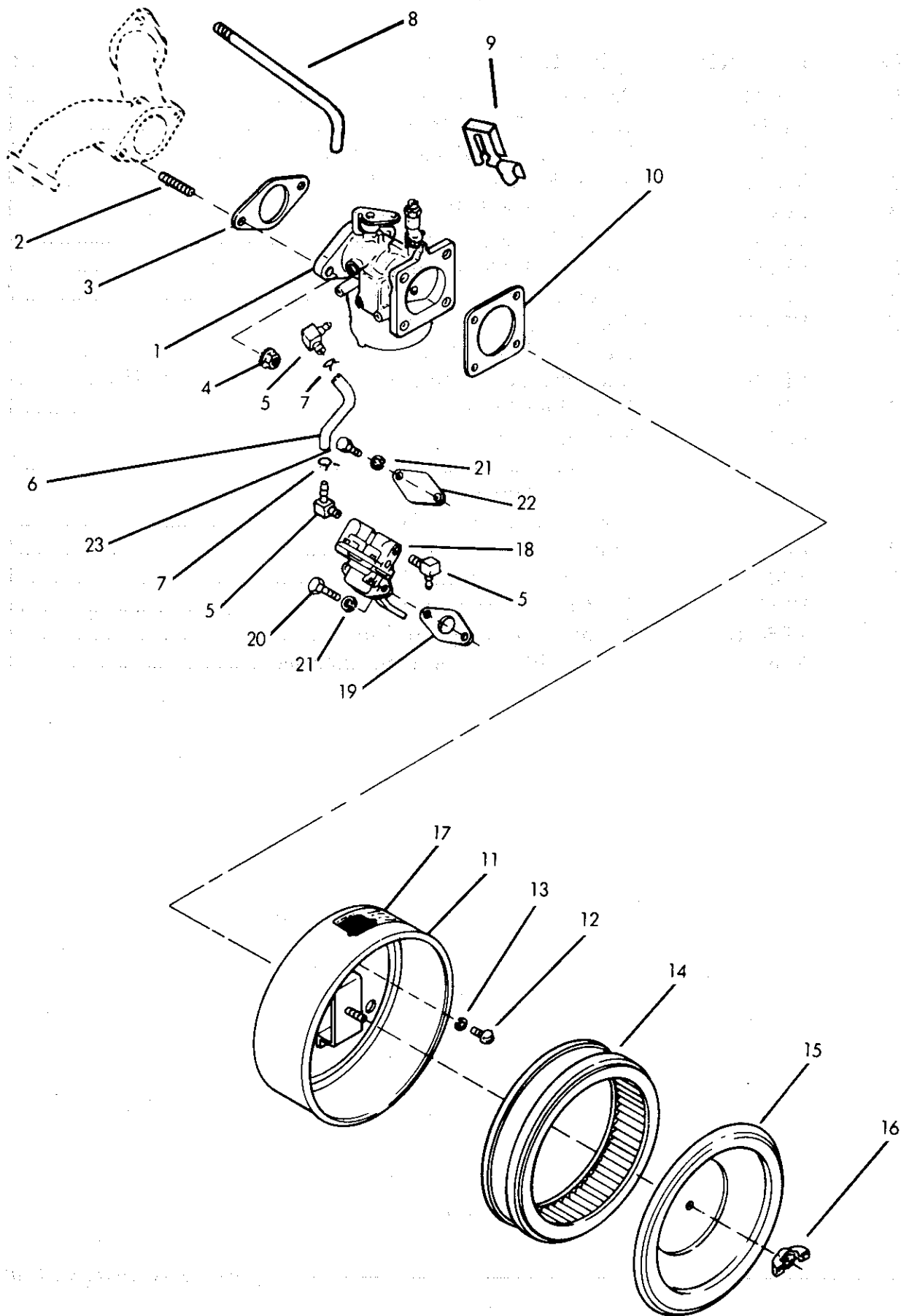
* Not serviced separately

continued on page 20



Governor Assembly (cont.)

ITEM	PART NO.	DESCRIPTION	QTY.
19	PH611	Bearing race, thrust sleeve	1
20	GF100	Gear, distributor drive	1
21	PA473	Dowel pin, 3/16" dia. x 3/4" long	2
22	XD140	Screw, 5/16"-18 x 2-1/4" long	4
23	PE4	Lock washer, 5/16"	4
24	VB264	Connector, throttle rod adjust	1
25	PK178	Rod end clip R.H., throttle rod to carburetor	1
26	XI7	Cotter pin, 3/32" x 3/4" long	2
27	VE883S1	Rod, throttle, connection to carburetor for W2-1230 and W2-1235	1
—	VE889	Rod, throttle, connection to carburetor for W2-1250	1
28	PD155	Nut, #5-40, throttle rod lock	1
29	PM235A	Spring, standard 3/8" dia. x 3" long, 53 coils	1
—	PM235B	For T128D governor 3/8" x 2-1/2" long, 57 coils	1
30	PK180	Link, governor spring	1
31	XJ66	Pin, governor spring link	1
33	VE527W	Control, governor speed	1
34	VE542B	Collar, governor control stop	1
35	XE65	Screw, #10-32 x 1/4" long Allen set	1



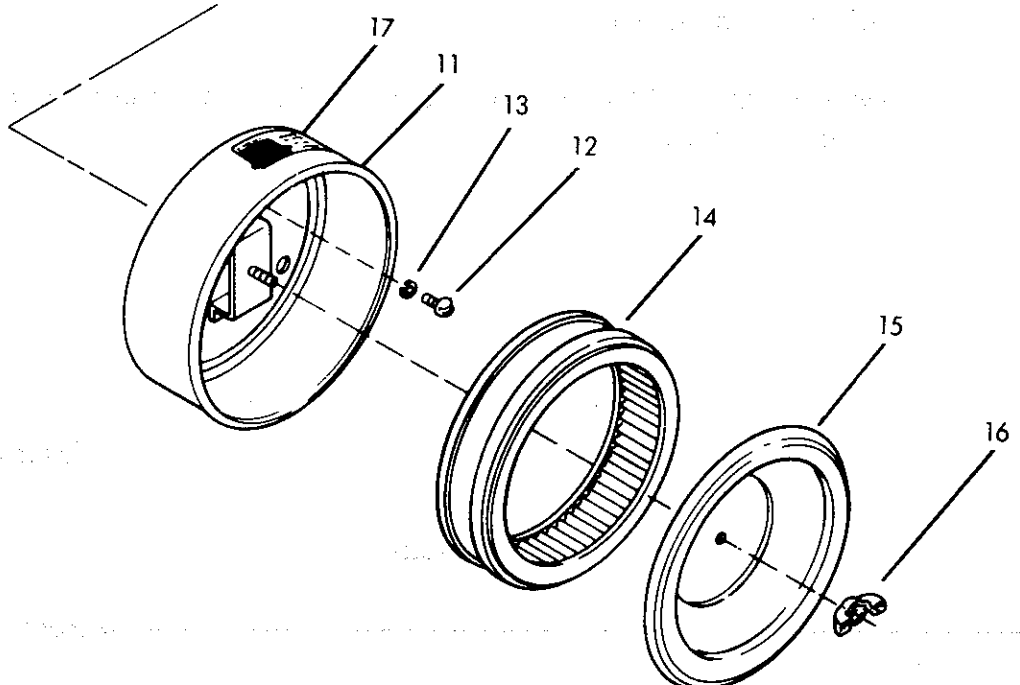
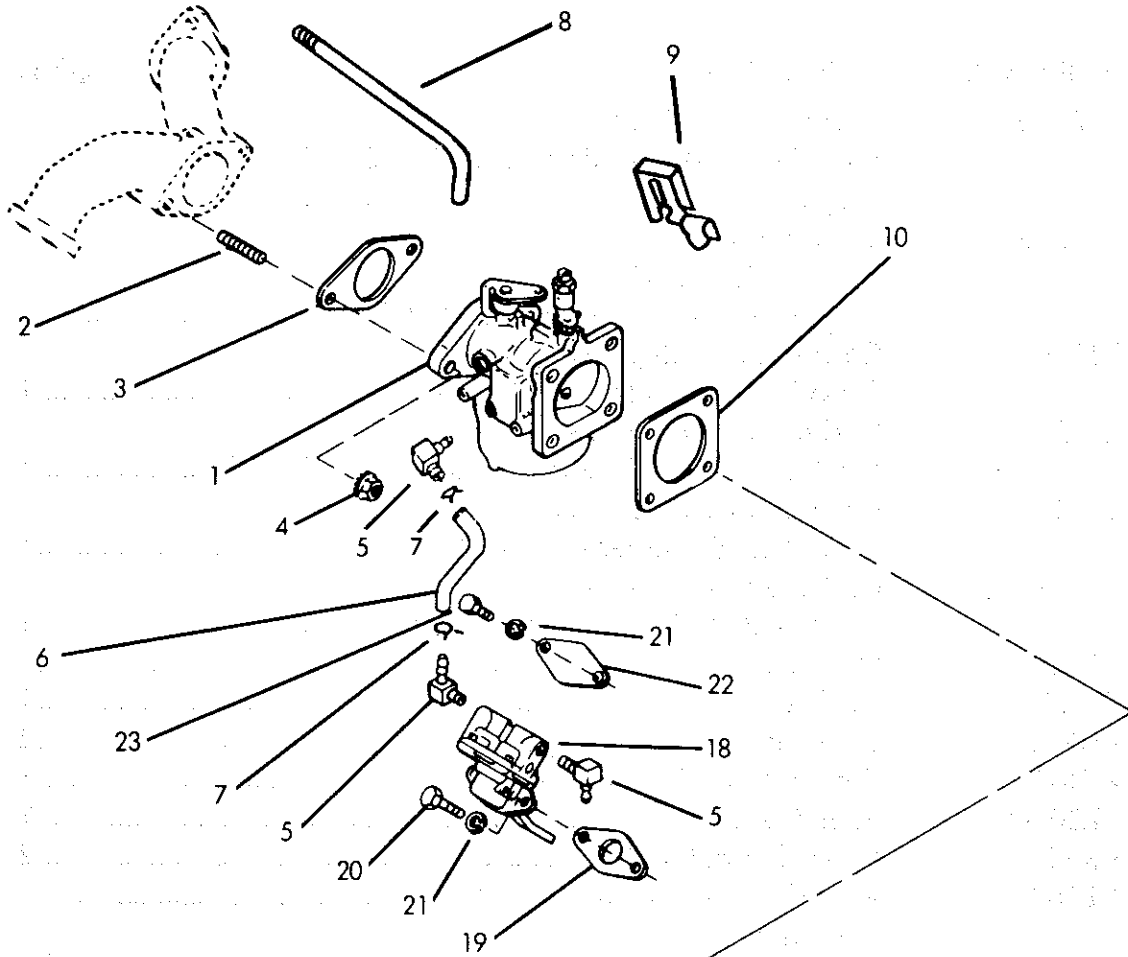
Carburetor, Air Cleaner and Fuel Pump

ITEM	PART NO.	DESCRIPTION	QTY.
1	•* L122CS1	Carburetor with gasket for W2-1250 (Beginning with S/N 6243523) (Replaces L122S1)	1
—	* L122CS2	Carburetor with gasket for W2-1230 & W2-1235 (Replaces L118S1, L119S1, & L122S2)	1
—	* L122S1	Carburetor with gasket for W2-1250 (Replaced by L122CS1)	1
—	* L122S2	Carburetor with gasket for W2-1230 & W2-1235 (Replaced by L122CS2)	1
—	* L118S1	Carburetor with gasket for W2-1235 (Replaced by L122S2)	1
—	* L119S1	Carburetor with gasket for W2-1230 (Replaced by L122S2)	1
2	PC549	Stud	2
3	QC12A	Gasket	1
4	PD256	Locknut, 5/16"-24, flange type	2
5	RF1439	Elbow, 1/4" I.D. fuel hose	3
6	LL205-8	Fuel line, 1/4" I.D. hose	1
7	LK34	Hose clamp, fuel line	2
8	VE889	Rod, throttle, carburetor and governor	1

- LZ122C carburetor (equipped with YC99 solenoid)
- When replacing an LZ122C with a L122CS1, a new YC99 solenoid can be ordered and installed or the existing solenoid can be transferred from the old carburetor to the new.

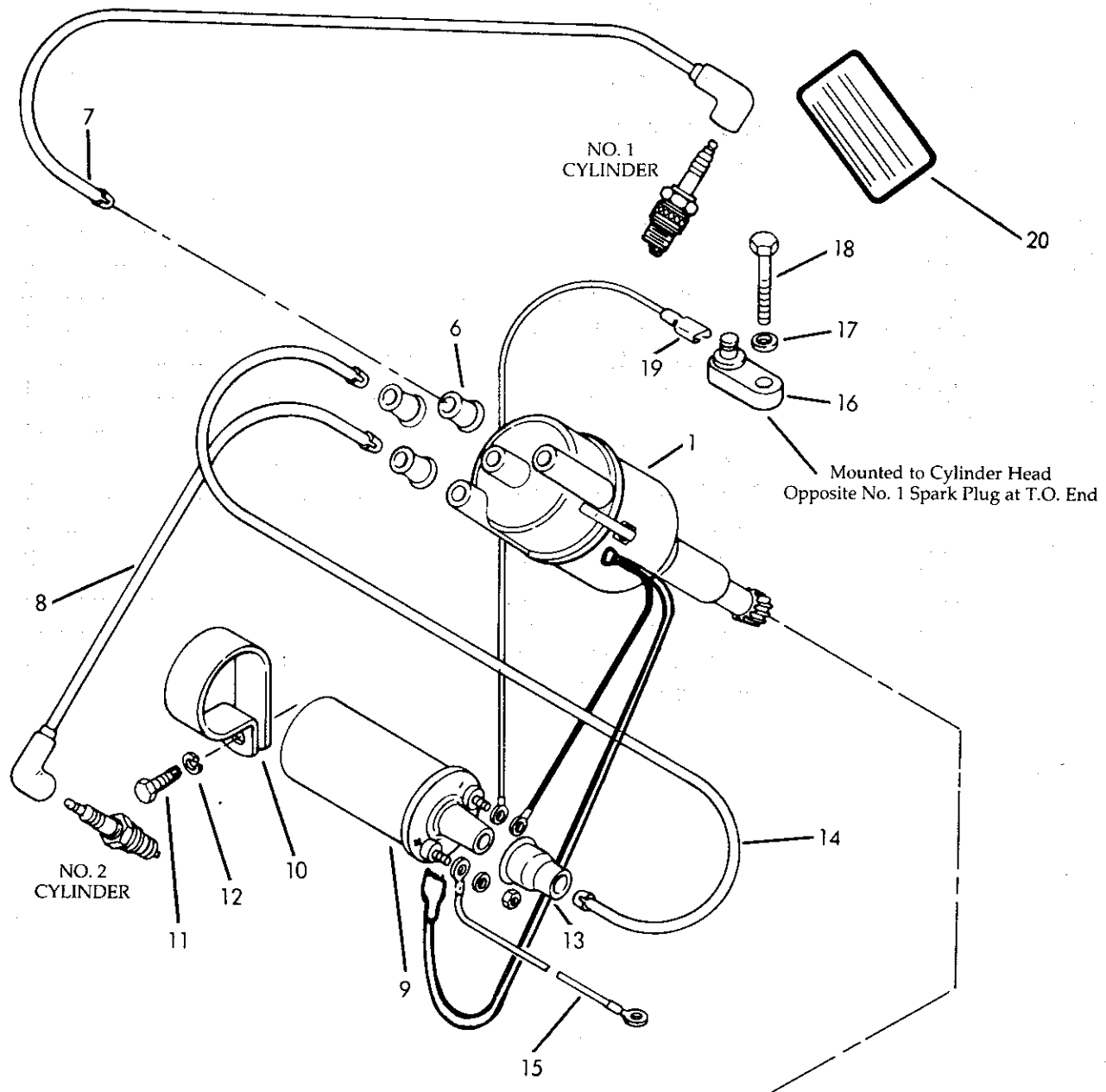
* See "Carburetors" section in Options and Accessories section of this manual for service parts.

continued on page 24

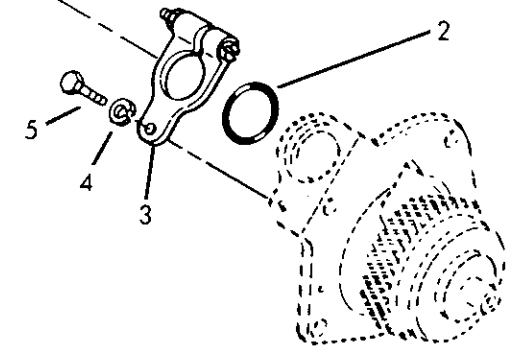
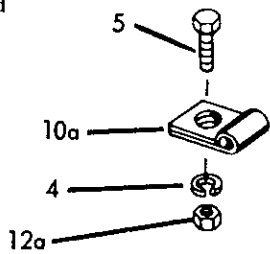


Carburetor, Air Cleaner and Fuel Pump (cont.)

ITEM	PART NO.	DESCRIPTION	QTY.
9	PK178	Rod end clip R.H., throttle rod at carburetor	1
10	QD860B	Gasket	1
11	LO203	Adapter, air cleaner housing	1
12	XA7	Screw, #10-32 x 3/8" long	2
13	PE14	Lock washer, #10	2
14	LO194A	Element, air cleaner	1
15	LO204	Cover, air cleaner adapter housing	1
16	PD147	Nut, wing lock	1
17	SD308	Decal, air cleaner instruction	1
18	LP62A4S1	Fuel pump with gasket	1
—	LQ51	Repair kit, fuel pump	1
19	QD670	Gasket, fuel pump flange	1
20	XB75	Screw, 1/4"-20 x 3/4" long	2
21	PE3	Lock washer, 1/4"	2
22	SA92	Cover, fuel pump pad	1
23	XD4	Screw, 1/4"-20 x 1/2" long	2
		for engines without fuel pump	



This mounting used
when coil is on
cleaner bracket.
See LAA 189.

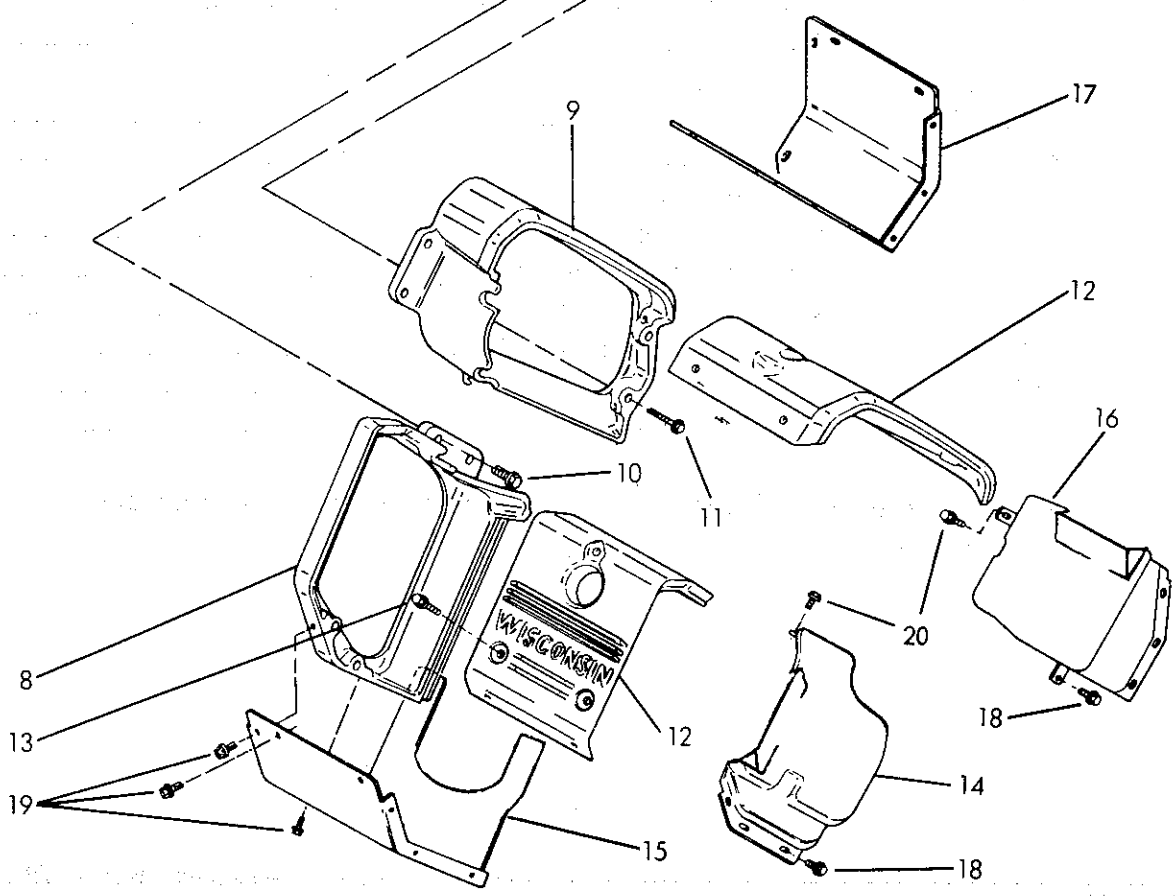
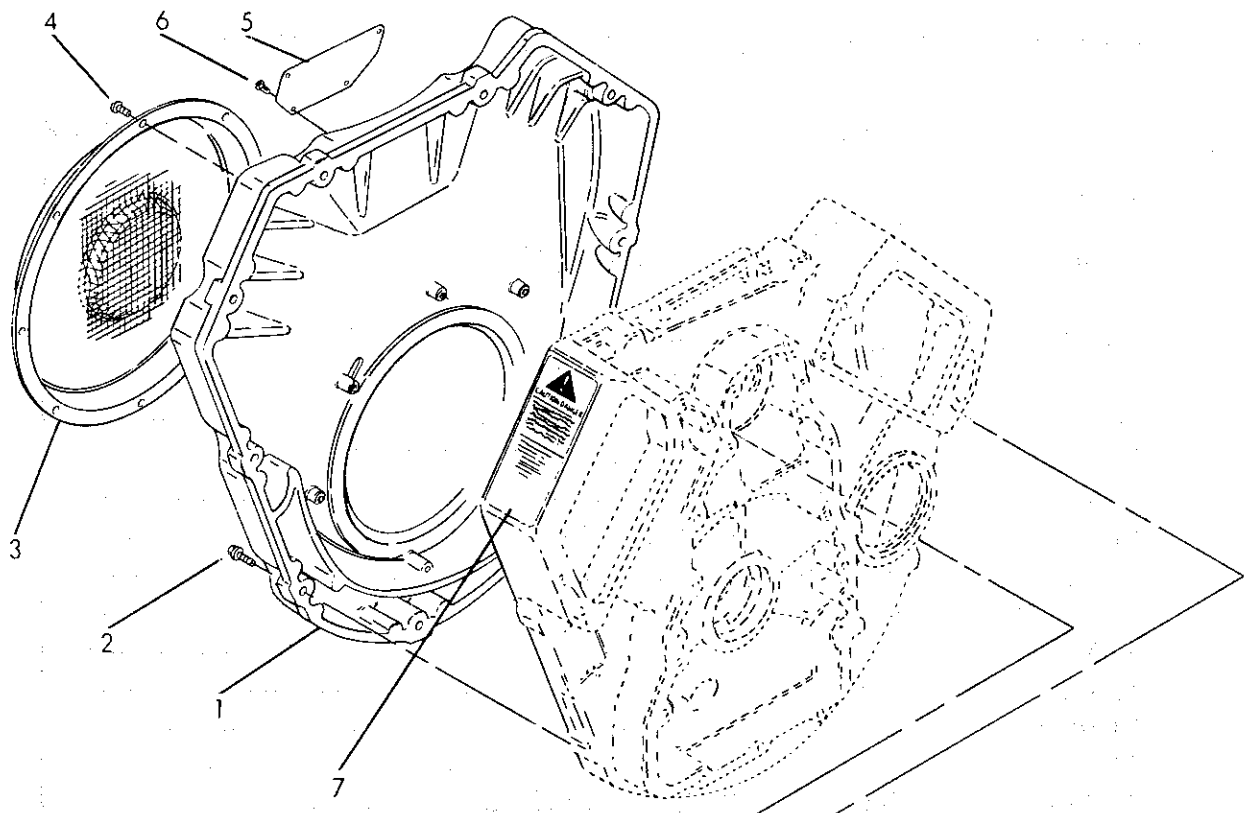


GOVERNOR DRIVE

Distributor and Ignition Coil with High Temp Safety Switch

ITEM	PART NO.	DESCRIPTION	QTY.
1	* YF51S1	Distributor, battery ignition (Per-Lux)	1
		for W2-1250	
—	* YF48S1	Distributor, battery ignition (Colt) for W2-1230 and W2-1235	1
—	* YF42S1	Distributor, battery ignition (Prestolite) for W2-1230 and W2-1235	1
2	JK59	O-ring	1
3	PG543A1	Clamp (includes clamp screw and nut)	1
4	PE3	Lock washer, 1/4" spring lock	2
5	XD4	Screw, 1/4"-20 x 1/2" long	2
6	YD20	Terminal protector	3
7	YL339-24	Cable	1
8	YL339-8	Cable	1
9	YF41AS1	Coil	1
—	YF38AS1	Coil for W2-1230 and W2-1235	1
10	PG556B	Strap	1
—	PG556	Strap for W2-1230 and W2-1235	1
10a	PG54-1	Clip, ignition, wire support	1
11	XD14	Screw, 5/16"-18 x 5/8"	1
12	PE4	Lock washer, 5/16" spring lock	1
12a	PD77	Nut, 1/4"-20	1
13	YD20A	Terminal protector	1
14	YL358-31	Cable	1
15	YL352-26	Wire (+) terminal on coil to ignition switch	1
—	YC 66DS2	Hi-temp safety switch kit (includes items 16 - 20)	1
16	YC66D	Hi-temp safety switch	1
17	PH513	Washer, switch mounting	1
18	XD33	Screw, 3/8"-16 x 2-1/4" long	1
19	YL357-42	Wire	1
20	SD233	Decal, temp switch instruction	1

* See "Distributors" in Options and Accessories section of this manual for service parts.

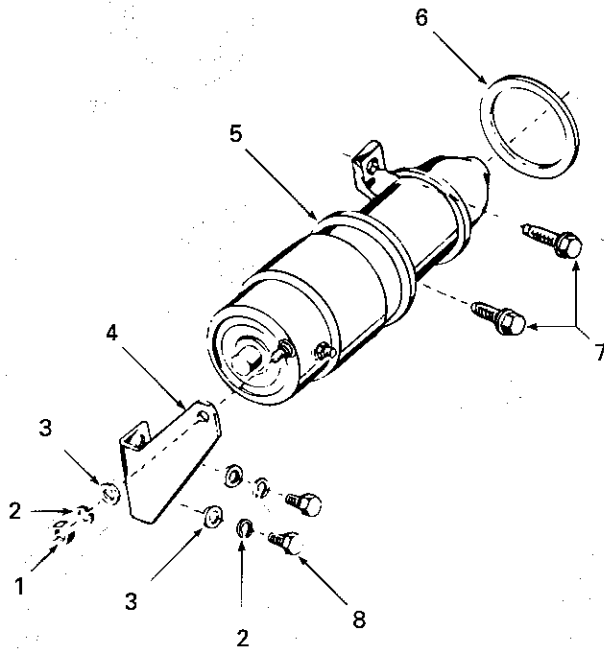


Air Shrouding

ITEM	PART NO.	DESCRIPTION	QTY.
1	SE341A	Shroud, flywheel air	1
2	XD184	Screw, 1/4"-20 x 1" long, self-tapping	10
3	SE342B	Screen, flywheel shroud (solid)	1
—	SE342C	Screen with hole for stub shaft	1
4	XA129	Screw, #10-32 x 1/2" long, self-tapping	8
5	SD318	Engine name plate (When ordering name plate, give model, specification number and serial number for correct stamping.)	1
6	XA130	Screw, #4-40 x 1/4" long	4
7	SD319	Decal, Caution-Danger	1
8	SE343	Air duct, gear cover, R.H. side	1
9	SE344	Air duct, gear cover, L.H. side	1
10	XD181	Screw, 5/16"-18 x 3/4" long	4
11	XD182	Screw, 5/16"-18 x 1-1/2" long	4
12	SE345	Cover, cylinder head	2
13	XD186	Screw, 1/4"-20 x 7/8" long, hex with L.W.	6
14	SE347A	Shroud, cylinder rear, R.H. side	1
—	SE347	Shroud, cylinder rear, R.H. side for W2-1230 and W2-1235	1
15	SE348A	Shroud, cylinder side, R.H. side	1
—	SE348	Shroud, cylinder side, R.H. side for W2-1230 and W2-1235	1
16	SE349A	Shroud, cylinder rear, L.H. side	1
—	SE349	Shroud, cylinder rear, L.H. side for W2-1230 and W2-1235	1
17	SE350A	Shroud, cylinder side, L.H. side	1
—	SE350	Shroud, cylinder side, L.H. side for W2-1230 and W2-1235	1
18	XD157	Screw, 1/4"-20 x 1/2" long, hex with L.W.	7
19	XD180	Screw, 1/4"-20 x 1/2" long, self-tapping, hex head, washer type	8
20	XD188	Screw, 1/4"-20 x 3/8" long, self-tapping, hex head, washer type	2

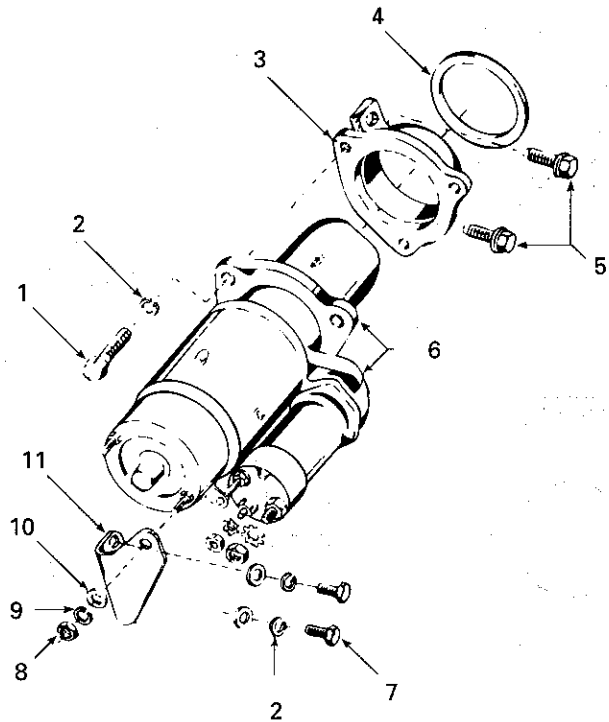
EEA120 Starting Motor Assembly

USE WITH MODEL W2-1250



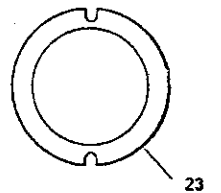
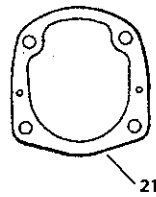
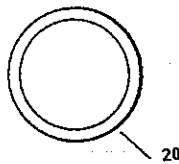
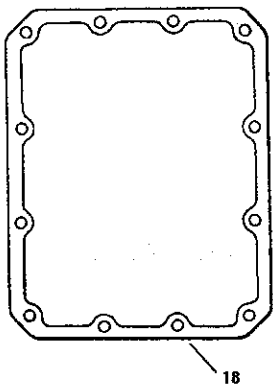
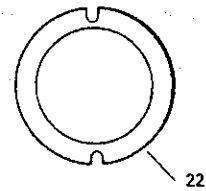
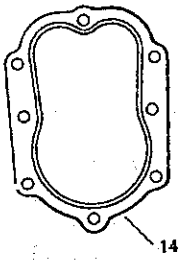
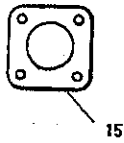
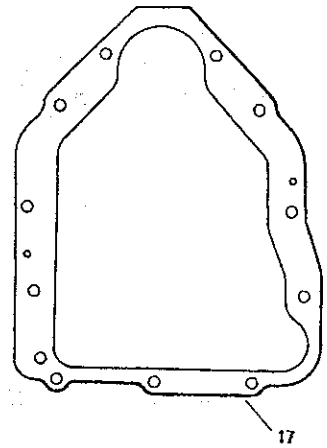
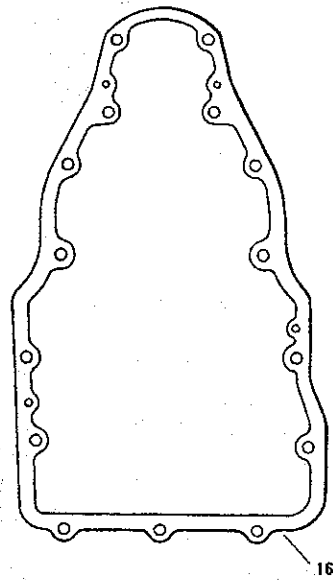
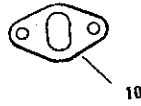
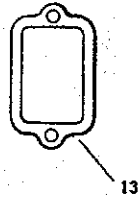
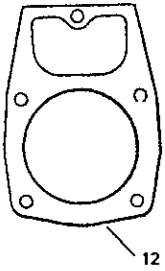
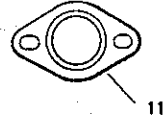
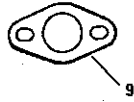
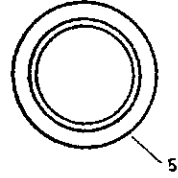
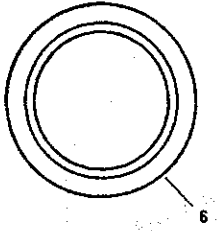
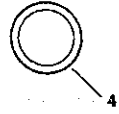
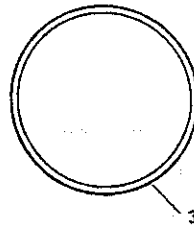
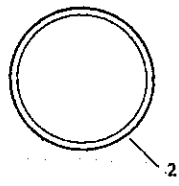
EEA122 Starting Motor With Solenoid Switch

USE WITH MODEL W2-1250



ITEM	PART NO.	DESCRIPTION	QTY	ITEM	PART NO.	DESCRIPTION	QTY
1	PD77	Nut, 1/4"-20 thread	1	1	XD28	Screw, 3/8"-16 thread x 1-1/8" long	3
2	PE3	Lock washer, 1/4"	3	2	PE5	Lock washer, 3/8"	5
3	PH196	Washer, 1/4"	3	3	BG360	Adaptor	1
4	PG1308	Bracket	1	4	QD865	Gasket	1
5	*YA59	Starting motor, 12 volt, Prestolite MHA7019	1	5	XD185	Screw, 3/8"-16 thread x 1-1/4" long	2
6	QD865	Gasket	1	6	*YA53B1	Starting motor, 12 volt (replaces YA53A1)	1
7	XD185	Screw, 3/8"-16 thread x 1-1/4" long	2	7	XD29	Screw, 3/8"-16 thread x 1-1/4" long	2
8	XD6	Screw, 1/4"-20 thread x 3/4" long	2	8	PD77	Nut, 1/4"-20 thread	1
				9	PE3	Lock washer, 1/4"	1
				10	PH196	Washer, 1/4"	3
				11	PG1313	Bracket	1

* See "Starters" in Options and Accessories section of this manual for service parts.



Engine Gasket Set

ITEM	PART NO.	DESCRIPTION	QTY.
—	Q54	Gasket set, engine (includes items 1-23)	1
1	JK52	O-Ring Seal, governor cross shaft, 3/16 I.D.	1
2	JK73	O-Ring seal, oil pump cover, 3 inch I.D.	1
3	JK74	O-Ring Seal, main bearing plate, 6-1/4 I.D.	2
4	JK59	O-Ring Seal, distributor body, 1-1/16 I.D.	1
5	PH608	Oil Seal, crankshaft, gear cover end, 2-1/2 I.D.	1
6	PH609	Oil Seal, crankshaft, take-end, 3-1/4 I.D.	1
7	QB86	Gasket, exhaust & inlet manifold port (W2-1230/1235 only)	2
8	QB87	Gasket, exhaust & inlet manifold port (W2-1250 only)	2
9	QC12A	Gasket, carburetor	1
10	QD670	Gasket, fuel pump flange	1
11	QD727	Gasket, exhaust flange	3
12	QD818B	Gasket, cylinder base	2
13	QD823	Gasket, breather cover	2
14	QD847	Gasket, cylinder head	2
15	QD860B	Gasket, air cleaner housing (W2-1250 only)	1
	QD860A	Gasket, air cleaner housing (W2-1230/1235 only)	1
16	QD861	Gasket, gear cover	1
17	QD862	Gasket, spacer plate	1
18	QD863	Gasket, oil pan	1
19	QD864	Gasket, oil pick-up tube	1
20	QD865	Gasket, starting motor	1
21	QD866	Gasket, governor housing	1
22	QF124	Shim, thrust bearing, .012" thick	1
23	QF125	Shim, thrust bearing, .006" thick	1
—	Q53	Gasket set, valve grinding (W2-1250 only) (includes items 8, 9, 12, 13, 14, 15-B)	1
—	Q49	Gasket set, valve grinding (W2-1230/1235) (includes items 7, 9, 12, 13, 14, 15-A)	1

