

## *Important Notice*

The manuals contained in this computer file are reproductions from the “Wisconsin Engine” counter catalog, part number “S236”. This manual was last produced in the mid 1980’s.

As with any printed data, the information contained in these manuals may not be the most up-to-date available. It is provided as a convenience to our customers and all information should be verified before making repairs to an engine or component.

All service parts are sold through our Distributor Network. Visit our website ([www.wisconsinmotors.com](http://www.wisconsinmotors.com)) to locate a distributor near you.



**Wisconsin  
Motors, LLC**

Sales Office

2020 Fletcher Creek Drive - Memphis, TN 38133

Phone (901) 371-0353 Toll Free 800-932-2858

[www.wisconsinmotors.com](http://www.wisconsinmotors.com)

FIG. 1 FUEL TANK GROUP

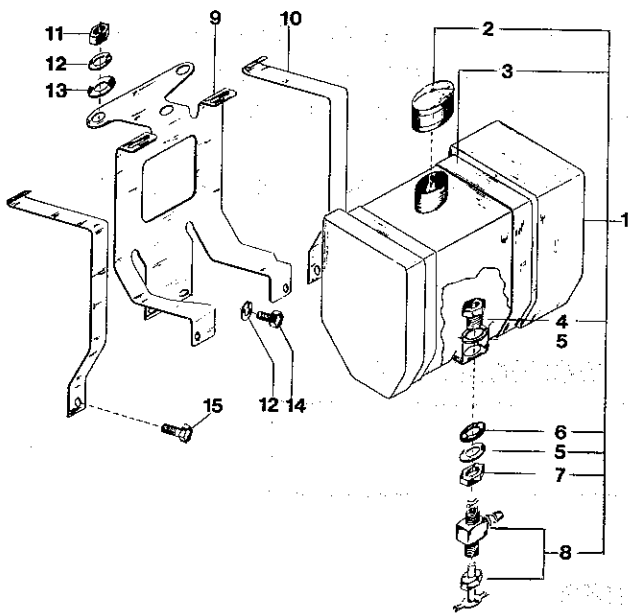


FIG. 2 FLYWHEEL — IGNITION GROUP

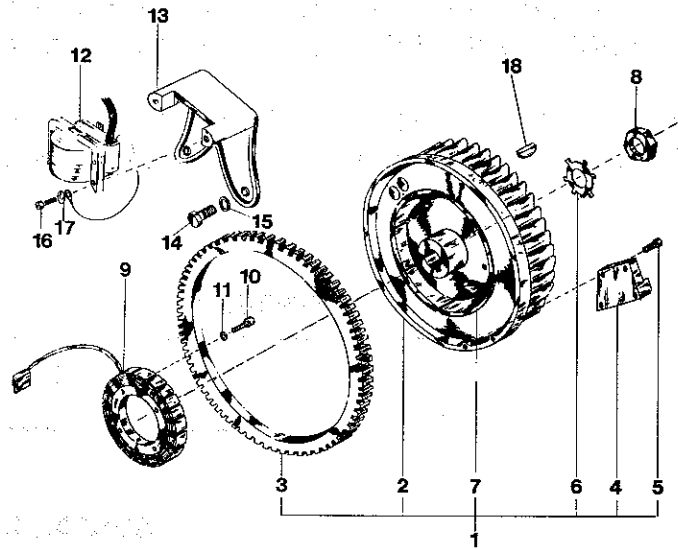


FIG. 1 FUEL TANK GROUP

REF. NO.	PART NUMBER	DESCRIPTION	QTY.
1	10A01-6002	Fuel Tank assembly (includes items 2 thru 8)	1
2	10L01-4009	Cap, fuel tank	1
3	10L01-4010	Insulator Band, fuel tank	2
4	10P01-4040	Sleeve, fuel tank	1
5	10P01-4037	Washer, fuel tank sleeve, plain	2
6	10P01-4038	Washer, fuel tank sleeve, neoprene	1
7	10P01-4039	Nut, fuel tank sleeve, 5/8" - 18 hexjam	1
8	10L01-4006	Valve, shut-off	1
9	10B01-4002	Bracket, fuel tank	1
10	10B01-4004	Strap, fuel tank	2
11	10P01-4029	Nut, fuel tank bracket mounting, 3/8" - 16	3
12	10P01-4014	Lockwasher, fuel tank bracket mounting, 3/8" springlock	5
13	10P01-4032	Washer, fuel tank bracket mounting, 13/32" plain	3
14	10X01-4021	Screw, fuel tank bracket mounting, 3/8" x 3/4" long - hex head cap	2
15	10X01-4011	Screw, fuel tank strap mounting, 1/4"-20 x 1/2" long - cap	2

FIG. 2 FLYWHEEL - IGNITION GROUP

REF. NO.	PART NUMBER	DESCRIPTION	QTY.
		(Equipment for Electric Start)	
1	10A01-6006	Flywheel assembly electric start (includes items 2 thru 7)	1
2	10N01-2001	Flywheel recoil start	1
3	10G01-4002	Ring Gear	1
4	10Y01-4002	Magnet Insert, flywheel	1
5	10X01-4020	Screw, magnet insert mounting, 1/4"-20 x 1 1/4" long	2
6	10P01-4016	Lockwasher, flywheel mounting, 1 5/32" external tooth	1
7		Magnet, stator-alternator (not serviced separately)	6
8	10P01-4011	Nut, flywheel mounting, 1 1/8" - 12	1
9	10Y01-4011	Stator-Alternator	1
10	10X01-4013	Screw, stator-alternator mounting, #10-32 x 3/4" long	4
11	10P01-4006	Lockwasher, stator-alternator mounting, #10	4
12	10Y01-4001	Ignition Module	1
13	10B01-2002	Bracket, ignition module	1
14	10X01-4015	Screw, ignition bracket mounting, 1/4" - 20 x 3/4" long	2
15	10P01-4027	Washer, ignition bracket mounting, 17/64" plain	2
16	10P01-4042	Screw, ignition module mounting, #8 - 32 x 1/4" long	2
17	10P01-4043	Lockwasher, ignition module mounting, #8	2
18	10P01-4024	Flywheel Key	1
		(Equipment for Recoil Start)	
•	10A01-6005	Flywheel assembly (items 2, 4, 5, 6)	1

FIG. 3 CRANKCASE AND CYLINDER HEAD GROUP

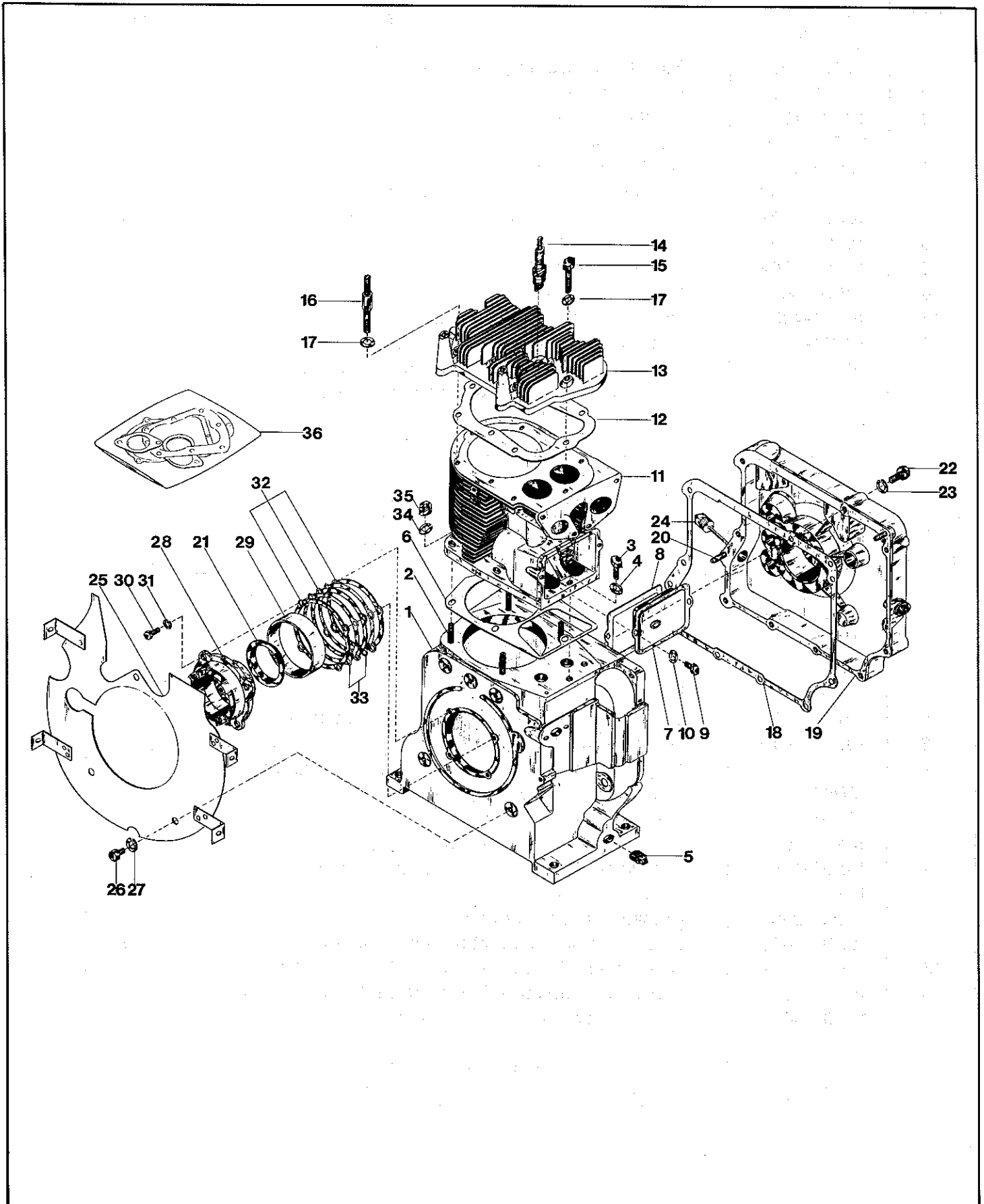


FIG. 3 CRANKCASE AND CYLINDER HEAD GROUP

NOTE: ITEMS WITHOUT A PART NUMBER ARE NOT SOLD SEPARATELY

REF. NO.	PART NUMBER	DESCRIPTION	QTY.
1	10B01-5002	Crankcase assembly (includes items 2 thru 5)	1
2	10P01-4009	Stud, cylinder block mounting, 7/16" - 20 x 1 5/8" long	4
3	10X01-4019	Screw, cylinder block mounting, 3/8" - 16 x 1/2" long	1
4	10P01-4041	Washer, cylinder block mounting, 25/64" plain	1
5	10X01-4012	Drain Plug	2
6	10Q01-4006	Gasket, cylinder block	1
7	10R01-4002	Inspection Cover	1
8	10Q01-4007	Gasket, inspection cover	1
9	10X01-4006	Screw, inspection cover mounting, 1/4" - 20 x 1/2" long	2
10	10P01-4012	Lockwasher, inspection cover mounting, 1/4" springlock	2
11	10A01-5001	Cylinder Block (includes valve guides and valves seats, See Fig. 4)	1
12	10Q01-4001	Gasket, cylinder head	1
13	10A01-2011	Cylinder Head	1
14	10Y01-4005	Spark Plug, 14mm	1
15	10X01-4010	Screw, cylinder head mounting, 3/8" - 16 x 1 3/4" long	5
16	10P01-4028	Stud, cylinder head-fuel tank mounting, 3/8"x3 13/32" long	3
17	10P01-4019	Washer, cylinder head mounting, 13/32" hardened	8
18	10Q01-4008	Gasket, gear cover	1
19	10B01-5004	Gear Cover assembly [without balancer] (includes items 20 and 21)	1
20	10P01-4007	Dowel Pin, gear cover	2
21	10P01-4020	Oil Seal 1 - for gear cover / 1 - for bearing plate	2
22	10X01-4008	Screw, gear cover mounting, 5/16" - 18 x 1 3/4" long	9
23	10P01-4013	Lockwasher, gear cover mounting, 5/16" springlock	9
24	10R01-5001	Oil Filler - Dipstick	1
25	10S01-4018	Back Plate, (electric start)	1
	10S01-4015	Back Plate, (recoil start)	1
26	10X01-4006	Screw, back plate mounting, 1/4" - 20 x 1/2" long	3
27	10P01-4012	Lockwasher, back plate mounting, 1/4" springlock	3
28	10B01-5003	Bearing Plate assembly (includes items 21 and 29)	1
29	10M01-4001	Bearing Cup, bearing plate	1
30	10X01-4007	Screw, bearing plate mounting, 5/16" - 18 x 1" long	4

FIG. 3 CRANCKCASE AND CYLINDER HEAD GROUP

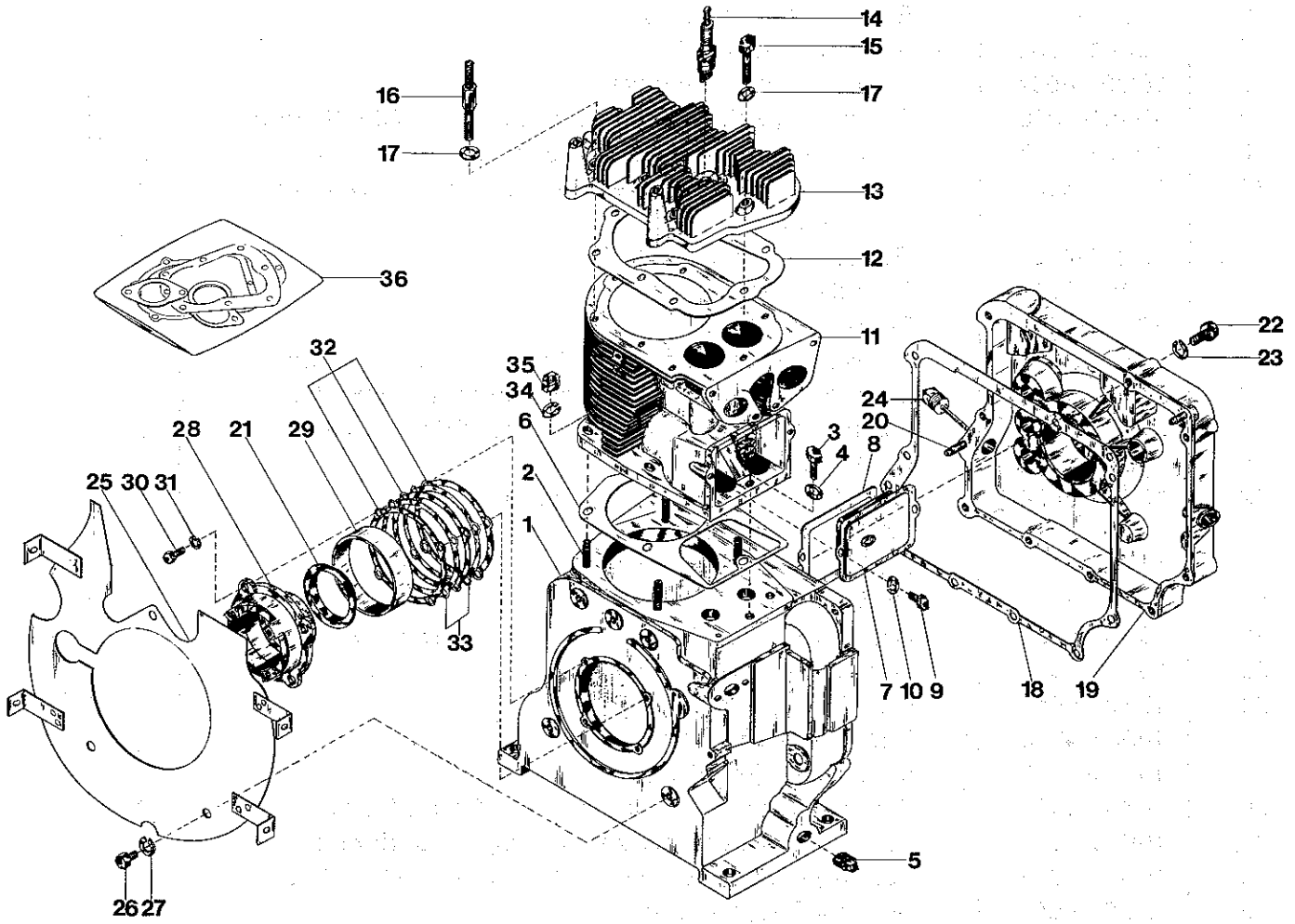


FIG. 3 CRANKCASE AND CYLINDER HEAD GROUP CONT'D

REF. NO.	PART NUMBER	DESCRIPTION	QTY.
31	10P01-4013	Lockwasher, bearing plate mounting, 5/16" springlock	4
32	10Q01-4005	Gasket, bearing plate (paper) .003" - .004" thick - use as required to give .002" to .005" crankshaft endplay	2-4
33	10Q01-4009	Shim, bearing plate (steel), .010" thick	3
34	10P01-4015	Lockwasher, cylinder block mounting, 7/16" springlock	4
35	10P01-4010	Nut, cylinder block mounting, 7/16" - 20	4
36	10A01-7002	Engine Gasket Set, includes	
		10Q01-4001 Cylinder Head gasket	1
		10Q01-4002 Exhaust Flange gasket	1
		10Q01-4003 Air Cleaner gasket	1
		10Q01-4004 Carburetor gasket	2
		10Q01-4005 Bearing plate (paper) gasket	4
		10Q01-4006 Cylinder Block gasket	1
		10Q01-4007 Inspection Cover gasket	1
		10Q01-4008 Gear Cover gasket	1
		10Q01-4009 Bearing Plate (steel) shim	3
		10Q01-4010 Fuel Pump Flange gasket	1

FIG.4 CRANKSHAFT, CAMSHAFT, PISTON, ROD AND VALVE GROUP

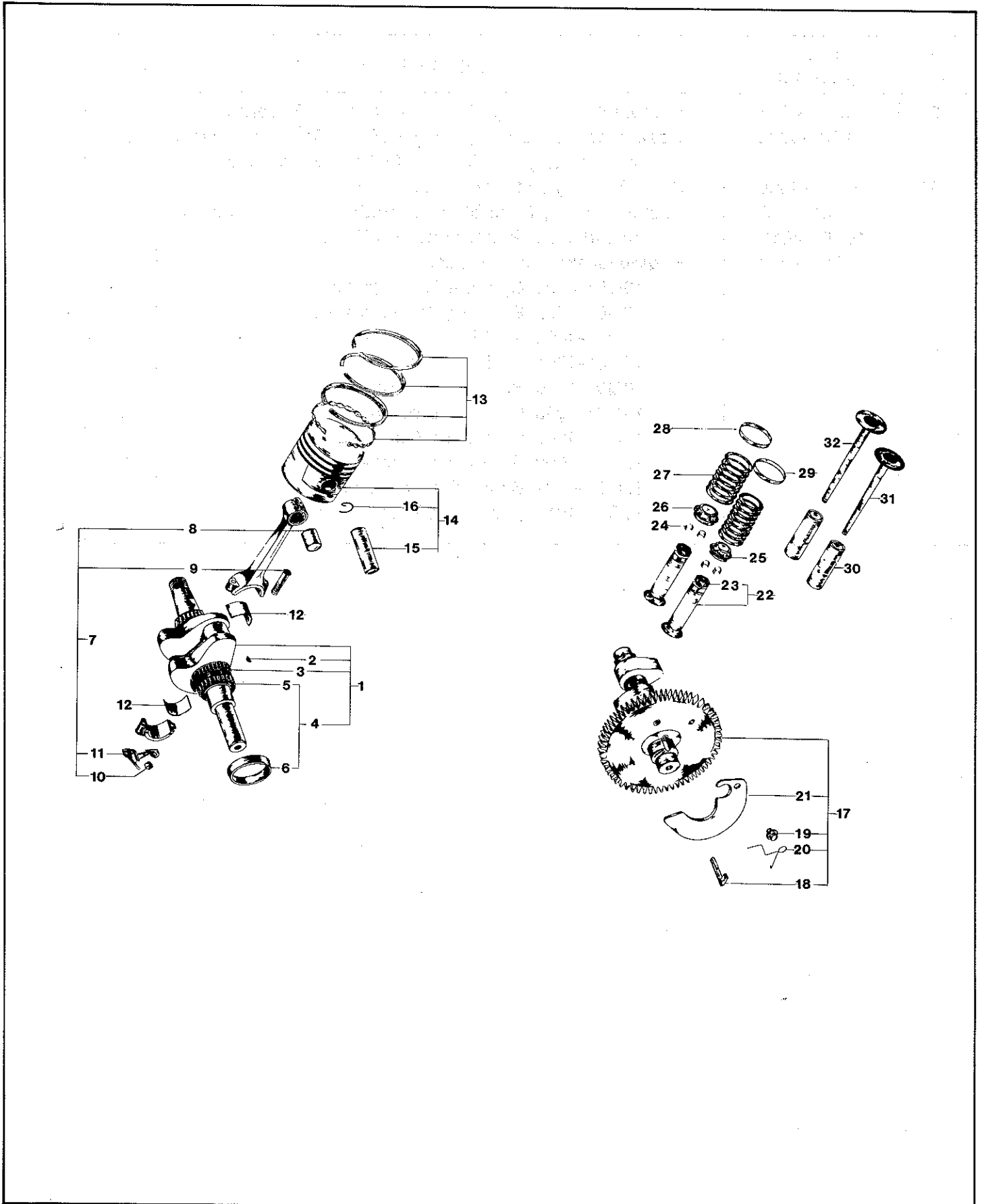




FIG. 4 CRANKSHAFT, CAMSHAFT, PISTON, ROD AND VALVE GROUP

NOTE: ITEMS WITHOUT A PART NUMBER ARE NOT SOLD SEPARATELY.

REF. NO.	PART NUMBER	DESCRIPTION	QTY.
1	10A01-6008	Crankshaft assembly (includes items 2, 3, 4)	1
2	10P01-4023	Key, crankshaft gear mounting, woodruff #3	1
3	10G01-4001	Gear, crankshaft	1
4	10M01-4001	Bearing assembly, crankshaft	2
		Consisting of:	
5		Bearing Cone	1
6		Bearing Cup	1
7	10D01-5001	Connecting Rod assembly (includes items 8 thru 11)	1
8	10H01-4001	Bushing, piston pin	1
9	10P01-4001	Bolt, connecting rod 5/16"-24 x 1 15/16" long	2
10	10P01-4002	Nut, connecting rod, 5/16" — 24	2
11	10D01-4006	Oil Dipper	1
12	10H01-4002	Shell Bearing	2
13	10A01-7003	Ring Set, standard size	1
	10A01-7011	0.010" oversize ring set	
	10A01-7012	0.020" oversize ring set	
	10A01-7013	0.030" oversize ring set	
14	10A01-6011	Piston and Pin assembly, standard size (includes items 15 & 16)	1
	10A01-7008	0.010" oversize piston assembly	
	10A01-7009	0.020" oversize piston assembly	
	10A01-7010	0.030" oversize piston assembly	
15	10D01-4005	Piston Pin	1
16	10P01-4022	Retaining Ring, piston pin	2
17	10A01-6007	Camshaft assembly (includes items 17 thru 21)	1
18	10E01-4001	Shaft, compression release	1
19	10P01-4003	Pin, compression release flyweight	1
20	10P01-4004	Spring, compression release	1
21	10E01-4002	Flyweight, compression release	1
22	10F01-5001	Valve Tappet assembly (includes item 24)	2
23	10F01-4001	Adjusting Screw, valve tappet	2
24	10A01-4008	Lock, valve spring seat	4
25	10A01-4007	Rotator, exhaust valve	1
26	10A01-4006	Valve Spring Seat	1
27	10A01-4009	Valve Spring, intake-exhaust	2
28	10A01-4002	Valve Seat Insert, intake	1
29	10A01-4003	Valve Seat Insert, exhaust	1
30	10A01-4001	Valve Stem Guide, intake - exhaust	2
31	10A01-4004	Exhaust Valve	1
32	10A01-4005	Intake Valve	1

FIG. 5 GOVERNOR AND SPEED CONTROL GROUP

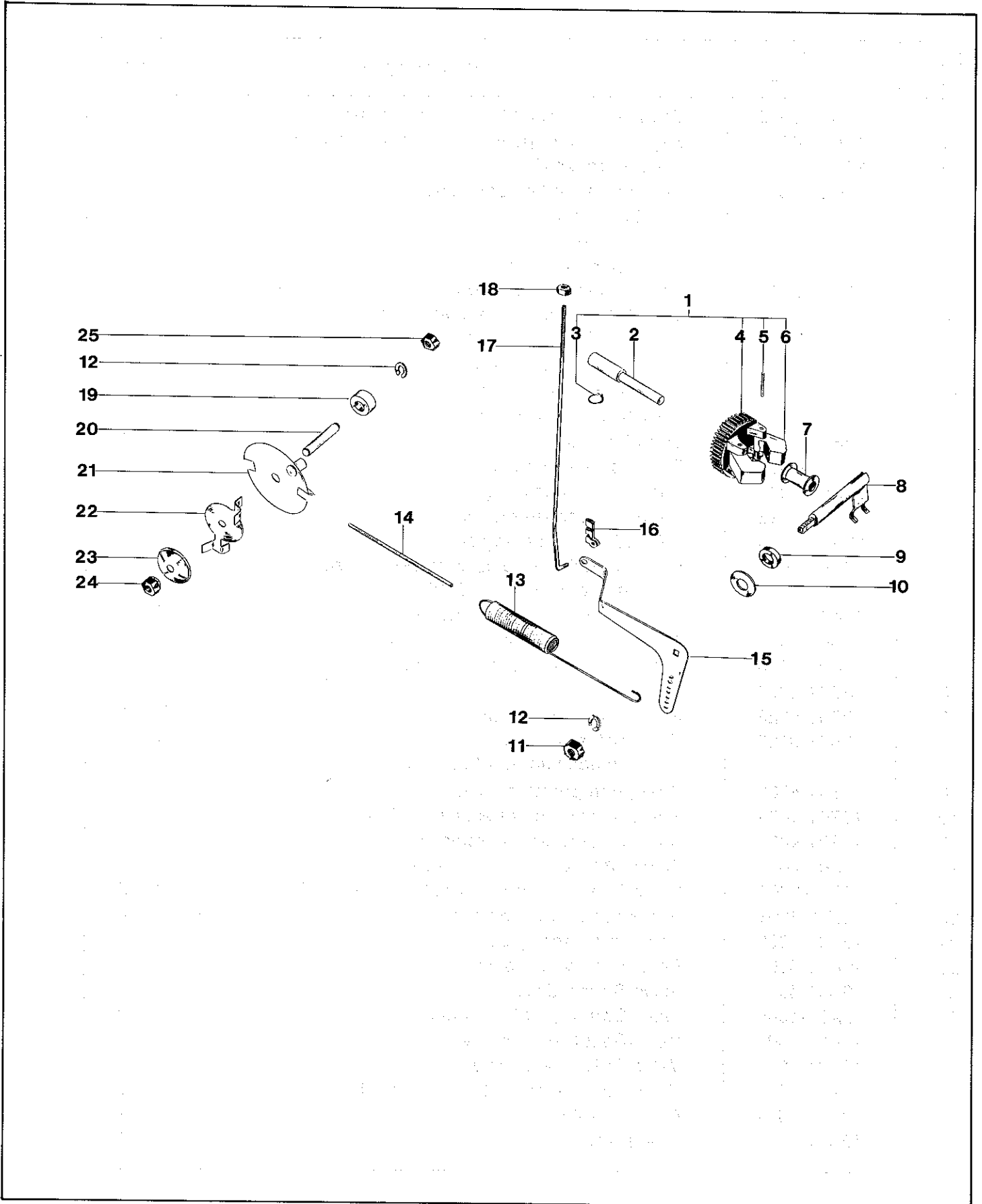


FIG. 5 GOVERNOR AND SPEED CONTROL GROUP

NOTE: ITEMS WITHOUT A PART NUMBER ARE NOT SOLD SEPARATELY

REF. NO.	PART NUMBER	DESCRIPTION	QTY.
1	10T01-5001	Governor Shaft and Gear assembly (includes items 2 thru 6)	1
2		Governor Shaft	1
3	10T01-4004	Snap Ring, governor shaft	1
4		Governor Gear	1
5	10T01-4005	Pin, flyweight mounting	2
6		Flyweight	2
7	10T01-4006	Thrust Sleeve, governor	1
8	10T01-5002	Governor Shaft and Yoke assembly	1
9	10T01-4013	Oil Seal, governor lever shaft	1
10	10P01-4017	Washer, governor lever mounting plain, 5/16" steel	1
11	10T01-4018	Nut, 1/4" - 28, hexagon steel 1 - for governor control lever 1 - for governor control disc	1
12	10P01-4012	Lockwasher, 1/4" spring lock 1 - for governor control lever 1 - for governor control disc	2
13	10T01-4011	Governor Spring	1
14	10T01-4020	Adjusting Screw, governor spring	1
15	10V01-4001	Governor Lever	1
16	10T01-4012	Clip, throttle rod mounting	1
17	10T01-4016	Throttle Rod	1
18	10T01-4019	Nut, throttle rod lock No. 5-40, hexagon steel	1
19	10T01-4015	Spacer, governor control disc	1
20	10T01-4014	Stud, governor control disc	1
21	10T01-5003	Disc assembly, governor control	1
22	10T01-4021	Control Handle, governor	1
23	10P01-4047	Spring Washer, control handle	1
24	10P01-4048	Lock Nut, disc assembly mounting, 1/4" - 28 lock nut	1
25	10T01-4017	Nut, governor control disc 1/4" - 20 Hex	1

FIG. 6 SHROUDING & MUFFLER GROUP

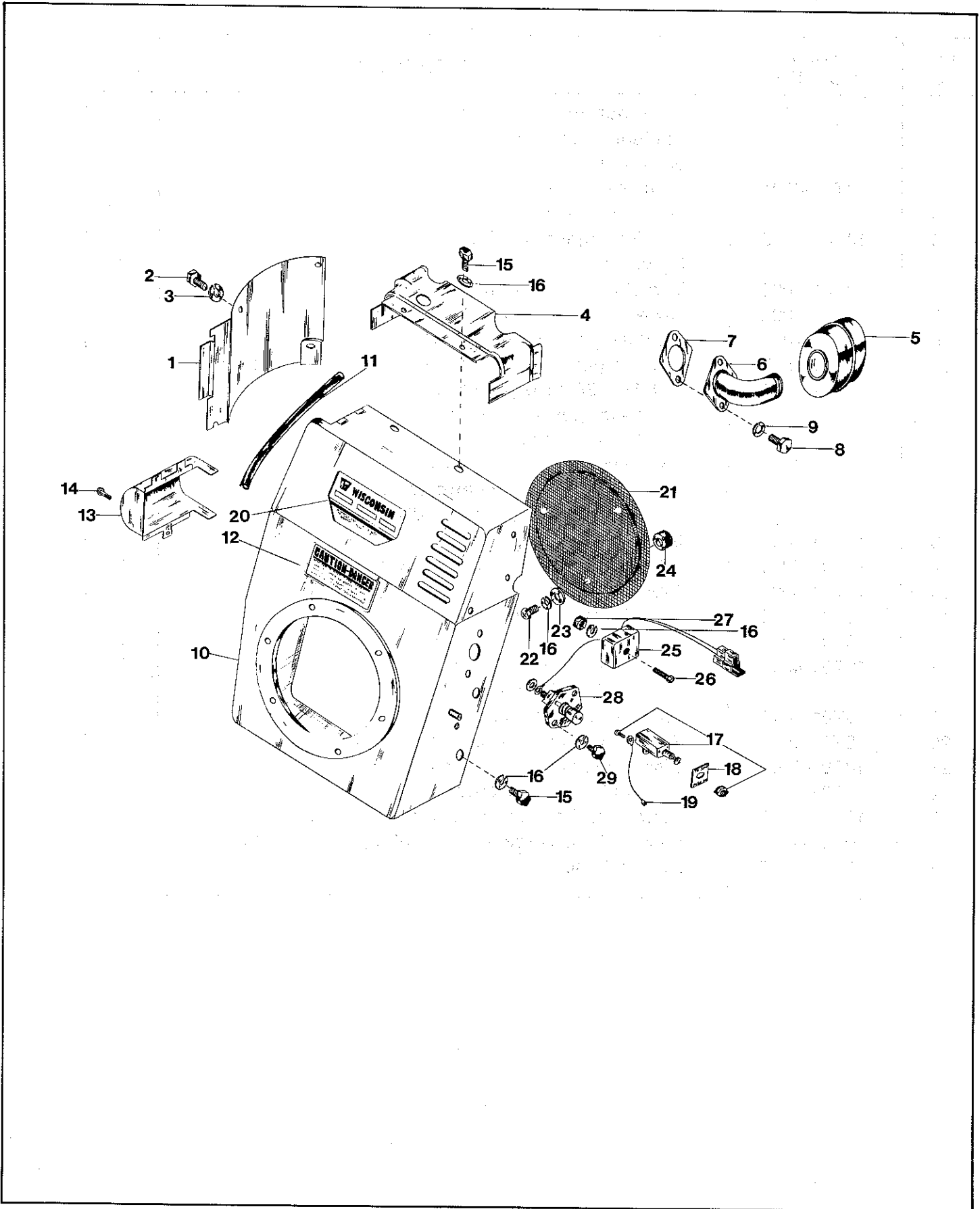


FIG. 6 SHROUDING & MUFFLER GROUP

NOTE: ITEMS WITHOUT A PART NUMBER ARE NOT SOLD SEPARATELY

REF. NO.	PART NUMBER	DESCRIPTION	QTY.
		(Items 1 thru 20 are for electric & recoil start engines)	
1	10S01-4006	Cylinder Shroud	1
2	10X01-4006	Screw, cylinder shroud mounting, ¼" - 20 x ½" long	3
3	10P01-4012	Lockwasher, cylinder shroud mounting ¼" spring lock	3
4	10S01-4010	Cylinder Head shroud	1
5	10W01-4001	Muffler	1
6	10L01-4005	Exhaust Flange	1
7	10Q01-4002	Gasket, exhaust flange	1
8	10X01-4014	Screw, exhaust flange mounting, 5/16"-18 x ¾" long	2
9	10P01-4013	Lockwasher, exhaust flange mounting 5/16" springlock	2
	10A01-4013	Blower Housing assembly (includes items 10 thru 14)	1
10	10S01-5001	Blower Housing	1
11	10Q01-4012	Isolator, fuel tank protection	1
11A	10S01-4019	Cover Plate for engine /o tank	1
12	10S01-4016	Decal, warning	1
13	10S01-4013	Cover, bendix (for electric start)	1
	10S01-4014	Cover Plate (for recoil start)	1
14	10P01-4049	Screw, cover or cover plate mounting, #10 self tapping	1
15	10X01-4006	Screw, blower housing mounting, ¼" - 10 x ½" long	6
16	10P01-4012	Lockwasher, ¼" spring lock	12
		6 - for blower housing mounting	
		3 - for flywheel screen mounting	
		1 - for regulator - rectifier mounting	
		2 - for starter switch mounting	
17	10Y01-4006	Stop Switch	1
18	10S01-4020	TAG, Stop Switch	1
19	10Y01-4014	Wire, Stop Switch	1
20	10S01-4017	Decal, nameplate	1
		(Items 21 thru 29 are for electric start only)	
21	10S01-4011	Flywheel Screen	1
22	10X01-4016	Screw, flywheel screen mounting, ¼" - 20 x 1" long	3
23	10P01-4017	Washer, flywheel screen, 17/64" I.D. x 5/8" O.C.	3
24	10S01-4012	Spacer, flywheel screen	3
25	10Y01-4007	Regulator Rectifier	1
26	10P01-4036	Screw, regulator-rectifier mounting, ¼" - 20 x 1½" long	1
27	10T01-4017	Nut, ¼" - 20	3
		1 - for regulator - rectifier mounting	
		2 - for starter switch mounting	
28	10Y01-4009	Starting Switch	1
29	10P01-4035	Screw, starting switch mounting ¼" - 20 x 5/8" long	2

FIG. 7 CARBURETOR, AIR CLEANER, FUEL PUMP GROUP

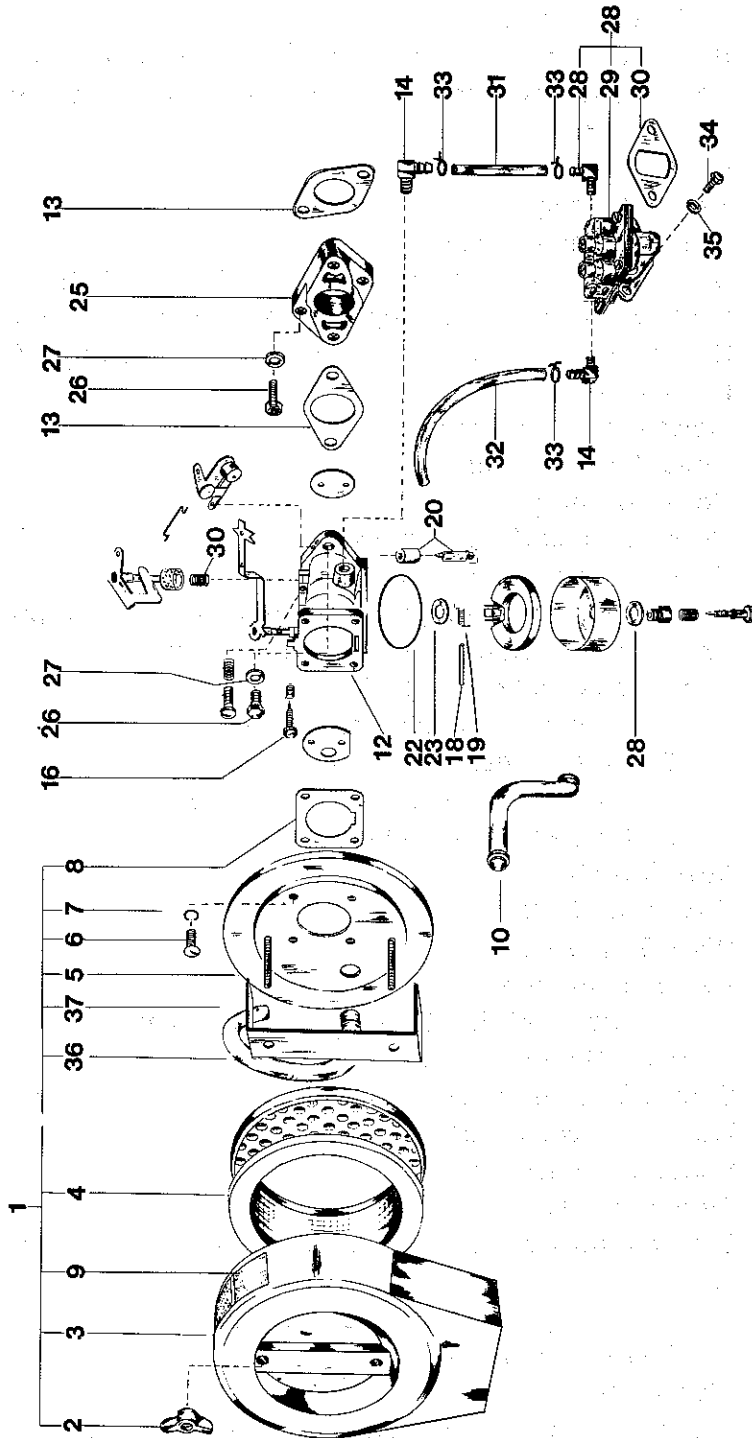


FIG. 7 CARBURETOR, AIR CLEANER AND FUEL PUMP GROUP

NOTE: ITEMS WITHOUT A PART NUMBER ARE NOT SOLD SEPARATELY

REF. NO.	PART NUMBER	DESCRIPTION	QTY.
1	10A01-6009	Air Cleaner Assembly (includes items 2 thru 9)	1
2	10P01-4005	Wing Nut, Air Cleaner Mounting	2
3	10B01-4001	Cover, Air Cleaner	1
4	10L01-4004	Element, Air Cleaner	1
5	10L01-4008	Adapter Plate, Air Cleaner	1
6	10X01-4002	Screw, Adapter Plate Mounting	4
7	10P01-4006	Lockwasher, Adapter Plate Mounting #10 Spring Lock	4
8	10Q01-4003	Gasket, Adapter Plate	1
9	10S01-4007	Decal, Air Cleaner Instruction	1
10	10R01-4001	Breather Tube	1
11	10A01-6001	Carburetor Service Assembly (includes items 12 thru 14)	1
12		Carburetor	1
13	10Q01-4004	Gasket Carburetor Mounting	2
14	10L01-4003	Elbow 90°	1
15	10A01-7006	Carburetor Repair Kit (includes items 16 thru 20 & 21)	1
16		Idle Needle	1
21	(Ref.)	Carburetor Gasket Kit	1
18		Shaft, Float	1
19		Spring, Float Support	1
20		Fuel Valve & Seat Assembly	1
21	10A01-7007	Carburetor Gasket Kit (includes items 22 thru 24 & 13)	1
22		Gasket, Fuel Bowl	1
23		Gasket, Bowl Retainer (Inner)	1
24		Gasket, Bowl Retainer (Outer)	1
13	(Ref.)	Gasket, Carburetor Mounting	2
25	10L01-4001	Adapter, Carburetor	1
26	10X01-4003	Screw, Carburetor-Adapter Mounting, 5/16"-18 x 7/8" long	4
27	10P01-4017	Washer, Carburetor-Adapter Mounting, 21/64" plain	4
28	10A01-6003	Fuel Pump Assembly (includes items 29, 30,)	1
29		Item 14 (Ref.) Elbow 90°	2
30	10Q01-4010	Gasket, Fuel Pump Mounting	1
31	10L01-4012	Fuel Line, Carburetor to Fuel pump	1
32	10L01-4013	Fuel Line, Fuel Pump to Tank	1
33	10L01-4007	Clamp, Fuel Line	4
34	10P01-4046	Screw, Fuel Pump Mounting, 1/4" - 20 x 3/4" long	2
35	10P01-4012	Lockwasher, Fuel Pump Mounting 1/4" Spring Lock	2
36	10L01-4025	Bracket, A.C. Support	1
37	10L01-4026	Extension Tube, Breather	1

FIG. 8 ELECTRIC STARTING MOTOR

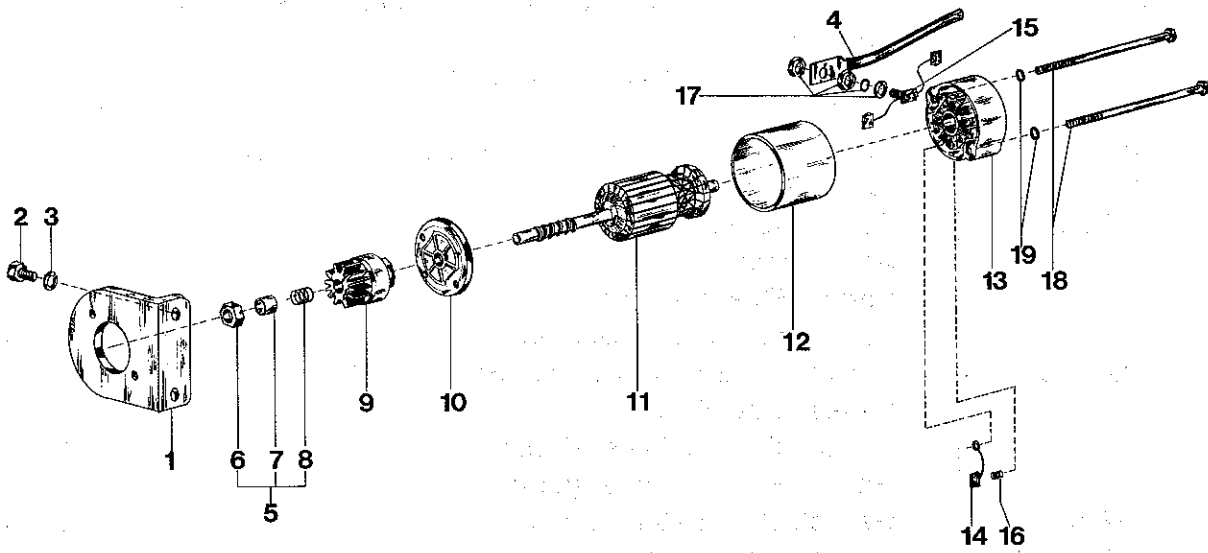




FIG. 8 ELECTRIC STARTING MOTOR

NOTE: ITEMS WITHOUT A PART NUMBER ARE NOT SOLD SEPARATELY

REF. NO.	PART NUMBER	DESCRIPTION	QTY.
1	10B01-2006	Bracket, starting motor	1
2	10X01-4018	Screw, starter bracket mounting, 3/8" - 16 x 1" long	2
3	10P01-4014	Washer, starter bracket mounting, 3/8" springlock	2
4	10Y01-4013	Starter Cable, to starter switch	1
•	10Y01-4010	Starting Motor complete (includes the following items)	1
5	10Y01-7001	Drive Kit assembly, (includes items 6, 7 and 8)	1
6		Nut	1
7		Collar	1
8		Spring	1
9	10Y01-6001	Drive Pinion assembly	1
10	10Y01-6002	Cap, drive end	
11	10Y01-6003	Armature assembly	1
12		Frame	
13	10Y01-6004	Cap, commutator end, (includes brush and spring kit #10Y01-7003)	1
•	10Y01-7003	Brush and Spring Kit (includes items 14, 15, 16 & 17)	1
14		Brush	2
15		Brush and Terminal assembly	1
16		Spring for brushes	4
17		Nut and Washer assembly / starter cable mounting	1
18	10Y01-4016	Thru Bolt	2
19	10P01-4027	Washer, thru bolt - 1/4" plain	2

FIG. 9 RECOIL STARTER ASSEMBLY

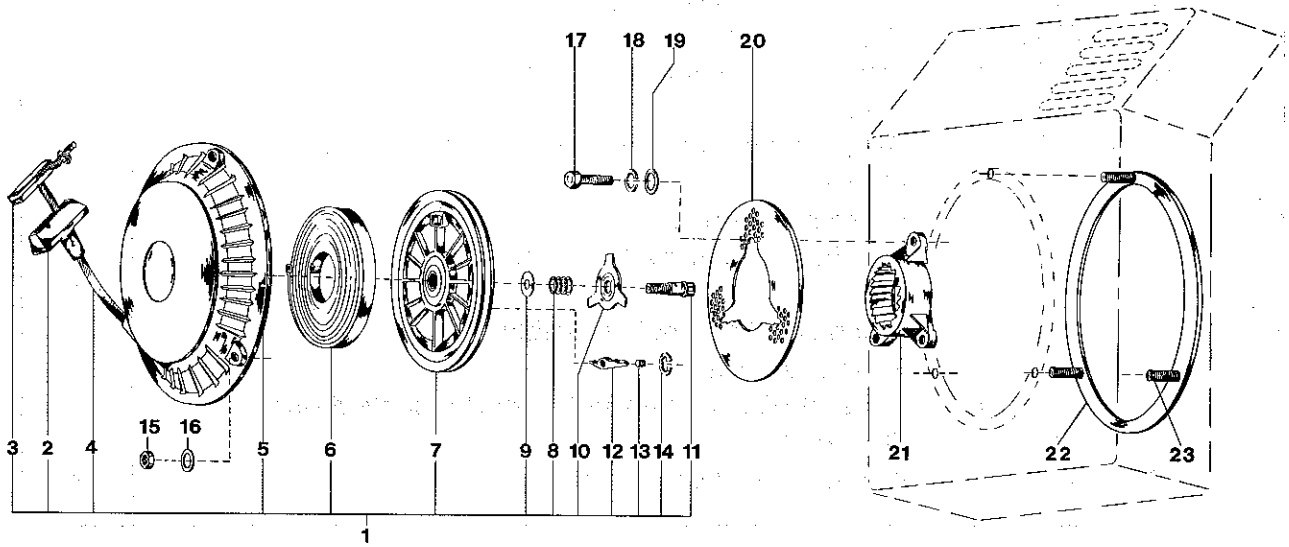


FIG. 9 RECOIL STARTER ASSEMBLY

NOTE: ITEMS WITHOUT A PART NUMBER ARE NOT SOLD SEPARATELY

REF. NO.	PART NUMBER	DESCRIPTION	QTY.
1	10U01-4002	Recoil Starter assembly (includes items 2 thru 14)	1
2	10U01-4007	T Handle, starter rope	1
3	10U01-4008	Reinforcement, T handle	1
4	10U01-4005	Rope, No. 6 x 74" long	1
5	10U01-4006	Housing	1
6	10U01-4015	Recoil Spring	1
7	10U01-4016	Pulley & Bearing Assembly	1
8	10U01-4013	Brake Spring	1
9	10U01-4004	Washer, Brake Spring	1
10	10U01-4014	Dog Cam	1
11	10U01-4009	Screw, cam center	1
12	10U01-4011	Dog	3
13	10U01-4010	Spring, Dog	3
14	10U01-4012	Dog Retainer Clip	3
15	10P01-4026	Locknut, recoil starter mounting 5/16" - 18, hexagon	3
16	10P01-4017	Washer, recoil starter mounting 5/16" x 19/32" O.D.	3
17	10X01-4016	Screw, drive hub to flywheel mounting 1/4" - 20 x 1" long, hex head	3
18	10P01-4012	Lockwasher, drive hub-flywheel mounting 1/4" springlock	3
19	10P01-4027	Washer, drive hub-flywheel mounting 1/4" plain	3
20	10S01-4009	Screen, rotating	1
21	10U01-4003	Drive Hub	1
22	10U01-4001	Support Ring (includes item 23)	1
23		Screw, weld to support ring, 5/16" - 18 x 1" long	3

FIG. 10 ENGINE BALANCER

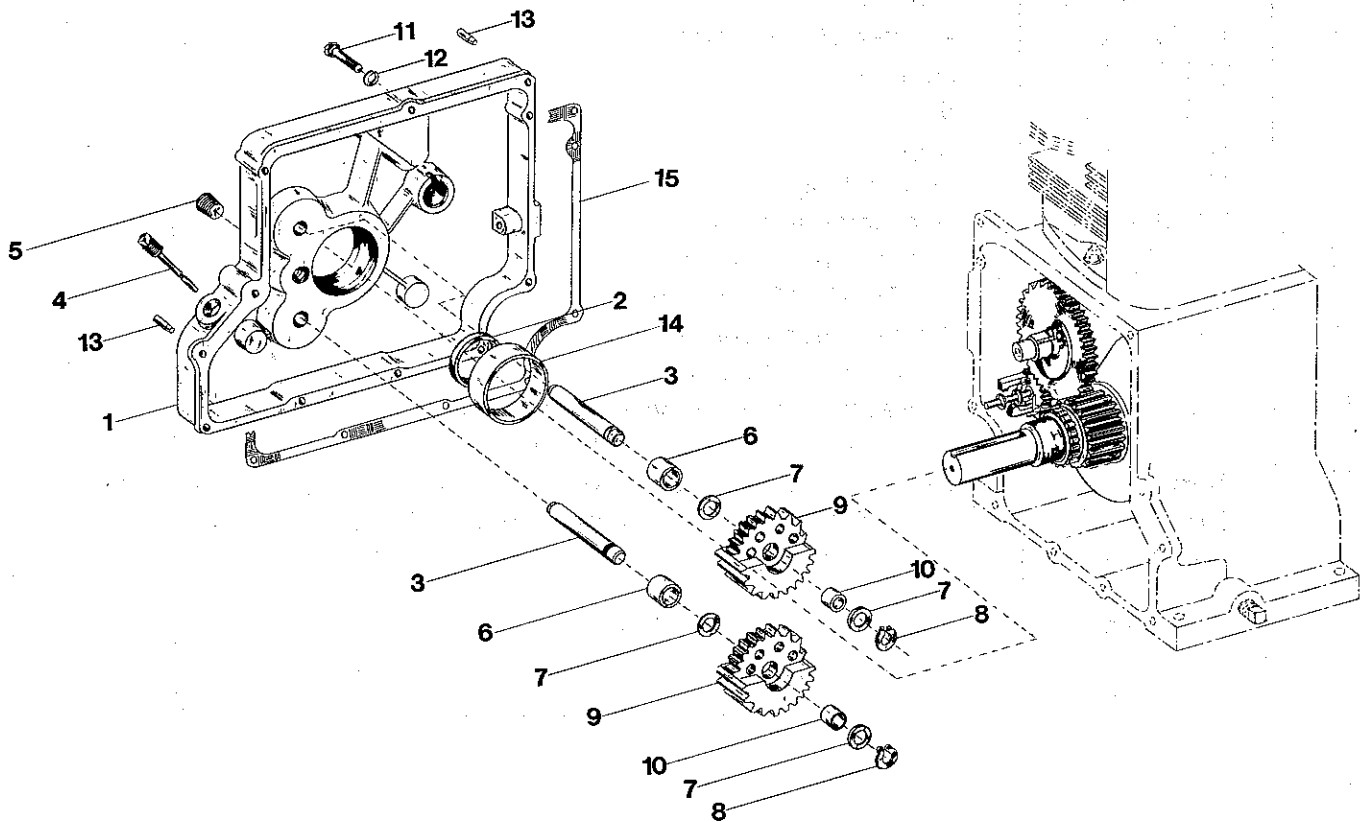


FIG. 10 ENGINE BALANCER

NOTE: ITEMS WITHOUT A PART NUMBER ARE NOT SOLD SEPARATELY.

REF. NO.	PART NUMBER	DESCRIPTION	QTY.
1	10B01-5007	Gear Cover assembly (includes items 2 thru 10)	1
2	10P01-4020	Oil Seal, crankshaft	1
3	10P01-4030	Pin, balancer gear	2
4	10R01-5001	Oil Filler - Dip Stick	1
5	10B01-4008	Pipe Plug, 1/2", countersunk head	1
6	10B01-4005	Spacer, balancer gear	2
7	10P01-4031	Thrust Washer	4
8	10P01-4034	Retainer Ring, balancer gear	2
9	10B01-4007	Balancer Gear	2
10	10B01-4006	Needle Bearing, balancer gear	2
11	10X01-4008	Screw, gear cover mounting, 5/16" - 18 x 1 3/4" long	9
12	10P01-4013	Lockwasher, gear cover mounting, 5/16" springlock	9
13	10P01-4007	Dowel Pin, gear cover aligning	2
14	10M01-4001	Bearing Cup	1
15	10Q01-4008	Gasket, gear cover	1