

Ignition Distributors, Timers, Coils, Temperature Safety Switches, Distributor Accessory Drive Assemblies, And Breakerless Ignition By Engine Model

MODEL	DESCRIPTION	PART NO.
ABN, AKN, AKS	Ignition timer (Repl. by YF8CS1)	YF8AS1
ACN, BKN	Ignition timer (Repl. by YF49S1)	YF8CS1
ADH, AFH, AHH	Ignition timer and coil group	TF102
ADH, AFH, AHH	Ignition timer and coil group (Repl. by YF49AS1)	YF8DS1
AFH, AGH, AHH	Ignition timer and coil group (Obsolete)	YF8S1
AENL	Ignition timer and coil group (Repl. by YF49S1)	YF8CS1
AENL	Coil distributor	YF49S1
AENL	Ignition timer and coil group	TF105
AGND	Ignition timer (Repl. by YF49AS1)	YF8DS1
AGND	Ignition timer	YF49AS1
AGND	Ignition timer and coil group	TF116
BKN	Coil distributor	YF49S1
S10D, S12D, S14D	Solid state breakerless ignition	EYC113
TE, TF	Distributor (Obsolete)	YF6E
TE, TF	Ignition timer (Repl. by YF49S1)	YF8CS1
TH, THD	Distributor (Repl. by YF47S1)	YF6H
TH, THD	Distributor	YF47S1
TH, THD	Distributor drive assembly	TF127
TH, THD	Distributor drive and ignition coil group	TF131
TJD	Distributor (Repl. by YF46S1)	YF40
TJD	Distributor (Repl. by YF46S1)	YF35
TJD	Distributor	YF46S1
TJD	Per-Lux solid state distributor	YF52S1
TJD	Distributor drive and ignition coil group	TF131
TJD	Distributor accessory drive assembly	TF133B
TRA12D	Solid state breakerless ignition	EYC112
VE4D, VF4D	Distributor	YF10S1
VE4D, VF4D	Distributor (Obsolete)	YF10AS1
VE4D, VF4D	Distributor (Obsolete)	YF10A1S1
VE4D, VF4D	Distributor accessory drive assembly (Repl. by TF122C)	TF112C
VE4D, VF4D	Distributor accessory drive assembly	TF122C
VE4D, VF4D	Distributor drive assembly	TF128

**Ignition Distributors, Timers, Coils, Temperature Safety Switches,
Distributor Accessory Drive Assemblies, And Breakerless Ignition
By Engine Model (Cont.)**

MODEL	DESCRIPTION	PART NO.
VG4D	Distributor Prestolite (Repl. by YF45S1)	YF10BS1
VG4D	Distributor Prestolite (Repl. by YF45S1)	YF10CS1
VG4D	Distributor Prestolite (Repl. by YF45B)	YF10ES1
VG4D	Distributor Prestolite (Obsolete)	YF14S1
VG4D	Distributor Colt	YF45S1
VG4D	Distributor Colt	YF45B
VG4D	Distributor Per-Lux	YF50S1
VG4D	Ignition coil distributor group	EKA110
VG4D	Hi-temperature safety switch	YC66GS1
VG4D	Distributor accessory drive assembly (Repl. by TF122)	TF112A
VG4D	Distributor accessory drive assembly (Repl. by TF122B)	TF112D
VG4D	Distributor accessory drive assembly	TF122
VG4D	Distributor accessory drive assembly	TF122B
VG4D	Distributor drive assembly	TF130
VG4D	Top mounted distributor and ignition coil group	TF135
VH4D	Distributor (Obsolete)	YF10BS1
VH4D	Distributor (Repl. by YF45S1)	YF10CS1
VH4D	Distributor (Repl. by YF45AS1)	YF10DS1
VH4D	Distributor (Obsolete)	YF14S1
VH4D	Distributor Colt	YF45S1
VH4D	Distributor Colt	YF45AS1
VH4D	Distributor Per-Lux	YF50AS1
VH4D	Distributor Per-Lux	YF50S1
VH4D	Ignition coil distributor group	EKA102
VH4D	Distributor accessory drive assembly	TF122C
VH4D	Distributor drive assembly	TF129
VH4D	Distributor and ignition coil group top mounted	TF132A
VH4D	Distributor accessory drive assembly (Repl. by TF122C)	TF112C
V460D, V465D	Distributor (Obsolete)	YF25S1

**Ignition Distributors, Timers, Coils, Temperature Safety Switches,
Distributor Accessory Drive Assemblies, And Breakerless Ignition
By Engine Model (Cont.)**

MODEL	DESCRIPTION	PART NO.
V460, V465D	Distributor accessory drive assembly	TF122Y2
V465D	Distributor (Obsolete)	YF10BS1
V465D	Distributor (Repl. by YF45S1)	YF10CS1
V465D	Distributor	YF34
V465D	Distributor Colt	YF45S1
V465D	Distributor	YF50S1
VR4D	Distributor (Obsolete)	YF14S1
W2-1230, W2-1235	Distributor (Repl. by YF48S1)	YF42S1
W2-1230, W2-1235	Distributor Colt	YF48S1
W2-1250	Distributor	YF51
W2-1250	Distributor	YF51S1
W2-880	Distributor	YF35
W2-880	Distributor	YF46S1
W2-880	Distributor Per-Lux	YF52S1
W2-880	Distributor drive and ignition coil group	TF131
W4-1770	Distributor (Obsolete)	YF10BS1
W4-1770	Distributor (Repl. by YF45S1)	YF10CS1
W4-1770	Distributor (Repl. by YF45AS1)	YF10DS1
W4-1770	Distributor Colt	YF45AS1
W4-1770	Distributor Per-Lux	YF50S1, YF50AS1
W4-1770	Distributor accessory drive assembly	TF122C10
W4-1770	Distributor drive assembly	TF129C
W4-1770	Top mounted distributor and ignition coil group	TF132B
All Models Except VG4D	Hi-temp safety switch	YC66DS1

**Ignition Distributors, Timers, Coils, Temperature Safety Switches,
Distributor Accessory Drive Assemblies, And Breakerless Ignition
By Part Number**

PART NO.	DESCRIPTION	MODEL
YF6E	Prestolite	TE, TF
YF6G	Prestolite	Schramm Engine
YF6H	Prestolite	TH, THD
YF10S1	Prestolite	VE4D, VF4D
YF10AS1	Prestolite	VE4D, VF4D
YF10A1S1	Prestolite	VE4D, VF4D
YF10BS1	Prestolite	W4-1770, VH4D, VG4D, V465D
YF10CS1	Prestolite	W4-1770, VH4D, VG4D, V465D
YF10DS1	Prestolite	VH4D, W4-1770
YF10ES1	Prestolite	VG4D
YF14S1	Wico	VH4D, VG4D, VR4D
YF25S1	Delco Remy	V460D, V461D
YF34	Delco Remy	V465D
YF35	Prestolite	W2-880, TJD
YF40	Prestolite	TJD
YF42	Prestolite	W2-1230, W2-1235
YF45S1	Colt distributor	VH4D, VG4D, V465D
YF45AS1	Top mounted	VH4D, W4-1770
YF45B	Top mounted	VG4D
YF46S1	Top mounted	TJD, W2-880
YF47S1	Top mounted	THD
YF48S1	Top mounted	W2-1230, W2-1235
YF49S1	Top mounted	AENL, BKN
YF49AS1	Top mounted	AGND
YF50S1	Per-Lux-solid state	VH4D, W4-1770, VG4D, V465D
YF50AS1	Per-Lux-solid state	VH4D, W4-1770
YF51	Per-Lux-solid state	W2-1250
YF51S1	Per-Lux-solid state	W2-1250
YF52S1	Per-Lux-solid state	TJD, W2-880
YF53S1	Per-Lux-solid state	AENL

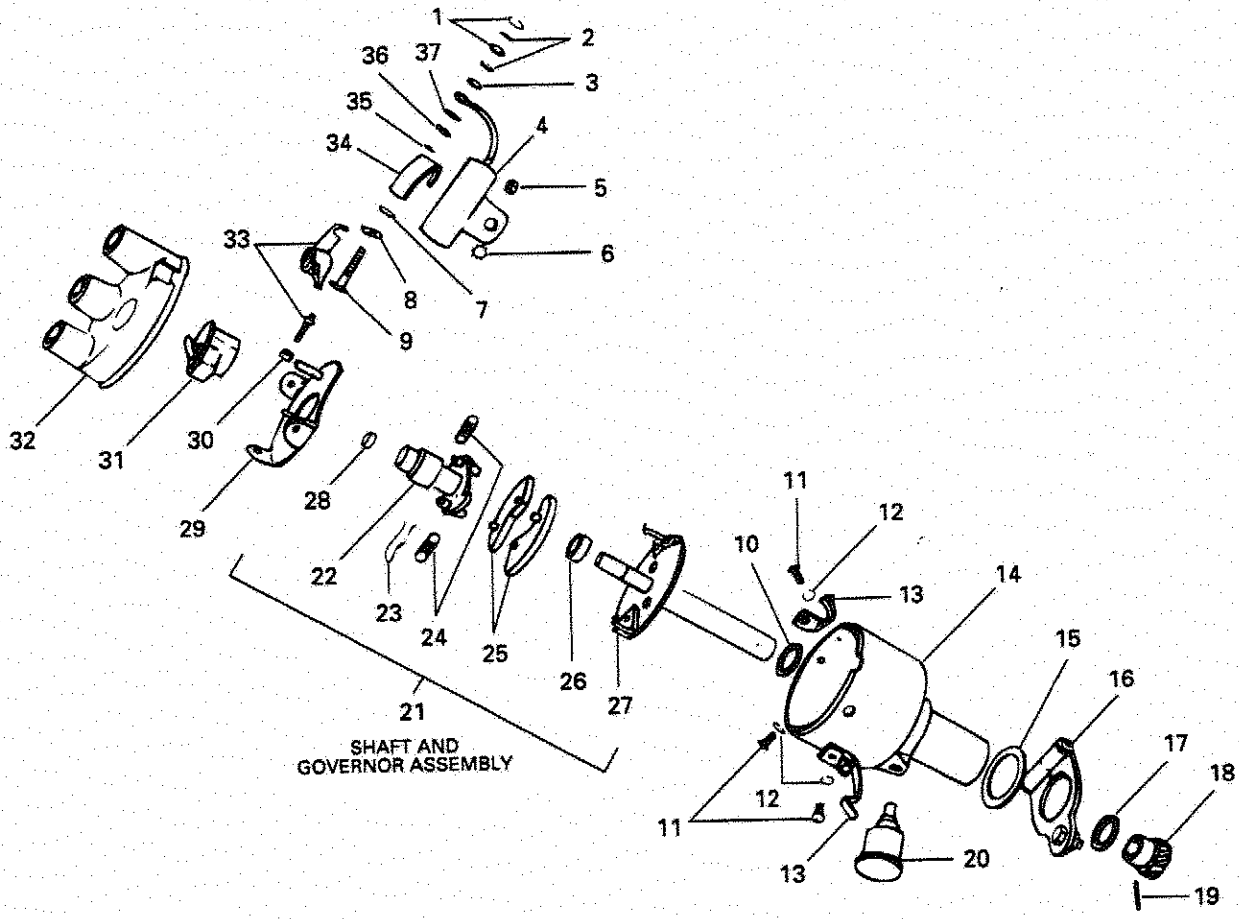
**Ignition Distributors, Timers, Coils, Temperature Safety Switches,
Distributor Accessory Drive Assemblies, And Breakerless Ignition
By Part Number (Cont.)**

PART NO.	DESCRIPTION	MODEL
YF8S1	Ignition timers	AFH, AGH, AHH
YF8AS1	Ignition timers	ABN, AKN, AKS
YF8CS1	Ignition timers	ACN, BKN, AENL, TE, TF
YF8DS1	Ignition timers	AGND, ADH, AEH, AHH
	Ignition timers	AGND
TF102	Ignition timer and coil group	ACN, BKN
TF105	Ignition timer and coil group	AENL
TF116	Ignition timer and coil group	AGND
EKA102	Ignition coil, distributor group	VH4D
EKA110	Ignition coil, distributor group	VG4D
YF10S1	Distributor/ignition coil group	VE4D, VF4D
YF45S1	Distributor/ignition coil group	W4-1770
YF48S1	Distributor/ignition coil group with temperature safety switch	W2-1230, W2-1235
YF51S1	Distributor/ignition coil group with temperature safety switch	W2-1250
YC66DS1	High-temperature safety switch kit	All Other Models
YC66GS1	High-temperature safety switch kit	VG4D
TF112A	Replaced by TF122	VG4D
TF112C	Replaced by TF122	VE4, VF4, VH4
TF112D	Replaced by TF122B	VG4D
TF122	Distributor/accessory drive assembly	VG4D
TF122B	Distributor/accessory drive assembly	VG4D
TF122C	Distributor/accessory drive assembly	VE4D, VF4D, VH4D
TF122C10	Distributor/accessory drive assembly	W4-1770
TF122Y2	Distributor/accessory drive assembly	V465D, V460D, V461D
TF127	Distributor drive assembly	TH, THD
TF128	Distributor drive assembly	VE4D, VF4D
TF129	Distributor drive assembly	VH4D
TF129C	Distributor drive assembly	W4-1770
TF130	Distributor drive assembly	VG4D

**Ignition Distributors, Timers, Coils, Temperature Safety Switches,
Distributor Accessory Drive Assemblies, And Breakerless Ignition
By Part Number (Cont.)**

PART NO.	DESCRIPTION	MODEL
TF131	Distributor drive and ignition coil group	W2-880, THD, TJD
TF132A	Top mounted distributor and ignition coil group	VH4D
TF132B	Top mounted distributor and ignition coil group	W4-1770
TF133B	Distributor/accessory drive assembly	TJD
TF135	Top mounted distributor and ignition coil group	VG4D
EYC112	Solid state breakerless ignition	TRA12D
EYC113	Solid state breakerless ignition	S10D, S12D, S14D

**YF6E (Prestolite No. IGW4195A), YF6G (Prestolite No. IGW4168A),
YF6H (Prestolite No. IGW4199C) Ignition Distributor**



**YF6E, YF6G, YF6H Ignition Distributor
(YF6H Replaced By YF47S1)**

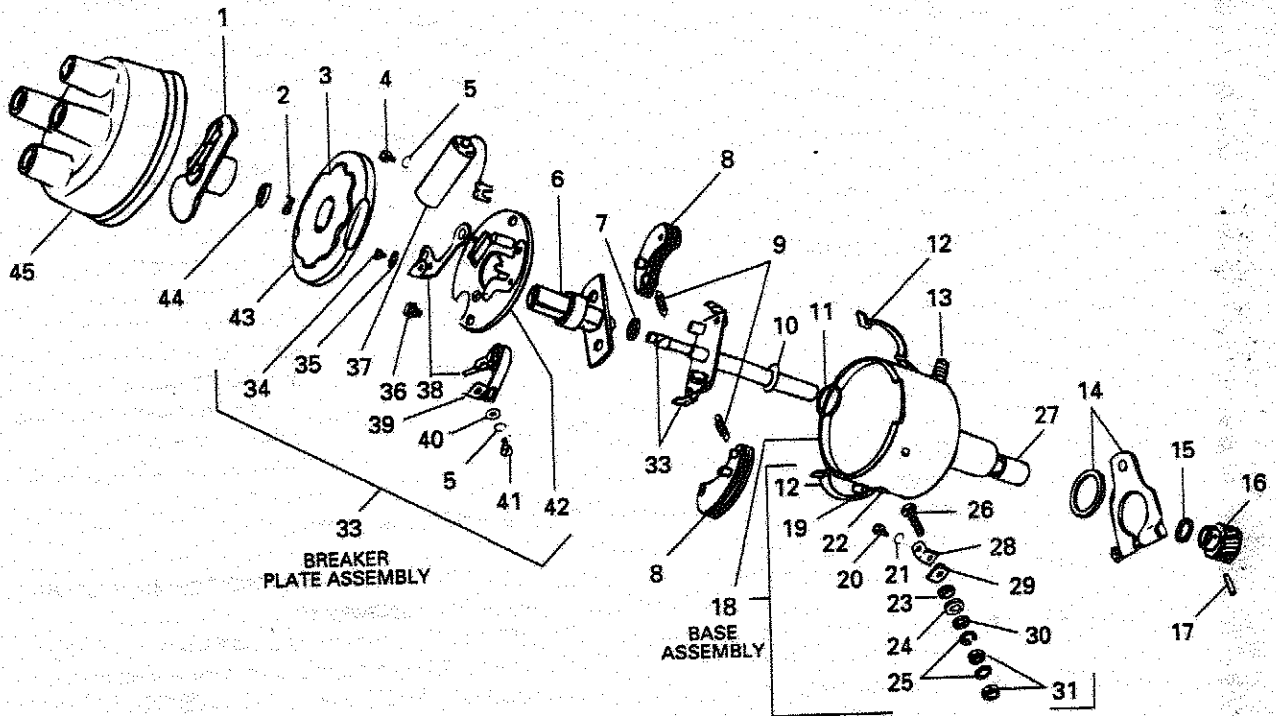
USE WITH MODELS TH, TJD (see pg. 1)

ITEM	PART NO.	DESCRIPTION	QTY	ITEM	PART NO.	DESCRIPTION	QTY
1	* ———	Nut, no. 10-32 thread	2	24	28IGB327S	Spring set	1
2	* ———	Lock washer, no. 10	2	25	28IGW1063LS	Governor weight set	1
3	††	Washer, no. 10	2	26	†	Cam spacer	1
4	* ———	Condenser package	1	27	28IGW2143LA	Drive shaft (YF35, YF6H)	1
5	* ———	Screw, no. 8-32 thread x 3/16" long	1	—	28IGW2143L	Drive shaft (YF6D, YF6E, YF6F, YF6G)	1
6	* ———	Washer, no. 8	1	28	28P90-832	Wick package	1
7	††	Insulating washer	1	29	28IGB1010CS	Breaker plate	1
8	††	Washer	1	30	28IB23	Lock nut	1
9	††	Terminal stud	1	31	* ———	Rotor	1
10	†	Thrust washer	1	32	28IGB1001B	Distributor cap assembly (YF35)	1
11	* ———	Screw, no. 8-32 thread x 5/16" long	3	—	28IGB1065C	Distributor cap (YF6E, YF6F, YF6H)	1
12	* ———	Lock washer, no. 8	3	—	28IGB1065	Distributor cap (YF6D, YF6G)	1
13	28IGB1007S	Clamp spring package	1	33	YQ23	Points, condenser and rotor kit	1
14	* ———	Base assembly	1	34	PG543A	Insulation	1
15	28IG816	Thrust washer	1	35	††	Insulating bushing	1
16	28IG2860A3	Advance arm	1	36	††	Insulating washer	1
17	†††	Thrust washer	1	37	††	Washer, no. 10	1
18	†††	Follower gear	1				
19	†††	Pin	1				
20	28X1601	Grease cup (NLA)	1				
21	* ———	Shaft and governor assembly (includes 22-27)	1				
22	28IGW2100LAM	Cam and stop plate (YF35)	1				
—	28IGW2100LAB	Cam and stop plate (YF6D, YF6E, YF6G)	1				
—	28IGW2100LAH	Cam and stop plate (YF6F, YF6H)	1				
23	†	Cam retaining spring	1				

* Not serviced separately.

- † 28P90-740 Distributor shaft bearing and parts package (replaces 28P90-331A).
- †† 28P90-558 Terminal stud and parts package.
- ††† 28P90-433 Distributor shaft gear and parts package, YF6E, YF6F, YF6H (28P90-2361 for YF6D, YF6G no longer available).

YF10S1 Ignition Distributor (Prestolite No. IAD4036A) (NLA)



YF10S1 Ignition Distributor (NLA)

USE WITH MODELS VE4, VF4 (see pg. 3)

ITEM	PART NO.	DESCRIPTION	QTY	ITEM	PART NO.	DESCRIPTION	QTY
1	* — — —	Rotor	1	33	28IGS1180L	Drive shaft	1
2	†	Snap ring	1	34	28IAD2004	Breaker plate assembly (includes 4, 5, 35-37, 39, 40-43)	1
3	* — — —	Felt washer	1				
4	* — — —	Screw, no. 6-32 thread x 5/32" long	1	35	* — — —	Lockscrew, no. 8-32 thread x 3/16" long	1
5	* — — —	Lock washer, no. 6	3	36	* — — —	Plain washer, no. 8	1
6	28IAD1100LH1	Cam and stop plate	1	37	YQ22	Points, condenser and rotor kit	1
7	†	Cam spacer	1	38	* — — —	Screw, no. 10-32 thread x 5/16" long	2
8	28IGC2168LS	Governor weight set	2	39	YQ22	Points, condenser and rotor kit	1
9	28IGC211S	Spring set	1	40	* — — —	Spring clip	1
10	†	Thrust washer	1	41	* — — —	Plain washer, no. 6	1
11	†	Thrust washer	1	42	* — — —	Screw, no. 6-32 thread x 5/16" long	1
12	†††	Clamp spring	2	43	* — — —	Breaker plate	1
13	28X1590	Oiler	1	44	28IAD2015	Dust cover assembly (includes item 3)	1
14	28IGS117	Felt wick	1	45	28IGH28	Felt wick	1
15	PG543A	Advance arm assembly	1	46	28IG1324J	Distributor cap assembly (includes plunger contact, and contact spring, not illustrated)	1
16	†††	Thrust washer	1	47	* — — —	Bracket (not illustrated)	2
17	†††	Follower gear	1				
18	†††	Pin	1				
19	* — — —	Base assembly (includes 12, 20-32, 47)	1				
20	†††	Bracket	2				
21	* — — —	Screw, no. 6-32 thread x 3/16" long	1				
22	* — — —	Lock washer, no. 6	1				
23	†††	Rivet	4				
24	††	Insulating bushing	1				
25	††	Insulating washer	1				
26	* — — —	Lock washer, no. 10	2				
27	* — — —	Nut, no. 10-32 thread	2				
28	* — — —	Plain washer, no. 10	1				
29	††	Insulator	1				
30	†	Bronze bearing	2				
31	††	Connector	1				
32	††	Terminal stud	1				

* Not serviced separately.

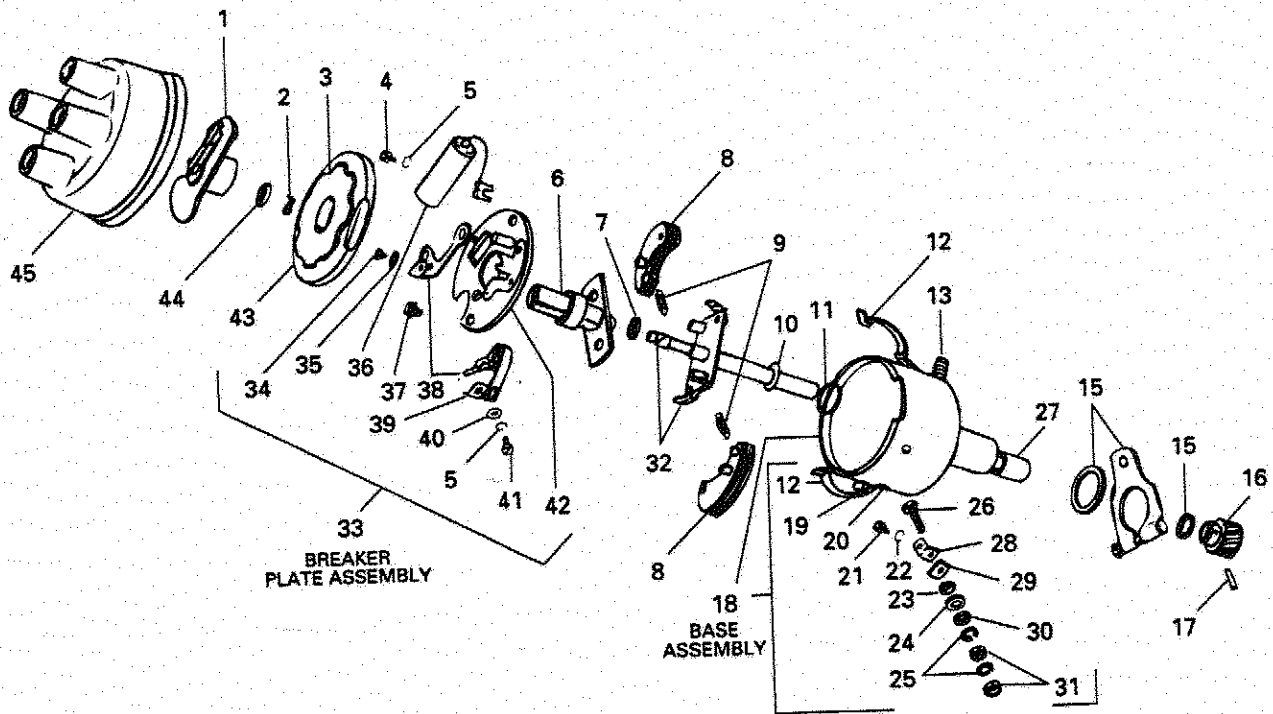
† 28P90-390 Distributor shaft bearing and parts package.

†† 28P90-337 Terminal stud and parts package.

††† 28P90-429 Cap clamp spring package.

†††† 28P90-427 Distributor shaft gear and parts package.

YF10AS1, YF10A1S1 Ignition Distributor (Electric Auto-Lite No. IAD6004-2F)



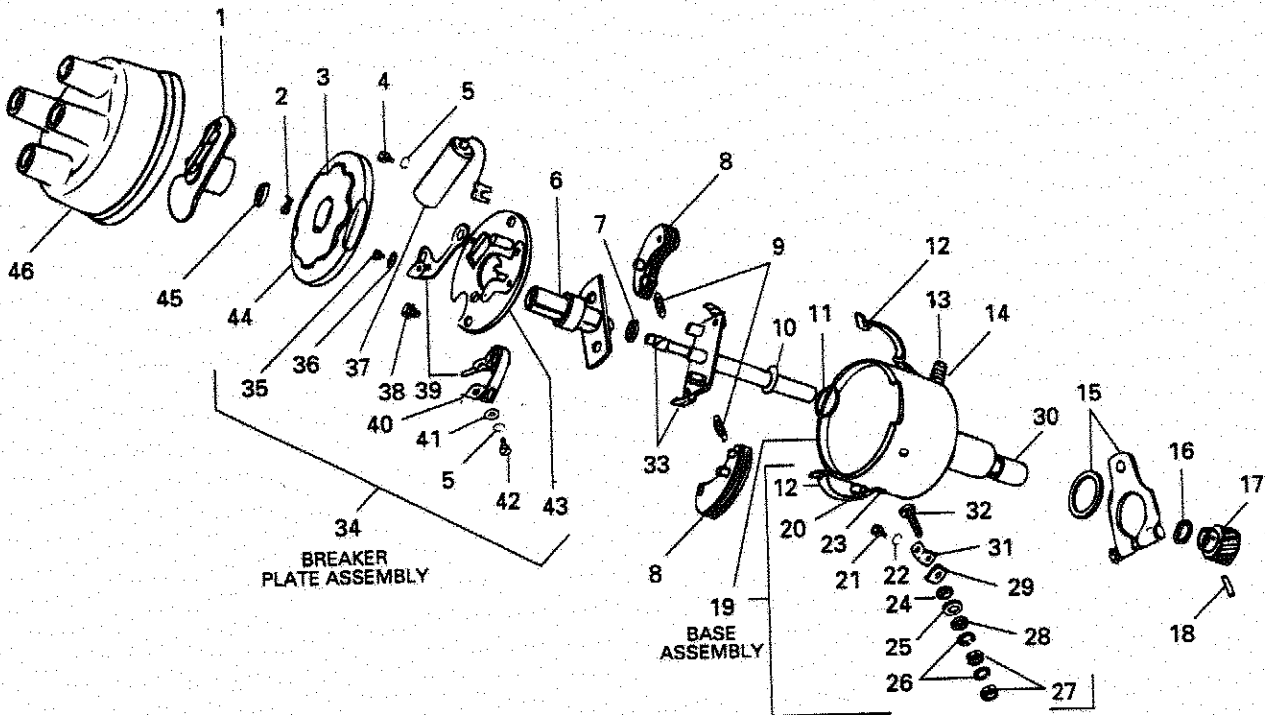
YF10AS1, YF10A1S1 Ignition Distributor

USE WITH MODELS VE4D, VF4D (see pg. 5)

ITEM	PART NO.	DESCRIPTION	QTY	ITEM	PART NO.	DESCRIPTION	QTY
1	IG1657R	Rotor	1	32	IGS1180L	Drive shaft	1
2	*-----	Snap ring	1	33	IAD2004	Breaker plate assembly (includes 4, 5, 34-42)	1
3	*-----	Felt washer	1	34	*-----	Lockscrew, no. 8-32 thread x 3/16" long	1
4	*-----	Screw, no. 6-32 thread x 5/32" long	1	35	*-----	Plain washer, no. 8	1
5	*-----	Lock washer, no. 6	3	36	*-----	Screw, no. 10-32 thread x 5/16" long	2
6	IAD1100LE1	Cam and stop plate	1	37	*-----	Condenser	1
7	*-----	Cam spacer	1	38	YQ21	Breaker contact set (includes item 37)	1
8	IGC2168	Governor weight	2	39	IG676	Spring clip	1
9	IGC200S	Spring set	1	40	*-----	Plain washer, no. 6	1
10	*-----	Thrust washer	1	41	IGC175	Screw, no. 6-32 thread x 5/16" long	1
11	*-----	Thrust washer	1	42	IAD1004	Breaker plate	1
12	*-----	Clamp spring	2	43	IAD2015	Dust cover assembly (includes item 3)	1
13	*-----	Oiler	1	44	*-----	Felt wick	1
14	PG543A	Advance arm assembly	1	45	IG1324J	Distributor cap assembly (includes 48, 49)	1
15	*-----	Thrust washer	1	46	*-----	Bracket (not illustrated)	2
16	GE89	Follower gear	1	47	*-----	Terminal (not illustrated) ...	5
17	*-----	Rivet	1	48	*-----	Plunger contact (not illustrated)	1
18	*-----	Base assembly (includes 12, 19-31, 46)	1	49	*-----	Contact spring (not illustrated)	1
19	*-----	Bracket	2	50	IGS32	Rubber plug (not illustrated)	1
20	*-----	Screw, no. 6-32 thread x 3/16" long	1	51	*-----	Felt wick (not illustrated) ...	1
21	*-----	Lock washer, no. 6	1	52	*-----	Anti-rattle spring (not illustrated)	1
22	*-----	Rivet	4				
23	*-----	Insulating bushing	1				
24	*-----	Insulating washer	1				
25	*-----	Lock washer, no. 10	2				
26	*-----	Terminal stud	1				
27	*-----	Bronze bearing	2				
28	*-----	Connector	1				
29	*-----	Insulator	1				
30	*-----	Plain washer, no. 10	1				
31	*-----	Nut, no. 10-32 thread	2				

* Not serviced separately.

**YF10CS1 (Prestolite No. IAD6004-2N), YF10BS1 (Prestolite No. IAD6004-26),
YF10DS1 (Prestolite No. IAD6004-2P),
YF10ES1 (Prestolite No. IAD6004-2R) Ignition Distributor
(YF10CS1, YF10BS1 Replaced By YF45S1,
YF10DS1 Replaced By YF45AS1, YF10ES1 Replaced By YF45B)**



**YF10CS1, YF10BS1, YF10DS1, YF10ES1 Ignition Distributor
(YF10CS1, YF10BS1 Replaced By YF45S1,
YF10DS1 Replaced By YF45AS1, YF10ES1 Replaced By YF45B)**

USE WITH MODELS VH4D, VG4D, V465D, W4-1770 (see pg. 7)

ITEM	PART NO.	DESCRIPTION	QTY	ITEM	PART NO.	DESCRIPTION	QTY
1	* ———	Rotor	1	34	* ———	Lockscrew, no. 8-32 thread x 3/16" long	1
2	* ———	Snap ring	1			5/32" long	1
3	* ———	Felt washer	1	35	* ———	Plain washer, no. 8	1
4	* ———	Screw, no. 6-32 thread x 5/32" long	1	36	* ———	Condenser	1
5	* ———	Lock washer, no. 6	3	37	* ———	Screw, no. 10-32 thread x 5/16" long	2
6	28IAD1100LE1	Cam stop plate (YF10CS1)	1	38	YQ21	Points, condenser and rotor kit (includes item 36)	1
7	†	Cam spacer	1	39	* ———	Spring clip	1
8	28IGC2168LS	Governor weight set (YF10CS1)	2	40	* ———	Plain washer, no. 6	1
9	28IGC2035	Spring set (YF10CS1)	1	41	* ———	Screw, no. 6-32 thread x 5/16" long	1
10	†	Thrust washer, outer	1	42	* ———	Breaker plate	1
11	†	Thrust washer, inner	1	43	28IAD2015	Dust cover (includes item 3)	1
12	†††	Clamp spring	2	44	†††††	Felt wick	1
13	28-8X1590	Oiler	1	45	28IG1324J	Distributor cap assembly (includes plunger contact and spring)	1
14	PG543A	Advance arm assembly	1	46	†††	Bracket (not illustrated)	2
15	††††	Thrust washer	1	47	28IGS32S	Cap plug package (not illustrated)	1
16	††††	Follower gear	1	48	†††††	Felt wick (not illustrated) ...	1
17	††††	Pin	1				
18	* ———	Base assembly (includes 12, 19-31, 46)	1				
19	†††	Bracket	2				
20	†††	Rivet	4				
21	* ———	Screw, no. 6-32 thread x 3/16" long	1				
22	* ———	Lock washer, no. 6	1				
23	††	Insulating bushing	1				
24	††	Insulating washer	1				
25	* ———	Lock washer, no. 10	2				
26	††	Terminal stud, no. 10-32 thread x 15/16" long	1				
27	†	Bronze bearing	2				
28	††	Connector	1				
29	††	Insulator	1				
30	* ———	Plain washer, no. 10	1				
31	* ———	Nut, no. 10-32 thread	2				
32	28IGS1180L	Drive shaft	1				
33	28IAD2004	Breaker plate assembly (includes 4, 5, 34-42)	1				

* Not serviced separately.

† 28P90-2655 Bearing and thrust washer package.

†† 28P90-550 Terminal stud and parts package.

††† 28P90-2157 Cap clamp spring package.

†††† 28P90-427 Follower gear package, YF10CS1.

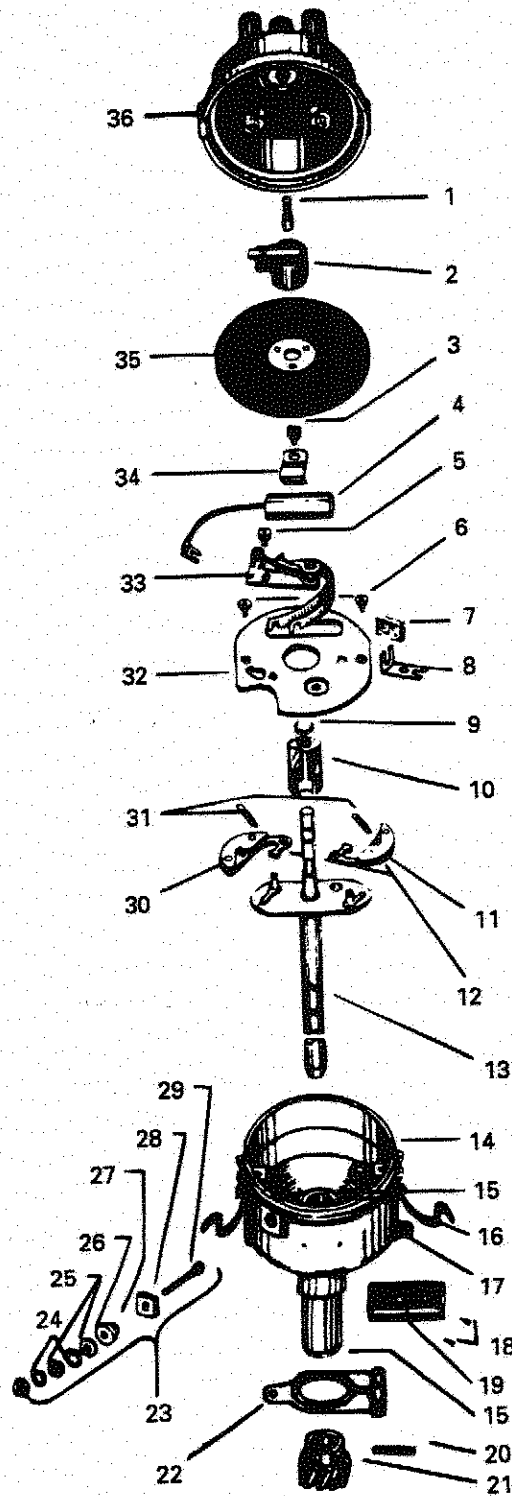
28P90-2107 Follower gear package,

YF10DS1.

GF99S1 Follower gear package, YF10ES1.

††††† 28P90-728 Wick and washer package.

YF14S1 Ignition Distributor (WICO Electric Company No. X30114)



YF14S1 Ignition Distributor

USE WITH MODELS VH4D, VG4D, VR4D (see pg. 9)

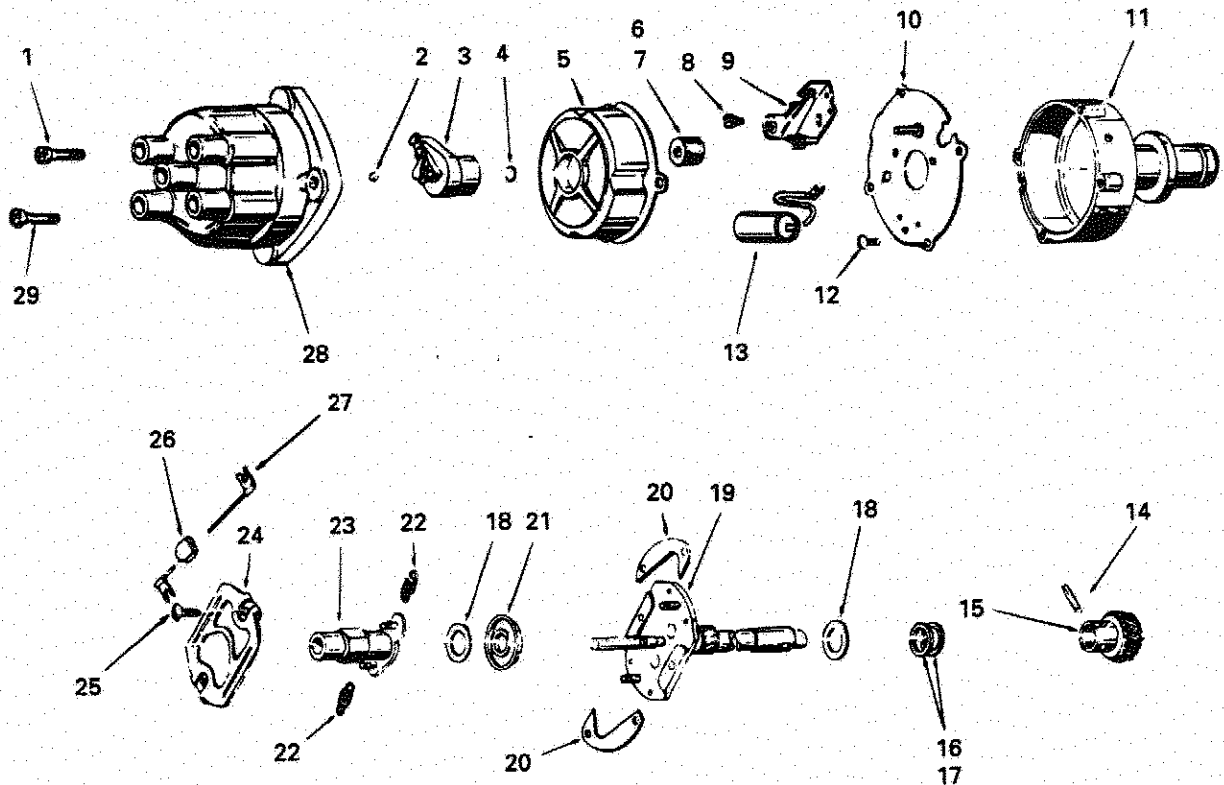
ITEM	PART NO.	DESCRIPTION	QTY	ITEM	PART NO.	DESCRIPTION	QTY
1	X30073	Distributor carbon and spring (included in X30042)	1	25	2573	Terminal stud lock washer (included in X30027)	2
2	X30039	Distributor rotor	1	26	IKB245	Terminal stud washer (included in X30027)	1
3	9851	Condenser clamp screw	1	27	9819	Terminal stud insulator (included in X30027)	1
4	X30028	Condenser	1	28	YD324	Stud insulating washer (included in X30027)	1
5	5900	Fixed contact clamp screw	1	29	YD321	Terminal stud (included in X30027)	1
6	9851	Breaker plate clamp screw	2	30	X30011	Stop weight group (included in X30097)	1
7	6318	Cam wiper felt	1	31	X30084	Advance spring set	1
8	30189	Cam wiper bracket	1	32	30005	Breaker plate	1
9	30068	Cam retaining ring	1	33	YQ11	Contact set	1
10	30025	Breaker cam	1	34	9636	Condenser clamp	1
11	X30016	Advance weight group (included in X30097)	1	35	X30036	Dust seal	1
12	X30097	Advance and stop weight unit	1	36	X30042	Distributor cap group	1
13	X30200	Drive shaft group	1	—	9929	Coil terminal protector (not illustrated)	1
14	X30215	Housing assembly	1	—	X30061B	Resistor	1
15	3534	Bushing (included in X30215)	2	—	30065A	Coil bracket (included in X30086) (not illustrated)	1
16	30023	Distributor cap spring (included in X30215)	2	—	30065B	Coil bracket screw (included in X30086) (not illustrated)	1
17	1423	Oiler	1	—	30065C	Coil bracket nut (included in X30086) (not illustrated)	1
18	5250	Name plate screw (included in X30215)	2	—	X30086	Coil bracket group (not illustrated)	1
19	30050	Name plate (included in X30215)	1	—	X30251	Coil assembly (not illustrated)	1
20	9828	Distributor gear pin	1				
21	30210	Distributor gear	1				
22	X30211	Distributor hold-down unit, Wisconsin PG543B	1				
23	X30027	Terminal stud unit (included in X30215)	1				
24	3230	Terminal stud nut (included in X30027)	2				

YF25S1 Ignition Distributor (Replaced By YF34)

USE WITH MODELS V460D, V461D (see pg. 11)

ITEM	PART NO.	DESCRIPTION	QTY	ITEM	PART NO.	DESCRIPTION	QTY
1	18-811735	Cap assembly (includes 18-1938193)	1	21	18-125947	Pipe plug	1
2	18-1900119	Housing cover assembly (includes 18-1889966, 18-1914309)	1	22	18-811912	Space washer	1
3	18-820445	Rotor	1	23	18-810074	Gear shim, .005"	1
4	18-1848038	Contact point and support	1	24	18-810078	Gear shim, .010"	1
5	18-1914916	Screw	1	25	18-1881717	Gear	1
6	18-813238	Breaker arm	1	26	18-1862218	Pin	1
7	18-1928111	Condenser (replaces 18-1869704)	1	27	18-1914142	Insulating bushing	1
8	18-1847643	Breaker plate	1	28	18-1916806	Terminal stud	1
9	18-453304	Screw	1	29	18-1914144	Lock clip	1
10	18-453299	Lock washer	1	30	18-120622	Nut	1
11	18-1889967	Spring clip	2	31	18-1847289	Support	1
12	18-1916805	Bushing	1	32	18-1923540	Nut	2
13	18-817363	Nut	1	33	18-1883121	Spring	2
14	18-1904376	Lock washer	1	34	18-1885558	Lock washer	2
15	18-453461	Screw	2	35	18-1963555	Cam felt wick	1
16	18-453299	Lock washer	2	36	18-1885557	Plate	1
17	18-453418	Screw	1	37	18-1942038	Cam automatic and breaker	1
18	18-453299	Lock washer	1	38	18-1921271	Flyweight (replaces 18-1873697)	2
19	18-1889999	Support	1	39	18-1947952	Main shaft and weight plate	1
20	18-1947954	Housing assembly (includes 5, 9, 10, 13-18, 21-27, 29, 30, 32-34, 36-40; includes 18-1909003)	1	40	18-811912	Spacer washer	1

YF34 Ignition Distributor (Delco-Remy No. 1112695)

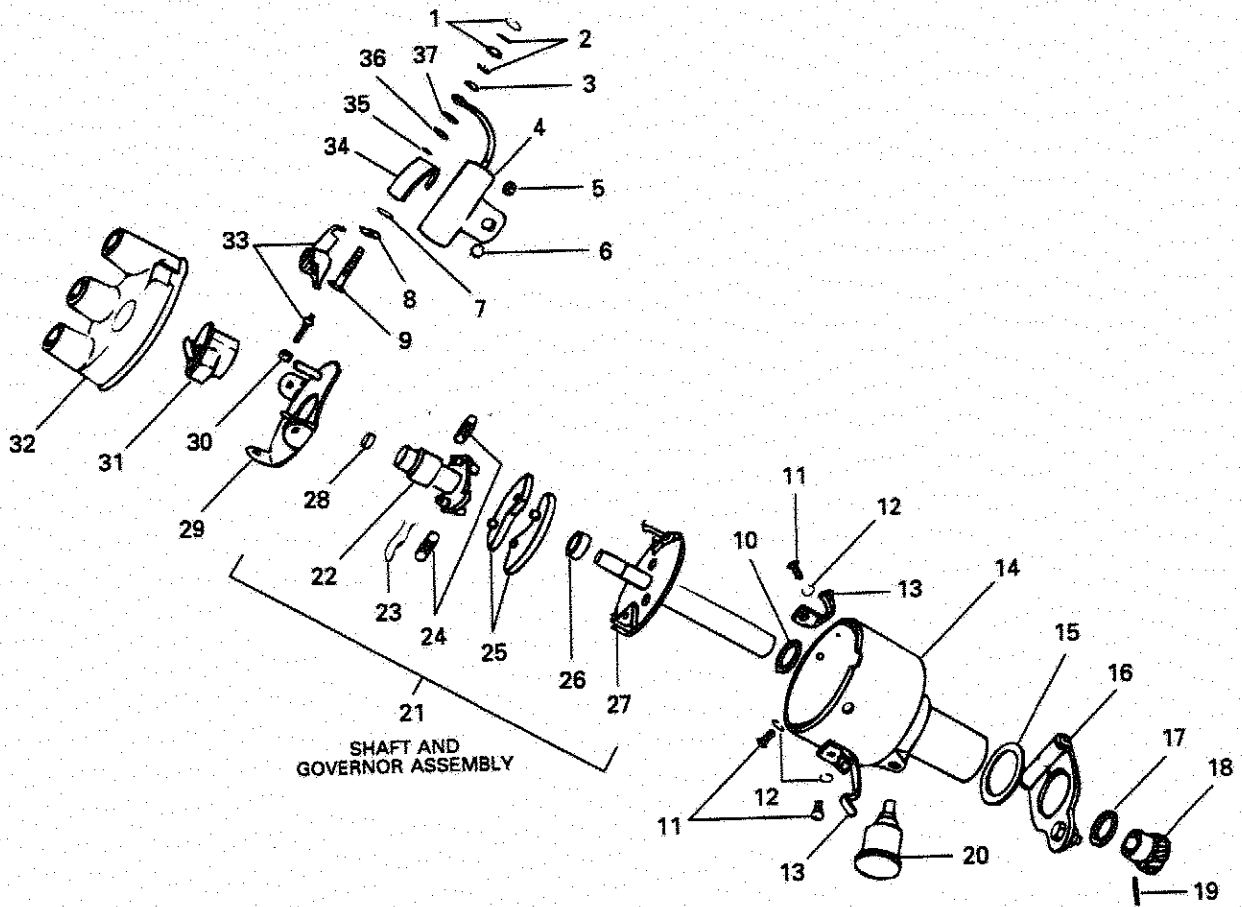


YF34 Ignition Distributor

USE WITH MODEL V465D (see pg. 13)

ITEM	PART NO.	DESCRIPTION	QTY	ITEM	PART NO.	DESCRIPTION	QTY
1	18-1954571	Screw, no. 8-32 thread	1	17	18-1912129	Gear shim, .010"	1
2	18-1938193	Carbon button	1	18	18-811912	Spacer washer	2
3	18-1954566	Rotor	1	19	18-1970032	Main shaft and weight plate	1
4	18-1963555	Cam felt wick	1	20	18-1880902	Flyweight	2
5	18-1960325	Housing cover	1	21	18-1950569	Seal	1
6	18-1963858	Retainer	1	22	18-1970504	Spring	2
7	18-1961088	Wick	1	23	18-1970505	Cam automatic and breaker	1
8	18-1914916	Screw	1	24	18-1954548	Plate	1
9	18-1954557	Contact point set	1	25	18-453647	Screw	2
10	18-1960814	Breaker plate	1	26	18-1960824	Grommet	1
11	18-1964208	Housing assembly (includes item 24)	1	27	18-1954563	Primary wire assembly	1
12	18-453461	Screw	2	28	18-1960833	Cap assembly (includes 1, 2, 29)	1
13	18-1928111	Condenser	1	29	18-1957573	Screw, no. 10-32 thread	1
14	18-9417392	Pin	1				
15	18-1970035	Gear	1				
16	18-810074	Gear shim, .005"	1				

YF35 Ignition Distributor (Prestolite No. IGW4412)



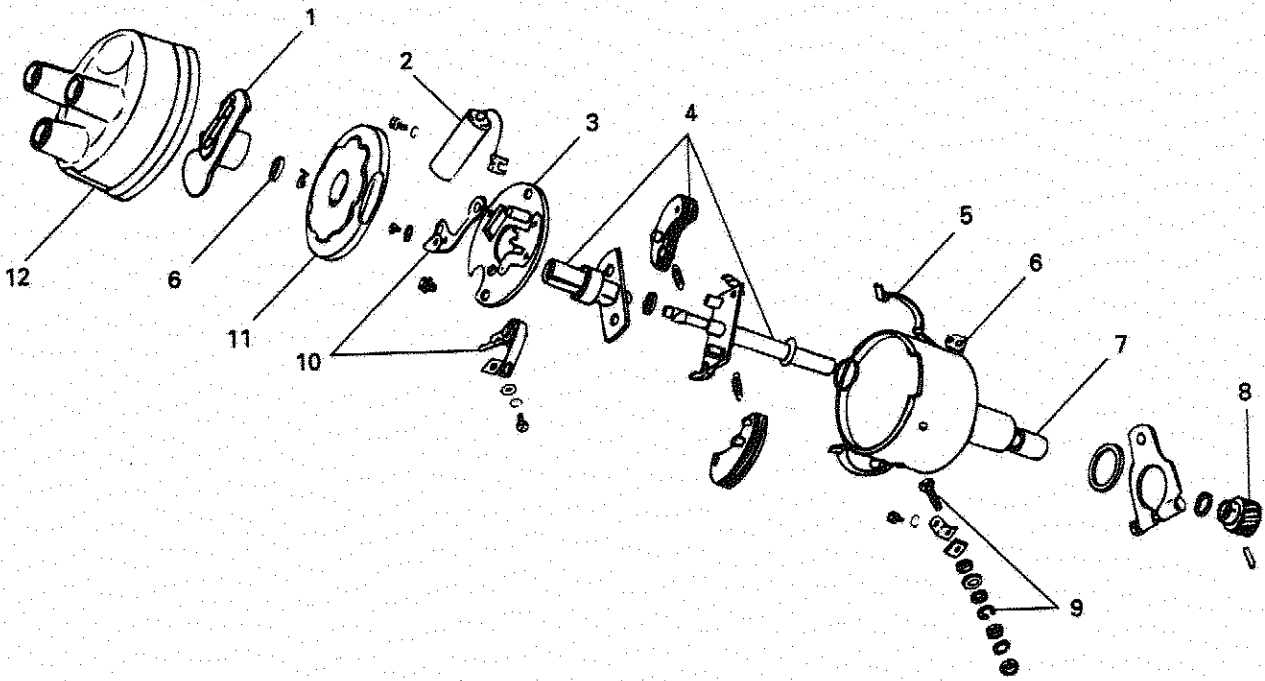
YF35 Ignition Distributor

USE WITH MODELS W2-880, THD, TJD (see pg. 15)

ITEM	PART NO.	DESCRIPTION	QTY	ITEM	PART NO.	DESCRIPTION	QTY
1	* — — —	Nut, no. 10-32 thread	2	24	28IGB327S	Spring set	1
2	* — — —	Lock washer, no. 10	2	22	28IGW2100LAM	Cam and stop plate	1
3	††	Washer, no. 10	1	23	†	Cam retaining spring	1
5	* — — —	Screw, no. 8-32 thread x 3/16" long	1	28	28P90-832	Wick package	1
4	* — — —	Condenser package	1	29	28IGB1010CS	Breaker plate	1
6	* — — —	Washer, no. 8	1	30	28IB23	Lock nut	1
7	††	Insulating washer	1	31	* — — —	Rotor	1
9	††	Terminal stud	1	32	28IGB1001B	Distributor cap assembly ...	1
25	28IGW1063LS	Governor weight set	1	33	YQ23	Points, condenser and rotor kit	1
26	†	Cam spacer	1	8	††	Washer	1
17	28IGW2143LA	Drive shaft	1	34	††	Insulation	1
11	* — — —	Screw, no. 8-32 thread x 5/16" long	3	35	††	Insulating bushing	1
12	* — — —	Lock washer, no. 8	3	36	††	Insulating washer	1
13	28IGB1007S	Clamp spring package	1	37	††	Washer, no. 10	1
14	* — — —	Base assembly	1	* Not serviced separately. † 28P90-740 Distributor shaft bearing and parts package (replaces 28P90-2634). †† 28P90-558 Terminal stud and parts package. ††† 28P90-433 Distributor shaft gear and parts package.			
15	28IG816	Thrust washer	1				
16	PG543A	Advance arm (replaces 28IG2860A3)	1				
17	†††	Thrust washer	1				
18	†††	Follower gear	1				
19	†††	Pin	1				
20	* — — —	Grease cup	1				
10	†	Thrust washer	1				
21	* — — —	Shaft and governor assembly (includes 10, 24, 26)	1				

YF40 Ignition Distributor (Prestolite No. IAD4046)

USE WITH MODEL TJD

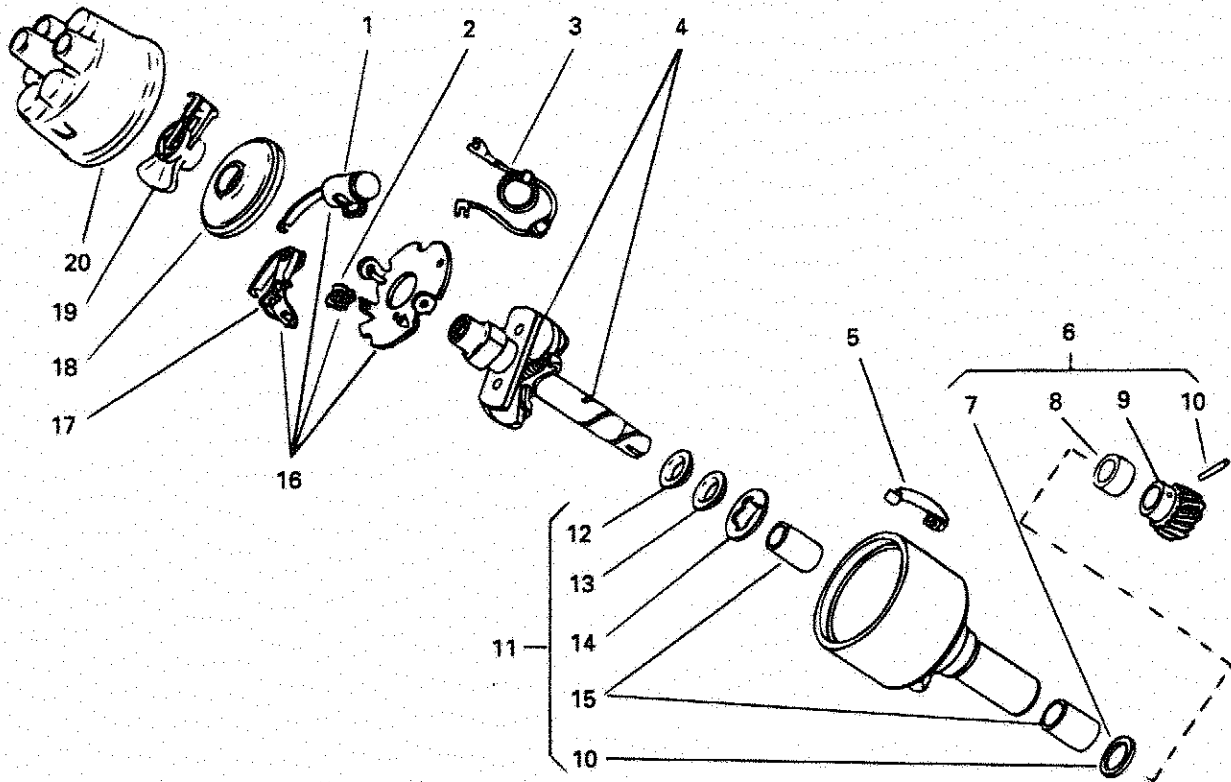


ITEM	PART NO.	DESCRIPTION	QTY	ITEM	PART NO.	DESCRIPTION	QTY
1	††	Rotor	1	9	28P90-550	Terminal stud and parts package (includes insulating bushing, connector, insulator, terminal stud, insulating washer)	1
2	††	Condenser package	1	10	††	Breaker contact set	1
3	28IAD2004	Breaker plate assembly (includes 2, 10; includes spring clip, screw, lock washer, plain washers, lockscrew, screw)	1	11	28IAD2015	Dust cover assembly (includes felt seal)	1
4	28IAD318OLA	Shaft, governor and cam assembly (NLA)	1	12	28IG1324G	Distributor cap assembly (includes plunger contact and spring)	1
5	28-90-2157	Cap clamp spring package (includes bracket, rivet, clamp spring, screw)	1	—	YQ21	Points, condenser and rotor kit	1
6	† 28P90-728	Oil wick and washer package	1				
7	† 28P90-390	Bearing and parts package (includes bronze bearing, thrust washer)	1				
8	28P90-486	Gear and parts package (includes follower gear, pin, thrust washer)	1				

† Contains additional parts for other applications.
 †† YQ21 Points, condenser and rotor kit.

YF42 Ignition Distributor (Prestolite No. IBT4201)

USE WITH MODELS W2-1230, W2-1235



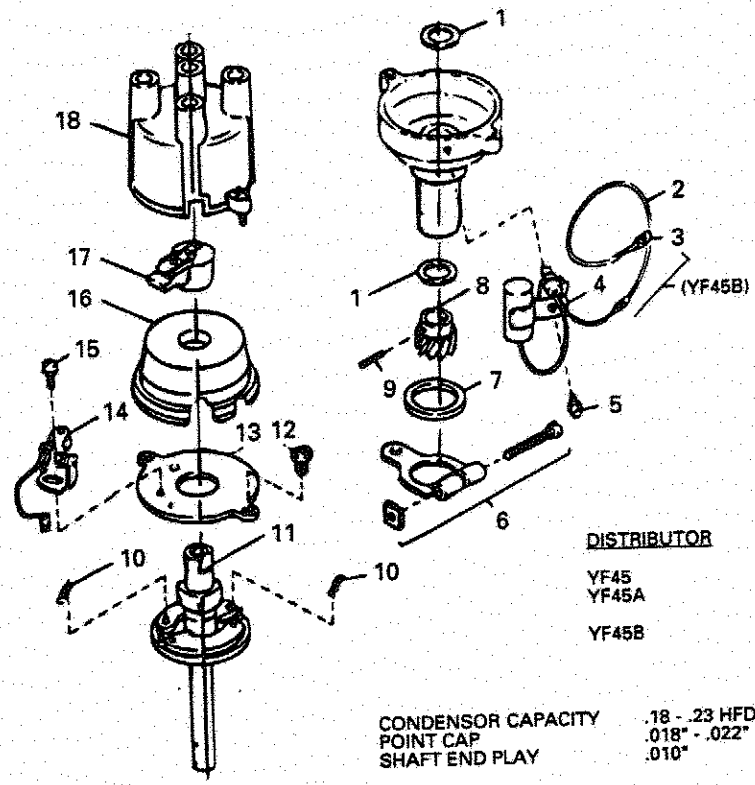
ITEM	PART NO.	DESCRIPTION	QTY	ITEM	PART NO.	DESCRIPTION	QTY
1	* _____	Condenser package	1	15	* _____	Bronze bearing	2
2	28-90-2067	Clip and insulator package	1	16	28IBT2004RCS	Breaker plate assembly (includes 1, 2, 17)	1
3	28IBT14AC	Wire assembly	1	17	* _____	Contact breaker set	1
4	28IBT3095E	Shaft, governor and cam assembly	1	18	28IBT1059B	Dust cover (includes felt washer)	1
5	28IBT1007BS	Cap clamp spring package	1	19	* _____	Rotor	1
6	28-90-2729	Gear and parts package (includes 7-9)	1	20	28IBK1007D	Distributor cap assembly (includes terminal contacts)	1
7	* _____	Spacer	1		YQ25	Points, condenser and rotor kit (includes 1, 17, 19)	1
8	* _____	Follower gear	1				
9	* _____	Pin	1				
10	* _____	Thrust washer	1				
11	† 28-90-2655	Bearing and parts package (includes 10, 12-15)	1				
12	* _____	Thrust washer	1				
13	* _____	Thrust washer	1				
14	* _____	Grease seal	1				

* Not serviced separately.

† Contains additional parts to service other applications.

FMD 4C 6L8
4 B

YF45S1, YF45AS1, YF45B Colt Distributor
USE WITH MODELS VG4D, VH4D, V465D, W4-1770



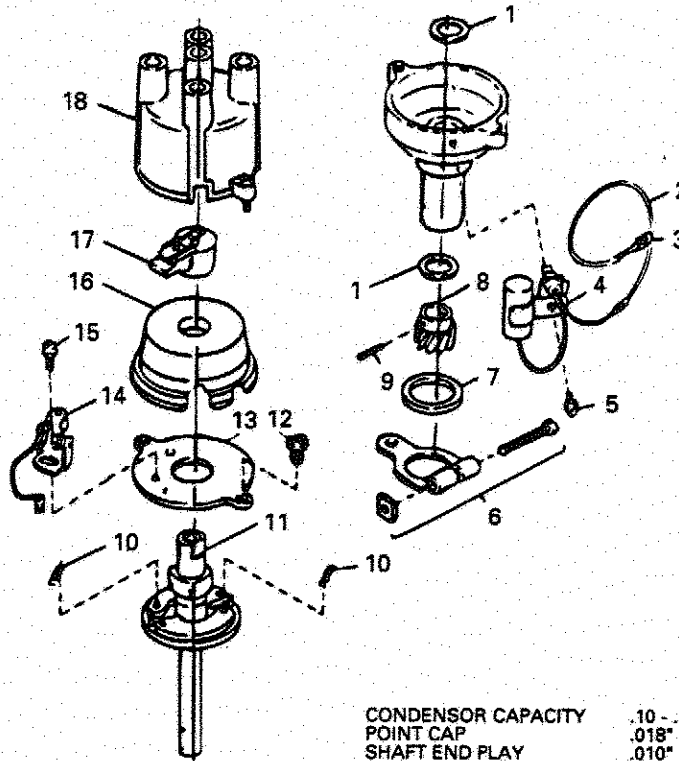
DISTRIBUTOR	APPLICATION
YF45	VH4D, VG4D, V465D
YF45A	VH4D, W4-1770, (TOP MOUNTED)
YF45B	VG4D (TOP MOUNTED)

CONDENSER CAPACITY .18 - .23 HFD
POINT CAP .018" - .022"
SHAFT END PLAY .010"

ITEM	PART NO.	DESCRIPTION	QTY	ITEM	PART NO.	DESCRIPTION	QTY
1	* _____	Washer	2	—	† 31-13001679	Gear kit (YF45B) (includes 1, 8, 9)	1
2	YL394-18	Extension wire (not used with YF453)	1	11	* _____	Shaft assembly	1
3	31-13001655	Clip	1	12	31-13001616	Insert	2
—	YQ26	Breaker kit (includes 4, 5, 14, 15, 19)	1	13	31-13001598	Breaker plate	1
4	* _____	Condenser assembly	1	14	* _____	Breaker set	1
5	* _____	Screw	1	15	* _____	Screw and washer assembly	1
—	PG54341	Advance arm kit (includes 6, 7)	1	16	31-13001604	Shield	1
6	* _____	Advance arm assembly	1	—	YQ27	Distributor cap and rotor kit (includes 17, 18)	1
7	* _____	Washer	1	17	† 31-13001607	Rotor	1
8	* _____	Gear	1	18	* _____	Cap	1
9	* _____	Pin	1	19	* _____	Lube capsule (not illustrated)	1
—	31-13001666	Shaft kit (includes 10, 11) ...	1	20	* _____	Spacer (not illustrated)	1
10	† 31-13001661	Spring kit	1				
—	† 31-13001677	Gear kit (YF45) (includes 1, 8, 9)	1				
—	† 31-13001678	Gear kit (YF45A) (includes 1, 8, 9, 20)	1				

* Not serviced separately.
† Also sold separately.

YF46S1 Colt Distributor
USE WITH MODELS TJD, W2-880



CONDENSOR CAPACITY .10 - .23 HFD
 POINT CAP .018" - .022"
 SHAFT END PLAY .010"

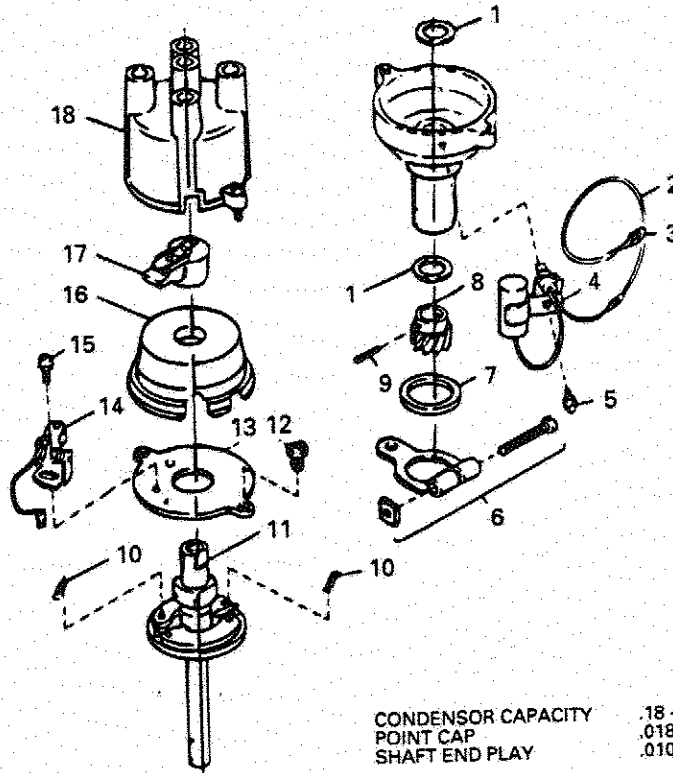
ITEM	PART NO.	DESCRIPTION	QTY	ITEM	PART NO.	DESCRIPTION	QTY
1	* ———	Washer	2	13	31-1300159A	Breaker plate	1
2	YL394-10	Extension wire	1	14	* ———	Breaker set	1
3	31-13001655	Clip	1	15	* ———	Screw and washer assembly	1
4	* ———	Condenser assembly	1	16	31-13001604	Shield	1
5	* ———	Screw	1	—	YQ28	Distributor cap and rotor kit (includes 17, 18)	1
—	PG543A1	Advance arm kit (includes 6, 7)	1	17	† 31-13001607	Rotor	1
6	* ———	Advance arm assembly	1	18	* ———	Cap	1
7	* ———	Washer	1	19	* ———	Lube capsule (not illustrated)	1
8	* ———	Gear	1				
9	* ———	Pin	1				
—	31-13001667	Shaft kit (includes 10, 11) ...	1				
10	† 31-13001662	Spring kit	1				
—	† 31-13001680	Gear kit (includes 1, 8, 9) ...	1				
11	* ———	Shaft assembly	1				
12	31-13001616	Insert	2				
—	YQ26	Breaker kit (includes 4, 5, 14, 15, 19)	1				

* Not serviced separately.

† Also sold separately.

YF47S1 Colt Distributor

USE WITH MODEL THD



CONDENSOR CAPACITY
POINT GAP
SHAFT END PLAY

.18 - .23 HFD
.018" - .022"
.010"

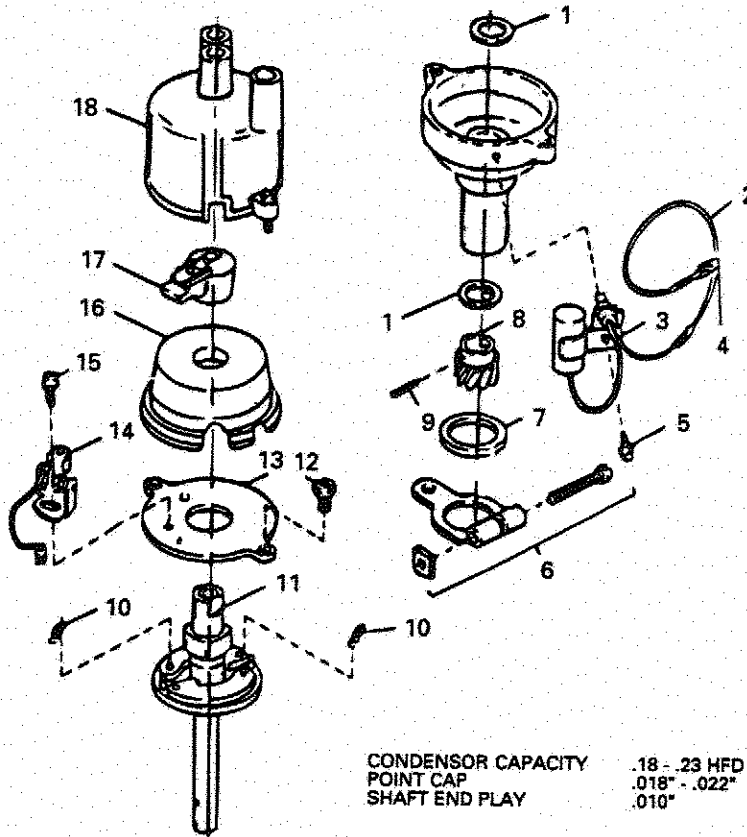
ITEM	PART NO.	DESCRIPTION	QTY	ITEM	PART NO.	DESCRIPTION	QTY
—	31-13001680	Gear kit (includes 1, 8, 9) ...	1	13	31-1300159A	Breaker plate	1
1	* ———	Washer	2	14	* ———	Breaker set	1
2	YL394-10	Extension wire	1	15	* ———	Screw and washer assembly	1
3	31-13001655	Clip	1	16	31-13001604 YQ29	Shield	1
4	* ———	Condenser assembly	1	—	—	Distributor cap and rotor kit (includes 17, 18)	1
5	* ———	Screw	1	17	† 31-13001607	Rotor	1
6	* ———	Advance arm assembly	1	18	* ———	Cap	1
7	* ———	Washer	1	—	* ———	Lube capsule (not illustrated)	1
8	* ———	Gear	1				
—	PG543A1	Advance arm kit (includes 6, 7)	1				
9	* ———	Pin	1				
—	31-1300166A	Shaft kit (includes 10, 11) ...	1				
10	† 31-13001662	Spring kit	1				
11	* ———	Shaft assembly	1				
12	31-13001616	Insert	2				
—	YQ26	Breaker kit (includes 4, 5, 14, 15; includes lube capsule)	1				

* Not serviced separately.

† Also sold separately.

YF48S1 Colt Distributor

USE WITH MODELS W2-1230, W2-1235



CONDENSOR CAPACITY .18 - .23 HFD
 POINT CAP .018" - .022"
 SHAFT END PLAY .010"

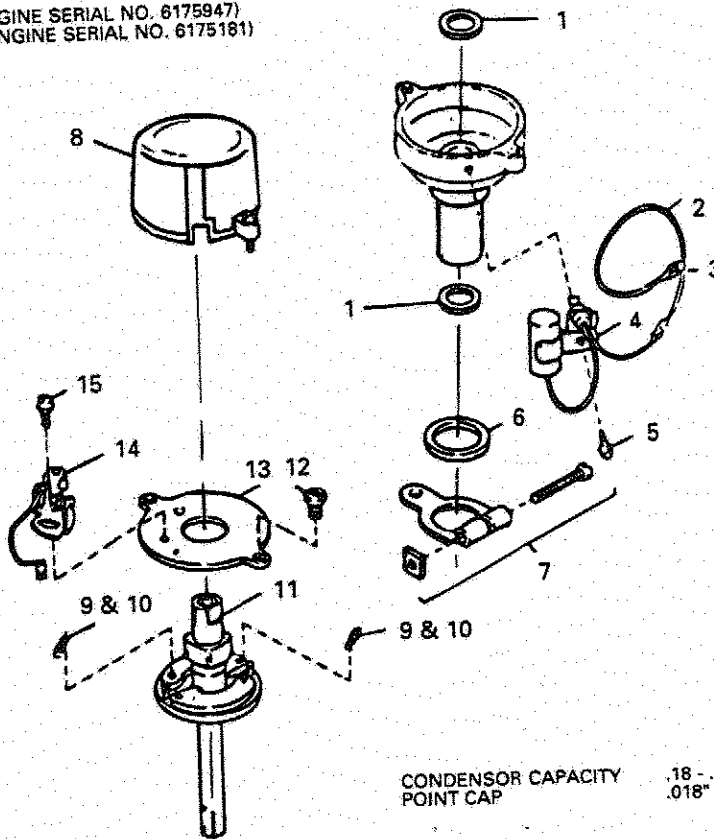
ITEM	PART NO.	DESCRIPTION	QTY	ITEM	PART NO.	DESCRIPTION	QTY
—	YQ30	Distributor cap and rotor kit (includes 17, 18)	1	11	* ———	Shaft assembly	1
1	* ———	Washer	2	12	31-13001616	Insert	2
2	YL394-18	Extension wire	1	13	31-13001598	Breaker plate	1
3	* ———	Condenser assembly	1	—	YQ26	Breaker kit	
4	31-13001655	Clip	1			(includes 3, 5, 14, 15; includes lube capsule)	1
5	* ———	Screw	1	14	* ———	Breaker set	1
—	PG543A1	Advance arm kit (includes 6, 7)	1	15	* ———	Screw and washer assembly	1
6	* ———	Advance arm assembly	1	16	31-13001604	Shield	1
7	* ———	Washer	1	17	31-13001607	Rotor	1
8	* ———	Gear	1	18	* ———	Cap	1
9	* ———	Pin	1	—	* ———	Lube capsule (not illustrated)	1
—	31-13001669	Shaft kit (includes 10, 11)	1	—	* ———	Spacer (not illustrated)	1
10	31-13001663	Spring kit	1				
—	31-13001681	Gear kit (includes 1, 8, 9; includes spacer)	1				

* Not serviced separately.

YF49S1, YF49AS1 Colt Distributor

USE WITH MODELS AENL, AGND, ACN, BKN

(YF49S1 EFFECTIVE WITH ENGINE SERIAL NO. 6175947)
 (YF49AS1 EFFECTIVE WITH ENGINE SERIAL NO. 6175181)



CONDENSOR CAPACITY
POINT CAP

.18 - .23 HFD
.018" - .022"

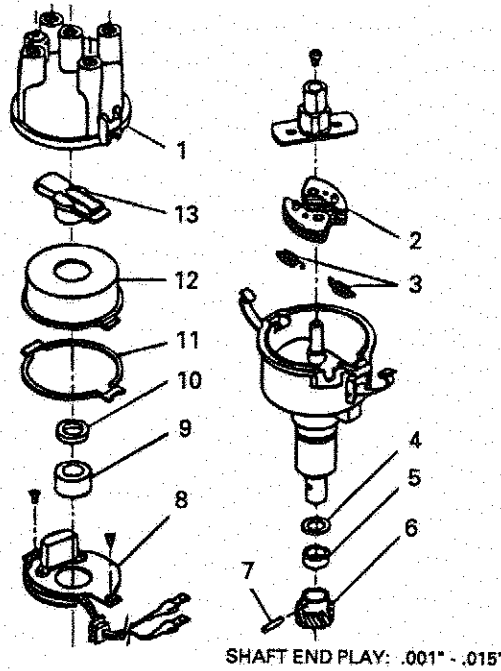
ITEM	PART NO.	DESCRIPTION	QTY	ITEM	PART NO.	DESCRIPTION	QTY
1	31-13001603	Washer	2	9	† 31-13001664	Spring kit (YF49)	
2	YL394-10	Extension wire		10	31-13001665	Spring kit (YF49A)	1
—	YL394-6	Extension wire (YF49S1)	1	—	PG543A1	Advance arm kit	
3	31-13001655	Clip	1	—		(includes 1, 6)	1
—	YQ26	Breaker kit		11	* ———	Shaft assembly	1
4	* ———	(includes 4, 5, 14, 15)	1	12	31-13001616	Insert	2
5	* ———	Condenser assembly	1	13	31-13001598	Breaker plate	1
—	31-13001670	Screw	1	14	* ———	Breaker set	1
—	31-13001671	Shaft assembly kit (YF49)		15	* ———	Screw and washer	
6	* ———	(includes 9, 11)	1			assembly	1
7	* ———	Shaft assembly kit (YF49A)					
8	31-13001676	(includes 10, 11)	1				
		Washer	1				
		Advance arm assembly	1				
		Timer cap					
		(includes item 5;					
		includes cap)	1				

* Not serviced separately.

† Also sold separately.

YF50S1, YF50AS1 Ignition Distributor

USE WITH MODELS VH4D, W4-1770, VG4D, V465D



ITEM	PART NO.	DESCRIPTION	QTY
—	20121003	Distributor cap and gasket (includes 1, 11)	1
1	* ———	Vented distributor cap	1
2	20120015	Advance weights set	1
3	20120012	Advance spring set	1
—	20121001	Gear kit (includes 4-7)	1
4	* ———	Thrust washer set	1
5	* ———	Spacer (YF50AS1)	1
6	* ———	Gear	1
7	* ———	Roll pin	1
8	20120005	Electronic module (includes screws)	1
9	20120004	Magnet assembly	1
—	20120006	Rotor and spacer (includes 10, 13)	1
10	† 20120011	Rotor spacer	1
11	† 20120010	Distributor cap gasket	1
12	20120003	Dust cover	1
13	* ———	Rotor	1
—	YL394-18	Wire, extension (not illustrated)	2

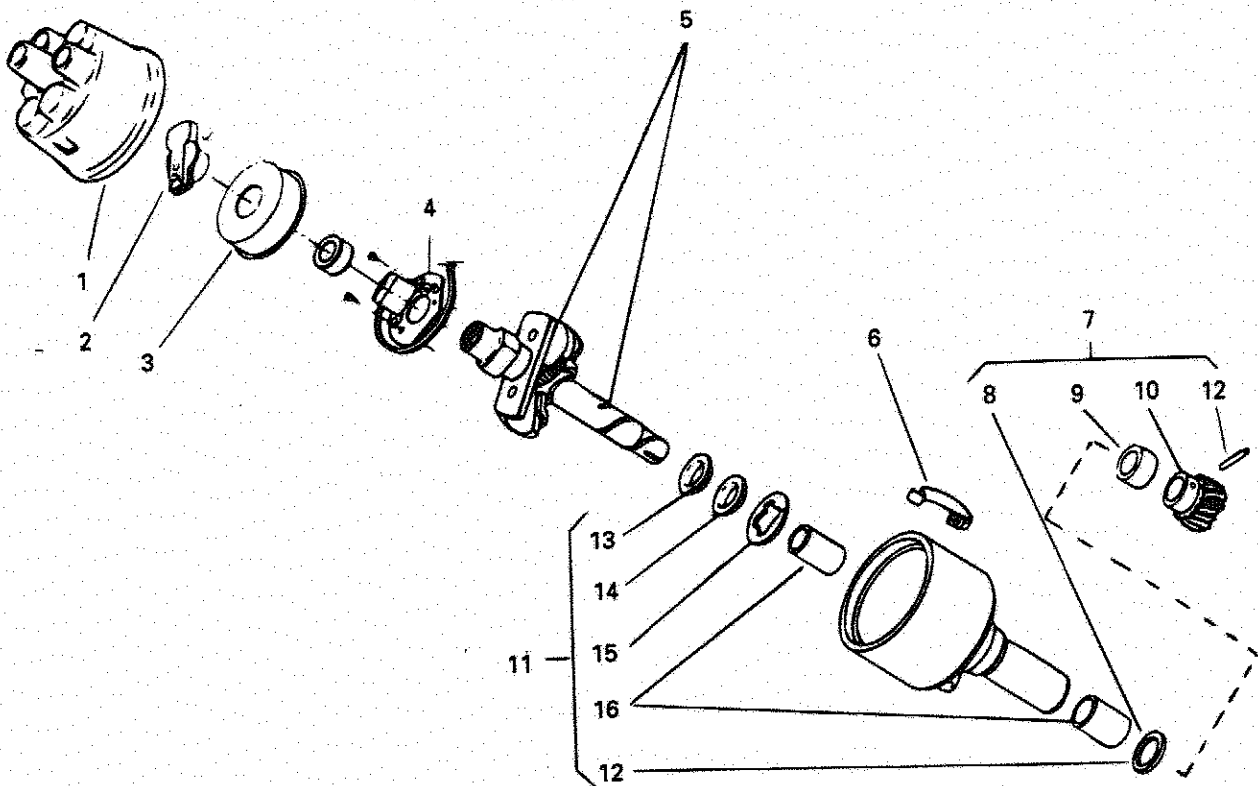
* Not serviced separately.

† Also sold separately.

*Top mount
Gear kit
20121001
Side Gear kit
20121001*

YF51 Ignition Distributor (Per-Lux No. 041-09A)

USE WITH MODEL W2-1250



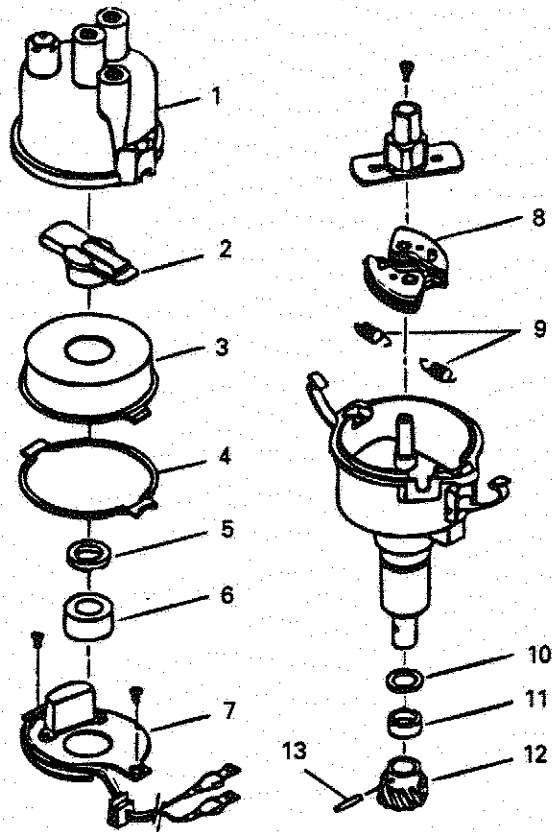
ITEM	PART NO.	DESCRIPTION	QTY	ITEM	PART NO.	DESCRIPTION	QTY
1	20120001	Distributor cap	1	9	* _____	Washer (not illustrated)	1
2	20120002	Rotor	1	10	* _____	Follower gear	1
3	20120003	Dust cover assembly (includes felt washer)	1	11	* _____	Pin	1
4	20120004	Magnet assembly	1	12	* _____	Bearing and parts package (includes 12-16)	1
—	* _____	Clip and insulator package (not illustrated)	1	13	* _____	Thrust washer	1
—	†	Screw (not illustrated)	2	14	* _____	Pin (not illustrated)	1
—	* _____	Wire assembly (not illustrated)	1	15	* _____	Thrust washer	1
5	* _____	Shaft, governor and cam assembly	1	16	* _____	Grease seal	1
6	* _____	Cap clamp spring package	1			Bronze bearing	2
7	* _____	Gear and parts package (includes 8-10)	1				
8	* _____	Spacer	1				

* Not serviced separately.

† Contains additional parts to service other applications.

YF51S1 Ignition Distributor

USE WITH MODEL W2-1250



SHAFT END PLAY: .001" - .015"

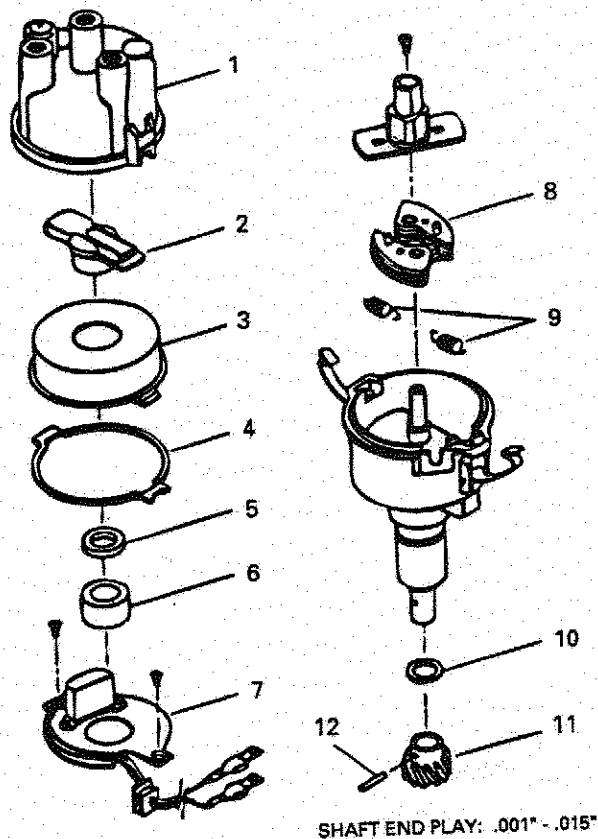
ITEM	PART NO.	DESCRIPTION	QTY	ITEM	PART NO.	DESCRIPTION	QTY
—	20121004	Distributor cap and gasket (includes 1, 4)	1	8	20120016	Advance weights set	1
1	* — — —	Vented distributor cap	1	9	20120014	Advance spring set	1
—	20121006	Rotor and spacer (includes 2, 5)	1	—	20121001	Gear kit (includes 10-13) ...	1
2	* — — —	Rotor	1	10	* — — —	Thrust washer set	1
3	20120003	Dust cover	1	11	* — — —	Spacer	1
4	† 20120010	Distributor cap gasket	1	12	* — — —	Gear	1
5	† 20120011	Rotor spacer	1	13	* — — —	Roll pin	1
6	20120007	Magnet assembly	1	—	YL394-18	Wire, extension	2
7	20120009	Electronic module (includes screws)	1				

* Not serviced separately.

† Also sold separately.

YF52S1 Ignition Distributor

USE WITH MODELS TJD, W2-880

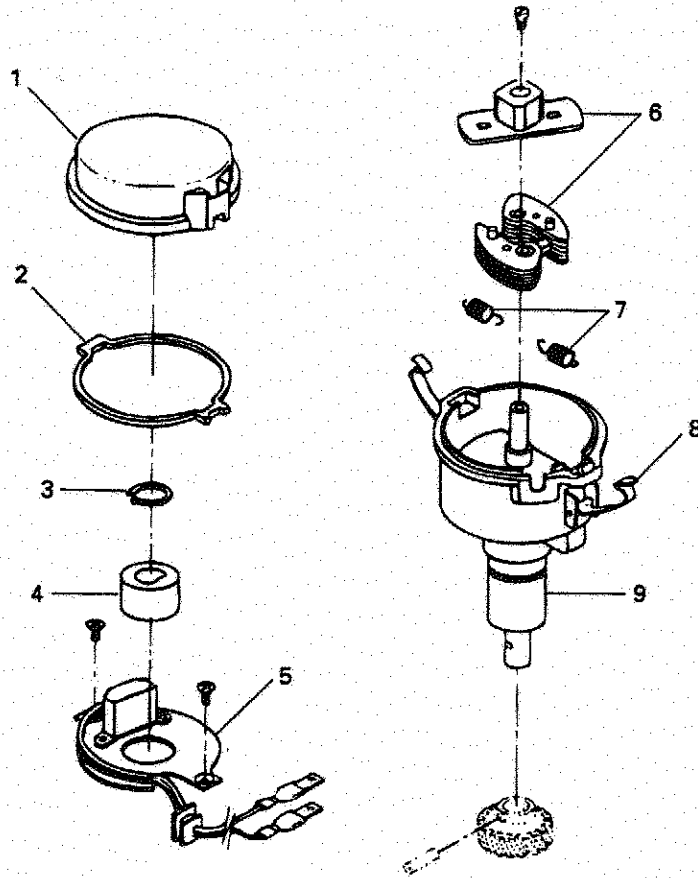


ITEM	PART NO.	DESCRIPTION	QTY	ITEM	PART NO.	DESCRIPTION	QTY
—	20121005	Distributor cap and gasket (includes 1, 4)	1	8	20120015	Advance weights set	1
1	* ———	Vented distributor cap	1	9	20120013	Advance spring set	1
—	20121006	Rotor and spacer (includes 2, 5)	1	—	20121002	Gear kit (includes 10-12)	1
2	* ———	Rotor	1	10	* ———	Thrust washer set	1
3	20120003	Dust cover	1	11	* ———	Gear	1
4	† 20120010	Distributor cap gasket	1	12	* ———	Roll pin	1
5	† 20120011	Rotor spacer	1	—	YL394-10	Wire, extension	2
6	20120006	Magnet assembly	1				
7	20120008	Electronic module (includes screws)	1				

* Not serviced separately.

† Also sold separately.

YF53S1 Ignition Timer

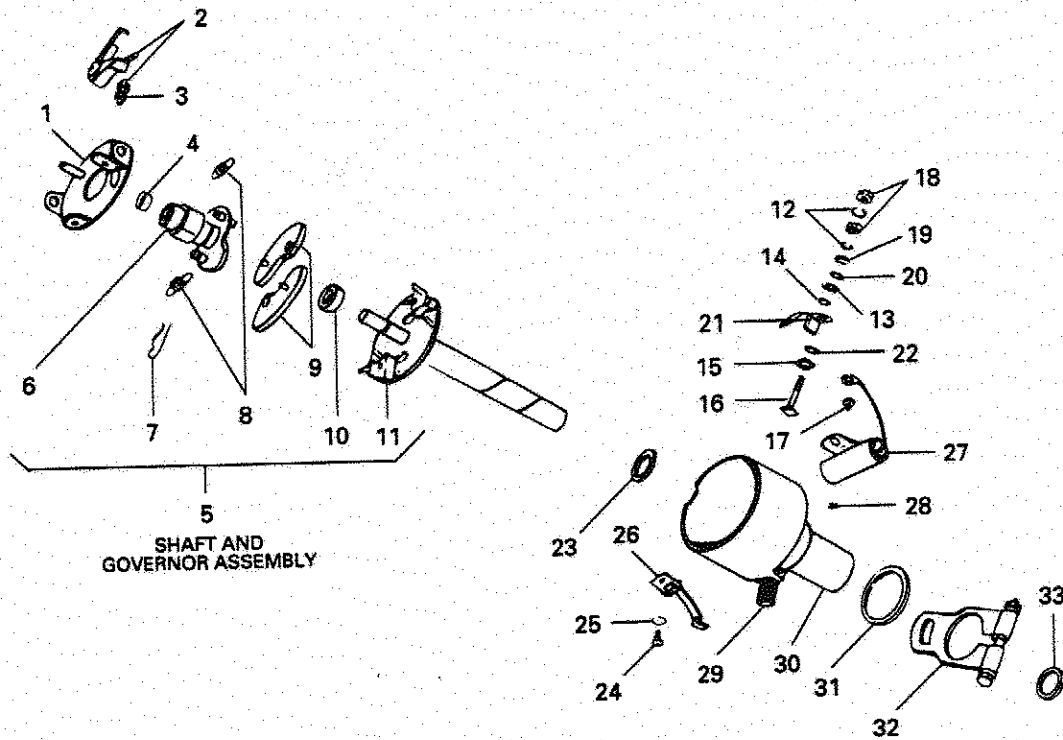


ITEM	PART NO.	DESCRIPTION	QTY
—	PG543A1	Advance arm assembly (not illustrated)	1
1	20121009	Timer cap and gasket (includes item 2)	1
2	20120010	Gasket, timer cap	1
3	20120021	Ring, retainer	1
4	20121010	Magnet (includes item 3)	1
5	20120009	Electronic module	1
6	20121008	Advance weight set	1
7	20121007	Advance spring set	1
8	20120023	Clip	2
9	20120022	O-ring	1
—	GD144A	Gear	1
—	PA466	Roll pin	1
—	YL394-10	Wire (- black)	1
—	YL396-10	Wire (+ red)	1

NOTE: Gear, pin and wires are not included with YF53S1 ignition timer.

YF8S1 Ignition Timer (Electric Auto-Lite No. IGW4167)

USE WITH MODELS AFH, AGH, AHH

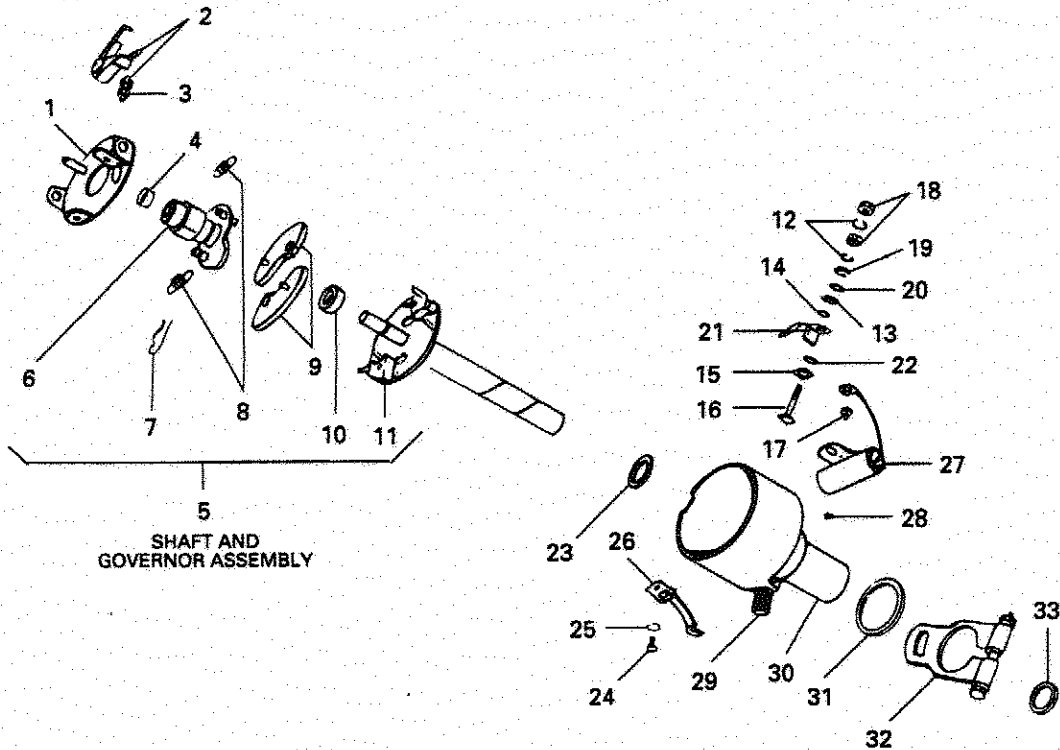


ITEM	PART NO.	DESCRIPTION	QTY	ITEM	PART NO.	DESCRIPTION	QTY
1	IGB1010C	Breaker plate	1	19	8X183A	Washer, no. 10	1
2	* _____	Breaker contact set	1	20	X1270	Washer, no. 10	1
3	IB23	Lock nut	1	21	IGB21	Insulation	1
4	IB495	Felt wick	1	22	28P90-558	Terminal stud and parts package (includes 15, 16) ...	1
5	IGW3103RB	Shaft and governor assembly (includes 6-11) ...	1	23	IGS104	Thrust washer	1
6	IGW2100RAD	Cam and stop plate	1	24	8X304	Screw, no. 8-32 thread x 5/16" long	3
7	28P90-140	Cam retaining spring	1	25	12X195	Lock washer, no. 8	3
8	IGB301S	Spring set (NLA)	1	26	IGB1007	Clamp spring and hinge	2
9	IGW1014RB	Governor weight	2	27	YQ24	Condenser, breaker contact set	1
10	* _____	Cam spacer	1	28	X1276	Washer, no. 8	1
11	IGW2103R	Drive shaft	1	29	X490A	Oiler	1
12	12X196	Lock washer, no. 10	2	30	IGB2176G	Base assembly (includes IG579A)	1
13	IGB22	Insulating washer	1	31	IG816A	Thrust washer	1
14	CB140	Insulating bushing	1	32	IG1860A1	Advance arm	1
15	* _____	Washer	1	33	IG90	Thrust washer	1
—	IGW188	Felt wick (not illustrated) ...	1				
16	* _____	Terminal stud	1				
17	8X59	Screw, no. 8-32 thread x 3/16" long	1				
18	8X173	Nut, no. 10-32 thread	2				

* Not serviced separately.

YF8AS1 Ignition Timer (Electric Auto-Lite No. IGW4179)

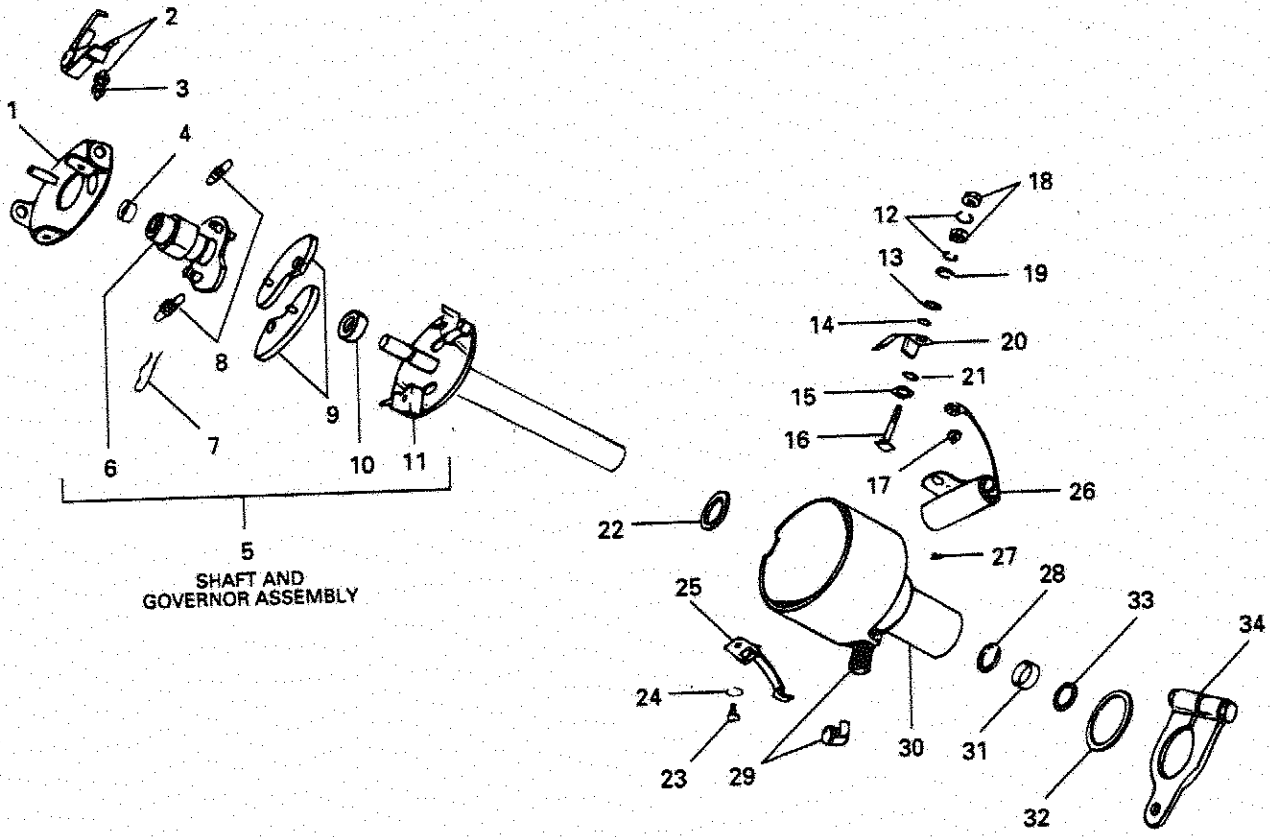
USE WITH MODELS AGN, AKN, AKS



ITEM	PART NO.	DESCRIPTION	QTY	ITEM	PART NO.	DESCRIPTION	QTY
1	28IGW1010CS	Breaker plate	1	19	*-----	Washer, no. 10	1
2	*-----	Breaker contact set, YQ24	1	20	*-----	Washer, no. 10	1
3	28IB23	Lock nut	1	21	*-----	Insulation	1
4	*-----	Felt wick	1	22	28P90-558	Terminal stud and parts package (includes 15, 16) ...	1
5	IGW3103LA	Shaft and governor assembly (includes 6-11) ...	1	23	*-----	Thrust washer	1
6	IGW2100LAD	Cam and stop plate	1	24	*-----	Screw, no. 8-32 thread x 5/16" long	3
7	*-----	Cam retaining spring	1	25	*-----	Lock washer, no. 8	3
8	IGB301S	Spring set (NLA)	1	26	28IGW1007S	Clamp spring and hinge	2
9	IGW1014LB	Governor weight	2	27	YQ24	Condenser package	1
10	*-----	Cam spacer	1	28	*-----	Washer, no. 8	1
11	IGW2103L	Drive shaft	1	29	*-----	Oiler	1
12	*-----	Lock washer, no. 10	2	30	28P90-2647	Base assembly (includes bronze bearing)	1
13	*-----	Insulating washer	1	31	*-----	Thrust washer	1
14	*-----	Insulating bushing	1	32	*-----	Advance arm	1
15	*-----	Washer	1	33	*-----	Thrust washer	1
—	IGW188	Felt wick (not illustrated)....	1				
16	*-----	Terminal stud	1				
17	*-----	Screw, no. 8-32 thread x 3/16" long	1				
18	*-----	Nut, no. 10-32 thread	2				

* Not serviced separately.

**YF8DS1 Ignition Timer (Prestolite No. IGW4407)
(YF8BS1, YF8S1 Obsolete Timers) (Prestolite Nos. IGW4402, IGW4167)**



YF8DS1 Ignition Timer

USE WITH MODELS AGND, ADH, AEH, AHH (see pg. 32)

ITEM	PART NO.	DESCRIPTION	QTY	ITEM	PART NO.	DESCRIPTION	QTY
1	IGB1010C	Breaker plate	1	20	††	Insulation	1
2	YQ24	Breaker contact set kit	1	21	††	Insulating washer	1
3	IB23	Lock nut	1	22	†	Thrust washer	1
4	IG495	Felt wick	1	23	* — — —	Screw, no. 8-32 thread x 5/16" long	3
5	* — — —	Shaft and governor assembly (includes 6-11) ...	1	24	* — — —	Lock washer, no. 8	3
6	IGW2100RAK	Cam and stop plate (IGW4407, IGW4402)	1	25	IGB1007S	Clamp spring and hinge package	1
—	IGW2100RAD	Cam and stop plate (IGW4167)	1	26	YQ24	Condenser kit	1
7	†	Cam retaining spring	1	27	* — — —	Washer, no. 8	1
8	IGB397S	Spring set (IGW4407, IGW4402)	1	28	IAU10	Washer (IGW4407)	1
—	IGB301S	Spring set (IGW4167) (NLA)	1	29	X1590	Oiler (IGW4402, IGW4167)	1
9	IGW1014RBS	Governor weight set	1	30	* — — —	Base assembly (includes bronze bearing)	1
10	†	Cam spacer	1	31	†	Shaft oil seal (IGW4407) ...	1
11	IGW2113R	Drive shaft (IGW4407)	1	32	IG816A	Thrust washer	1
—	IGW2103R	Drive shaft (IGW4402, IGW4167)	1	33	†	Thrust washer	1
12	* — — —	Lock washer, no. 10	2	34	IG1860A1	Advance arm (IGW4402, IGW4167)	1
13	††	Insulating washer	1	—	IG860A	Advance arm (IGW4407)	1
14	††	Insulating bushing	1				
15	††	Washer	1				
—	IGW188	Felt wick (not illustrated) ...	1				
16	††	Terminal stud	1				
17	* — — —	Screw, no. 8-32 thread x 3/16" long	1				
18	* — — —	Nut, no. 10-32 thread	2				
19	* — — —	Washer, no. 10	1				

* Not serviced separately.

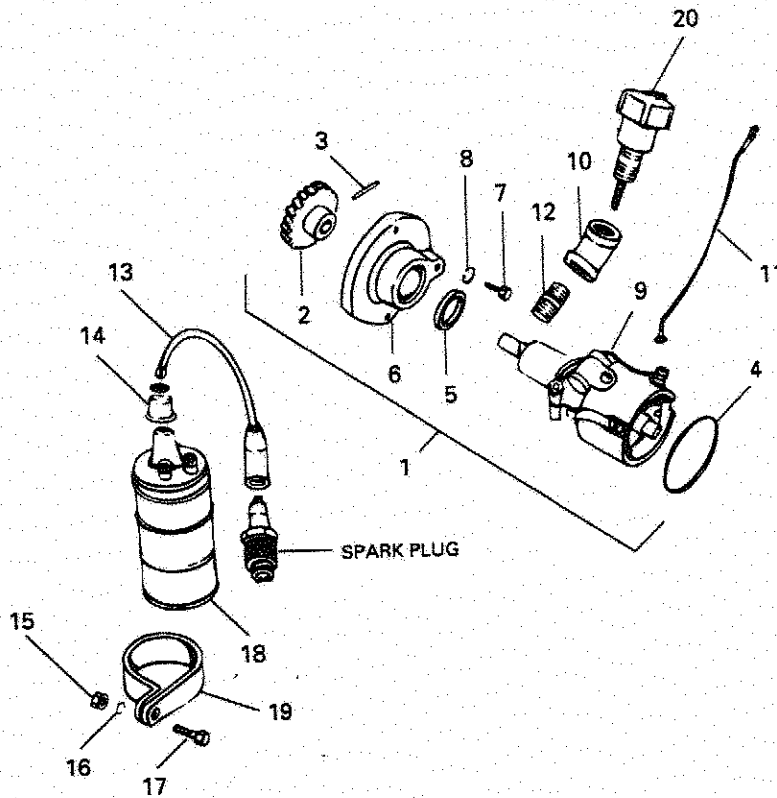
† 28P90-740 Distributor shaft bearing and parts package, IGW4402, IGW4167.

28P90-2647 Distributor shaft bearing and parts package, IGW4407.

†† 28P90-558 Terminal stud and parts package.

TF102 Ignition Timer And Coil

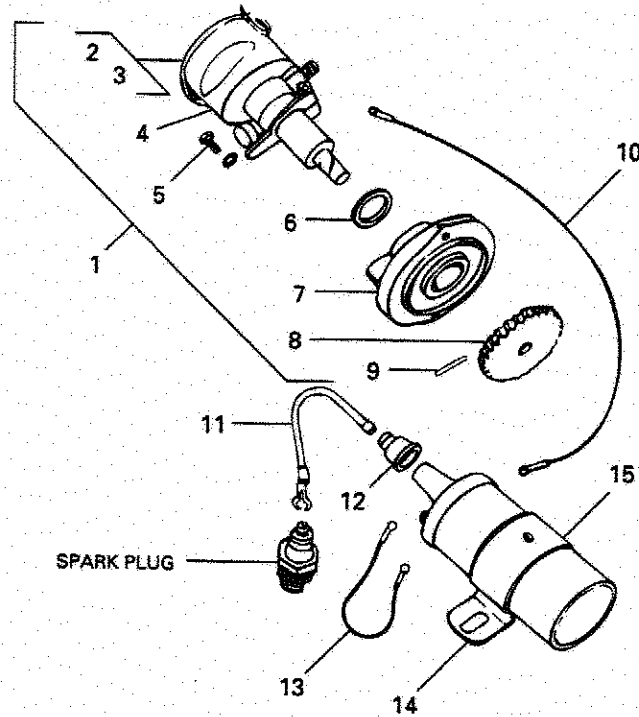
USE WITH MODELS ACN, BKN



ITEM	PART NO.	DESCRIPTION	QTY	ITEM	PART NO.	DESCRIPTION	QTY
1	TF102	Ignition timer assembly (includes 2-9)	1	12	LJ310	Pipe nipple, 1/2" W.I. x 1-1/2" long	1
2	GD111A	Drive gear (replaces GD111)	1	13	YL339-8	Ignition cable (replaces YL223)	1
3	PA313	Pin	1	14	YD20A	Rubber nipple	1
4	QD711	Gasket	1	15	PD78	Nut, 5/16"-18 thread	1
5	JK59	"O" ring seal	1	16	PE4	Lock washer, 5/16"	1
6	TB116-1	Adapter	1	17	XD15	Screw, 5/16"-18 thread x 3/4" long	1
7	XD4	Screw	1	18	YF11	Ignition coil, 6 volt, no. 200588	1
8	PE3	Lock washer	1	19	PG556	Clamp	1
9	YF49S1	Ignition timer assembly (includes YF49, YL394-6; includes Prestolite)	1	20	R123-10	Oil filler and gauge assy (includes item 9)	1
10	XK105	Pipe elbow, 1/2" x 45°	1		YF41AS1	Ignition coil, 12 volt (replaces YF5B)	1
11	YL352-14	Ignition wire assembly, 14" long	1				

TF105 Ignition Timer And Coil

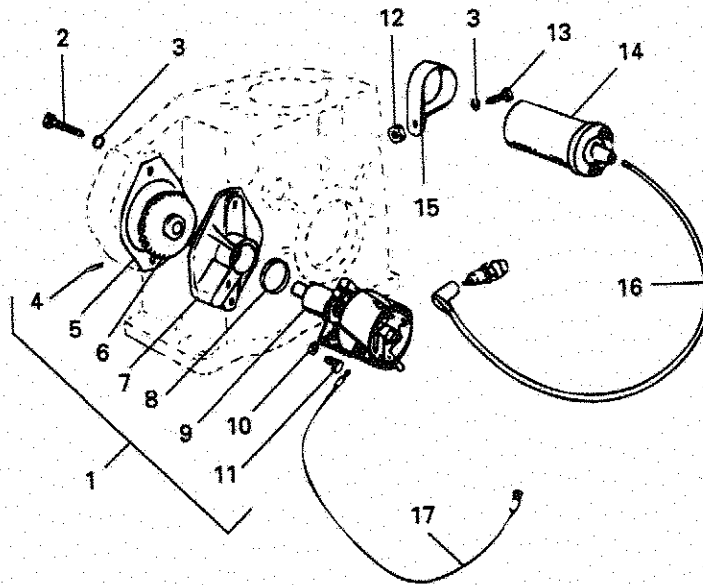
USE WITH MODEL AENL



ITEM	PART NO.	DESCRIPTION	QTY
1	TF105	Ignition timer assembly (includes 2-9)	1
2	BH151B	Cover (replaces BH151, QD711) ...	1
3	QD711	Gasket	1
4	YF49S1	Ignition timer assembly (includes YF49, YL394-6; includes prestolite)	1
5	XD4	Screw	1
6	JK59	"O" ring seal	1
7	TB116-1	Adapter	1
8	GD114A	Drive gear	1
9	PA313	Pin	1
10	YL352-21	Ignition wire assembly	1
11	YL339-6	Ignition cable (replaces YL166)	1
12	YD20A	Rubber nipple	1
13	YL352-11	Ignition wire assembly	1
14	PG556-2	Bracket (replaces PG556) ...	1
15	YF11	Ignition coil, 6 volt	1
—	YF41AS1	Ignition coil, 12 volt (replaces YF5B)	1

TF116 Ignition Timer And Coil

USE WITH MODEL AGND

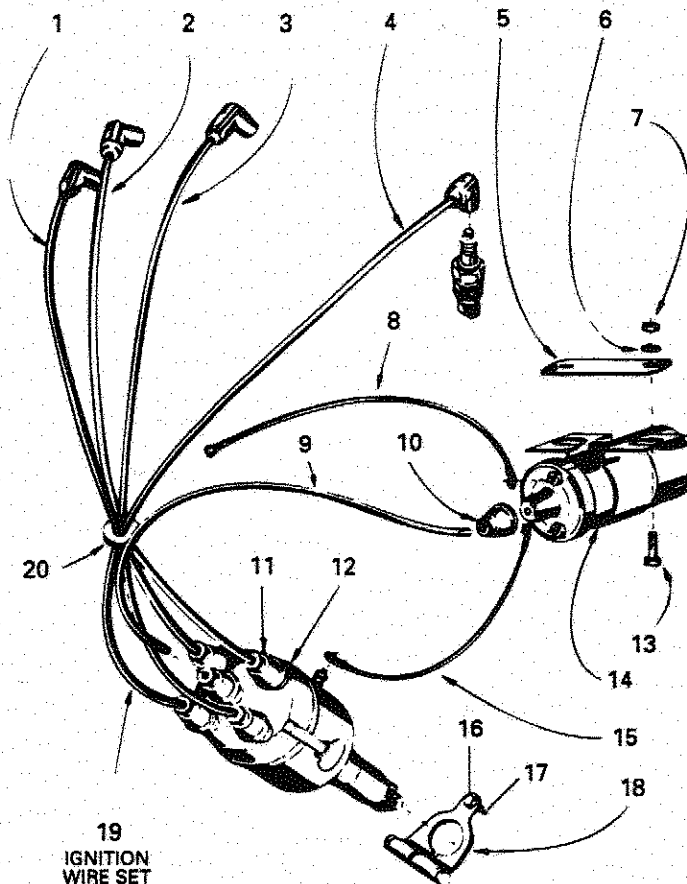


ITEM	PART NO.	DESCRIPTION	QTY
1	TF116	Ignition timer assembly (includes 2-11)	1
2	XD34	Screw	2
3	PE5	Lock washer, 3/8"	2
4	PA313	Pin	1
5	QD616	Gasket	1
6	GD130	Drive gear	1
7	TB107A1	Adapter	1
8	JK59	"O" ring seal	1
9	YF49AS1	Ignition timer (replaces YF8DS1)	1
10	PE3	Lock washer, 1/4"	1
11	XD4	Screw	1
12	HF337	Spacer, 13/32" I.D. x 17/64" long	1
13	XD30	Screw, 3/8"-16 thread x 1-1/2" long	1
14	YF41AS1	Ignition coil, 12 volt (replaces YF5B)	1
15	PG556-2	Clamp (replaces PG556)	1
16	YL339-24	Ignition cable assembly (replaces YL319B)	1
17	YL352-19	Ignition wire assembly, 17-1/2" long	1

EKA102 Ignition Coil And Distributor Group

USE WITH MODELS VG4D, VH4D

APPLICABLE TO
ACCESSORY DRIVE
OR GEAR GENERATOR
DRIVE MOUNTING

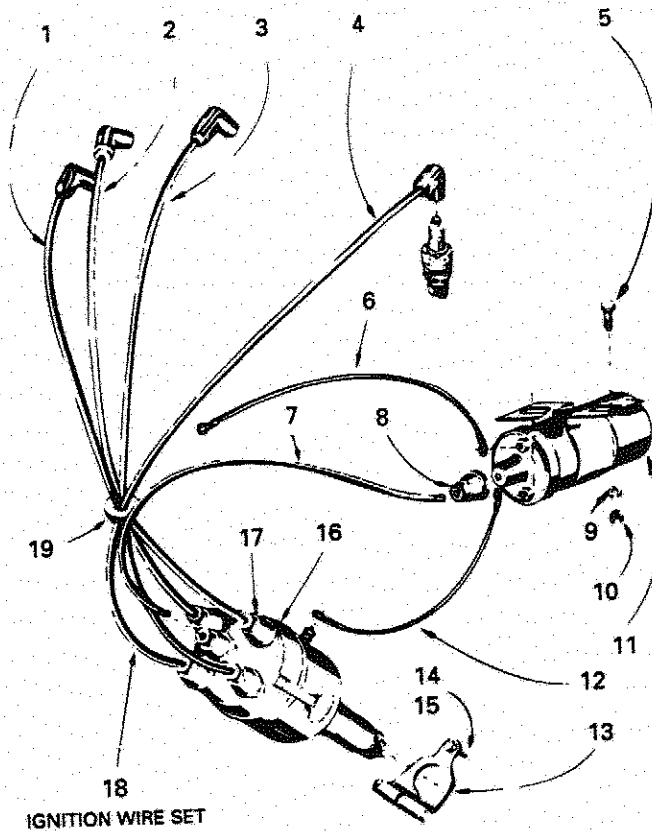


ITEM	PART NO.	DESCRIPTION	QTY	ITEM	PART NO.	DESCRIPTION	QTY
1	YL339-42	Cable assembly, no. 4 spark plug	1	11	YD20	Terminal protector	5
2	YL339-32	Cable assembly, no. 3 spark plug	1	12	YF45S1	Distributor, Colt (replaces YF10CS1)	1
3	YL339-28	Cable assembly, no. 1 spark plug	1	13	XD15	Screw, 5/16"-18 thread x 3/4" long	2
4	YL339-36	Cable assembly, no. 2 spark plug	1	14	YF38B	Ignition coil (replaces YF5A)	1
5	PG791	Support plate	1	15	YL352-8	Ignition wire assembly, 8" long	1
6	PE4	Lock washer, 5/16" long	2	16	PE3	Lock washer, 1/4"	1
7	PD78	Nut, 5/16"-18 thread	2	17	XD4	Screw, 1/4"-20 thread x 1/2" long	1
8	YL352-30	Ignition wire assembly, 30" long	1	18	PG543A1	Advance arm assembly	1
—	YL352-23	Wire assembly, 23" long	1	19	YL285F	Distributor ignition cable set (includes 1-4, 9, 20)	1
9	YL358-8	Cable assembly	1	20	PH198	Grommet	1
10	YD20A	Terminal protector	1				

EKA110 Ignition Coil And Distributor Group

USE WITH MODEL VG4D

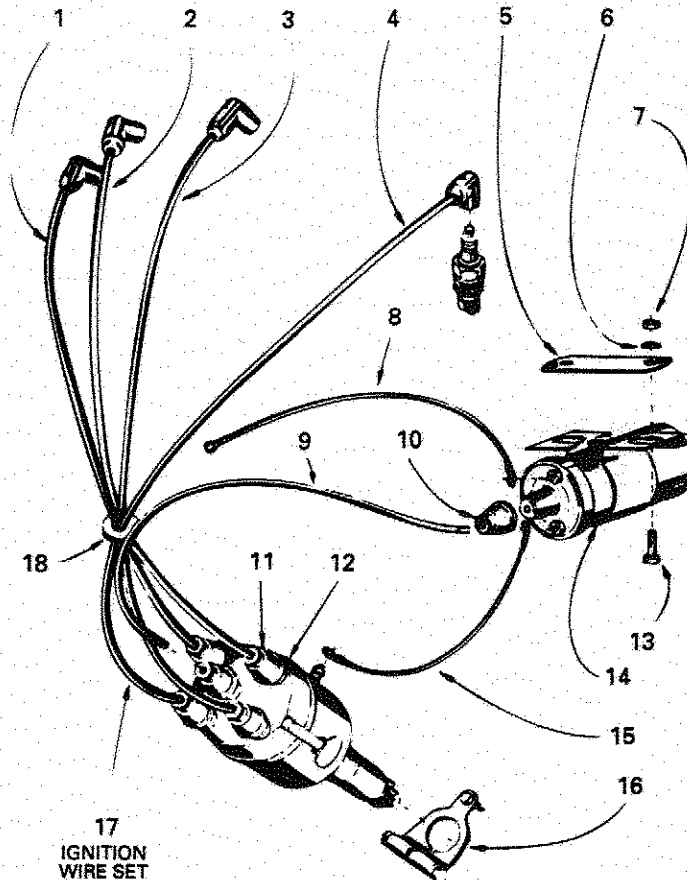
APPLICABLE TO
ACCESSORY DRIVE
OR GEAR GENERATOR
DRIVE MOUNTING



ITEM	PART NO.	DESCRIPTION	QTY	ITEM	PART NO.	DESCRIPTION	QTY
1	YL339-42	Cable, no. 4 cylinder	1	13	PG543A1	Clamp assembly (replaces PG920A)	1
2	YL339-36	Cable, no. 3 cylinder	1	14	PE3	Lock washer, 1/4"	3
3	YL339-30	Cable, no. 1 cylinder	1	15	XD4	Screw, 1/4"-20 thread x 1/2" long	3
4	YL339-40	Cable, no. 2 cylinder	1	16	YF45S1	Distributor, Colt (replaces YF10CS1)	1
5	XD15	Screw, 5/16"-18 thread x 3/4" long	2	17	YD20	Terminal protector	5
6	YL352-30	Ignition wire assembly, 30" long	1	18	YL286G	Distributor ignition cable set (includes 1-4, 7, 19) (replaces YL286D)	1
—	YL352-5	Wire assembly, 5" long	1	—	YL286N	Distributor ignition cable set (includes PH198, YL339-32, YL339-38, YL339-42, YL339-46, YL358-31)	1
7	YL358-12	Cable	1	19	PH198	Grommet	1
8	YD20A	Terminal protector	1				
9	PE4	Lock washer, 5/16"	2				
10	PD78	Nut, 5/16"-18 Thread	2				
11	YF38B	Ignition coil (replaces YF5A)	1				
12	YL352-14	Ignition wire assembly, 14" long	1				
—	YL352-30	Wire assembly, 30" long	1				

YF10S1 Ignition Coil And Distributor Group

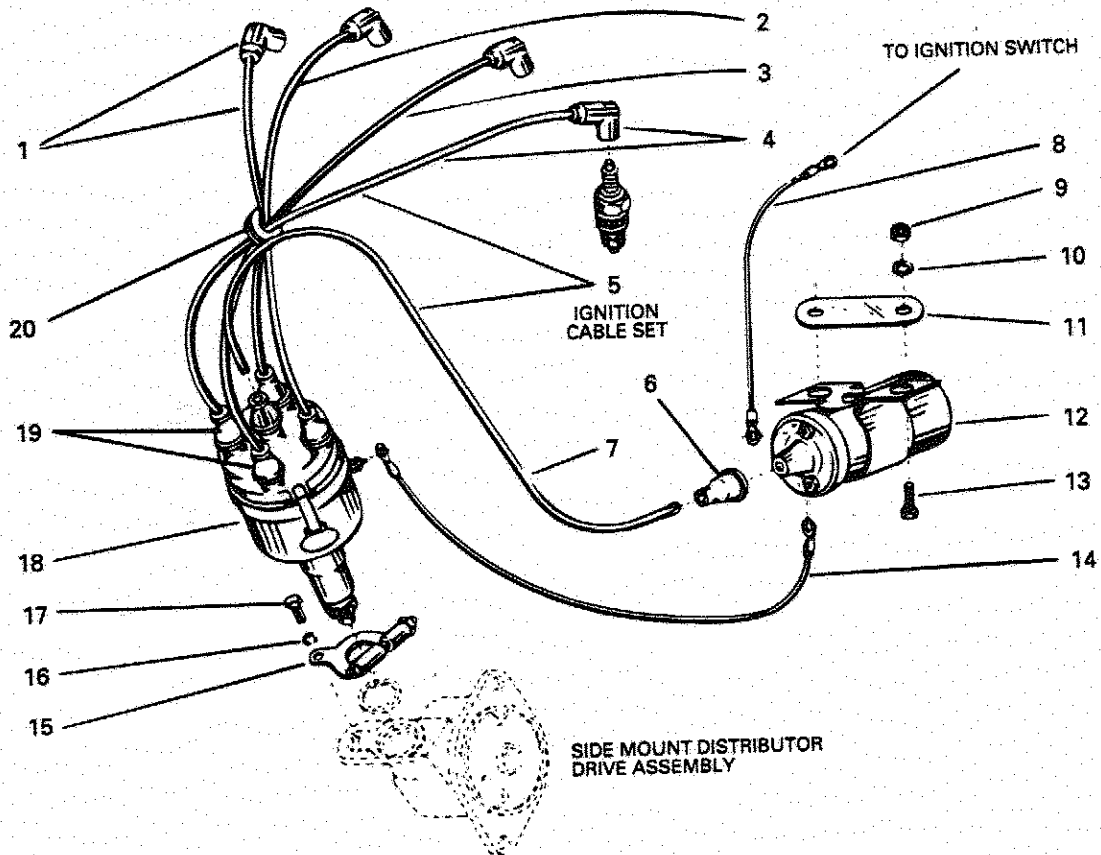
USE WITH MODELS VE4D, VF4D



ITEM	PART NO.	DESCRIPTION	QTY	ITEM	PART NO.	DESCRIPTION	QTY
1	YL339-42	Cable, no. 4 spark plug	1	—	YF6	Engine speed distributor, Prestolite no. IGW4159A (for engines to and including serial no. 2264162)	1
2	YL339-32	Cable, no. 3 spark plug	1	13	XD15	Screw, 5/16"-18 thread x 3/4" long	2
3	YL339-28	Cable, no. 1 spark plug	1	14	YF4A	Ignition coil, 6 volt	1
4	YL339-36	Cable, no. 2 spark plug	1	—	YF38B	Ignition coil, 12 volt (replaces YF5A)	1
5	PG791	Support plate	1	15	YL352-8	Ignition wire assembly, 8" long	1
6	PE4	Lock washer, 5/16"	2	16	PG543A1	Clamp	1
7	PD78	Nut, 5/16"-18 thread	2	17	YL285F	Distributor ignition cable set (includes 1-4, 9, 18)	1
8	YL352-30	Ignition wire assembly, 30" long	1	18	PH198	Grommet	1
9	YL358-8	Cable	1				
10	YD20A	Terminal cap	1				
11	YD20	Terminal cap	5				
12	YF10S1	Distributor, half speed, Prestolite no. IAD4036A (includes PG543A) (for engines beginning with serial no. 2264163) (NLA) ...	1				

YF45S1 Ignition Coil And Distributor Group

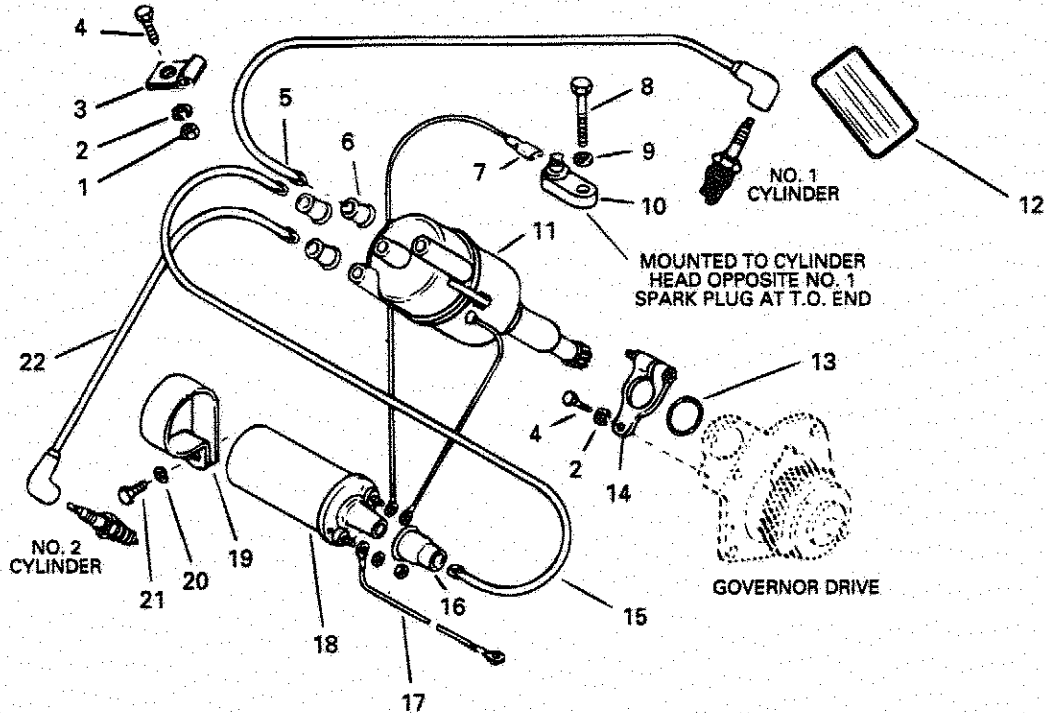
USE WITH MODEL W4-1770



ITEM	PART NO.	DESCRIPTION	QTY	ITEM	PART NO.	DESCRIPTION	QTY
1	YL339-32	Cable assembly, no. 3 spark plug	1	11	PG791	Plate	1
2	YL339-28	Cable assembly, no. 1 spark plug	1	12	YF38B	Ignition coil, 12 volt	1
3	YL339-36	Cable assembly, no. 2 spark plug	1	13	XD15	Screw, 5/16"-18 thread x 3/4" long	2
4	YL339-42	Cable assembly, no. 4 spark plug	1	14	YL352-11	Ignition wire assembly, 11" long	1
5	YL285F	Cable set (includes 1-4, 7, 20)	1	15	PG543A1	Clamp	1
6	YD20A	Terminal protector	1	16	PE3	Lock washer, 1/4"	1
7	YL358-8	Cable assembly	1	17	XD5	Screw, 1/4"-20 thread x 5/8" long	1
8	YL352-23	Ignition wire assembly, 23" long	1	18	YF45S1	Distributor, Colt (replaces YF10CS1)	1
9	PD78	Nut, 5/16"-18 thread	2	19	YD20	Terminal protector	5
10	PE4	Lock washer, 5/16"	2	20	PH198	Grommet	1

YF48S1 Ignition Coil And Distributor Group

USE WITH MODELS W2-1230, W2-1235

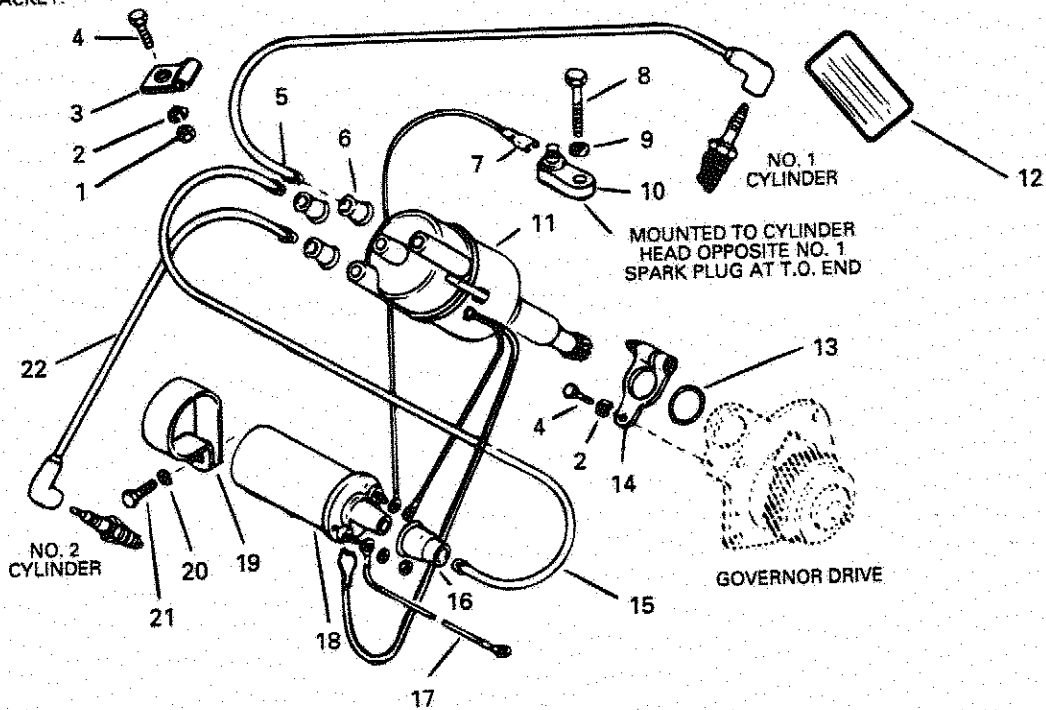


ITEM	PART NO.	DESCRIPTION	QTY	ITEM	PART NO.	DESCRIPTION	QTY
1	PD77	Nut, 1/4"-20 thread	1	12	SD233	Decal	1
2	PE3	Lock washer, 1/4"	2	13	JK59	"O" ring seal	1
3	PG54-1	Clip	1	14	PG543A1	Clamp	1
4	XD4	Screw, 1/4"-20 thread x 1/2" long	2	15	YL358-31	Ignition cable	1
5	YL339-24	Ignition cable, no. 1 spark plug	1	16	YD20A	Terminal protector	1
6	YD20	Terminal protector	3	17	YL352-26	Wire assembly	1
7	YL357-42	Wire assembly	1	18	YF41AS1	Ignition coil, 12 volt (includes item 19)	1
8	XD33	Screw, 3/8"-16 thread x 2-1/4" long	1	19	PG556B	Strap, 2-3/16 dia.	1
9	PH513	Washer	1	—	PG1316	Strap, 2-1/8 dia.	1
—	YC66DS2	Hi-temp safety switch kit (includes item 10)	1	20	PE4	Lock washer, 5/16"	1
10	YC66D	Hi-temp safety switch	1	21	XD14	Screw, 5/16"-18 thread x 5/8" long	1
11	YF48S1	Distributor, Colt	1	22	YL339-8	Ignition cable, no. 2 spark plug (replaces YL339-14)	1

YF51S1 Ignition Coil And Distributor Group

USE WITH MODEL W2-1250

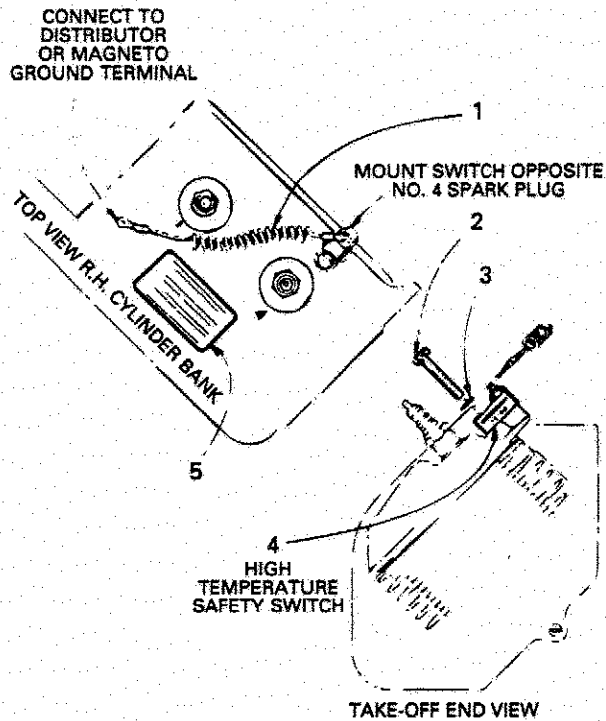
THIS MOUNTING USED WHEN COIL IS ON CLEANER BRACKET. SEE LAA189.



ITEM	PART NO.	DESCRIPTION	QTY	ITEM	PART NO.	DESCRIPTION	QTY
1	PD77	Nut, 1/4"-20 thread	1	12	SD233	Decal	1
2	PE3	Lock washer, 1/4"	2	13	JK59	"O" ring seal	1
3	PG54-1	Clip	1	14	PG543A1	Clamp	1
4	XD4	Screw, 1/4"-20 thread x 1/2" long	2	15	YL358-31	Ignition cable	1
5	YL339-24	Ignition cable, no. 1 spark plug	1	16	YD20A	Terminal protector	1
6	YD20	Terminal protector	3	17	YL352-26	Wire assembly	1
7	YL357-42	Wire assembly	1	18	YF41A	Ignition coil, 12 volt, Prestolite no. 201755	1
8	XD33	Screw, 3/8"-16 thread x 2-1/4" long	1	19	PG556B	Strap	1
9	PH513	Washer	1	20	PE4	Lock washer, 5/16"	1
—	YC66DS2	Hi-temp safety switch kit (includes item 10)	1	21	XD14	Screw, 5/16"-18 thread x 5/8" long	1
10	YC66D	Hi-temp safety switch	1	22	YL339-8	Ignition cable, no. 2 spark plug (replaces YL339-14)	1
11	YF51S1	Distributor, Per-Lux 041-09A	1				

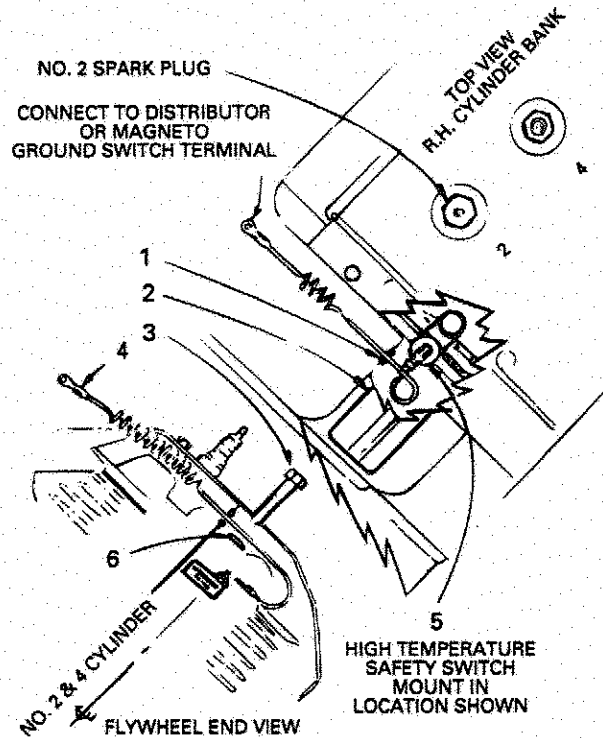
YC66DS1 High Temperature Safety Switch Kit

USE WITH ALL OTHER MODELS



YC66GS1 High Temperature Safety Switch Kit

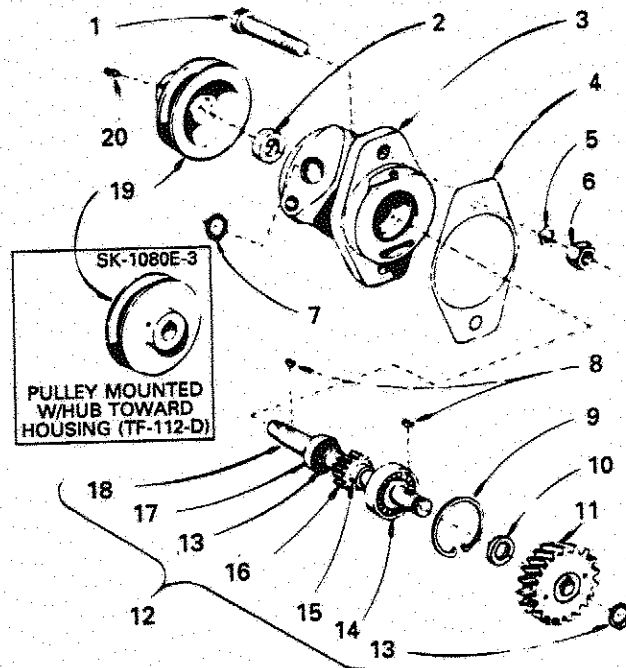
USE WITH MODEL VG4D



ITEM	PART NO.	DESCRIPTION	QTY	ITEM	PART NO.	DESCRIPTION	QTY
—	YC66DS1	High temperature safety switch kit (includes 1-5)		—	YC66GS1	High temperature safety switch kit (includes 1-6)	
1	YL357-44	Wire assembly, 42" long	1	1	PH377B	Grommet	1
2	XD22	Cap screw, 5/16"-18 thread x 1-3/4" long	1	2	SD233	Instruction decal	1
3	PH77A	Washer, 5/16" I.D.	1	3	XD32	Cap screw, 3/8"-16 thread x 2" long	1
4	YC66D	High temperature safety switch	1	4	YL357-42	Wire assembly, 42" long	1
5	SD233	Instruction decal	1	5	YC66G	High temperature safety switch	1
				6	PH22	Washer, 3/8" I.D.	1

TF112A, TF112D Accessory Drive Assemblies (Replaced By TF122, TF122B)

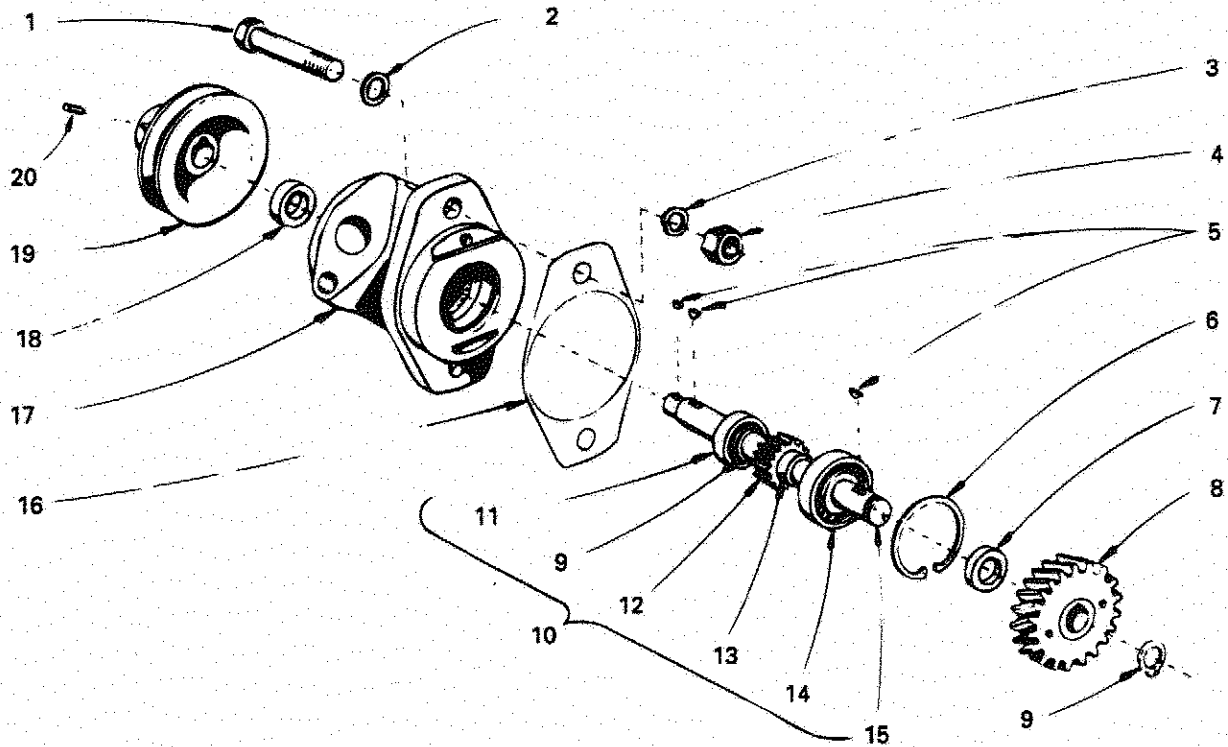
USE WITH MODEL VG4D



ITEM	PART NO.	DESCRIPTION	QTY	ITEM	PART NO.	DESCRIPTION	QTY
1	XD32	Screw, 3/8"-16 thread x 2" long	2	—	JJ320A	Drive shaft assembly, TF112D	1
2	PH541	Oil seal (replaces PH274) ...	1	13	PK108	Lock rings	3
3	TB141C1S1	Housing assembly (includes JK59, PH541) (replaces TB130A1S1)	1	14	ME139	Bearing, Nice no. 1633NS	1
4	QD616	Gasket	1	15	PA281	Pin, 1/8" x 7/8" long	1
5	PE5	Lock washer, 3/8"	2	16	GF90	Gear	1
6	PD79	Nut, 3/8"-16 thread	2	17	ME112	Bearing, Nice no. 1623NS	1
7	JK59	Packing ring	1	18	JD362	Shaft, 5-13/32" long	1
8	PL55	No. 6 Woodruff key	2	19	MD363	Drive pulley	1
9	PK107	Lock ring	1	20	XE65	Screw, no. 10-32 thread x 1/4" long	1
10	HF470	Spacer	1				
11	GD120	Drive gear	1				
12	JJ320	Drive shaft assembly, TF112A (includes 13-18)	1				

TF112C Accessory Drive Assembly (Replaced By TF122C)

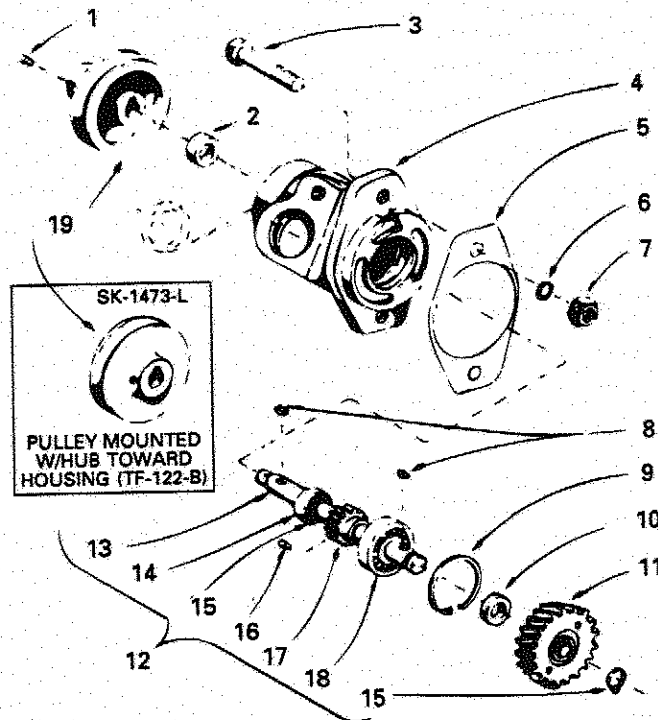
USE WITH MODELS VE4D, VF4D, VH4D



ITEM	PART NO.	DESCRIPTION	QTY	ITEM	PART NO.	DESCRIPTION	QTY
1	XD32	Screw, 3/8"-16 thread x 2" long	2	12	GF90	Gear	1
2	PH22A	Washer, 3/8" I.D. x 11/16" O.D. x 3/32" thick	2	13	PA281	Pin, 1/8" x 7/8" long	1
3	PE5	Lock washer, 3/8"	2	14	ME139	Bearing, Nice no. 1633NS	1
4	PD79	Nut, 3/8"-16 thread	2	15	JD362	Shaft	1
5	PL55	No. 6 Woodruff key	2	16	QD616	Gasket	1
6	PK107	Lock ring	1	17	TB141C1S1	Housing assembly (includes PH541) (replaces TB130A1S1)	1
7	HF470	Spacer	1	18	PH541	Oil seal (replaces PH274) ...	1
8	GD121	Drive gear	1	19	MD363	Drive pulley	1
9	PK108	Lock rings	3	20	XE65	Screw, no. 10-32 thread x 1/4" long	1
10	JJ320	Drive shaft assembly (includes 9, 11-15)	1				
11	ME112	Bearing, Nice no. 1623NS	1				

TF122; TF122B Accessory Drive Assemblies

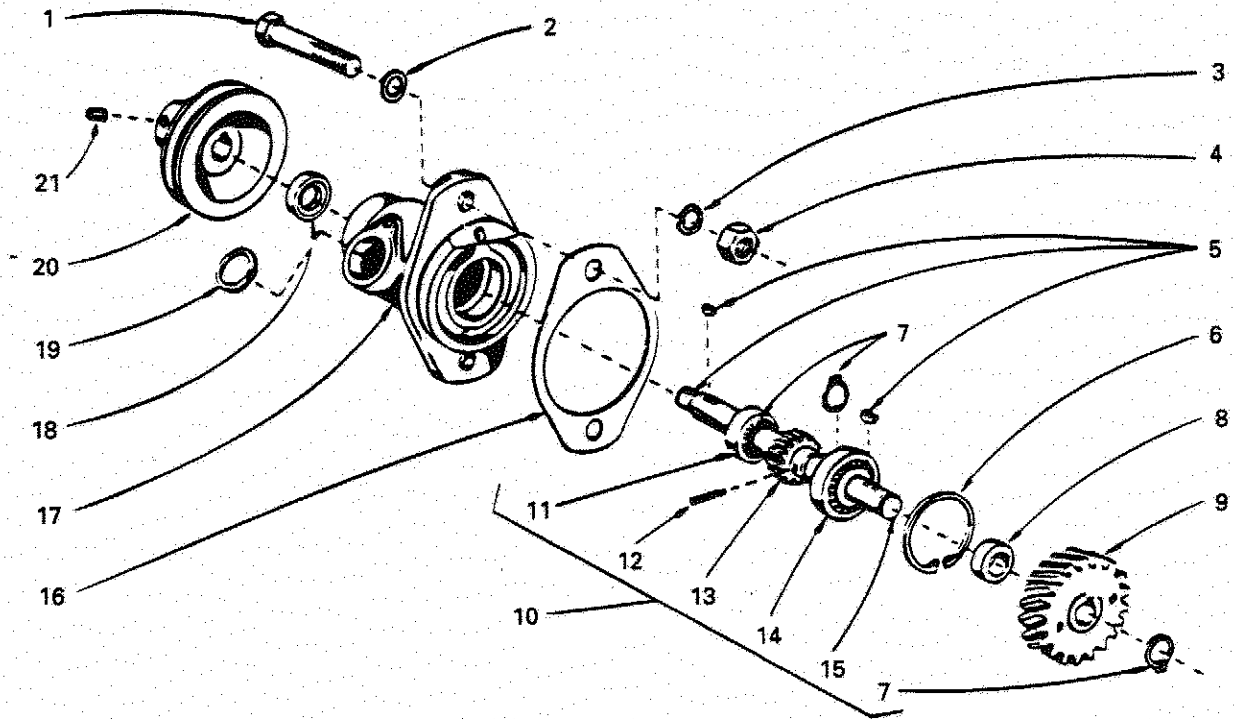
USE WITH MODEL VG4D



ITEM	PART NO.	DESCRIPTION	QTY	ITEM	PART NO.	DESCRIPTION	QTY
1	XE65	Screw, no. 10-32 thread x 1/4" long	1	—	JJ320A	Drive shaft assembly (TF122B)	1
2	PH541	Oil seal (replaces PH274) ...	1	13	JD362	Shaft, 5-13/32" long (TF122)	1
3	XD32	Screw, 3/8"-16 thread x 2" long	2	—	JD362A	Shaft, 5-29/32" long (TF122B)	1
4	TB141CS1	Housing assembly (includes "O" ring, oil seal) (replaces TB141S2)	1	14	ME112	Bearing, Nice no. 1623NS	1
5	QD616	Gasket	1	15	PK108	Lock rings	3
6	PE5	Lock washer, 3/8"	2	16	PA367	Pin, 1/8" x 7/8" long	1
7	PD79	Nut, 3/8"-16 thread	2	17	GF90	Gear	1
8	PL55	No. 6 Woodruff key	2	18	ME139	Bearing, Nice no. 1633NS	1
9	PK107	Lock ring	1	19	MD363	Drive pulley	1
10	HF470	Spacer	1				
11	GD120	Drive gear	1				
12	JJ320	Drive shaft assembly (TF122) (includes 13-18)	1				

TF112C Accessory Drive Assembly (Replaced By TF122C)

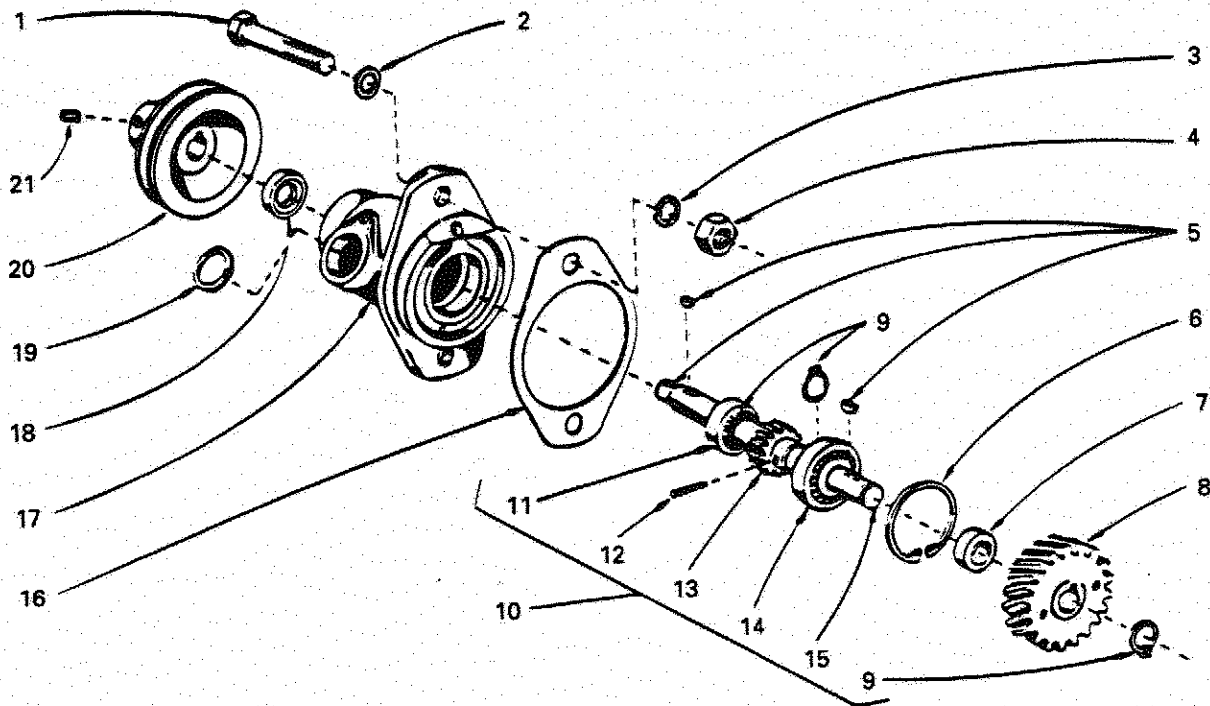
USE WITH MODELS VE4D, VF4D, VH4D



ITEM	PART NO.	DESCRIPTION	QTY	ITEM	PART NO.	DESCRIPTION	QTY
1	XD32	Screw, 3/8"-16 thread x 2" long	2	12	PA281	Pin, 1/8" x 7/8" long	1
2	PH22A	Washer, 3/8" I.D. x 11/16" O.D. x 3/32" thick	2	13	GF90	Gear	1
3	PE5	Lock washer, 3/8"	2	14	ME139	Bearing, Nice no. 1633NS	1
4	PD79	Nut, 3/8"-16 thread	2	15	JD362	Shaft	1
5	PL55	No. 6 Woodruff key	2	16	QD616	Gasket	1
6	PK107	Lock ring	1	17	TB141CS2	Housing assembly (includes JK59, PH541) (replaces TB141S2)	1
7	PK108	Lock rings	3	18	PH541	Oil seal (replaces PH274)	1
8	HF470	Spacer	1	19	JK59	"O" ring	1
9	GD121	Drive gear	1	20	MD363	Drive pulley	1
10	JJ320	Drive shaft assembly (includes 7, 11-15)	1	21	XE65	Screw, no. 10-32 thread x 1/4" long	1
11	ME112	Bearing, Nice no. 1623NS	1				

TF122C10 Accessory Drive Assembly

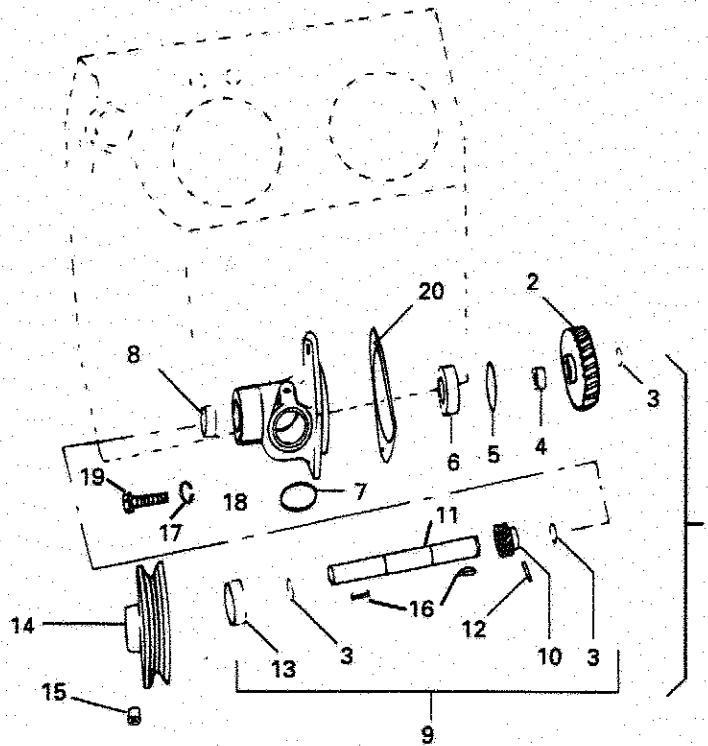
USE WITH MODEL W4-1770



ITEM	PART NO.	DESCRIPTION	QTY	ITEM	PART NO.	DESCRIPTION	QTY
1	XD32	Screw, 3/8"-16 thread x 2" long	2	12	PA367	Pin, 1/8" x 3/4" long	1
2	PH22A	Washer, 3/8" I.D. x 11/16" O.D. x 3/32" thick	2	13	GF90	Gear	1
3	PE5	Lock washer, 3/8"	2	14	ME139	Bearing, Nice no. 1633NS	1
4	PD79	Nut, 3/8"-16 thread	2	15	JD362	Shaft	1
5	PL55	No. 6 Woodruff key	2	16	QD616	Gasket	1
6	PK107	Lock ring	1	17	TB141CS1	Housing assembly (includes JK59, PH541)	1
7	HF470	Spacer	1	18	PH541	Oil seal	1
8	GD121E	Drive gear	1	19	JK59	"O" ring	1
9	PK108	Lock rings	3	20	MD363-1	Drive pulley	1
10	JJ320	Drive shaft assembly (includes 9, 11-15)	1	21	XE65	Screw, no. 10-32 thread x 1/4" long	1
11	ME112	Bearing, Nice no. 1623NS	1				

TF122Y2 Accessory Drive Assembly

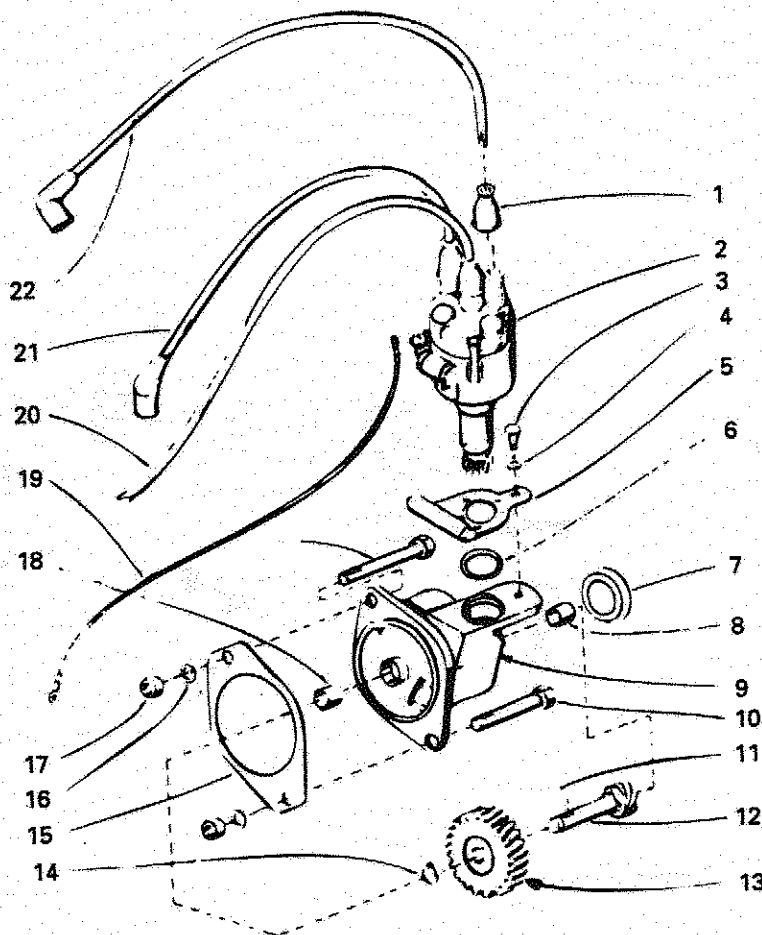
USE WITH MODELS V465D, V460D, V461D



ITEM	PART NO.	DESCRIPTION	QTY	ITEM	PART NO.	DESCRIPTION	QTY
1	TF122Y2S1	Accessory drive assembly (engines beginning with serial no. 5075776) (includes 2-16)	1	7	JK59	"O" ring, 1-1/16" I.D. x 1-5/16" O.D.	1
—	TF122H1	Accessory drive assembly (previous to engine serial no. 5075776)	1	8	PH541	Oil seal (replaces PH274) ...	1
2	GD120	Drive gear (T122Y2)	1	9	JJ320G	Drive shaft assembly (includes 3, 6, 10-13)	1
—	GD120A	Drive gear (TF122H1)	1	10	GF90	Gear	1
3	PK108	Lock rings	3	11	JD362-1	Shaft	1
4	HF470	Spacer	1	12	PA367	Pin, 1/8" x 7/8" long (replaces PA281)	1
5	PK107	Lock ring	1	13	ME112	Bearing, no. 1623NS	1
—	TB141CS1	Housing assembly (includes JK59, PH541) (replaces TB130A1S1, TB141S2) (not illustrated)	1	14	MD363-1	Drive pulley	1
6	ME139	Bearing, no. 1633NS	1	15	XE65	Set screw	1
				16	PLS5	Woodruff key	2
				17	PE5	Lockwasher	2
				18	PD79	Nut	2
				19	XD32	Cap screw	2
				20	QD616	Gasket	1

TF127 Distributor Drive Assembly

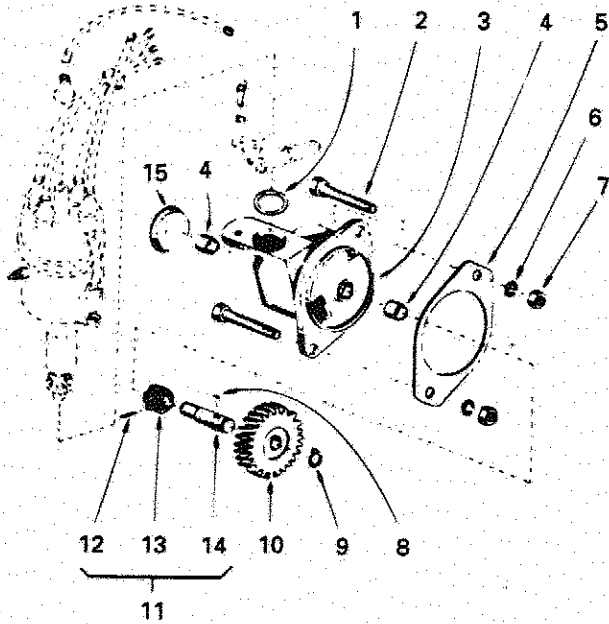
USE WITH MODELS TH, THD



ITEM	PART NO.	DESCRIPTION	QTY	ITEM	PART NO.	DESCRIPTION	QTY
1	YD20	Rubber nipple	3	12	JJ323	Drive shaft and gear assembly	1
2	YF47S1	Distributor, Colt	2	13	GD140	Drive gear	1
3	XD4	Screw, 1/4"-20 thread x 1/2" long	1	14	PK109	Lock ring	1
4	PE3	Lock washer, 1/4"	1	15	QD616	Gasket	1
5	PG543A	Advance arm	1	16	PE5	Lock washer, 3/8"	2
6	JK59	Packing ring	1	17	PD79	Nut, 3/8"-16 thread	2
7	SA143	Cup plug	1	18	XD34	Screw, 3/8"-16 thread x 2-1/2" long	1
8	HG182	Bushing	2	19	YL352-19	Ignition wire	1
9	TG145S1	Housing assembly (includes bushings, cup plug, packing ring)	1	20	YL358-23	Ignition cable	1
10	XD32	Screw, 3/8"-16 thread x 2" long	1	21	YL339-16	Ignition cable, no. 1 cylinder	1
11	PL161	No. 213 Woodruff key	1	22	YL339-20	Ignition cable, no. 2 cylinder	1

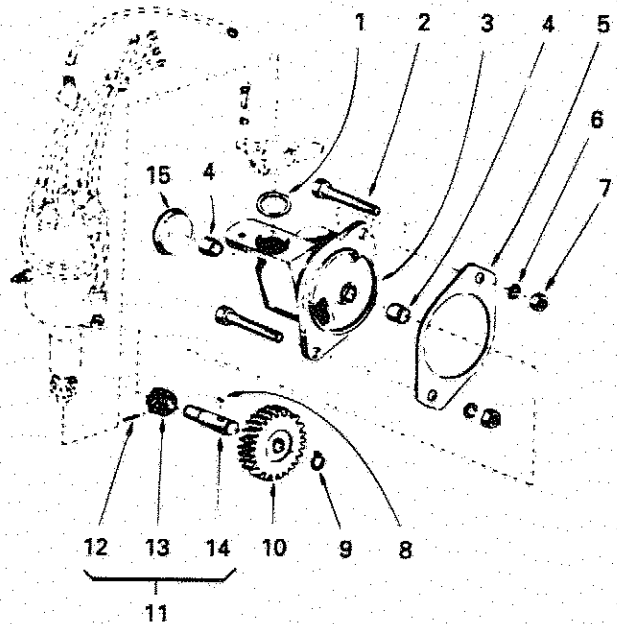
TF128 Distributor Drive Assembly

USE WITH MODELS VE4D, VF4D



TF129 Distributor Drive Assembly

USE WITH MODEL VH4D

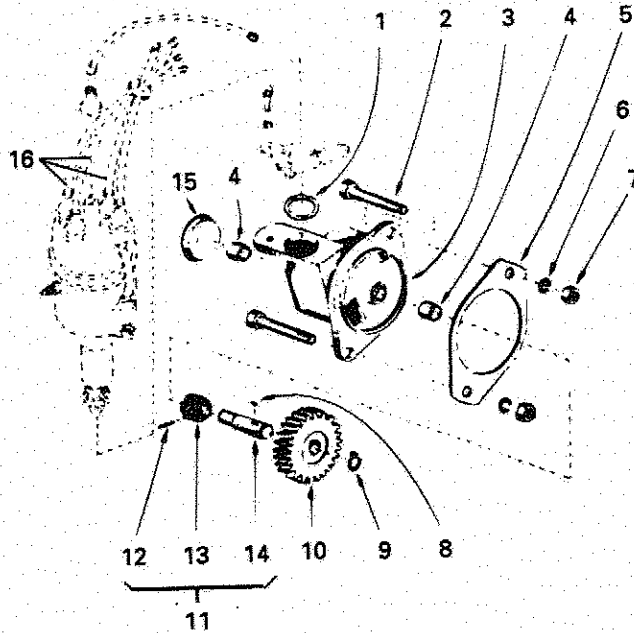


ITEM	PART NO.	DESCRIPTION	QTY
1	JK59	Packing ring	1
2	XD32	Screw, 3/8"-16 thread x 2" long	2
3	TB146S1	Housing assembly (includes bushings, cup plug)	1
4	HG182	Bushing	2
5	QD616	Gasket	1
6	PE5	Lock washer, 3/8"	2
7	PD79	Nut, 3/8"-16 thread	2
8	PL161	No. 213 Woodruff key	1
9	PK109	Lock ring	1
10	GD140	Drive gear	1
11	JJ324	Drive shaft and gear assembly (includes 12-14)	1
12	PA367	Pin	1
13	GF88	Gear	1
14	TA132	Drive shaft	1
15	SA143	Cup plug	1

ITEM	PART NO.	DESCRIPTION	QTY
1	JK59	Packing ring	1
2	XD32	Screw, 3/8"-16 thread x 2" long	2
3	TB146S1	Housing assembly (includes bushings and cup plug)	1
4	HG182	Bushing	2
5	QD616	Gasket	1
6	PE5	Lock washer, 3/8"	2
7	PD79	Nut, 3/8"-16 thread	2
8	PL161	No. 213 Woodruff key	1
9	PK109	Lock ring	1
10	GD140	Drive gear	1
11	JJ324	Drive shaft and gear assembly (includes 12-14)	1
12	PA367	Pin, 1/8" x 3/4" long	1
13	GF88	Gear	1
14	TA132	Drive shaft	1
15	SA143	Cup plug	1

TF129C Distributor Drive Assembly

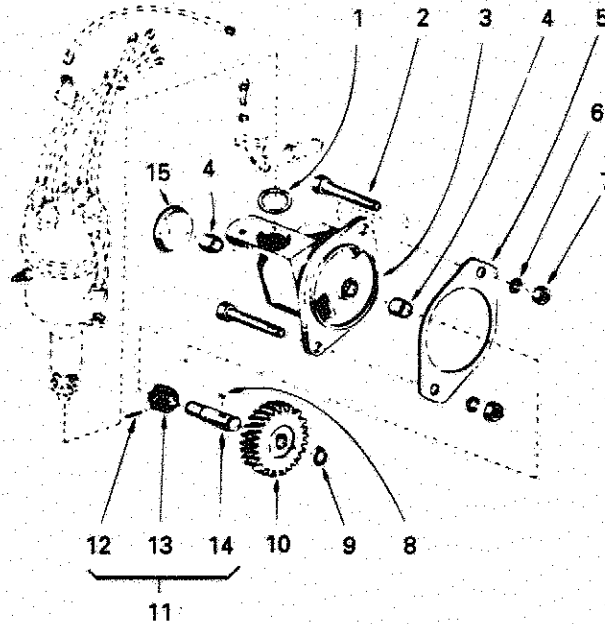
USE WITH MODEL W4-1770



ITEM	PART NO.	DESCRIPTION	QTY
1	JK59	"O" ring seal	1
2	XD32	Screw, 3/8"-16 thread x 2" long	2
3	TB146S1	Housing assembly (includes 4, 15)	1
4	HG182	Bushing	2
5	QD616	Gasket	1
6	PE5	Lock washer, 3/8"	2
7	PD79	Nut, 3/8"-16 thread	2
8	PL161	No. 213 Woodruff key	1
9	PK109	Lock ring	1
10	GD140A	Gear	1
11	JJ324	Drive shaft and gear assembly (includes 12-14)	1
12	PA367	Pin, 1/8" x 3/4" long	1
13	GF88	Gear	1
14	TA132	Drive shaft	1
15	SA143	Cup plug	1
16	YL285F	Ignition wire set	1

TF130 Distributor Drive Assembly

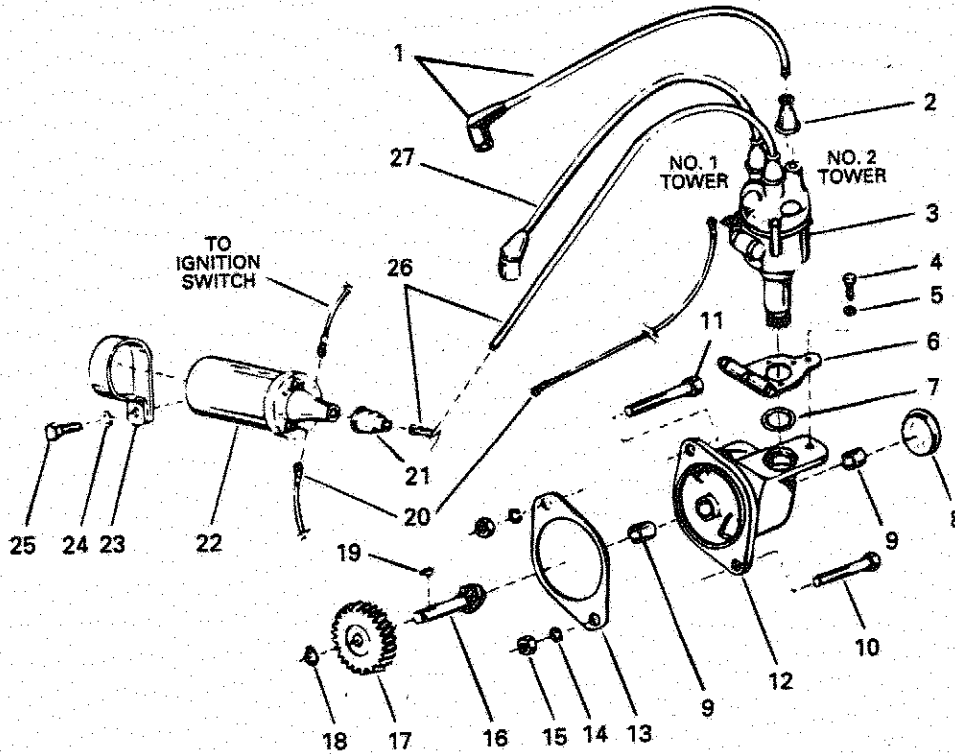
USE WITH MODEL VG4D



ITEM	PART NO.	DESCRIPTION	QTY
1	JK59	Packing ring	1
2	XD32	Screw, 3/8"-16 thread x 2" long	2
3	TB146S1	Housing assembly (includes bushing, cup plug)	1
4	HG182	Bushing	2
5	QD616	Gasket	1
6	PE5	Lock washer, 3/8"	2
7	PD79	Nut, 3/8"-16 thread	2
8	PL161	No. 213 Woodruff key	1
9	PK109	Lock ring	1
10	GD141	Drive gear	1
11	JJ324	Drive shaft and gear assembly (includes 12-14)	1
12	PA367	Pin, 1/8" x 3/4" long	1
13	GF88	Gear	1
14	TA132	Drive shaft	1
15	SA143	Cup plug	1

TF131 Distributor Drive Assembly And Ignition Coil Group

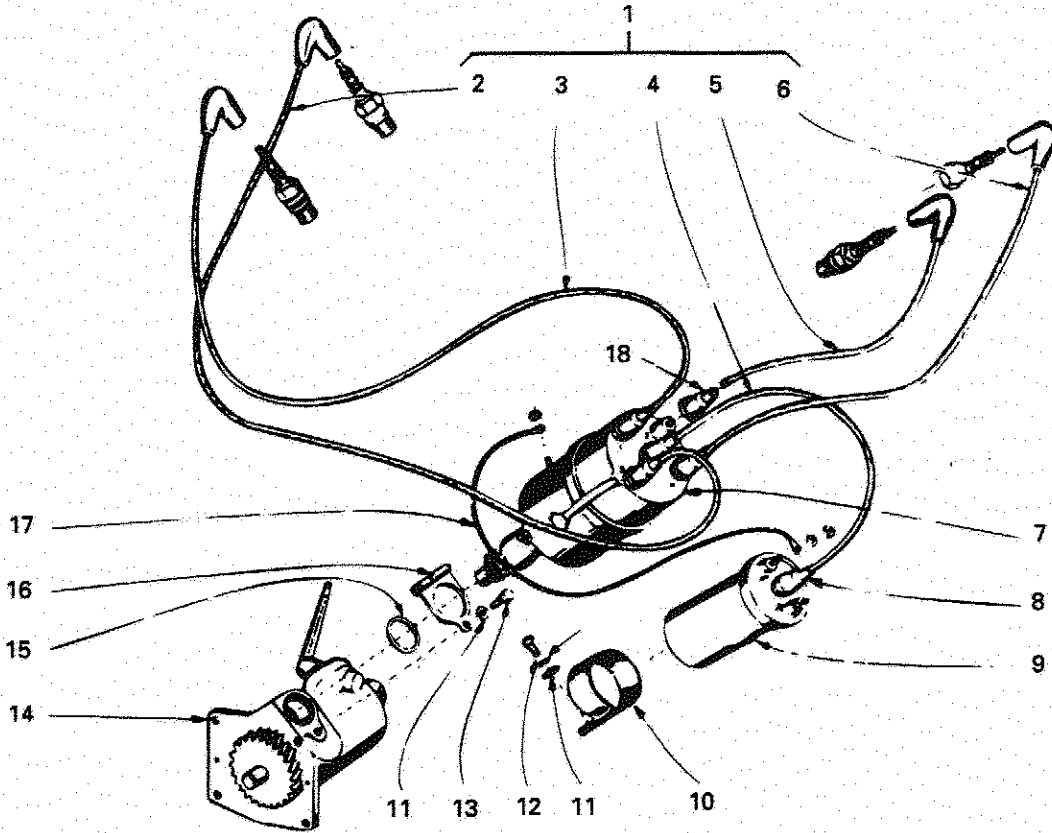
USE WITH MODELS W2-880, TJD



ITEM	PART NO.	DESCRIPTION	QTY	ITEM	PART NO.	DESCRIPTION	QTY
1	YL339-24	Ignition cable, no. 2 spark plug	1	13	QD616	Gasket	1
2	YD20	Terminal protector	3	14	PE5	Lock washer, 3/8"	2
3	YF46S1	Distributor, Prestolite no. IGW4412 (includes PG543A1) (replaces YF35)	1	15	PD79	Nut, 3/8"-16 thread	2
4	XD5	Screw, 1/4"-20 thread x 5/8" long	1	16	JJ323	Drive shaft and gear assembly	1
5	PE3	Lock washer, 1/4"	1	17	GD140	Drive gear	1
6	PG543A1	Clamp	1	18	PK109	Ring	1
7	JK59	"O" ring	1	19	PL161	No. 213 Woodruff key	1
8	SA143	Cup	1	20	YL394IC	Wire assembly	1
9	HG182	Bushing	2	21	YD20A	Terminal protector	1
10	XD32	Screw, 3/8"-16 thread x 2" long	1	22	YF41AS1	Ignition coil, 12 volt	1
11	XD34	Screw, 3/8"-16 thread x 2-1/2" long	1	23	PG556B	Strap for 2-3/16" dia. (YF41A)	1
12	TB145S1	Housing assembly (includes 7-9)	1	24	PE4	Lock washer, 5/16"	1
				25	XD16	Screw, 5/16"-18 thread x 7/8" long	1
				26	YL358-23	Ignition cable	1
				27	YL339-20	Ignition cable, no. 1 spark plug	1

TF132A Top Mounted Distributor Drive And Ignition Coil Group

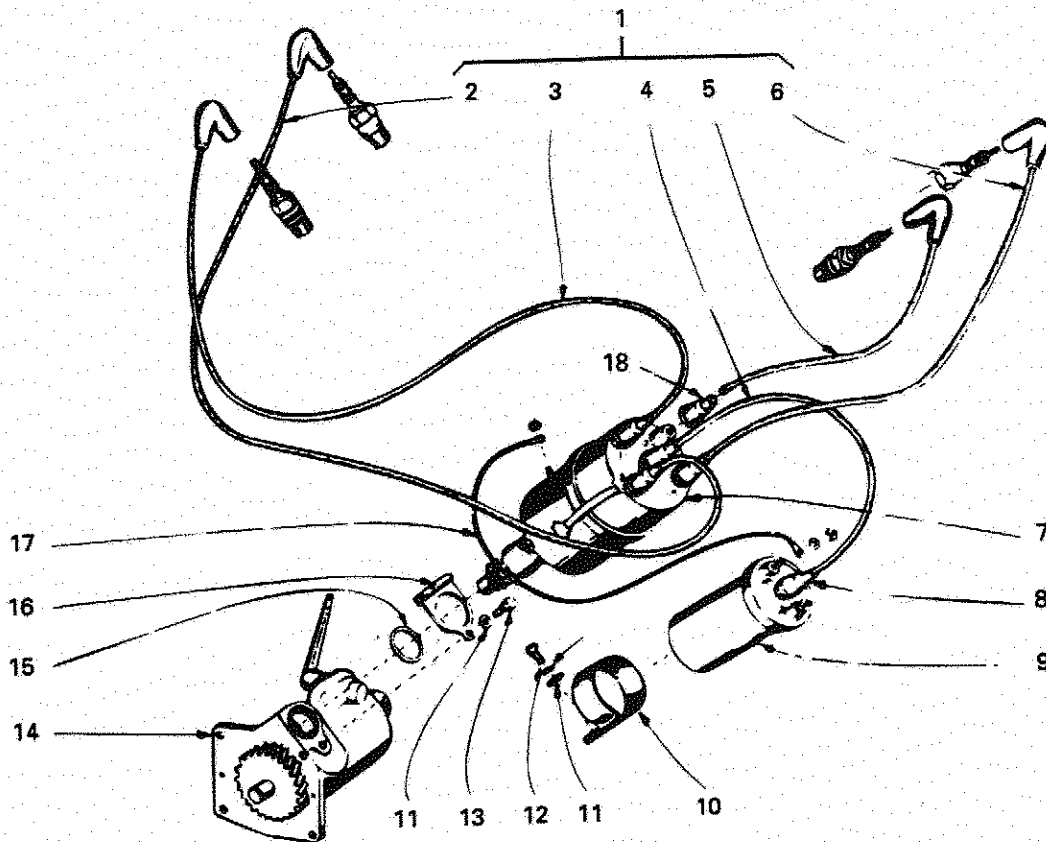
USE WITH MODEL VH4D



ITEM	PART NO.	DESCRIPTION	QTY	ITEM	PART NO.	DESCRIPTION	QTY
1	YL385	Ignition cable set (includes 2-6)	1	10	PG1257	Strap (YF38A)	1
2	YL339-32	Cable, no. 3 cylinder	1	—	PG556B	Strap (YF41A)	1
3	YL339-28	Cable, no. 1 cylinder	1	11	PE3	Lock washer, 1/4"	2
4	YL358-12	Coil cable	1	12	XB75	Screw, 1/4"-20 thread x 3/4" long	1
—	YD20	Terminal cap	5	13	XD5	Screw, 1/4"-20 thread x 5/8" long	1
—	YD20A	Terminal cap	1	14	T113	Governor assembly	1
5	YL339-14	Cable, no. 2 cylinder	1	15	JK59	"O" ring	1
6	YL339-14	Cable, no. 4 cylinder	1	16	PG543A1	Clamp assembly	1
7	YF45AS1	Distributor, Colt (includes clamp assembly)	1	17	YL352-11	Ignition wire assembly	1
8	YD20A	Terminal cap	1	18	YD20	Terminal cap	5
9	YF41AS1	Ignition coil assembly (includes PG556B)	1				

TF132B Top Mounted Distributor Drive Assembly And Ignition Coil Group

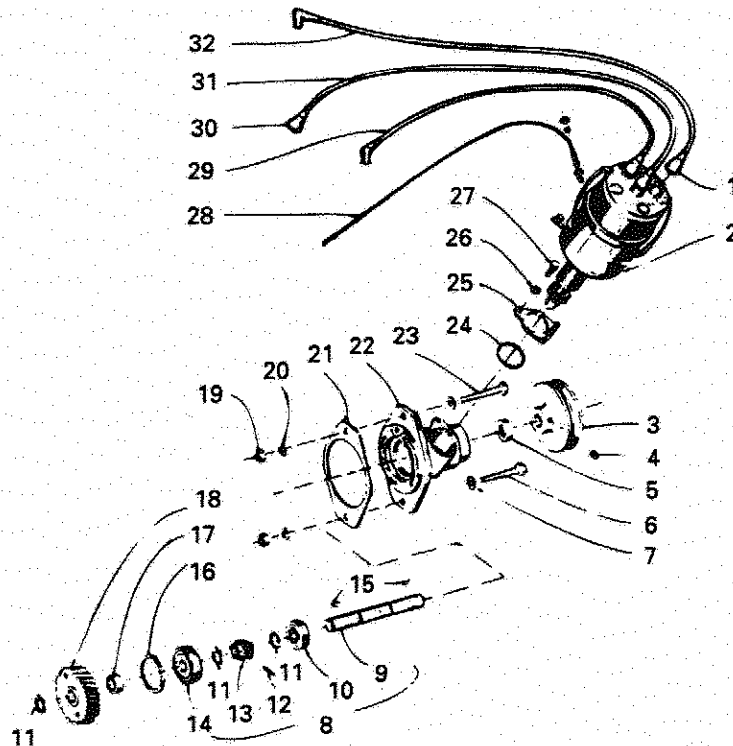
USE WITH MODEL W4-1770



ITEM	PART NO.	DESCRIPTION	QTY	ITEM	PART NO.	DESCRIPTION	QTY
1	YL385	Ignition cable set (includes 2-6)	1	10	PG1257	Strap (Y38A)	1
2	YL339-32	Cable, no. 3 cylinder	1	—	PG556B	Strap (Y41A)	1
3	YL339-28	Cable, no. 1 cylinder	1	11	PE3	Lock washer, 1/4"	2
4	YL358-12	Coil cable	1	12	XB75	Screw, 1/4"-20 thread x 3/4" long	1
—	YD20	Terminal cap	5	13	XD5	Screw, 1/4"-20 thread x 5/8" long	1
—	YD20A	Terminal cap	1	14	T113A	Governor assembly	1
5	YL339-14	Cable, no. 2 cylinder	1	15	JK59	"O" ring	1
6	YL339-14	Cable, no. 4 cylinder	1	16	PG543A1	Clamp assembly	1
7	YF45AS1	Distributor, Colt (includes clamp assembly)	1	17	YL352-11	Ignition wire assembly	1
8	YD20A	Terminal cap	1	18	YD20	Terminal cap	5
9	YF41AS1	Ignition coil, 12 volt (replaces YF38A)	1				

TF133B Distributor And Accessory Drive Assembly

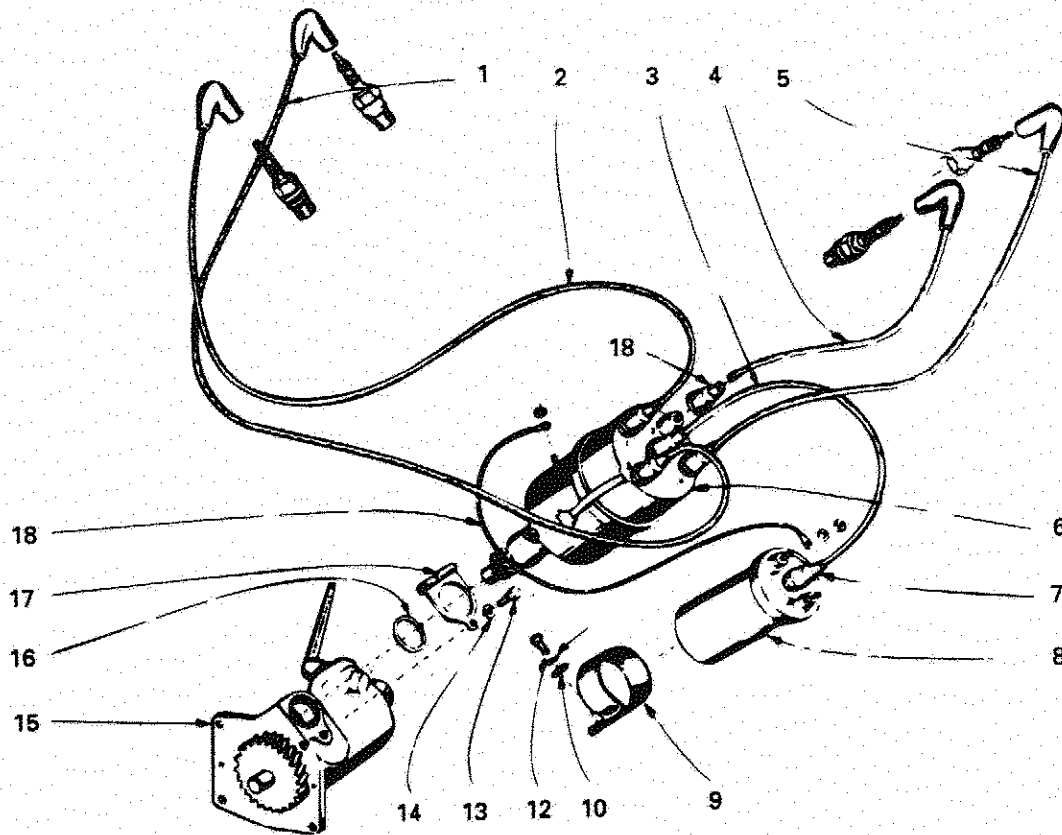
USE WITH MODEL TJD



ITEM	PART NO.	DESCRIPTION	QTY	ITEM	PART NO.	DESCRIPTION	QTY
1	YD20	Rubber nipple	3	19	PD79	Nut, 3/8"-16 thread	2
2	YF46	Distributor, Colt (replaces YF40)	1	20	PE5	Lock washer, 3/8"	2
3	MD363-3	Drive pulley	1	21	QD616	Gasket	1
4	XE65	Screw, no. 10-32 thread x 1/4" long	1	22	TB141BS1	Housing assembly (includes "O" ring, oil seal)	1
5	PH541	Oil seal	1	23	XD113	Screw, 3/8"-16 thread x 2-3/4" long	1
6	XD32	Screw, 3/8"-16 thread x 2" long	1	24	JK59	Packing ring	1
7	PH22A	Washer, 3/8" I.D.	2	25	PG543A1	Advance arm	1
8	JJ321	Drive shaft assembly (includes 9-14)	1	26	PE3	Lock washer, 1/4"	1
9	HD362-1	Drive shaft	1	27	XD4	Screw, 1/4"-20 thread x 1/2" long	1
10	ME112	Bearing	1	28	YL394-10	Ignition wire (replaces YL352-21)	1
11	PK108	Lock rings	3	29	YL339-22	Ignition cable, no. 1 cylinder	1
12	PA367	Pin, 1/8 x 7/8" long	1	30	YD20A	Rubber nipple	1
13	GF90A	Gear	1	31	YL358-23	Ignition cable	1
14	ME139	Bearing	1	32	YL339-26	Ignition cable, no. 2 cylinder	1
15	PL55	No. 6 Woodruff key	2				
16	PK107	Lock ring	1				
17	HF470	Spacer	1				
18	GD121	Drive gear	1				

TF135 Top Mounted Distributor And Ignition Coil Group

USE WITH MODEL VG4D



ITEM	PART NO.	DESCRIPTION	QTY	ITEM	PART NO.	DESCRIPTION	QTY
1	YL339-28	Ignition cable, no. 3 cylinder	1	11	PH196	Plain washer, 1/4"	1
2	YL339-24	Ignition cable, no. 1 cylinder	1	12	XA36	Screw, 1/4"-20 thread x 3/4" long	1
3	YL358-8	Ignition cable	1	13	XD5	Screw, 1/4"-20 thread x 5/8" long	1
4	YL339-14	Ignition cable, no. 2 cylinder	1	14	PE3	Lock washer, 1/4"	2
5	YL339-16	Ignition cable, no. 4 cylinder	1	15	T89-26	Governor assembly	1
6	YF45B	Distributor	1	16	JK59	"O" ring	1
7	YD20A	Terminal cap	1	17	PG543A1	Clamp assembly	1
8	† YF41AS1	Ignition coil, 12 volt (replaces YF38A)	1	18	YL352-11	Ignition wire assembly	1
9	PG556B	Strap, YF41A	1	19	YD20	Terminal cap	5
	* _____	Strap, Y38A	1	* Not serviced separately.			
10	PE74	Lock washer, 1/4"	1	† Ignition coil and mounting parts are not included in TF135 assembly.			

EYC112, EYC113 Solid State Breakerless Ignition With Externally Mounted Ignition Module

USE WITH MODELS TRA12D (EYC112); S12D, S14D (EYC113)

DESCRIPTION

Solid state breakerless ignition was designed to eliminate ignition maintenance and improve starting by electronically controlling the spark. A magnet ring, ignition coil, stator and ignition module are the basic parts of the solid state ignition system.

No timing adjustment or breaker point setting is necessary. The only mechanically moving part is the magnet ring, a component part of the flywheel.

OPERATION

Alternating current is generated as the flywheel magnet ring passes over the coil poles on stator plate. The current is then directed through a diode rectifier, an electronic device that allows the current to flow in only one direction, thus changing the alternating current to direct current. The direct current then continues on to a capacitor where it is stored momentarily. As the flywheel continues to turn, the permanent magnet in the ring passes over a trigger coil which generates a small amount of current to the solid state switch (Silicon Controlled Rectifier). The SCR is triggered by this current and releases the stored up energy in the capacitor to the primary windings of the ignition coil where a high voltage is induced into the secondary windings and on into the spark plug.

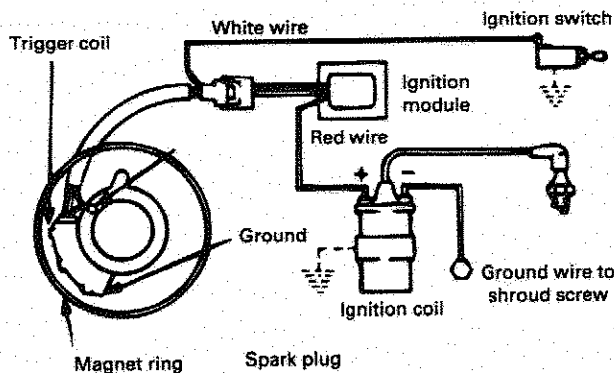


Figure 1 Wiring Diagram

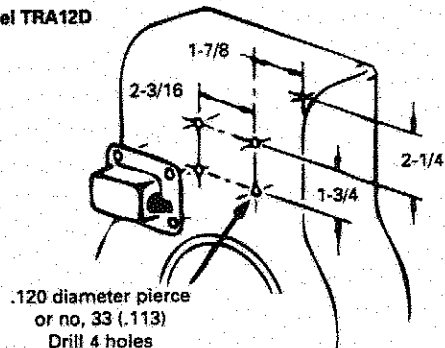
The spark timing is permanently established by the position of the trigger coil in the stator plate, relative to the flywheel keyway. See illustration, page 60.

SERVICE REPLACEMENT

Beginning with engine serial no. 5,626,521 for model TRA12D, and serial no. 5,635,132 of models S12D, S14D, the single unit stator assembly is replaced by a two unit system consisting of a stator and separate ignition module. The Ignition Module contains the rectifier, capacitor and SCR switch, and is externally mounted to the shroud for service convenience.

The Two Unit system is completely interchangeable with the single unit system and is mounted and wired per figure 1, figure 2 and Service Parts Illustration, page 60.

Model TRA12D



Models S12D, S14D

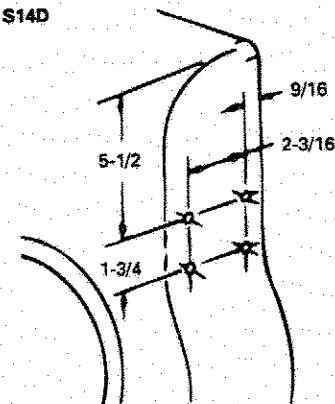


Figure 2 Ignition Module Mounting

IGNITION TIMING — SPARK ADVANCE

The accuracy of the spark advance timing can be checked with a neon timing lamp and 12 volt battery. Timing, however, cannot be changed, since it is

EYC112, EYC113 Solid State Breakerless Ignition With Externally Mounted Ignition Module

USE WITH MODELS TRA12D (EYC112); S12D, S14D (EYC113)

(Cont.)

electronically controlled by the trigger coil on the stator plate. Connect lamp leads to positive terminal of battery, spark plug terminal and ground.

The spark is retarded 10 to 12° before top dead center for starting, and automatically advances as engine speed increases. The running spark advance (2500 r.p.m. and over) is 20°.

Model TRA12D: The flywheel is marked with a groove to indicate the 20° running spark advance. With the engine operating at 2500 r.p.m. or over, the timing mark (groove) on rim of flywheel will appear in line with timing pointer, left view, figure 3.

Models S12D and S14D: The timing groove on the rim of flywheel, figure 3 (right), is marked for the 18° magneto and battery ignition advance, and timing can be checked to this mark for solid state ignition while the engine is running at 1000 r.p.m. When checking the 20° running spark advance, at 2500 r.p.m. or over, the timing mark (groove) will appear about 1/8" above the timing pointer.

Model TRA12D

Models S12D, S14D

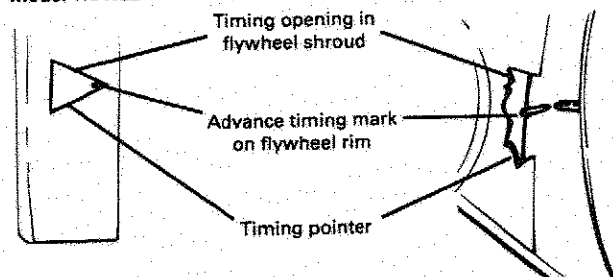


Figure 3 Ignition Timing

IGNITION FAILURE

In the event of malfunction of the ignition system, check the following:

Broken, frayed, loose or disconnected ignition wires.

Faulty spark plug — wet, dirty, insulator broken or incorrect plug gap.

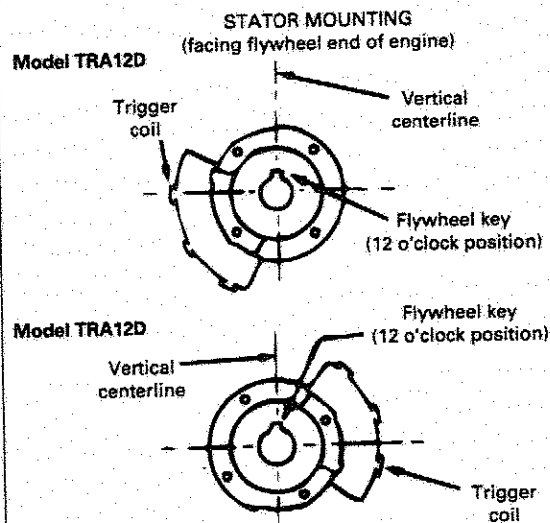
Check for spark — remove ignition cable from spark plug and wedge a piece of stiff bare wire into the

terminal boot and leave one end of the bare wire extended. With the extended wire held about 1/8" from cylinder head shroud, turn engine over by means of the starter sheave or starting motor and observe the spark discharge which should occur during the cranking cycle. A weak spark or no spark at all will indicate a defective stator or ignition module.

First, plug a new ignition module into the circuit, if this does not correct the malfunction, then replace the stator.

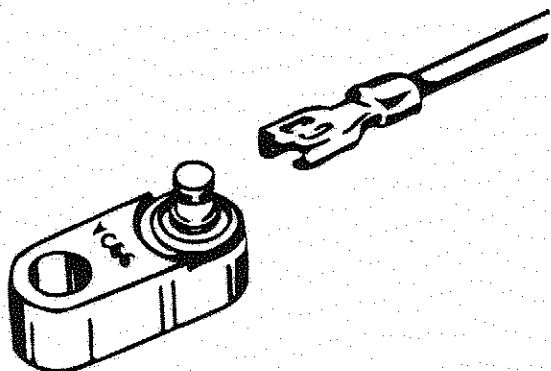
It is unlikely that the ignition coil or ignition switch would become defective, however these parts can be checked with an ohmmeter. The ignition switch should indicate 0 ohms in the closed position and ∞ in the open position. The ignition coil primary winding resistance is so low that it is inadvisable to try to measure it. The secondary winding, measured from the coil output to the coil case or ground, will indicate between 4000 and 6000 ohms. These static ohmmeter readings should be made with no external connections to the ignition switch or coil.

Stator must be mounted with the coils in a position relative to the vertical centerline of engine (below).



YC66GS1, YC66DS1 High Temperature Safety Switch Kits

USE WITH MODEL VG4D (YC66GS1, cuts out at 375°; YC66DS1 for all other models, cuts out at 480°)



DESCRIPTION

The high temperature safety switch is protection against an engine overheating and causing damages which result in costly repairs. The switch is mounted at a specific location on the cylinder head and will automatically stop the engine when head temperatures rise beyond a safe degree. Because of the low cost and simplicity of this unit, we confidently recommend its use whenever high temperature protection is required.

CONTENTS

The YC66D switch is included in a universal kit for all Wisconsin engine models listed below, with the exception of model VG4D which requires a YC66G switch. The YL357-42 wire assembly can be uncoiled to suit any required length, and the SD233 instruction decal should be mounted on the shrouding near switch.

The following are engine model designations and the respective capscrew and washer required to mount the switch. **OBSERVE CAREFULLY AND USE THE PROPER CAPSCREW AND WASHER.**

YC66DS1 for models ACN, BKN, TE, TF, THD, TJD, VE4D, VF4D, VH4D (includes XD22 Capscrew, 5/16"-18 thread x 1-3/4" long, PH77A Washer, 3/8" I.D.); AEH, AEN, AENL, AGND, S10D, S12D,

S14D, VR4D (includes XD31 Capscrew, 3/8"-16 thread x 1-3/4" long, PH77A, 3/8" I.D.); V465D, V461D, V460D (standard engine equipment)

Mount to cylinder head and block stud. Refer to engine instruction and parts manual for installation.

YC66GS1 for model VG4D (includes XD32 Capscrew, 3/8"-16 thread x 2" long, PH22 Washer, 3/8" I.D., PH377B Gomet)

INSTALLATION

Note: This high temperature safety switch will not work satisfactorially unless it is mounted in the correct location on the cylinder head. Therefore, attach switch to the proper cylinder head boss as shown in illustration pertaining to your particular engine model. Use the proper capscrew and washer, as specified in the preceding chart, and discard old screw and washer.

The switch terminal must not touch any part of the engine; the magneto or distributor will be shorted out and the engine would not start. Therefore, it will be necessary on some engines to cut a notch in the cylinder head cover, to provide clearance for the switch terminal. Refer to specific engine illustration for correct notching dimensions.

INSTALLATION PROCEDURE

To install the YC66D or YC66G high temperature safety switch, refer to the illustration on the following pages that pertain to your respective engine. The switch terminal must not touch any part of the metal shrouding, and must be mounted to the cylinder head bolt boss specified.

1. Remove and discard the cylinder head capscrew and washer at the location shown.
2. If necessary, mark and cut notch in cylinder head cover for switch terminal clearance.

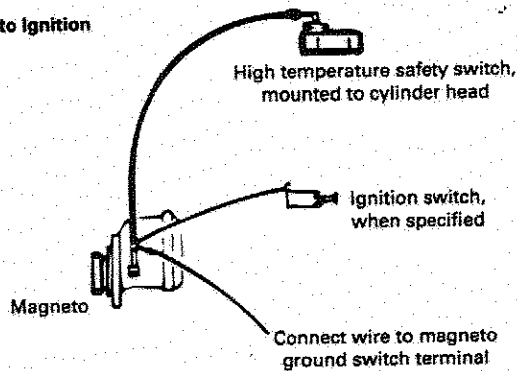
YC66GS1, YC66DS1 High Temperature Safety Switch Kits (Cont.)

USE WITH MODEL VG4D (YC66GS1, cuts out at 375°; YC66DS1 for all other models, cuts out at 480°)

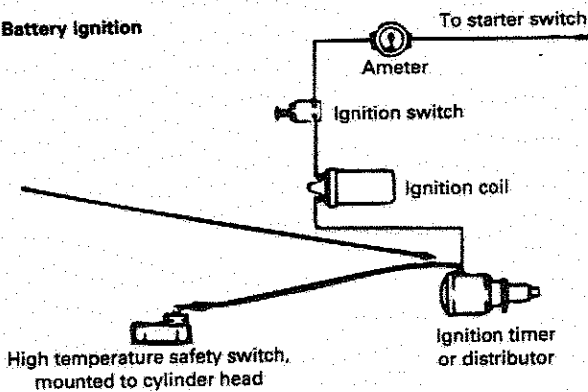
(Cont.)

3. Mount YC66D switch or YC66G (for VG4D) to cylinder head, with the proper size capscrew and washer.
4. Connect wire assembly YL357-42 from terminal on high temperature switch to magneto ground switch terminal, or if battery ignition is used, to the distributor or timer terminal. See wiring diagrams.

Magneto Ignition



Battery Ignition



WIRING DIAGRAMS

The installation of the high temperature safety switch is complete and the engine is ready to be started.

OPERATION

The high temperature safety switch is preset by the manufacturer to automatically short out the ignition system and stop the engine before cylinder head temperature becomes critically high. Consequently, a waiting period of about 10 minutes will be required before the switch has cooled off sufficiently to restart the engine. An overheated engine will score the cylinder wall, burn out connecting rod and crankshaft bearings, also warp piston and valves. The cause of the overheating condition will have to be remedied before the engine is re-started.

One or more of the following conditions may be the cause of the engine overheating and being shut off by the high temperature safety switch.

Restricted cool air circulation.

Part of air shroud removed.

Dirt between cooling fins on cylinder and head.

Carburetor incorrectly adjusted.

Ignition spark timed wrong.

Low grade of gasoline.

Engine overloaded.

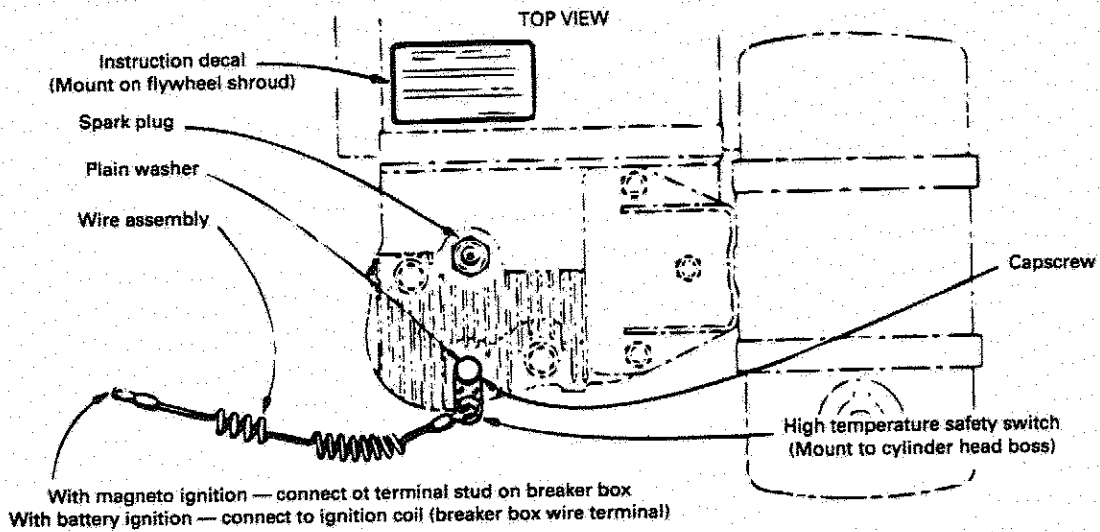
Carbon or lead deposits in cylinder head.

Restricted exhaust.

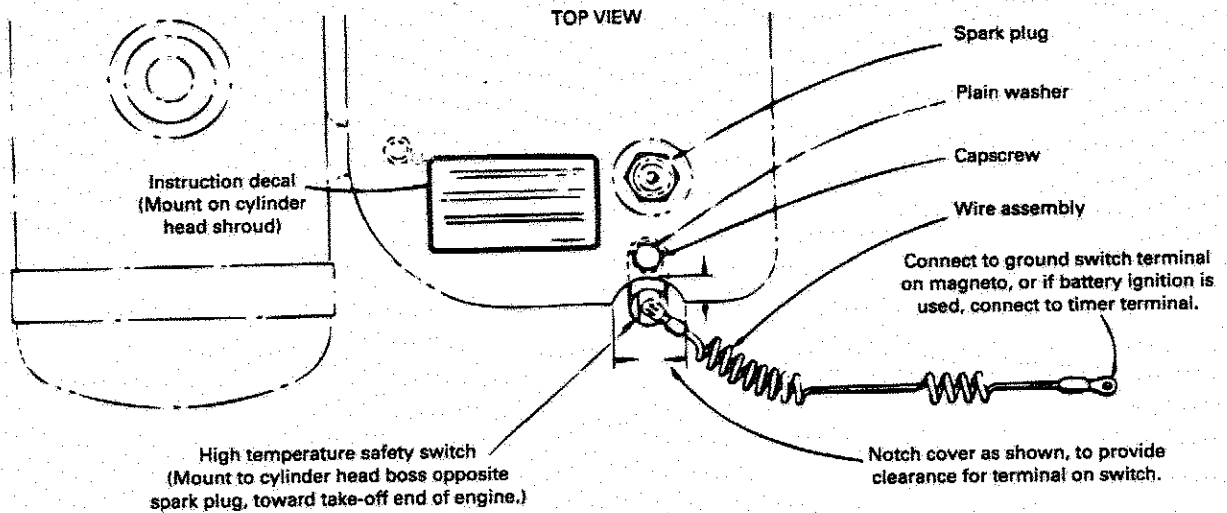
Engine operated while detonating, due to low octane gasoline or heavy load at low speed.

Neglect of air cleaner maintenance.

YC66GS1, YC66DS1 High Temperature Safety Switch Kits (Cont.)

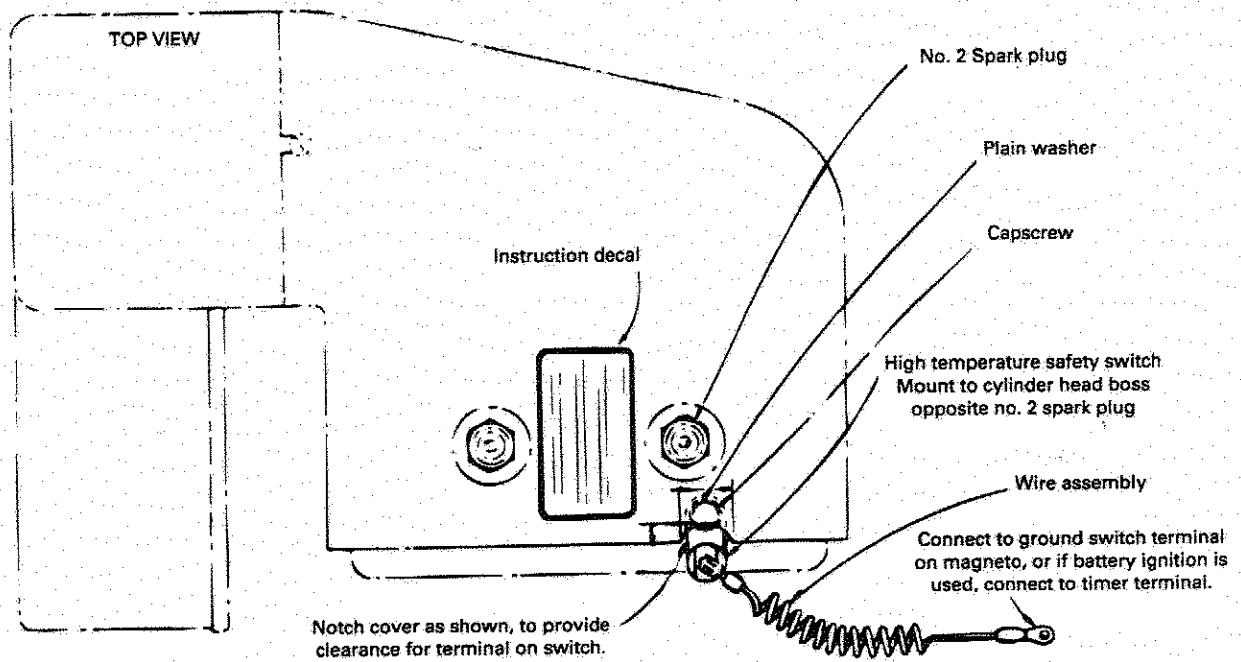


HI-TEMPERATURE SAFETY SWITCH MOUNTING ON ENGINE MODELS 210D, S12D, S14D



HI-TEMPERATURE SAFETY SWITCH MOUNTING ON ENGINE MODEL AGND

YC66GS1, YC66DS1 High Temperature Safety Switch Kits (Cont.)



HI-TEMPERATURE SAFETY SWITCH MOUNTING ON ENGINE MODELS TE, TF, THD, TJD