

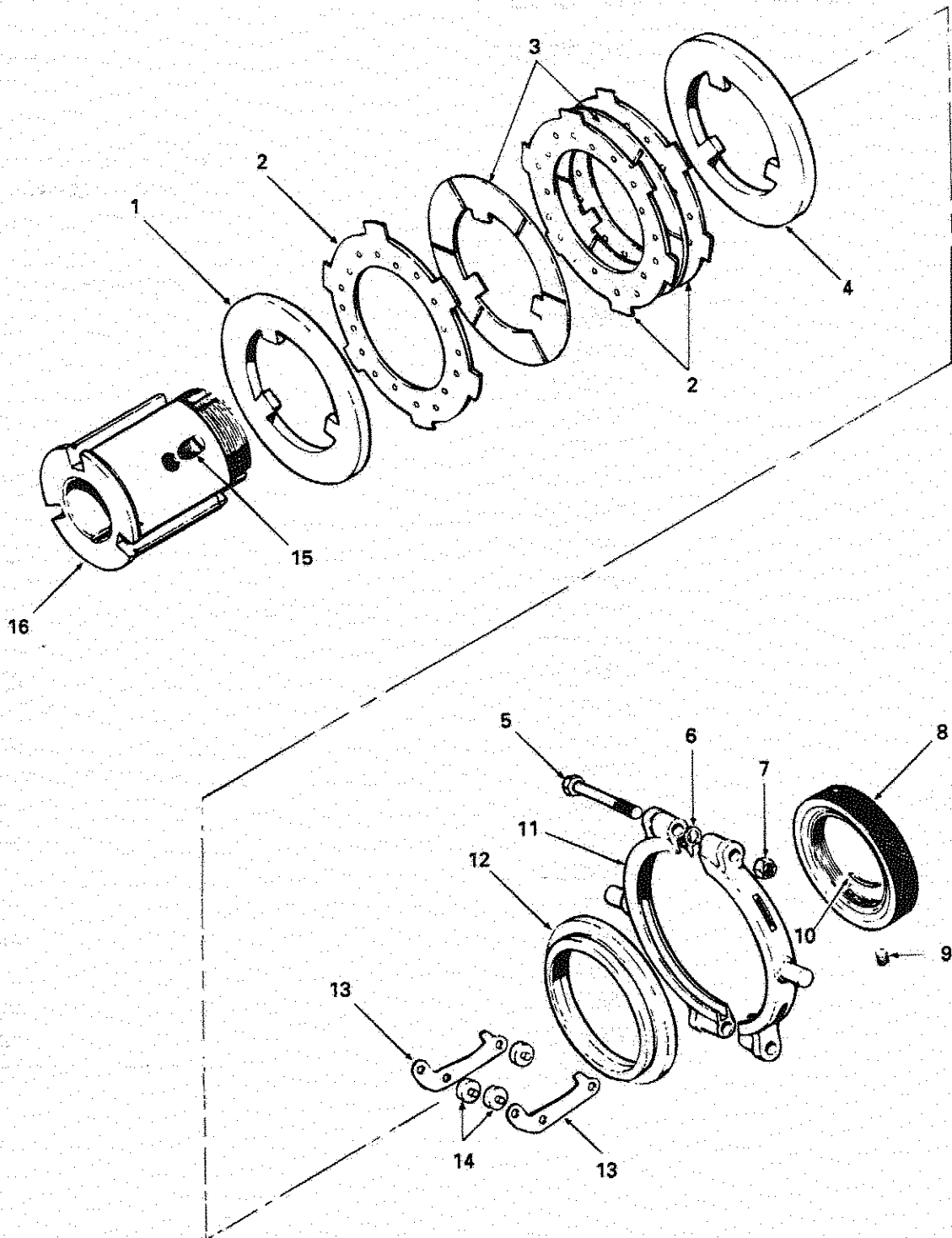
Clutch Assemblies By Engine Model

MODEL	PART NO.	ASSEMBLY
ABN, AKN	WC	WW
ACN, BKN	WC239 (Obsolete)	WW37
ADH, AEH	WC220-2 (Obsolete)	WW25-14
ADH, AEH	WC280A	WW79, WW79A
AFH, AGH, AHH	WC220-2 (Obsolete)	WW25-22, WW24D
AENL	WC280A	WW79A
AGND	W220-2 (Obsolete)	WW25-22, WW24D
AGND	WC288A	WW170
AGND	WC288A	WW61K
S7D, S8D	WC239	WW37B
S10D, S12D, S14D	WC280B	WW102
S10D, S12D, S14D	WC280A	WW79A
TE, TF, TH, TJD	WC280A	WW74A, 75A, 77A
TJPD	WC402	WW83
VE4D, VF4D	WC288A	WW61E
VG4D	WC249-1	WW80
VG4D	WC250-1	WW80
VG4D	WC251-1	WW80
VG4D	WC252-1	WW80
VG4D	WC253-1	WW80
VG4D	WC302G	WW83
VG4D	WC314	WW83
VG4D	WC315 (Obsolete)	WW83
VG4D	WC316	WW83
VG4D	WC402	WW83
VH4D	WC288A	WW170
VH4D	WC402	WW83
V465D	WC328A (Repl. by WC328C)	WW165
V465D	WC328C (Replaces WC328A)	WW165
V465D	WC329	WW165
V465D	WC330	WW165
V465D	WC360	WW165
W2-1230, W2-1235, W2-1250	WC248-1	WW188
W2-1230, W2-1235, W2-1250	WC288A	WW61P
W2-880	WC280A	WW74A
W2-880	WC280A	WW75A
W2-880	WC280A	WW77A

Clutch Assemblies By Part Number

PART NO.	ASSEMBLY	MODEL
WC220-2	WW25-14	ADH-AEH
	WW25-22	AFH-AGH-AHH-AGND
	WW24D	AFH-AGH-AHH-AGND
WC239	WW37	ACN-BKN-ABN-AKN
	WW137B	S7D, S8D
WC248-1	WW188	W2-1230-1235-1250
WC249-1	WW80	VG4D
WC250-1	WW80	VG4D
WC251-1	WW80	VG4D
WC252-1	WW80	VG4D
WC253-1	WW80	VG4D
WC280A	WW74A	TE-TF-TH-TJD, W2-880
	WW75A	TE-TF-TH-TJD
	WW77A	TE-TF-TH-TJD, W2-880
	WW79	ADH-AEH
	WW79A	ADH-AEH-AENL, S10D-S12D-S14D
	WW102	S10D-S12D-S14D
	WW170	AGND
WC280B	WW61E	VH4-VE4-VF4
	WW61K	AGND
	WW61P	W2-1230-1235-1250
	WW83	VG4D
WC314	WW83	VG4D
WC315	WW83	VG4D
WC316	WW83	VG4D
WC328A	WW165	V465D
WC328C	WW165	V465D
WC329	WW165	V465D
WC360	WW165	V465D
WC402	WW83	TJPD-VH4D-VG4D

WC220-2 4-1/2" Twin Disc Clutch Assembly (Obsolete)



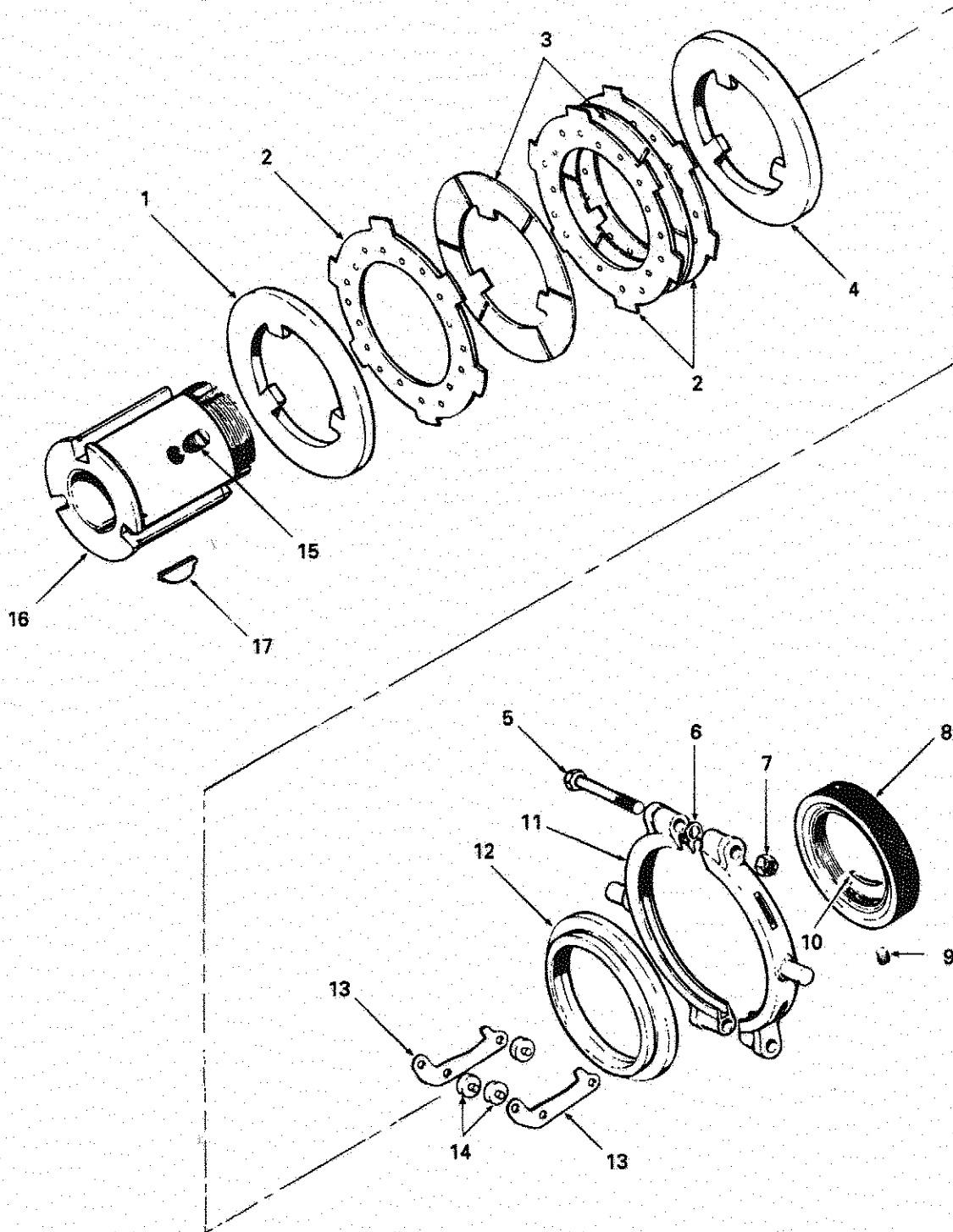
WC220-2 4-1/2" Twin Disc Clutch Assembly (Obsolete)

USE WITH MODELS ADH, AEH, AFH, AGH, AHH, AGND (see pg. 1)

ITEM	PART NO.	DESCRIPTION	QTY
1	78A1493C	Back clamping plate	1
2	78-4958	Drive plate	3
3	78-4955	Driven plate	2
4	78A1493	Clamping plate	1
5	78M2000T	Screw, 1/4"-28 thread x 2" long	2
6	78-2710	Shim	2
7	78M1930A	Locknut, 1/4"-28 thread x 7/32" long	2
8	78A1496A	Lock and adjusting nut	1
9	78M2041AQ	Adjusting nut set screw	1
10	78A2260	Lockwire	1
11	78X4941A	Sleeve collar assembly (includes 5-7)	1
12	78A1495	Wedge sleeve	1
13	78-4957	Lever	6
14	78A1494	Lever roller	9
15	78M2042K	Set screw, 3/8"-16 thread x 5/8" long	1
16	78Z4956G	Hub, 1/4" x 1/8" keyway (replaces 4956D)	1

NOTE: WC288A replaces WC220-2 (see SPB 27-77)

WC239 Clutch Assembly

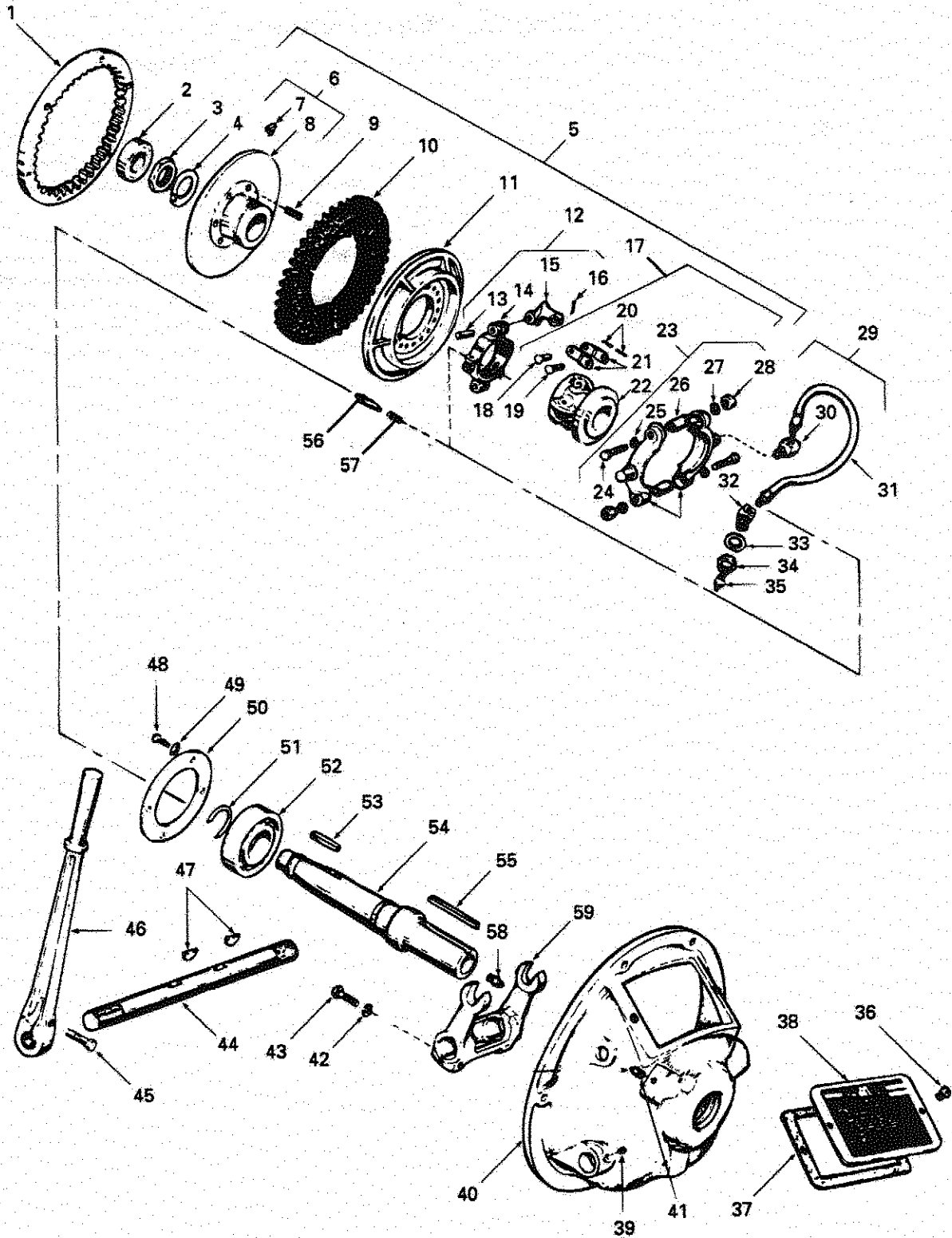


WC239 Clutch Assembly

USE WITH MODELS ACN, BKN, S7D, S8D (see pg. 3)

ITEM	PART NO.	DESCRIPTION	QTY	ITEM	PART NO.	DESCRIPTION	QTY
1	78A1536C	Back clamping plate	1	10	78A2260	Lock spring	1
2	78-1933H	Drive plate	3	11	78X4201D	Collar assembly (includes 5-7; replaces X4201C)	1
3	78A1696A	Driven plate (replaces A1696)	2	12	78A1539B	Wedge sleeve	1
4	78A1536	Clamping plate	1	13	78-4957	Lever	6
5	78M2000T	Screw, 1/4"-28 thread x 2" long (replaces M496)	2	14	78A1494	Lever roller	9
6	78-2710	Shim	2	15	78M2041AH	Set screw, 5/16"-18 thread x 1/2" long (replaces M1360)	1
7	78M1930A	Locknut, 1/4"-28 thread x 7/32"	2	16	78-4989E	Hub, 1/4" x 1/8" keyway (replaces 4989A)	1
8	78A1540A	Lock and adjusting nut	1	17	78M2045M	Sleeve key (replaces M584) ...	1
9	78M2041AQ	Set screw (replaces A1523) ...	1				

WC248-1 Clutch Take-Off Assembly



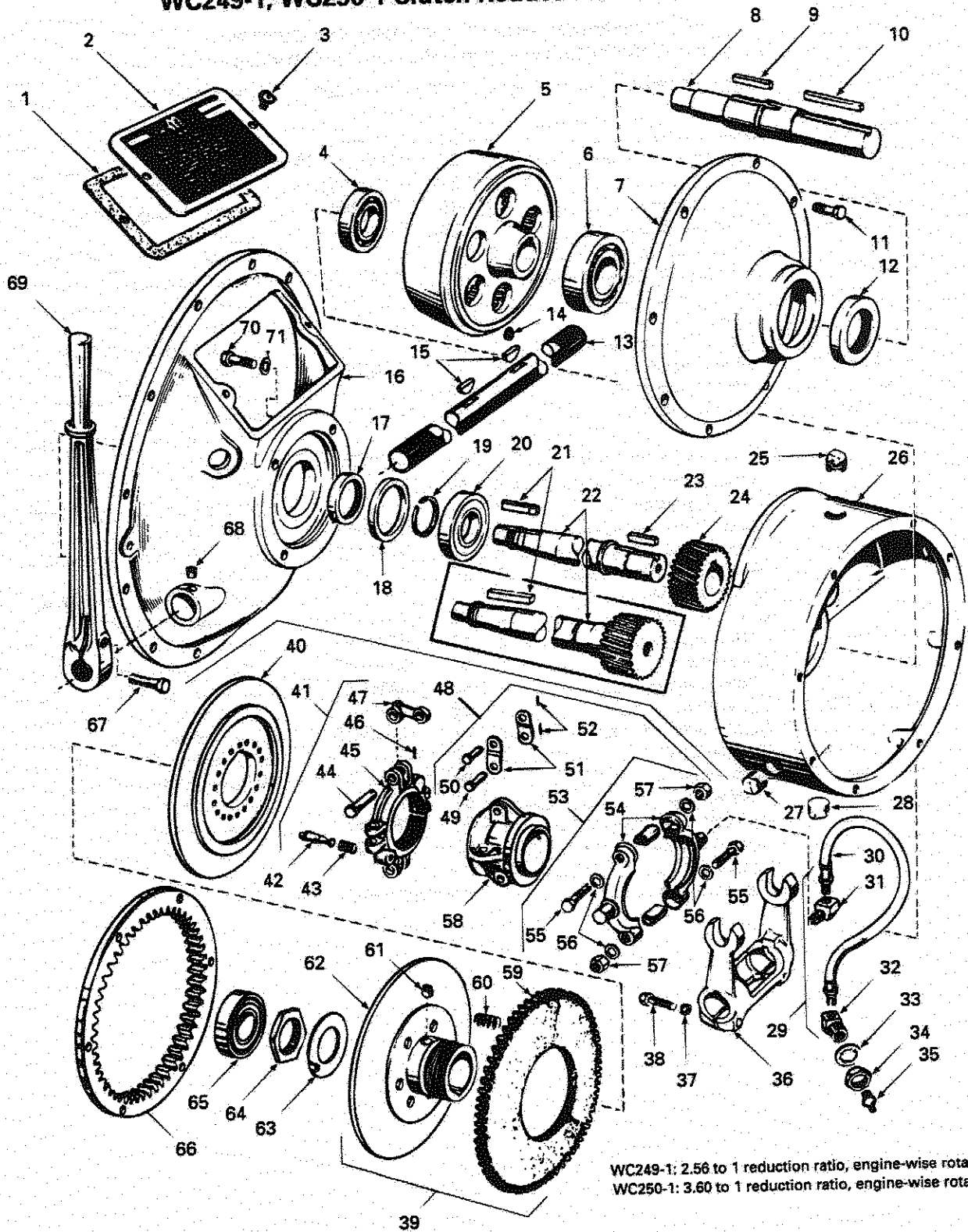
WC248-1 Clutch Take-Off Assembly

USE WITH MODELS W2-1250, W2-1230 AND W2-1235
(Adaptable to WW188 Drive Hub and Housing Assembly) (see pg. 5)

ITEM	PART NO.	DESCRIPTION	QTY	ITEM	PART NO.	DESCRIPTION	QTY
1	78-6661	Driving ring	1	32	* — — —	Straight fitting	1
2	78M141	Pilot bearing (205F)	1	33	78M2046AF	Lock washer, 5/8"	1
3	78-2727	Hub nut	1	34	78M2027AN	Jam nut, 5/8"	1
4	78A1587	Lock washer	1	35	78M268	Grease fitting, 1/8"	1
5	78XA5060	Clutch assembly (includes 6-28, 56, 57)	1	36	* — — —	Screw, 1/4"-20 thread x 1/2" long	2
6	78H18	Hub- and- back plate assem- bly (includes 7 and 8)	1	37	78A1339	Cover plate gasket	1
7	* — — —	Plate pin	1	38	78-1965R	Cover plate	1
8	* — — —	Hub- and- back plate	1	39	* — — —	Grease fitting, 1/4"	2
9	78A2286	Release spring	6	40	* — — —	Clutch housing, SAE no. 4	1
10	78A5436S	Split driving plate	1	41	78M268	Grease fitting, 1/8"	1
11	78A3087	Floating plate	1	42	* — — —	Lock washer, 3/8"	2
12	78A16	Yoke (includes 13-16, 56, 57)	1	43	* — — —	Screw, 3/8"-16 thread x 1-1/2" long ...	2
13	* — — —	Finger lever pin	4	44	78-2757	Operating shaft	1
14	* — — —	Adjusting yoke	1	45	* — — —	Screw, 1/2"-13 thread x 1-3/4" long ...	1
15	* — — —	Finger lever	4	46	78-3799	Hand lever	1
16	* — — —	Cotter pin	4	47	78M2022Z	No. 15 Woodruff key	2
17	78S387	Sleeve (includes 18-28)	1	48	* — — —	Screw, 5/16"-18 thread x 5/8" long	4
18	* — — —	Lever link pin	4	49	* — — —	Lock washer, 5/16"	4
19	* — — —	Lever link pin	4	50	78A1181	Bearing retainer	1
20	* — — —	Cotter pin	8	51	78A1002	External snap ring	1
21	* — — —	Lever link	8	52	78M177	Ball bearing (308F)	1
22	* — — —	Sliding sleeve	1	53	* — — —	Key, 1/4" x 1/4" x 1-7/8"	1
23	78X117C8	Collar (includes 24-28)	1	54	78A3026	Clutch shaft	1
24	* — — —	Screw, 3/8" x 1-3/4"	2	55	* — — —	Key, 3/8" x 3/8" x 2-1/2"	1
25	* — — —	Washer, 3/8"	2	56	* — — —	Adjusting lock pin	1
26	* — — —	Split collar	1	57	* — — —	Pin spring	1
27	* — — —	Washer, 3/8"	2	58	78M287	Grease fitting, 1/4"	1
28	* — — —	Nut, 3/8" -24 thread	2	59	78-1037	Throwout yoke	1
29	78A1663	Hose (includes 30-32)	1				
30	* — — —	Fitting, 90°	1				
31	* — — —	Flexible hose	1				

* Not serviced separately.

WC249-1, WC250-1 Clutch Reduction Unit Assemblies



WC249-1: 2.56 to 1 reduction ratio, engine-wise rotation;
 WC250-1: 3.60 to 1 reduction ratio, engine-wise rotation

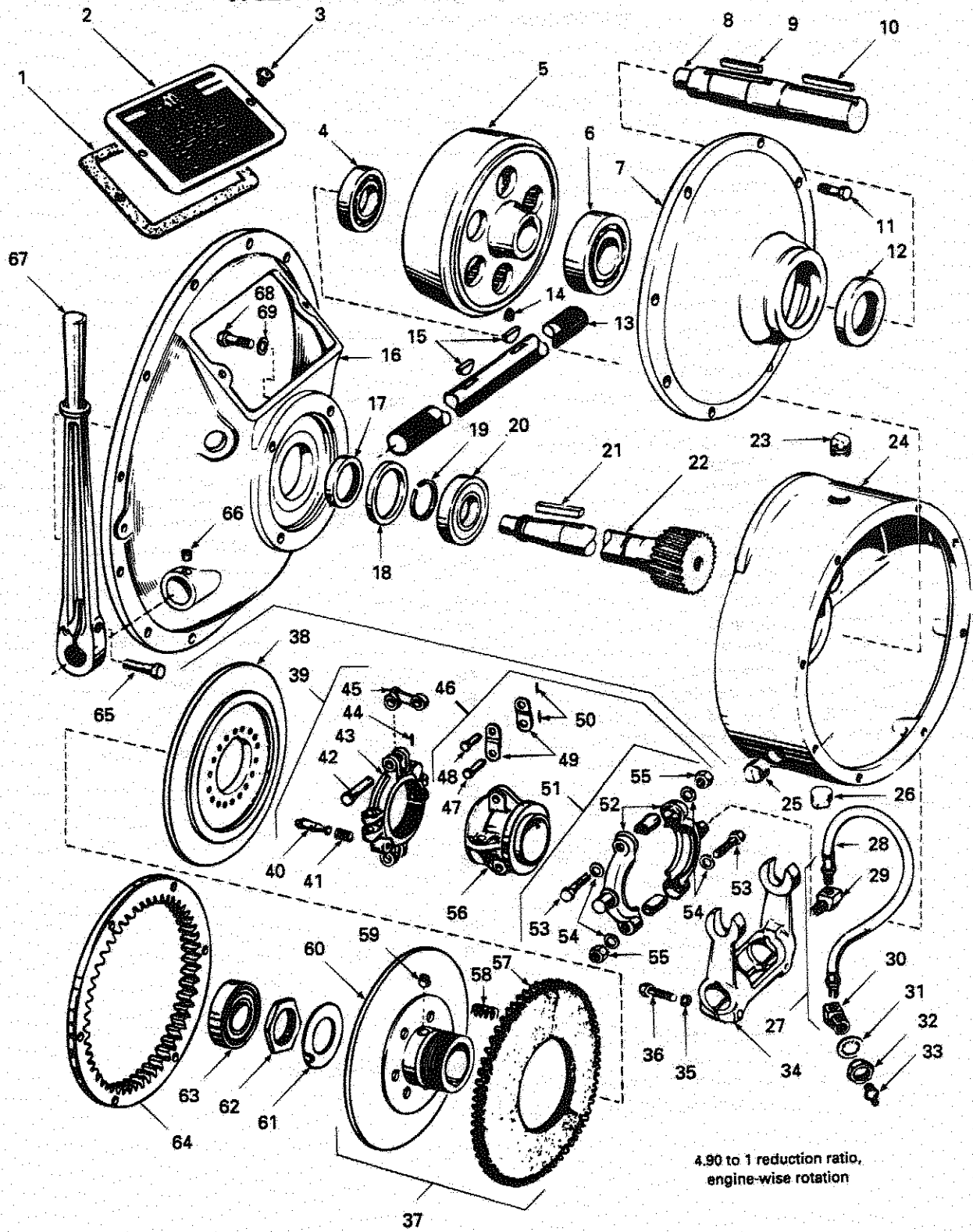
WC249-1, WC250-1 Clutch Reduction Unit Assemblies

USE WITH MODEL VG4D (see pg. 7)

ITEM	PART NO.	DESCRIPTION	QTY	ITEM	PART NO.	DESCRIPTION	QTY
1	78A1339	Specification plate gasket	1	36	78-1037	Throwout fork	1
2	78-1965R	Specification plate	1	37	* ———	Lock washer, 3/8"	2
3	* ———	Screw, 1/4"-20 thread x 1/2" long	2	38	* ———	Screw, 3/8"-16 thread x 1-1/2" long	2
4	78M1586	Ball bearing (52045BK)	1	39	78XA5060	Clutch (includes 40-62)	1
5	78-6381A	Internal driven gear, WC249-1	1	40	78A3087	Floating plate	1
—	78-6984	Internal driven gear, WC250-1	1	41	78A16	Yoke (includes 42-47)	1
6	78M174	Ball bearing (308M)	1	42	* ———	Adjusting lock pin	1
7	78-6974	Cover plate	1	43	* ———	Pin spring	1
8	78A3093	Shaft, counter	1	44	* ———	Finger lever pin	4
9	78M2032A	Key, 3/8" x 3/8" x 1-1/2"	1	45	* ———	Adjusting yoke	1
10	78M2032BH	Key, 3/8" x 3/8" x 3/1-4"	1	46	* ———	Cotter pin	4
11	* ———	Screw, 5/16"-18 thread x 7/8" long	8	47	* ———	Finger lever	4
12	78M417	Oil seal	1	48	785387	Sleeve, (includes 49-57)	1
13	78-2757	Operating shaft	1	49	* ———	Lever link pin	4
14	78M2039E	Set screw, 1/2"-13 thread x 5/18" long	1	50	* ———	Lever link pin	4
15	78M2022V	Woodruff key	2	51	* ———	Lever link	8
16	78-7611	Clutch housing, no. 5 S.A.E.	1	52	* ———	Cotter pin	8
17	78M105B	Oil seal	1	53	78X117C8	Collar (includes 54-57)	1
18	78-2909	Spacer	1	54	* ———	Split collar	1
19	78-2923	Snap ring	1	55	* ———	Screw, 3/8"-24 thread x 1-3/4" long	2
20	78M144	Ball bearing (207MF)	1	56	* ———	Washer, 3/8"	4
21	78M2032X	Key, 1/4" x 1/4" x 1-7/8"	1	57	* ———	Nut, 3/8"-24 thread	2
22	78A3094	Clutch shaft, WC249-1	1	58	* ———	Sliding sleeve	1
—	78A3095	Clutch shaft and gear, WC250-1	1	59	78A546S	Driving plate	1
23	78M2032AL	Gear key, 5/16" x 5/16" x 1-1/8", WC249-1	1	60	78A2286	Release spring	6
24	78-2944A	Clutch drive gear, WC249-1	1	61	* ———	Hub- and back-pin	1
25	78-1340A	Pipe plug	1	62	78H18	Hub- and back-plate assembly	1
26	* ———	Gear housing	1	63	78A1587	Lock washer	1
27	* ———	Oil level plug, 1/2" pipe	1	64	78-2727	Hub nut	1
28	* ———	Oil drain plug, 1/2" pipe	1	65	78M141	Pilot ball bearing (205SF)	1
29	78A1663	Hose (includes 23-25)	1	66	78-6661	Driving ring	1
30	* ———	Flexible hose	1	67	* ———	Screw, 1/2"-13 thread x 1-3/4" long	1
31	* ———	Fitting, 90°	1	68	* ———	Oil cup	2
32	* ———	Straight fitting	1	69	78-3799	Hand lever	1
33	78M2046AF	Lock washer, 5/8"	1	70	* ———	Screw, 5/8"-11 thread x 1-1/2" long	4
34	78M2027AN	Jam nut, 5/8"-18 thread	1	71	* ———	Lock washer, 5/8"	4
35	78M268	Hydraulic fitting, 1/8"	1				

* Not serviced separately.

WC251-1 Clutch Reduction Unit Assembly



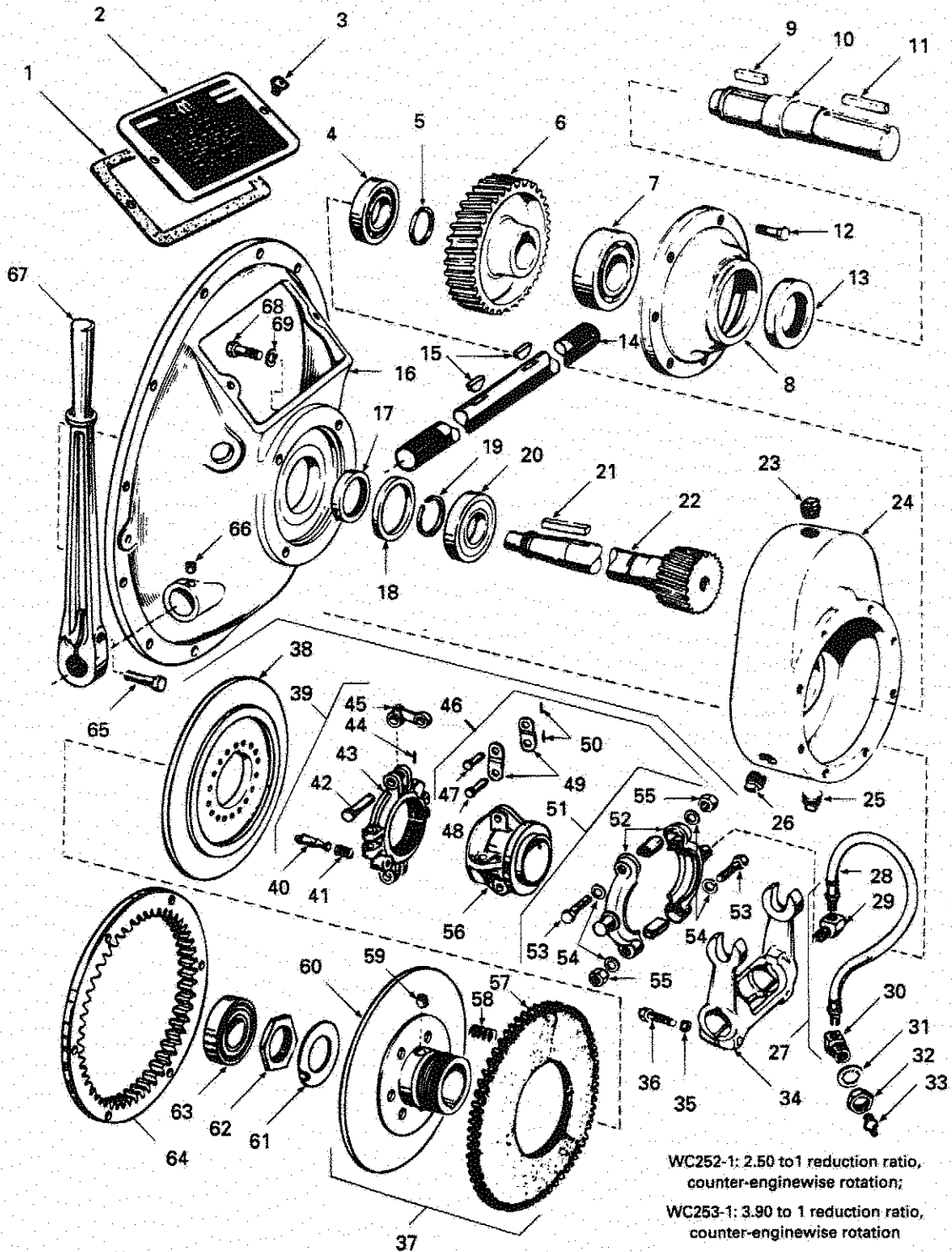
WC251-1 Clutch Reduction Unit Assembly

USE WITH MODEL VG4D (Adaptable to WW80 Drive Hub and Housing Assembly) (see pg. 9)

ITEM	PART NO.	DESCRIPTION	QTY	ITEM	PART NO.	DESCRIPTION	QTY
1	78A1339	Specification plate gasket	1	37	78XA5060	Clutch (includes 38-60)	1
2	78-1965R	Specification plate	1	38	78A3087	Floating plate	1
3	* ———	Screw, 1/4"-20 thread x 1/2" long	2	39	78A16	Yoke (includes 40-45)	1
4	78M166	Ball bearing (306M)	1	40	* ———	Adjusting lock pin	1
5	78-6381A	Internal driven gear	1	41	* ———	Pin spring	1
6	78M178	Ball bearing (309M)	1	42	* ———	Finger lever pin	4
7	78-6981	Cover plate	1	43	* ———	Adjusting yoke	1
8	78A3098	Counter shaft	1	44	* ———	Cotter pin	4
9	78M2032AY	Key, 3/8" x 3/8" x 1-1/2"	1	45	* ———	Finger lever	4
10	78M2033B	Key, 7/16" x 7/16" x 2-7/8"	1	46	78S387	Sleeve, (includes 47-55)	1
11	* ———	Screw, 5/16"-18 thread x 7/8" long	8	47	* ———	Lever link pin	4
12	78M605	Counter shaft oil seal	1	48	* ———	Lever link pin	4
13	78-2757	Operating shaft	1	49	* ———	Lever link	8
14	78M2039E	Set screw, 1/2"-13 thread x 5/8" long	1	50	* ———	Cotter pin	8
15	78M2022V	Woodruff key	2	51	78X117C8	Collar (includes 52-55)	1
16	78-7611	Clutch housing, no. 5 S.A.E.	1	52	* ———	Split collar	1
17	78M105B	Oil seal	1	53	* ———	Screw, 3/8"-24 thread x 1-3/4" long	2
18	78-2909	Spacer	1	54	* ———	Washer, 3/8"	4
19	78-2923	Snap ring	1	55	* ———	Nut, 3/8"-24 thread	2
20	78M144	Ball bearing (207MF)	1	56	* ———	Sliding sleeve	1
21	78M2032X	Key, 1/4" x 1/4" x 1-7/8"	1	57	78A5436S	Driving plate	1
22	78A3097	Clutch shaft and gear	1	58	78A2286	Release spring	6
23	78-1340A	Pipe plug	1	59	* ———	Hub- and back-pin	1
24	* ———	Gear housing	1	60	78H18	Hub- and back-plate assembly	1
25	* ———	Oil level plug, 1/2" pipe	1	61	78A1587	Lock washer	1
26	* ———	Oil drain plug, 1/2" pipe	1	62	78-2727	Hub nut	1
27	78A1663	Hose (includes 28-30)	1	63	78M141	Pilot ball bearing (205SF)	1
28	* ———	Flexible hose	1	64	78-6661	Driving ring	1
29	* ———	Fitting, 90°	1	65	78M2004R	Screw, 1/2"-13 thread x 1-3/4" long	1
30	* ———	Straight fitting	1	66	* ———	Oil cup	2
31	78M2046AF	Lock washer, 5/8"	1	67	78-3799	Hand lever	1
32	78M2027AN	Jam nut, 5/8"-18 thread	1	68	* ———	Screw, 5/8"-11 thread x 1-1/2" long	4
33	78M268	Hydraulic fitting, 1/8"	1	69	* ———	Lock washer, 5/8"	4
34	78-1037	Throwout fork	1				
35	* ———	Lock washer, 3/8"	2				
36	* ———	Screw, 3/8"-16 thread x 1-1/2" long	2				

* Not serviced separately.

**WC252-1, WC253-1 Twin Disc Clutch Reduction Unit Assemblies
(Twin Disc no. C107A2RG5, C107A4RG5)**



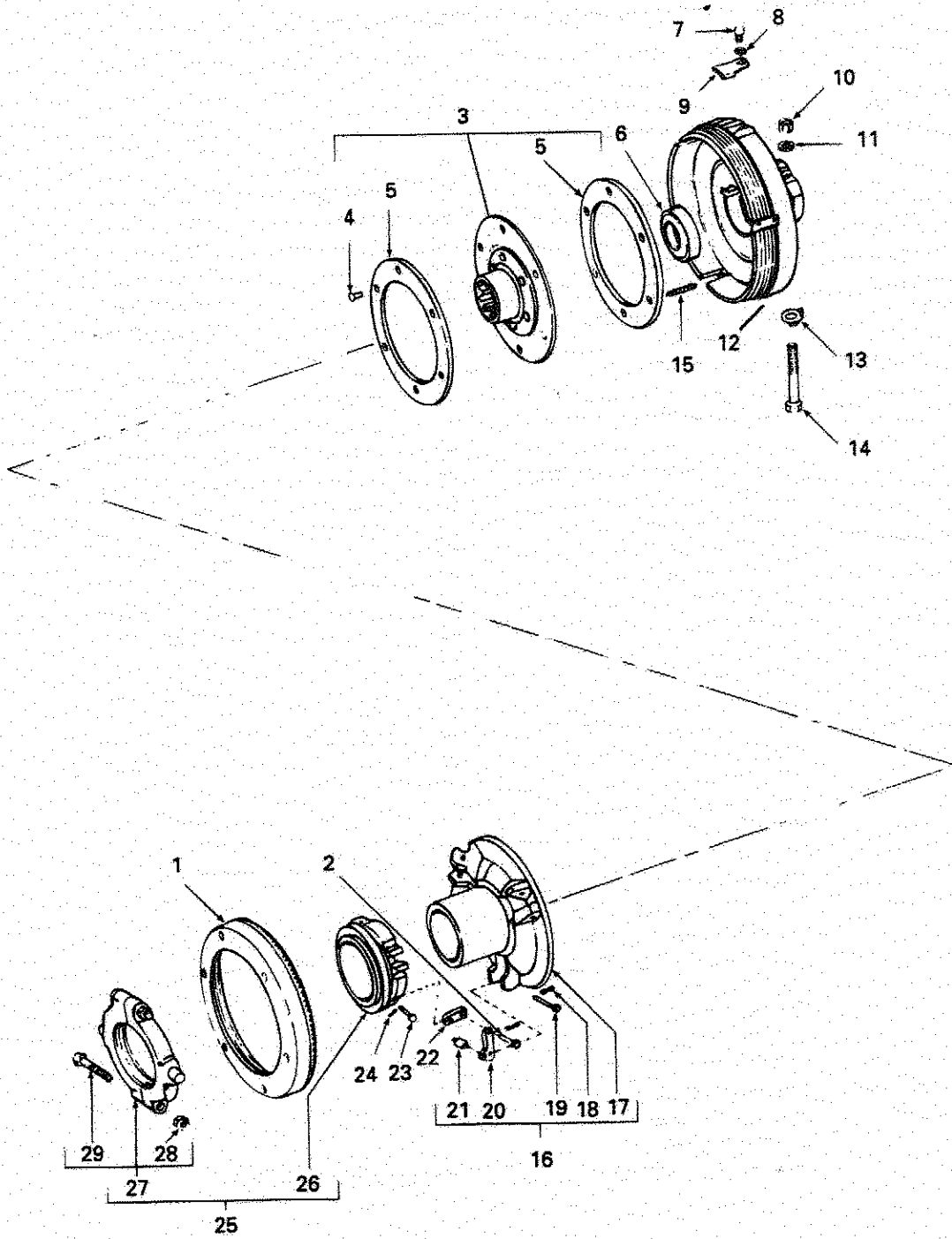
**WC252-1, WC253-1 Twin Disc Clutch Reduction Unit Assemblies
(Twin Disc no. C107A2RG5, C107A4RG5)**

USE WITH MODEL VG4D (Adaptable to WW80 Drive Hub and Housing Assembly) (see pg. 11)

ITEM	PART NO.	DESCRIPTION	QTY	ITEM	PART NO.	DESCRIPTION	QTY
1	78A1339	Specification plate gasket	1	36	* ———	Screw,	
2	78-1965R	Specification plate	1			3/8"-16 thread x 1-1/2" long ...	2
3	* ———	Screw,		37	78XA5060	Clutch (includes 38-60)	1
		1/4"-20 thread x 1/2" long	2	38	78A3087	Floating plate	1
4	78M143	Ball bearing (207M)	1	39	78A16	Yoke (includes 40-45)	1
5	78A1358	Snap ring	1	40	* ———	Adjusting lock pin	1
6	78A3108	Gear, WC2521	1	41	* ———	Pin spring	1
—	78A3109	Gear, WC2531	1	42	* ———	Finger lever pin	4
7	78M174	Ball bearing (308M)	1	43	* ———	Adjusting yoke	1
8	78-6997	End cover plate	1	44	* ———	Cotter pin	4
9	78M2032BC	Key, 3/8" x 3/8" x 2"	1	45	* ———	Finger lever	4
10	78A3110	Counter shaft	1	46	785387	Sleeve (includes 47-50)	1
11	78M2032BE	Key, 3/8" x 3/8" x 2-1/2"	1	47	* ———	Lever link pin	4
12	* ———	Screw,		48	* ———	Lever link pin	4
		5/16" -18 thread x 7/8" long ...	8	49	* ———	Lever link	8
13	78M417	Oil seal	1	50	* ———	Cotter pin	8
14	78-2757	Operating shaft	1	51	78X117C8	Collar (includes 52-55)	1
15	78M2022	No. 15 Woodruff key	2	52	* ———	Split collar	1
16	78-7611	Clutch housing,		53	* ———	Screw,	
		no. 5 S.A.E.	1			3/8"-24 thread x 1-3/4" long ...	2
17	78M105B	Oil seal	1	54	* ———	Washer, 3/8"	4
18	78-2909	Spacer	1	55	* ———	Nut, 3/8"-24 thread	2
19	78-2923	Snap ring	1	56	* ———	Sliding sleeve	1
20	78M144	Ball bearing (207MF)	1	57	78A54365	Driving plate	1
21	78M2032X	Key, 1/4" x 1/4" x 1-7/8"	1	58	78A2286	Release spring	6
22	78A3111	Clutch shaft and pinion,		59	* ———	Hub- and back-pin	1
		WC2521	1	60	78H18	Hub- and back-plate	
—	78A3097	Clutch shaft and pinion,				assembly	
		WC2531	1			(includes item 59)	1
23	78-1340A	Pipe plug	1	61	78A1587	Lock washer	1
24	* ———	Gear housing	1	62	78-2727	Hub nut	1
25	* ———	Oil drain plug, 1/2" pipe	1	63	78M141	Pilot ball bearing (205SF)	1
26	* ———	Oil level plug, 1/2" pipe	1	64	78-6661	Driving ring	1
27	78A1663	Hose (includes 22-24)	1	65	* ———	Screw,	
28	* ———	Flexible hose	1			1/2"-13 thread x 1-3/4" long ...	1
29	* ———	Fitting, 90°	1	66	* ———	Operating shaft fitting	2
30	* ———	Straight fitting	1	67	78-3799	Hand lever	1
31	78M2046AF	Lock washer, 5/8"	1	68	* ———	Screw,	
32	78M2027AN	Jam nut, 5/8"-18 thread	1			5/8"-11 thread x 1-1/2" long ...	4
33	78M268	Hydraulic fitting, 1/8"	1	69	* ———	Lock washer, 5/8"	4
34	78-1037	Throwout yoke	1				
35	* ———	Lock washer, 3/8"	2				

* Not serviced separately.

WC280 Clutch Assembly

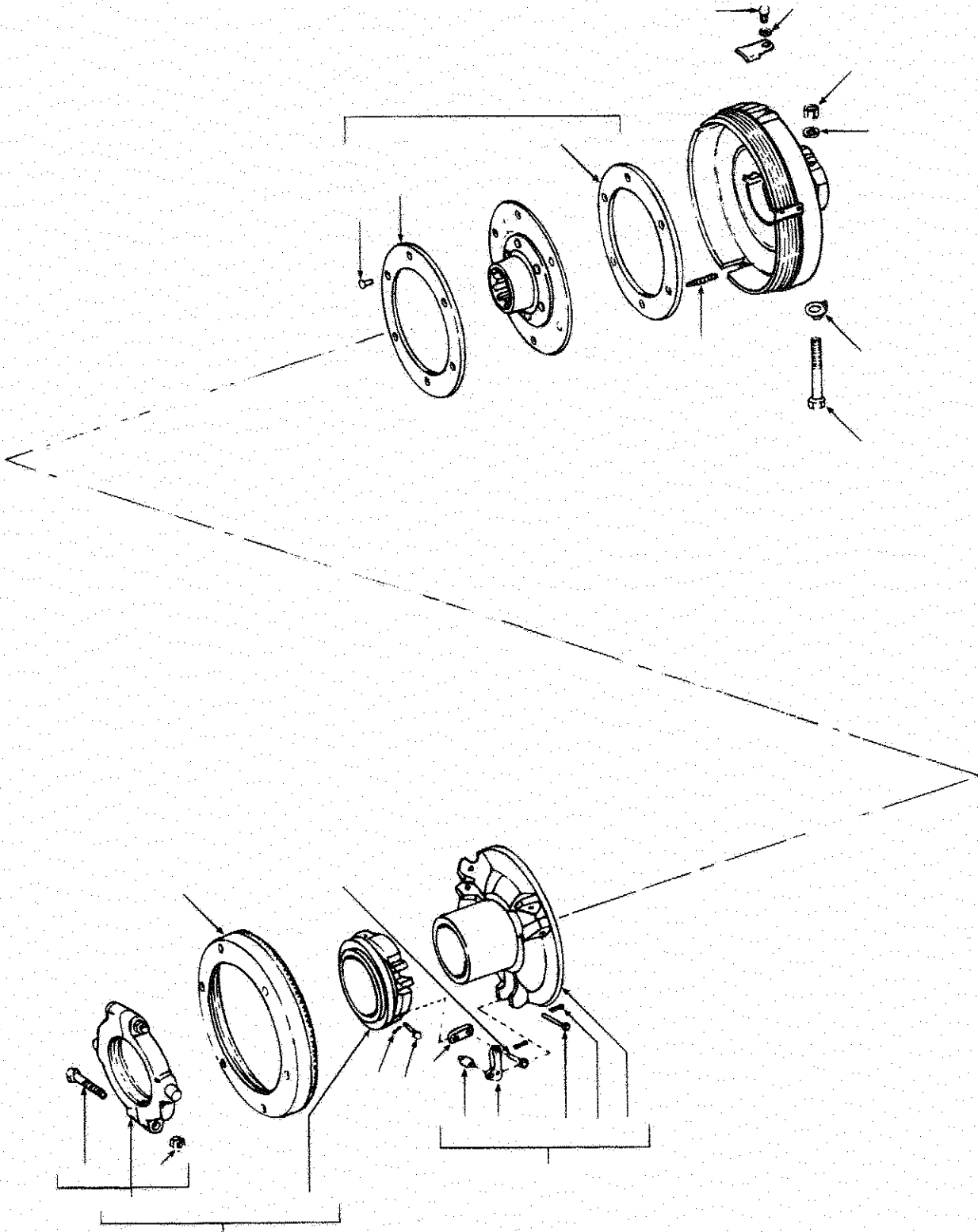


WC280A Clutch Assembly

USE WITH MODELS TE, TF, TH, TJD, ADH, AEH, AENL, S10D, S12D, S14D, W2-880 (see pg. 13)

ITEM	PART NO.	DESCRIPTION	QTY	ITEM	PART NO.	DESCRIPTION	QTY
1	63CL4964	Adjusting ring	1	15	63CL5087	Spring	3
2	63CL5152	Short link pin	3	16	63UCL1-5228A	Pressure plate and lever assembly (includes 17-21)	1
3	63UCL5230	Drive member assembly (includes 4 and 5; includes splined center and plate assembly)	1	17	63UCL5228	Pressure plate assembly	1
4	63CL1011	Brass rivet	6	18	63CL5092	Cotter pin, 1/16" x 3/8" long ...	3
5	63CL409618	Facing (Raybestos no. 500B)	2	19	63CL5156	Lever pin	3
6	ME131A	Pilot bearing (replaces CL6783)	1	20	63CL5543	Lever	6
7	63CL8807-1	Screw, 1/4"-20 thread x 3/8" long	1	21	63LM408	Roller (replaces 63CL4775 and 63CL4971)	3
8	63CL3468	Washer, 1/4"	1	22	63CL4776	Connecting link	6
9	63CL7012	Adjustment lock	1	23	63CL5153	Long link pin	3
10	PD11	Nut, 3/8"-24 thread (replaces 63CL5319)	2	24	63CL5092	Cotter pin, 1/16" x 3/8" long ...	6
11	PE5	Lock washer, 3/8" (replaces 63PT353)	2	25	63UCL7-5229	Release sleeve assembly (includes 26-29)	1
12	63CL7248	Clutch housing	1	26	63CL5229	Release sleeve	1
13	63CL5211	Screw lock	2	27	63UCL144966	Release bearing assembly (includes 28 and 29; includes release bearing)	1
14	63CL5318	Clamp screw, 3/8"-24 thread x 2-1/2" long ...	2	28	63CL7356	Elastic stop nut, 5/16"-24 thread	2
				29	63CL33351	Screw, 5/16"-24 thread x 1-3/4" long	2

WC280B Clutch Assembly

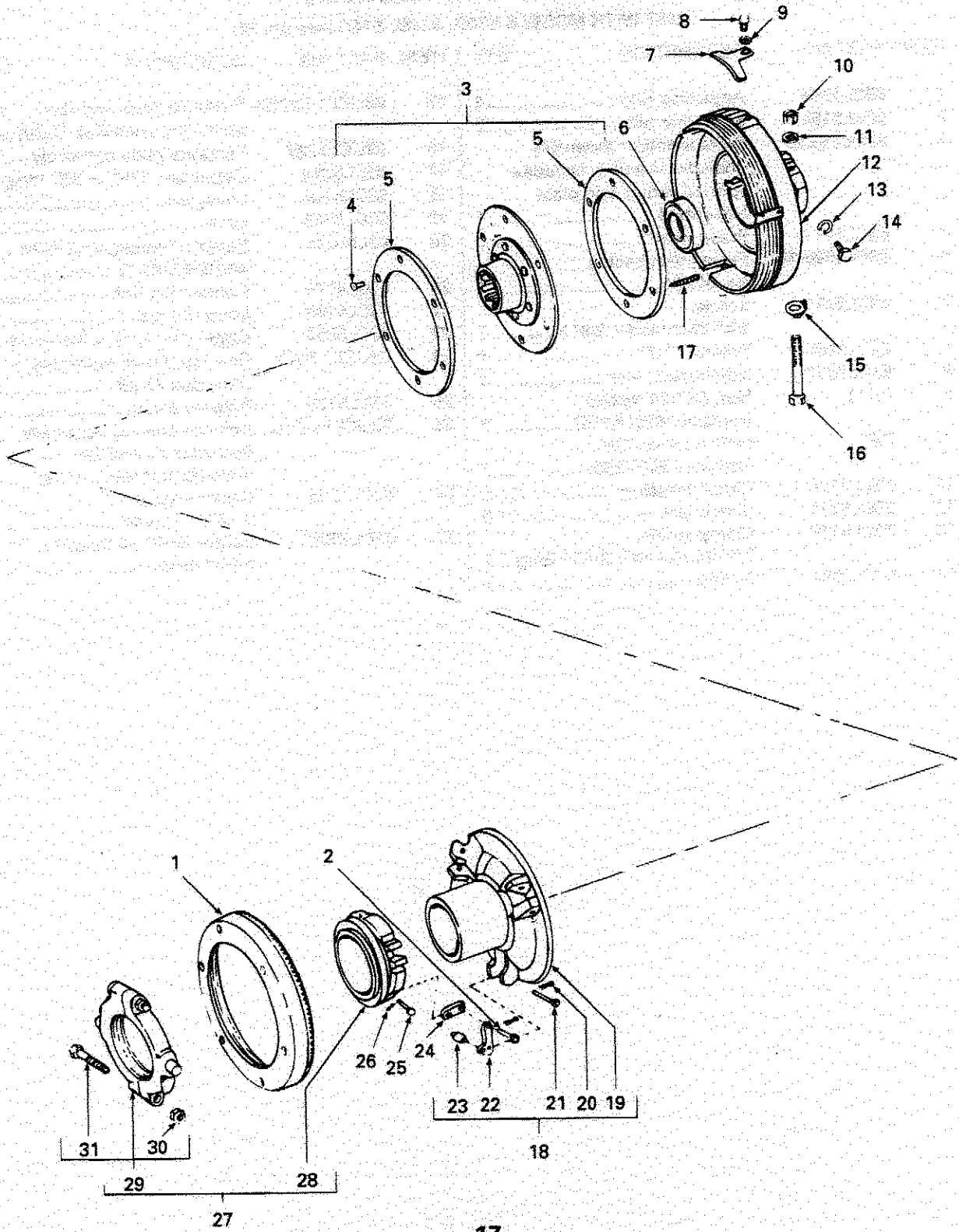


WC280B Clutch Assembly

USE WITH MODELS S10D, S12D, S14D (see pg. 15)

ITEM	PART NO.	DESCRIPTION	QTY	ITEM	PART NO.	DESCRIPTION	QTY
1	63CL4964	Adjusting ring	1	15	63UCL1-5228A	Pressure plate and lever assembly (includes 16-20)	1
2	63CL5152	Short link pin	3	16	63UCL5228	Pressure plate assembly	1
3	63UCL5230	Drive member assembly (includes 4 and 5; includes splined center and plate assembly)	1	17	63CL5092	Cotter pin, 1/16" x 3/8" long ...	3
4	63CL1011	Brass rivet	6	18	63CL5156	Lever pin	3
5	63CL4096-18	Facing (Raybestos no. 500B)	2	19	63CL5543	Lever	6
6	63CL8807-1	Screw, 1/4"-20 thread x 3/8" long	1	20	63LM408	Roller (replaces 63CL4775 and 63CL4971)	3
7	63CL3468	Washer, 1/4"	1	21	63CL4776	Connecting link	6
8	63CL7012	Adjustment lock	1	22	63CL5153	Long link pin	3
9	PD11	Nut, 3/8"-24 thread (replaces 63CL5319)	2	23	63CL5092	Cotter pin, 1/16" x 3/8" long ...	6
10	PE5	Lock washer, 3/8" (replaces 63PT353)	2	24	63UCL7-5229	Release sleeve assembly (includes 25-28)	1
11	63CL7248-1	Clutch housing	1	25	63CL5229	Release sleeve	1
12	63CL5211	Screw lock	2	26	63UCL144966	Release bearing assembly (includes 27 and 28; includes release bearing)	1
13	63CL5318	Clamp screw, 3/8"-24 thread x 2-1/2" long ...	2	27	63CL7356	Elastic stop nut, 5/16"-24 thread	2
14	63CL5087	Spring	3	28	63CL33351	Screw, 5/16"-24 thread x 1-3/4" long	2

WC288A Clutch Assembly

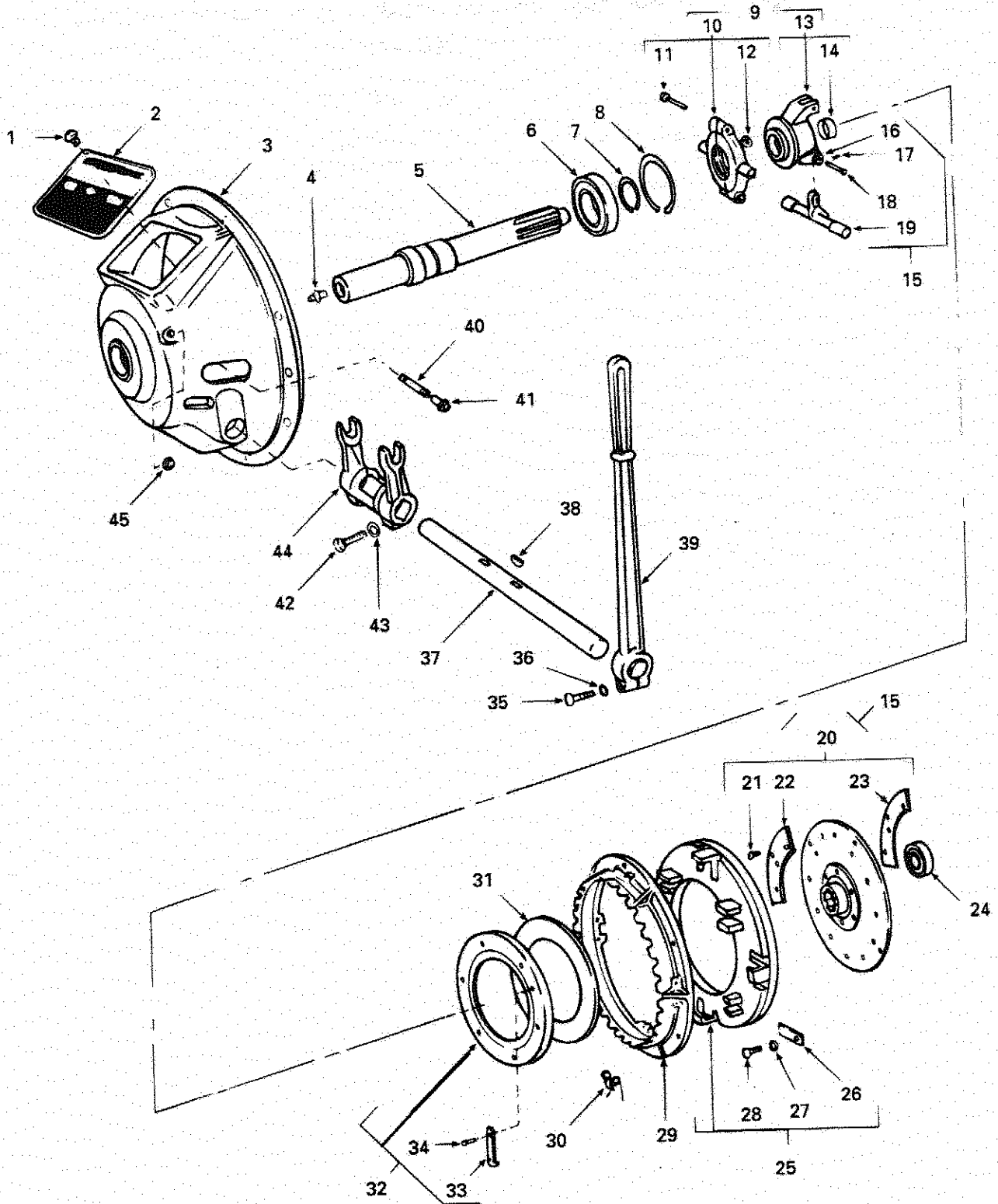


WC288A Clutch Assembly

USE WITH MODELS VE4D, VF4D, AGND, VH4D, W4-1770, W2-1230, W2-1235, W2-1250 (see pg. 17)

ITEM	PART NO.	DESCRIPTION	QTY	ITEM	PART NO.	DESCRIPTION	QTY
1	63CL5147	Adjusting ring	1	16	63CL5318	Screw, 3/8"-24 thread x 2-1/2" long ...	2
2	63CL5152	Short link pin	3	17	63CL5087	Return spring	3
3	63UCL1124410	Driven member assembly (includes 4 and 5; includes splined center and plate assembly)	1	18	63UCL5146-1A	Pressure plate and lever assembly (includes 19-23)	1
4	63CL1011	Tubular rivet	6	19	63UCL51461	Pressure plate assembly	1
5	63CL5321-40	Facing (Thermoid DK)	2	20	63CL5092	Cotter pin, 1/16" x 3/8" long ...	3
6	ME189	Pilot bearing	1	21	63CL5156	Lever pin	3
7	PK105	Adjusting lock (replaces 63CL4973)	1	22	63CL5544	Lever	6
8	63CL8807-1	Screw, 1/4"-20 thread x 3/8" long	1	23	63LM408	Roller	3
9	63CL3468	Lock washer, 1/4"	1	24	63CL4776	Connecting link	6
10	PD11	Nut, 3/8"-24 thread (replaces 63CL5319)	2	25	63CL5153	Long link pin	3
11	PE5	Lock washer, 3/8" (replaces 63PT353)	1	26	63CL5092	Cotter pin, 1/16" x 3/8"	6
12	63CL5210-1	Clutch housing	1	27	63UCL4-5145	Release sleeve assembly (includes 28-31)	1
13	PE46	Lock washer, 5/16"	1	28	63CL5145	Release sleeve	1
14	XD14-2	Screw, 5/16"-18 thread x 5/8" long	1	29	63UCL65144	Release bearing assembly (includes 29 and 30; includes release bearing)	1
15	63CL5211	Screw lock	1	30	63CL7356	Elastic stop nut, 5/16"-24 thread	2
				31	63CL33351	Screw, 5/16"-24 thread x 1-3/4" long	2

WC302G Power Take-Off Assembly

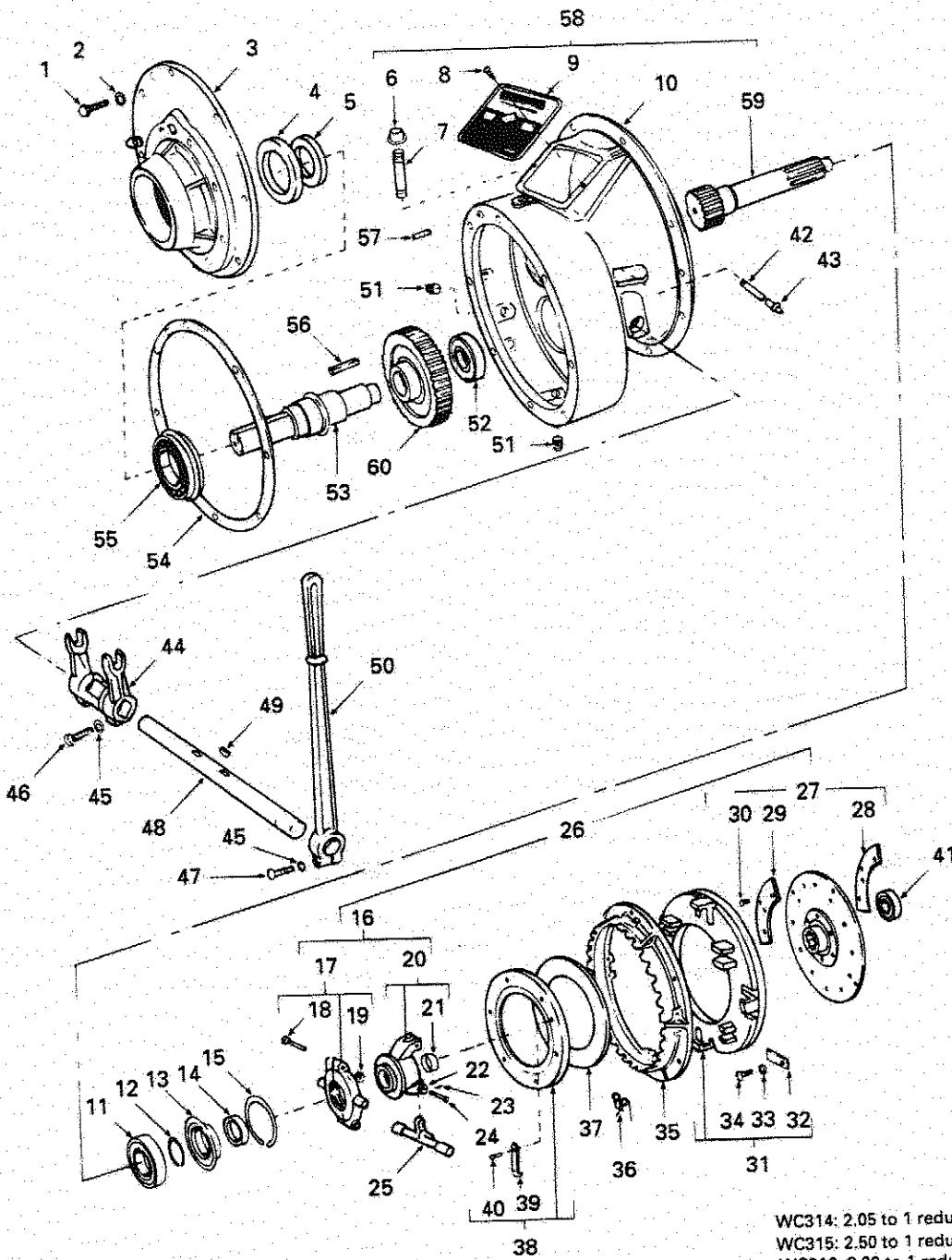


WC302G Power Take-Off Assembly

USE WITH MODEL VG4D (see pg. 19)

ITEM	PART NO.	DESCRIPTION	QTY	ITEM	PART NO.	DESCRIPTION	QTY
1	63PT347	Instruction plate screw, 1/4"-20 thread x 3/8" long2	2	22	63CL4491-43	Facing (replaces CL1419) 1	1
2	63PT1593	Instruction plate 1	1	23	63CL4491-43	Facing (replaces CL1418) 1	1
3	63PT969-28	Housing, no. 5 S.A.E. (replaces PT969) 1	1	24	ME147	Pilot bearing, PTA5871, Rockford no. 63GR921 1	1
4	63PT360	Grease fitting 1	1	—	ME190	Pilot bearing, PTA5822, Rockford no. 63PT395 1	1
—	63PT989	Pipe plug, 1/8" 1	1	25	63UCL2348-1	Pressure plate assembly (includes 26-28) 1	1
5	63UPT684-3	Drive shaft (includes item 7; replaces PT684) 1	1	26	63CL3352	Cam block 4	4
6	ME195	Shaft bearing (63PT972) 1	1	27	63CL3468	Lock washer, 1/4" 4	4
7	63PT807	Bearing shaft snap ring 1	1	28	63CL3917	Screw, 1/4"-20 thread x 3/8" long 4	4
8	63PT938	Bearing housing snap ring 1	1	29	63CL2346	Back plate 1	1
9	63UCL1-3444A	Sleeve and bearing assembly (includes 10-14) 1	1	30	63CL2326	Return spring 4	4
10	63UCL2-3091	Release bearing assembly (includes 11 and 12) 1	1	31	63CL3448	Adjusting ring plate 1	1
11	63CL3443-1	Screw, 5/16"-24 thread x 1-5/8" long 2	2	32	63UCL8681-1	Adjusting ring assembly (includes 33 and 34) 1	1
12	63CL7356	Elastic stop nut, 5/16"-24 thread 2	2	33	63CL3154-1	Adjustment lock 1	1
13	63UCL3444	Sleeve assembly (includes item 14) 1	1	34	63CL2452	Lock pin 1	1
14	63CL3089	Bushing 2	2	35	63PT604	Clamp screw, 3/8"-16 thread x 1-1/2" long ... 1	1
15	63UCLA602346	Complete clutch assembly (includes 16-23; driven member not included; replaces 63CLA1640A) 1	1	36	63PT353	Lock washer, 3/8" 1	1
16	63CL4701	Washer, 3/16" 2	2	37	63PT200	Shifter shaft 1	1
17	63CL487	Cotter pin, 3/32" x 1/2" long ... 2	2	38	63PT351	No. 5 woodruff key 2	2
18	63CL2355	Lever pin 2	2	39	63UPT769	Shifter lever assembly 1	1
19	63UCL4281	Camshaft assembly 2	2	40	63PT639	Pipe nipple 1	1
20	63UCL7-1191-3	Driven member assembly (includes 21-23) 1	1	41	63PT355	Alemite fitting, no. 1618 1	1
21	63CL1011	Tubular rivet 12	12	—	63CL5452	Oil fitting 2	2
				—	63PT770	Gasket 1	1
				42	63PT352	Clamp screw, 3/8"-16 thread x 1-1/4" long ... 2	2
				43	63PT353	Lock washer, 3/8" 2	2
				44	63UPT199	Shifter yoke assembly 1	1
				45	63PT668	Alemite fitting, no. 1930 1	1

WC314, WC315, WC316 Reduction Unit Assemblies



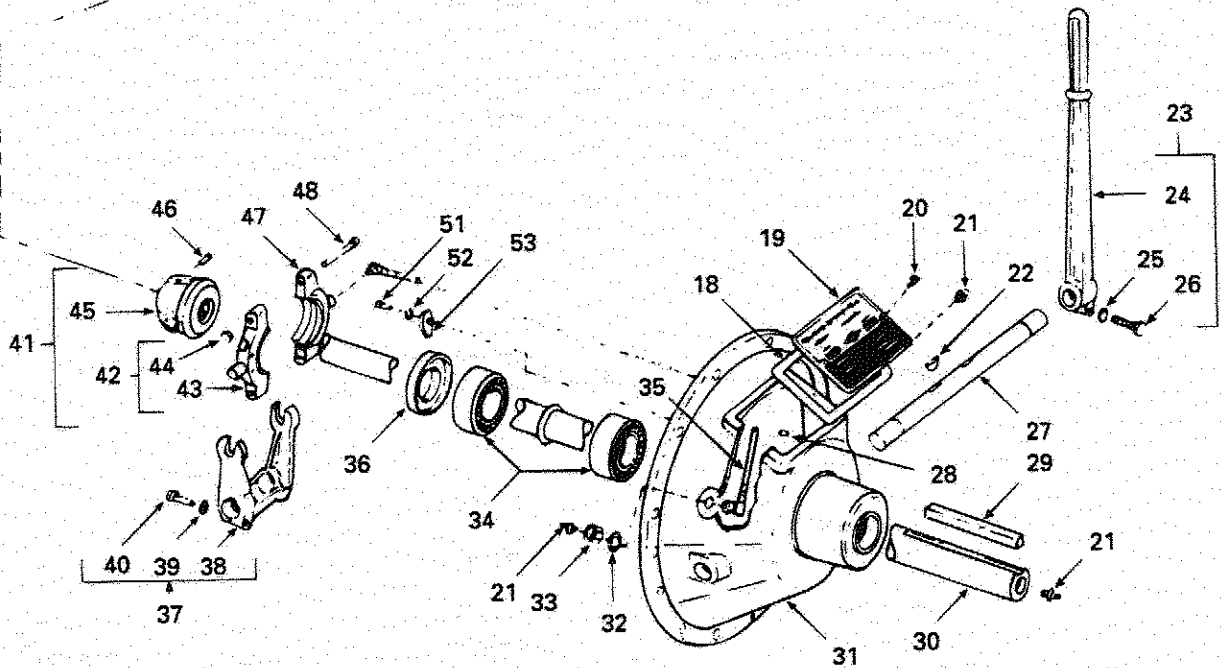
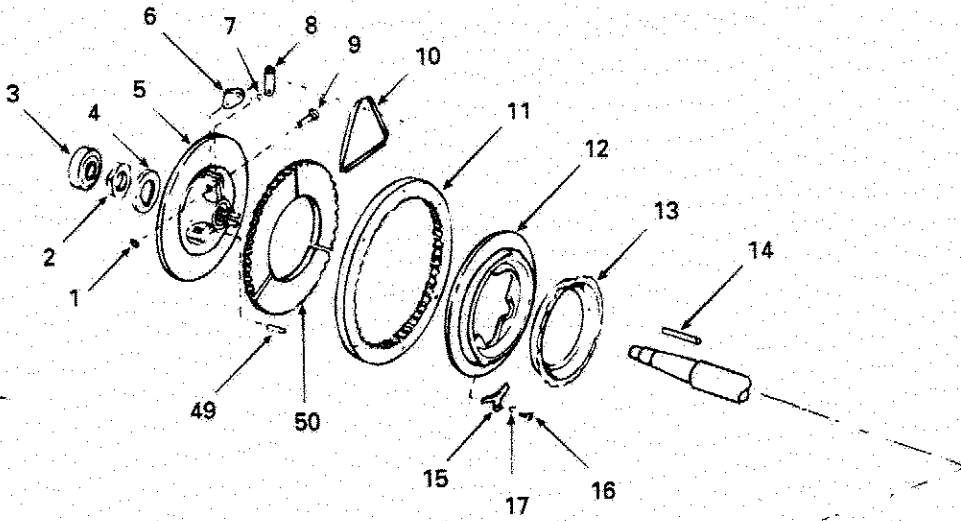
WC314: 2.05 to 1 reduction ratio;
 WC315: 2.50 to 1 reduction ratio;
 WC316: 3.90 to 1 reduction ratio

**WC314, WC315, WC316 Reduction Unit Assemblies
(Rockford no. GRA586, GRA589, GRA584)**

USE WITH MODEL VG4D (see pg. 21)

ITEM	PART NO.	DESCRIPTION	QTY	ITEM	PART NO.	DESCRIPTION	QTY
1	63PT469	Screw, 3/8"-16 thread x 1" long	8	33	63CL3468	Lock washer, 1/4"	4
2	63PT353	Lock washer, 3/8"	8	34	63CL3917	Screw, 1/4"-20 thread x 3/8" long	4
3	63GR101	Housing cover	1	35	63CL2346	Back plate	1
4	63GR105	Seal retainer	1	36	63CL2326	Return spring	4
5	63GR119	Oil seal	1	37	63CL3448	Adjusting ring plate	1
6	63GR236	Pipe cap, 3/8"	1	38	63UCL8681-1	Adjusting ring assembly (includes 39 and 40)	1
7	63GR753	Pipe nipple, 3/8"	1	39	63CL31541	Adjustment lock	1
8	63PT347	Instruction plate screw, 1/4"-20 thread x 3/8" long	2	40	63CL3452	Lock pin	1
9	63PT1593	Instruction plate	1	41	ME190	Pilot bearing (63PT395)	1
10	63GR100	Housing, no. 5 S.A.E.	1	42	63PT639	Pipe nipple	1
11	ME194	Drive shaft bearing (63PT888)	1	43	63PT355	Alemite fitting, no. 1618	1
12	63PT189	Snap ring	1	44	63UPT199	Shifter yoke assembly	1
13	63GR123	Seal retainer	1	45	63PT353	Lock washer, 3/8"	1
14	63GR118	Oil seal, Perfect no. 20018	1	46	63PT352	Clamp screw, 3/8"-16 thread x 1-1/4" long ...	1
15	63PT192	Snap ring	1	47	63PT604	Clamp screw, 3/8"-16 thread x 1-1/2"	1
16	63UCL1-3444A	Sleeve and bearing assembly (includes 17-21; replaces 63UCL3444A)	1	48	63PT200	Shifter shaft	1
17	63UCL2-3091	Release bearing assembly (includes 18 and 19; replaces 63UCL1-3091)	1	49	63PT351	No. 15 Woodruff key	2
18	63CL34431	Screw, 5/16"-24 thread x 1-5/8" long	2	50	63UPT769	Shifter lever assembly	1
19	63CL7356	Elastic stop nut, 5/16"-24 thread	2	51	63GR117	Pipe plug, 3/8"	3
20	63UCL3444	Sleeve assembly (includes item 21)	1	52	ME198	Take-off shaft bearing (63GR121)	1
21	63CL3089	Bushing	2	53	63GR104	Take-off shaft	1
22	63CL4701	Washer	2	54	63GR111	Housing cover gasket	1
23	63CL487	Cotter pin, 3/32" x 1/2" long ...	2	55	ME197	Take-off shaft bearing (63GR120)	1
24	63CL2355	Lever pin	2	56	63GR106	Driven gear key	1
25	63UCL4281	Camshaft assembly	2	57	63GR114	Dowel pin, 3/8" x 1" long	1
26	63CLA1640A	Complete clutch assembly (includes 16-25, 27-40)	1	58	63GRA5M6	Rockford housing assembly, GRA586 (includes 1-15, 41-60)	
27	63UCL7-1191-3	Driven member assembly (includes 28-30; includes oil deflector)	1	—	63GRA5M7	Housing assembly, GRA589	
28	63CL449143	Facing (replaces CL1418)	1	—	63GRA5M4	Housing assembly, GRA584	
29	63CL449143	Facing (replaces CL1419)	1	59	64GR103	Rockford drive shaft and gear, 21 teeth, GRA586	
30	63CL1011	Tubular rivet	1	—	63GR122	Drive shaft and gear, 18 teeth, GRA589	
31	63UCL2348-1	Pressure plate assembly (includes 32-34)	1	—	63GR109	Drive shaft and gear, 13 teeth, GRA584	
32	63CL3352	Cam block	4	60	63GR102	Rockford driven gear, 43 teeth, GRA586	
				—	63GR108	Driven gear, 46 teeth, GRA589	
				—	63GR110	Driven gear, 51 teeth, GRA584	

WC328C Power Take-Off Assembly (Replaces WC328A)



WC328C Power Take-Off Assembly (Replaces WC328A)

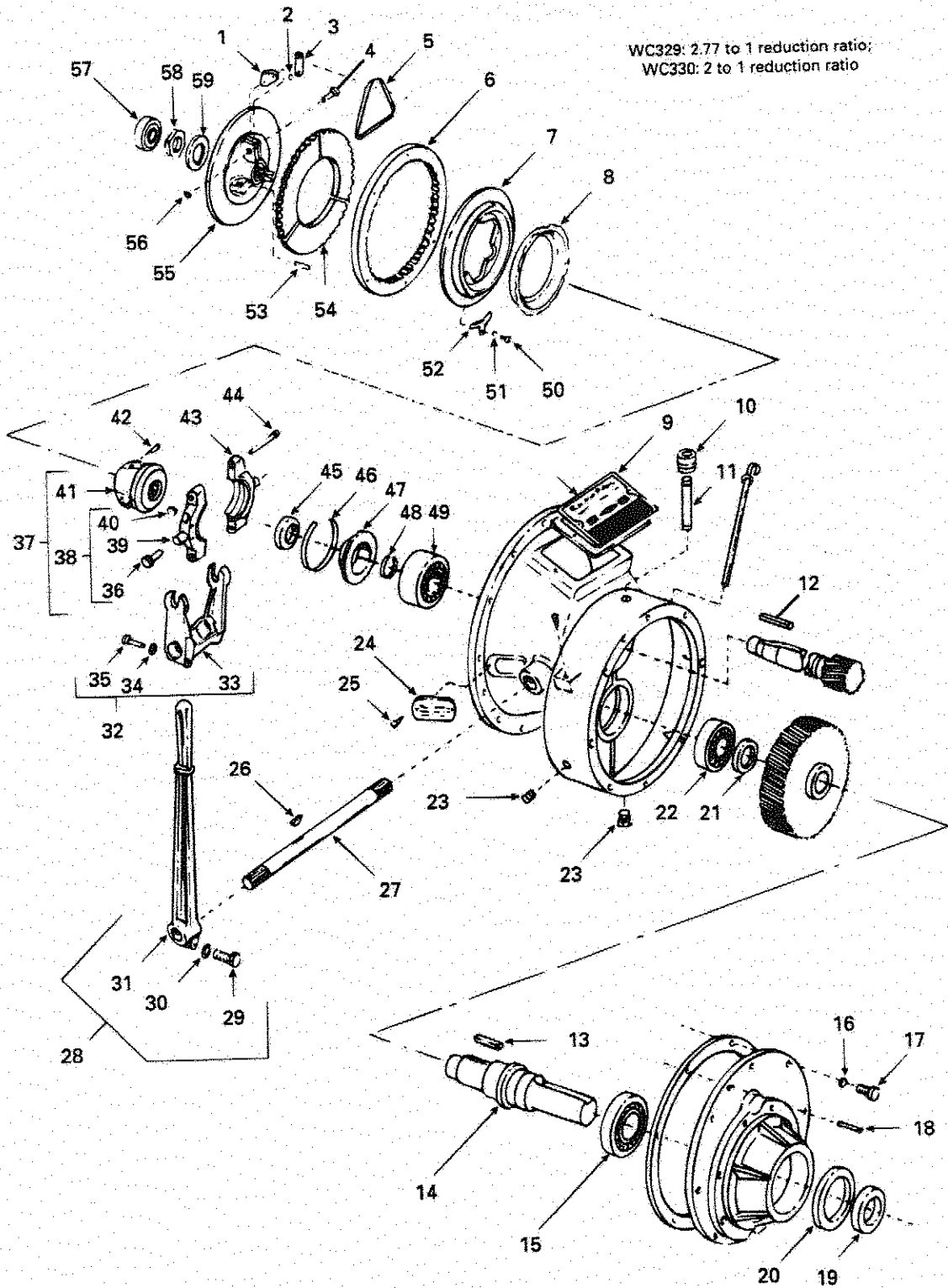
USE WITH MODEL V465D (see pg. 23)

ITEM	PART NO.	DESCRIPTION	QTY	ITEM	PART NO.	DESCRIPTION	QTY
1	63CL7107	Retaining ring	3	28	63PT744	Set screw, 5/16"-18 thread x 1/4" long	1
2	63PT706	Clutch body nut	1	29	63PT1001	Key, 1/2" x 1/2" x 4-7/8"	1
3	ME203	Sealed pilot bearing, PTA4856	1	30	63PT1068	Drive shaft	1
—	ME192	Sealed pilot bearing, PTA4819	1	31	63PT300-30	Housing, no. 4 S.A.E. (PTA4856)	1
4	63PT718-1	Lock washer	1	—	63PT300-19	Housing (PTA48A4819)	1
—	63CLA2175-35	Clutch assembly, 8" Model HE (includes 5, 12, 13, 15-17, 49, and 50)	1	32	63PT359	Lock washer	1
5	63CL8512-10	Clutch body	1	33	63CL4355	Jam nut, 5/8"-18 thread	1
6	63CL8556-1	Lever	3	34	ME188	Main bearing	2
7	63CL7130	Retaining ring	6	35	63PT1026-3	Grease tube assembly	1
8	63CL8557	Connecting link	6	36	63PT1059	Bearing retainer	1
9	63CL8484	Clevis pin	3	37	63UPT811	Clutch yoke assembly (Includes 38-40)	1
10	63CL9464	Lever spring set	1	38	* — — —	Clutch yoke	1
11	63CL6965	Driving ring	1	39	63PT353	Lock washer, 3/8"	2
12	63CL8513-1	Pressure plate	1	40	63PT352	Screw, 3/8"-16 thread x 1-1/4" long ...	2
13	63CL8515-1	Adjustment nut	1	41	63UCL4-8611-1	Release sleeve and bearing assembly (includes 42-48)	1
—	63CL11905	Adjustment nut plate	1	42	63UCL7-7392	Release bearing assembly (includes 43, 44, 47, and 48) ..	1
14	63PT808-1	Drive key	1	43	63CL8611-1	Release sleeve	1
15	63CL9216	Adjustment lock	1	44	63CL7356	Elastic stop nut, 5/16"-24 thread	2
16	63CL8807-1	Adjustment lock screw	1	45	* — — —	Bearing half	1
17	63CL3468	Lock washer	1	46	63CL8400	Clevis pin	6
18	63PT770	Instruction plate gasket	1	47	* — — —	Bearing half	1
19	63PT1593	Instruction plate	1	48	63CL3335-1	Screw, 5/16"-24 thread x 1-3/4" long .	2
20	63PT347	Screw, 1/4"-20 thread x 3/8" long	2	49	63CL8575	Separator spring	3
21	63PT1012	Grease fitting	2	50	63CL7039-1	Facing, Amco No. 796	1
—	63PT989	Pipe plug, 1/8"	1	51	63PT349	Screw, 5/16"-18 thread x 1/2" long	1
22	63PT351	No. 15 Woodruff key	2	52	63PT350	Lock washer, 5/16"	1
23	63UPT769	Shifter lever assembly (Includes 24-26)	1	53	63PT44	Lock plate	1
24	* — — —	Shifting lever	1				
25	63PT353	Lock washer, 3/8"	1				
26	63PT604	Screw, 3/8"-16 thread x 1-1/2" long ...	1				
27	63PT200	Yoke shaft	1				

* Not serviced separately.

WC329, WC330 Clutch Reduction Unit Assemblies

WC329: 2.77 to 1 reduction ratio;
WC330: 2 to 1 reduction ratio



**WC329, WC330 (Rockford no. GRA4812, GRA4813)
Clutch Reduction Unit Assemblies**

USE WITH MODEL V465D (Adaptable to WW165 Drive Hub and Housing Assembly) (see pg. 25)

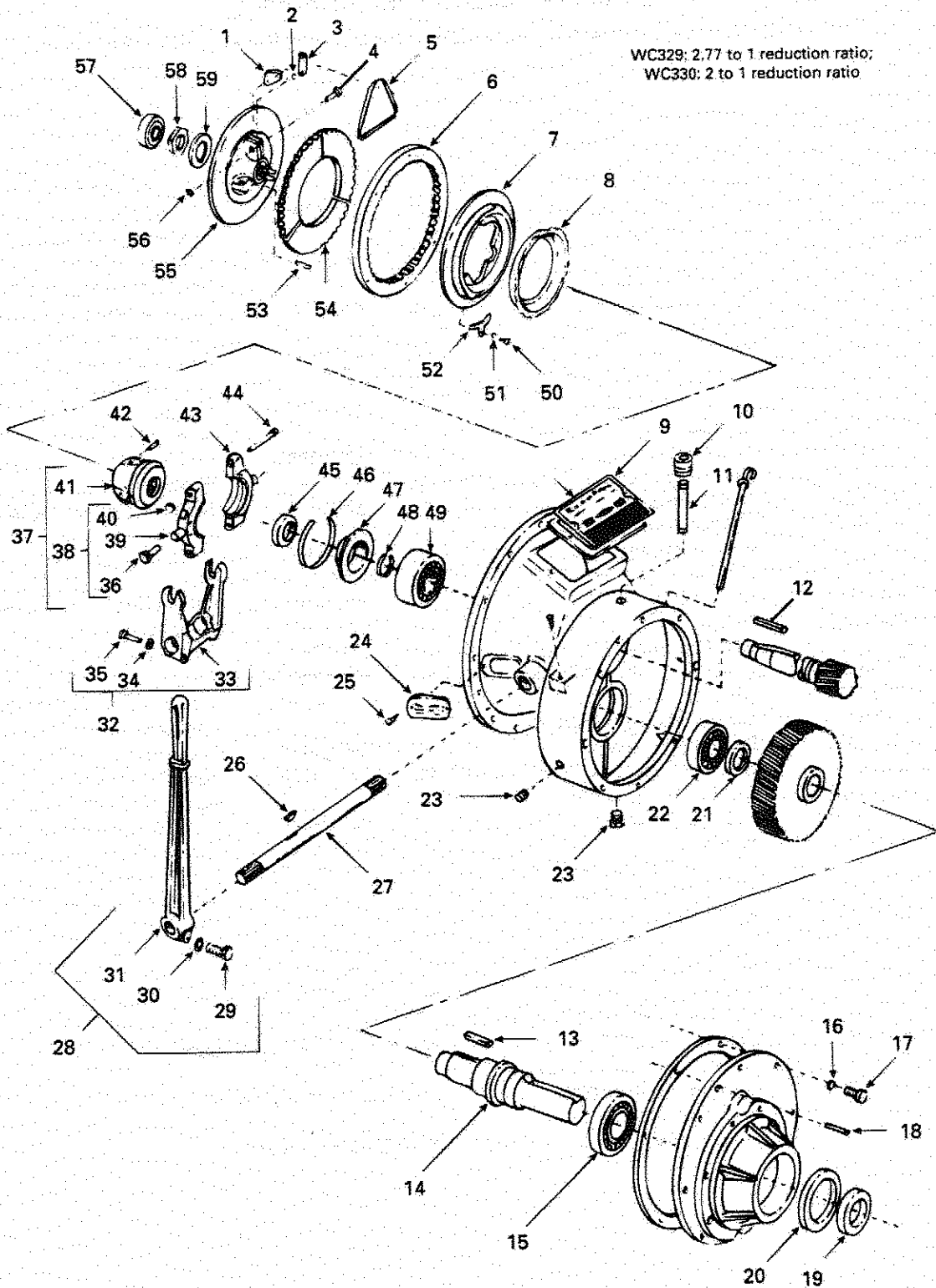
ITEM	PART NO.	DESCRIPTION	QTY	ITEM	PART NO.	DESCRIPTION	QTY
1	63CL8556-1	Lever	3	34	63PT353	Lock washer, 3/8"	2
2	63CL7130	Retaining ring	6	35	63PT352	Screw, 3/8"-16 thread x 1-1/2" long ...	2
3	63CL8557	Connecting link	6	36	63PT1060	Grease fitting, Lincoln no. 5007	1
4	63CL8484	Clevis pin	3	37	63UCL3-8611-1	Release sleeve and bearing assembly (includes 38-44)	1
5	63CL9464	Lever spring set	1	38	63UCL4-7392	Release bearing assembly (includes 39, 40, 43, 44)	1
6	63CL6965	Driving ring	1	39	63CL8611-1	Release sleeve	1
7	63CL8513-1	Pressure plate	1	40	* — — —	Bearing half	1
8	63CL8515-1	Adjustment nut	1	41	63CL7356	Elastic stop nut, 5/16"-24 thread	2
—	63CL11905	Adjustment nut plate	1	42	63CL8400	Clevis pin	6
9	63PT347	Screw, 1/4"-20 thread x 3/8" long	2	43	* — — —	Bearing half	1
10	63GR236	Oil filler pipe cap	1	44	63CL3335-1	Screw, 5/16" -24 thread x 1-3/4" long	2
11	63GR753	Oil filler, 3/8" pipe nipple	1	45	63GR758	Drive shaft oil seal	1
12	63PT808-1	Drive key	1	46	63GR243	Bearing snap ring	1
13	63GR106	Driven gear key	1	47	63GR855	Drive shaft seal retainer	1
14	63GR854	Output shaft	1	48	63PT189	Snap ring	1
—	63GR230	Output shaft key (not illustrated)	1	49	63PT1593	Instruction plate	1
15	ME199	Bearing (replaces GR762)	1	50	63CL8807-1	Screw, 1/4"-20 thread x 3/8" long (replaces CL39171)	1
16	63PT353	Lock washer, 3/8"	8	51	63CL3468	Lock washer, 1/4"	1
17	63PT469	Screw, 3/8"-16 thread x 1" long	8	52	63CL9216	Adjustment lock (replaces CL8516)	1
18	63GR114	Dowel pin, 3/8" x 1" long	1	53	63CL8575	Separator spring	3
19	63GR232-2	Oil seal	1	54	63CL7039-1	Facing, Amco No. 796	1
20	63GR105	Output shaft seal retainer	1	—	63CLA2175-7A	Clutch assembly, 8" Model HE (Includes 7, 8, 38, 39, 40, 41, 44, 51-56)	1
21	63GR877	Driven gear washer	1	55	63CL8512-10	Clutch body	1
22	ME201	Bearing (replaces GR857)	1	56	63CL7107	Retaining ring	3
23	63GR117	Oil drain plug, 3/8" P.T.	1	57	63GR882	Pilot bearing (replaces ME202)	1
24	63PT819	Lubrication cover	1	58	63PT706	Clutch body nut	1
25	63PT576	Screw, no. 10-24 thread x 3/8" long ..	1				
26	63PT351	No. 15 Woodruff key	2				
27	63PT200	Yoke shaft	1				
28	63UPT769	Shifter lever assembly (includes 29-31)	1				
29	63PT604	Screw, 3/8"-16 thread x 1-1/2" long ...	1				
30	63PT353	Lock washer, 3/8"	1				
31	* — — —	Shifter lever	1				
32	63UPT811	Clutch yoke assembly (includes 33-35)	1				
33	* — — —	Clutch yoke	1				

* Not serviced separately.

(Continued on pg. 28)

WC329, WC330 Clutch Reduction Unit Assemblies

WC329: 2.77 to 1 reduction ratio;
WC330: 2 to 1 reduction ratio



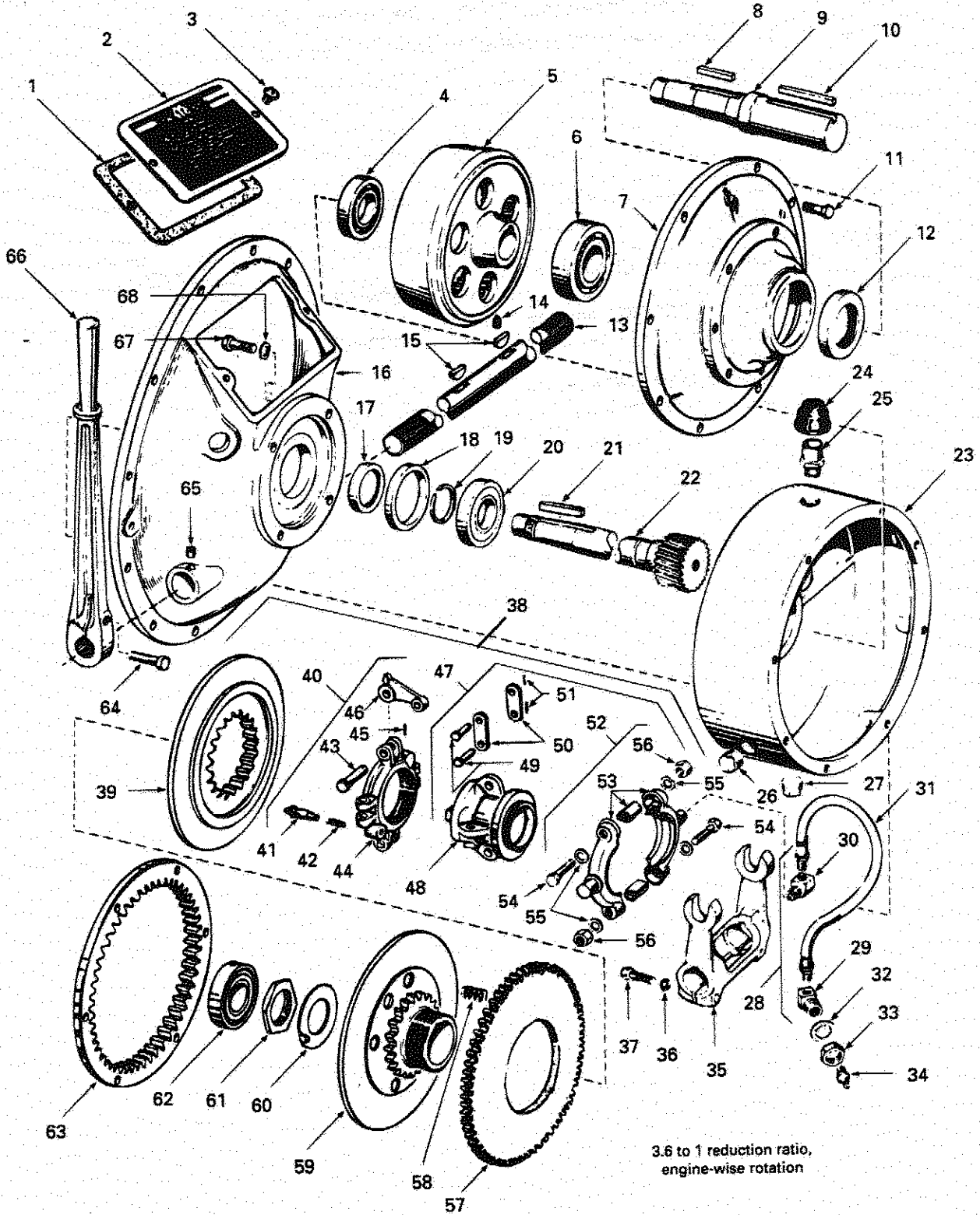
**WC329, WC330 (Rockford no. GRA4812, GRA4813)
Clutch Reduction Unit Assemblies, Cont.**

USE WITH MODEL V465D (Adaptable to WW165 Drive Hub and Housing Assembly) (see pg. 27)

ITEM	PART NO.	DESCRIPTION	QTY	ITEM	PART NO.	DESCRIPTION	QTY
59	63PT718-1	Lock washer	1	62	63GR111	Cover gasket	
—	GRA4M12	Rockford assembly, without clutch, GRA4812 (includes 9-36; 45-49; 57-65)	1	63	63GR852-1	Drive gear and shaft, 18 teeth, GRA4812	1
—	GRA4M13	Rockford assembly, without clutch, GRA4813	1	—	63GR852-2	Drive gear and shaft, 23 teeth, GRA4813	1
60	* GR851	Housing (order 63UGR1-851 housing and cover assembly)	1	64	ME200	Drive shaft bearing (replaces GR856)	1
61	* GR101-3	Cover (order 63UGR1-851 housing and cover assembly)	1	65	63GR853	Driven gear, 50 teeth, GRA4812	1
				—	63GR853-2	Driven gear, 46 teeth, GRA4813	1

* Not serviced separately.

WC360 Twin Disc Clutch Reduction Unit Assembly



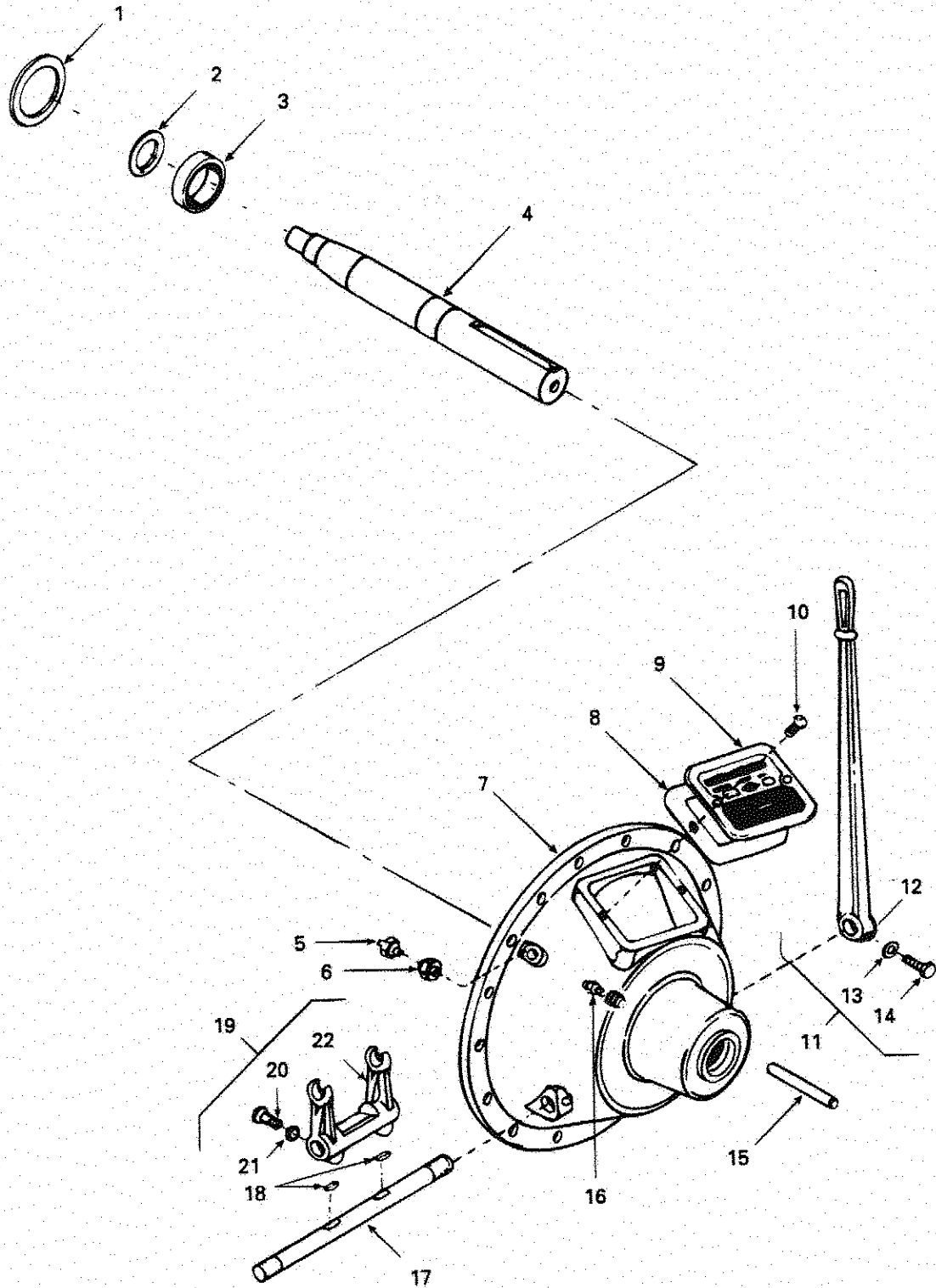
WC360 (Twin Disc no. C108E3.6RG4) Clutch Reduction Unit Assembly

USE WITH MODEL V465D (Adaptable to WW165 Drive Hub and Housing Assembly) (see pg. 29)

ITEM	PART NO.	DESCRIPTION	QTY	ITEM	PART NO.	DESCRIPTION	QTY
1	78A1339	Specification plate gasket	1	38	78XA5079	Clutch assembly, C108	1
2	78-1965R	Specification plate	1	39	78A3169	Floating plate	1
4	78M166	Ball bearing	1	40	78A60	Adjusting yoke	1
5	78A5001	Internal gear	1	41	78-2245	Adjusting lock pin	1
6	78M178	Ball bearing	1	42	78-115	Spring	1
7	78-8533	Cover plate	1	43	78B1538D	Finger lever pin (replaces B1621D)	4
8	78M2032AZ	Key, 3/8" x 3/8" x 1-5/8" long	1	44	78-1990	Adjusting yoke	1
9	78A3115	Counter shaft	1	45	78B1535C	Cotter pin (replaces M1927AD)	4
10	78M20331	Key, 1/2" x 1/2" x 2-7/8" long	1	46	78-103F	Finger lever	4
11	78M2002U	Screw, 3/8"-16 thread x 1" long	8	47	78S385	Sliding sleeve assembly	1
12	78M510	Oil seal	1	48	78-2137A	Sliding sleeve	1
13	78-2757	Operating shaft	1	49	78B1537D	Lever link pin (replaces B1527D)	8
14	78M2039J	Set screw 1/2"-13 thread x 3/4" long	1	50	78-119B2	Lever link	8
15	78M2022Z	No. 15 Woodruff key	2	51	78B1535B	Cotter pin (replaces M1927AS)	8
16	78-7583	Clutch housing	1	52	78X117C8	Split collar assembly	1
17	78M105B	Oil seal	1	53	* 78-117C8	Split collar	1
18	78-2510	Spacer	1	54	78M2002BB	Screw, 3/8"-24 thread (replaces M2002AS)	2
19	78-2923	Snap ring	1	55	78-120C8	Shim	2
20	78M171	Ball bearing	1	56	78M1930F	Nut, 3/8"-24 thread	2
21	78M2032X	Key, 1/4" x 1/4" x 1-7/8" long	1	57	78-6479	Driving plate	1
22	78A3113	Clutch shaft	1	58	78-1473	Release spring	6
23	78-8531	Gear housing	1	59	78A3177	Hub- and back-plate	1
24	78M639B	Oil breather	1	60	78A1587	Lock washer	1
25	78-2830A	Oil breather pipe	1	61	78-2727	Hub nut	1
26	78M2051AD	Pipe plug, 3/4"	1	62	78M163	Pilot ball bearing	1
27	78M2051AD	Pipe plug, 3/4"	1	63	78-5805	Driving ring	1
28	78A1663	Flexible hose assembly	1	64	78M2004R	Screw, 1/2"-13 thread x 3/4" long	1
29	78M1283	Straight fitting	1	65	78M503	Operating shaft fitting (replaces M102)	2
30	78M1284	Fitting, 90°	1	66	78-3799	Hand lever	1
31	78M1292A	Flexible hose	1	67	78M2006H	Screw, 5/8"-11 thread x 1-1/2" long ...	4
32	78M2046AF	Lock washer, 5/8"	1	68	78M2046AF	Lock washer, 5/8"	4
33	78M2027AN	Jam nut, 5/8"-18 thread	1				
34	78M268	Hydraulic fitting, 1/8"	1				
35	78-1037	Throwout fork	1				
36	78M2046S	Lock washer, 3/8"	2				
37	78M2002AG	Screw, 3/8"-16 thread x 1-1/2" long ...	2				

* Not serviced separately.

WC402 Power Take-Off (Replaces WC302G)



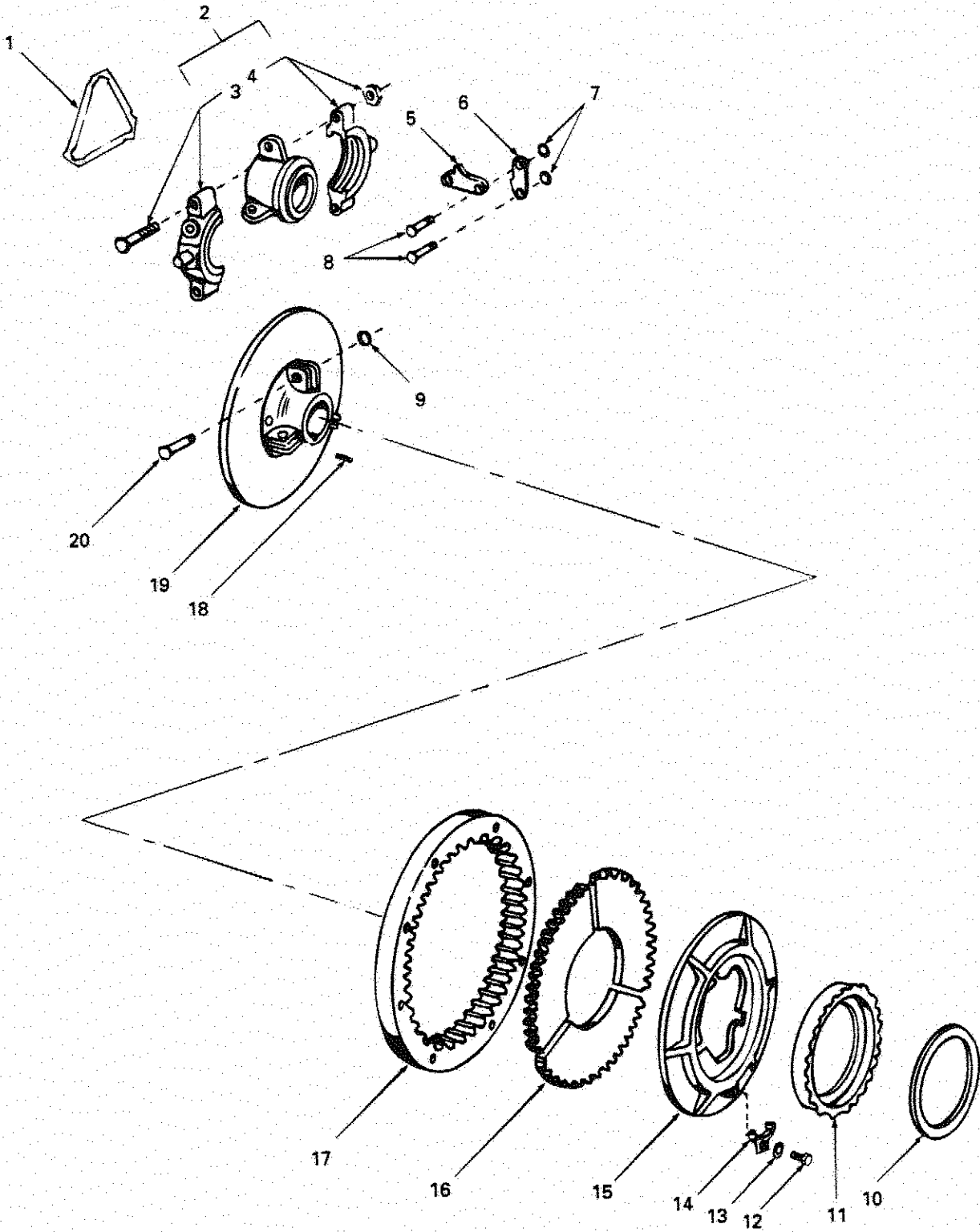
WC402 Power Take-Off (Replaces WC302G)

USE WITH MODELS TJPD, VH4D, VG4D (see pg. 31)

ITEM	PART NO.	DESCRIPTION	QTY	ITEM	PART NO.	DESCRIPTION	QTY
1	63PT938	Bearing retainer	1	13	* — — —	Washer	1
2	63PT807	Snapping external	1	14	* — — —	Screw	1
3	63PT972	Ball bearing	1	15	63PT1069	Drive key output	1
4	63PT1003-1	Clutch shaft	1	16	63PT360	Fitting (1/8 to bearing)	1
5	63PT1026-3	Grease	1	17	63PT200	Yoke shaft	1
6	63CL4355	Grease nose jam nut	1	18	63PT351	Woodruff key	2
7	63PT300-31	Main housing	1	19	63UPT811	Yoke assembly (includes 20-22)	1
8	63PT770	Nameplate gasket	1	20	* — — —	Screw	1
9	63PT1593-2	Nameplate	1	21	* — — —	Washer	1
10	63PT347	Screw, 1/4" x 3/8" long	2	22	* — — —	Yoke	1
11	63UPT769	Handle assembly (includes 12-14)	1				
12	* — — —	Yoke	1				

* Not serviced separately.

WC402 Power Take-Off (Clutch Components)



WC402 Power Take-Off (Clutch Components)

USE WITH MODELS TJPD, VH4D, VG4D (see pg. 33)

ITEM	PART NO.	DESCRIPTION	QTY	ITEM	PART NO.	DESCRIPTION	QTY
—	63CLA2175-35	Complete clutch	1	11	63CL8515-1	Adjusting ring	1
1	63CL9464	Lever spring	1	12	63CL8807-1	Lock bolt	3
2	63UCL4-8611-1	Sleeve and bearing assembly (includes 3 and 4)	1	13	63CL3468	Lock washer	1
3	* — — —	Bolt	1	14	63CL9216	Adjustment lock	1
4	* — — —	Nut	1	15	63CL8513-1	Pressure plate	1
5	63CL8556-1	Lever	3	16	63CL7039-1	Facing disc	1
6	63CL8557	Link	6	17	63CL6965	Drive ring	1
7	63CL7130	Retaining ring	6	18	63CL8575	Separator spring	3
8	63CL8400	Clevis pin	6	19	63CL8512-10	Clutch body	1
9	63CL7107	Retaining ring	3	20	63CL8484	Clevis pin	3
10	63CL1190-5	Wear plate	1				

* Not serviced separately.