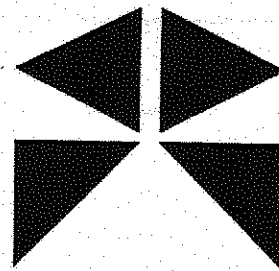


**CONTINENTAL  
MODEL TM20**

---

**ILLUSTRATED  
PARTS  
CATALOG**



 **WIS-CON  
TOTAL POWER CORP.**

---

## SERVICE FACILITIES

WIS-CON TOTAL POWER Distributors and Service Centers, located throughout the U.S. and foreign countries, have been carefully selected to insure complete and efficient repair and inspection service to owners of WIS-CON TOTAL POWER Engines. These service centers, equipped and staffed for complete engine repair, also stock engine parts to facilitate immediate delivery for the complete line of WIS-CON TOTAL POWER Engines.

Order parts from the WIS-CON TOTAL POWER Distributor or Service Center in your locality. Refer to the Yellow Pages of the Telephone Directory under ENGINES, or write to WIS-CON TOTAL POWER for a free copy of a list of authorized Distributors and Service Centers. Do not order parts from WIS-CON TOTAL POWER in Memphis, TN.

The MODEL, SPECIFICATION and SERIAL NUMBER of your engine must be given when ordering parts. The MODEL and SPECIFICATION number are on the name plate. The SERIAL NUMBER is stamped either on the crankcase or the engine's identification tag.

Copy the MODEL, SPECIFICATION and SERIAL NUMBER in the spaces provided below so that it will be available when ordering parts.

MODEL

SPECIFICATION

SERIAL NUMBER

To insure prompt and accurate service, the following information must also be given:

1. State EXACTLY the quantity of each part and part number.
2. State definitely whether parts are to be shipped by express, freight or parcel post.
3. State exact mailing address.

## INTRODUCTION

This catalog is designed to identify Continental parts.

When ordering parts, it is always advisable to list the engine model, specification number and serial number. With this information, we can check your order for any incorrect part numbers.

Use your "Customer Specification" to insure proper part number and nomenclature identification.

WIS-CON TOTAL POWER reserves the right to modify, alter and improve engines and parts. Part numbers and the structure of parts may change from those shown in this catalog.

### Table of Contents

Engine Service Kits, Engine Service Information .....	2
Crankcase, Bearing Caps and Oil Filter .....	3-4
Cylinder Head, Cover and Valves .....	5-6
Camshaft, Rocker Arm and Governor .....	7-8
Crankshaft and Pulley .....	9-10
Piston and Connecting Rods .....	11-12
Oil Pump .....	13-14
Gear Cover .....	15-16
Flywheel, Housing and Starter .....	17-18
Intake and Exhaust .....	19-20
Water Pump Assembly .....	21-22
Water Header and Thermostat .....	23-24
Distributor, Coil and Fuel Pump .....	25-26
Carburetor, Control Rod and Governor Related Items .....	27-28
Alternator and PCV System .....	29-30
Engine Service Kits Components .....	37
<b><u>Accessories Section:</u></b>	
Distributor .....	33-34
Starter .....	35-36

## ENGINE SERVICE KITS

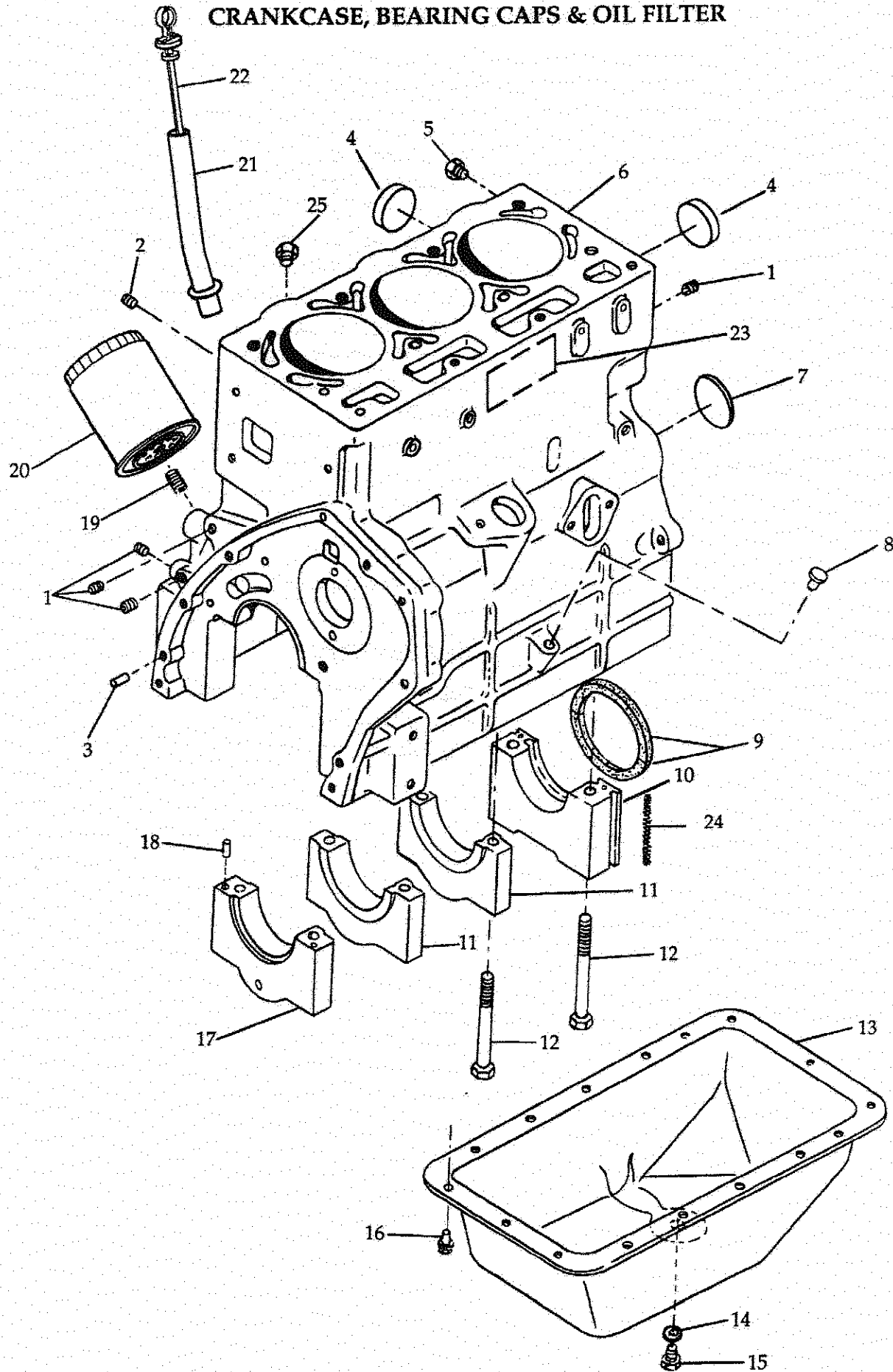
KIT NUMBER	DESCRIPTION
F400T00421 <sup>a</sup>	Fuel Pump Kit
<del>TMD20U01004</del> <sup>a</sup> TMD20U01005	Gasket Set, Top End
<del>TM20T00101</del> TM20T00106	Bearing Kit, Crankshaft (engine set)
TM20T00102	Bearing Set, Connecting Rod (single rod)
<del>TM27A05001E</del> TM27A05142 E	Piston, Pin & Retaining Rings
TM27T00107 <sup>a</sup>	Kit, Oil Pan Gasket & Rear Bearing Sealing
TM27T00120	Ring Set (single piston)
TM27T01001 <sup>a</sup>	Water Pump Repair Kit
TM27U02003 <sup>a</sup>	Gasket Set, Front End
NOT AVAILABLE	Cam Bushing

NOTE: <sup>a</sup> See Page #37 for Components

## ENGINE SERVICE INFORMATION

PART NUMBER	DESCRIPTION
TTP00065	Repair Manual & Operators Guide
X10062	Wiring Diagram
TTP00086	Handbook, Preventive Maintenance

# CRANKCASE, BEARING CAPS & OIL FILTER



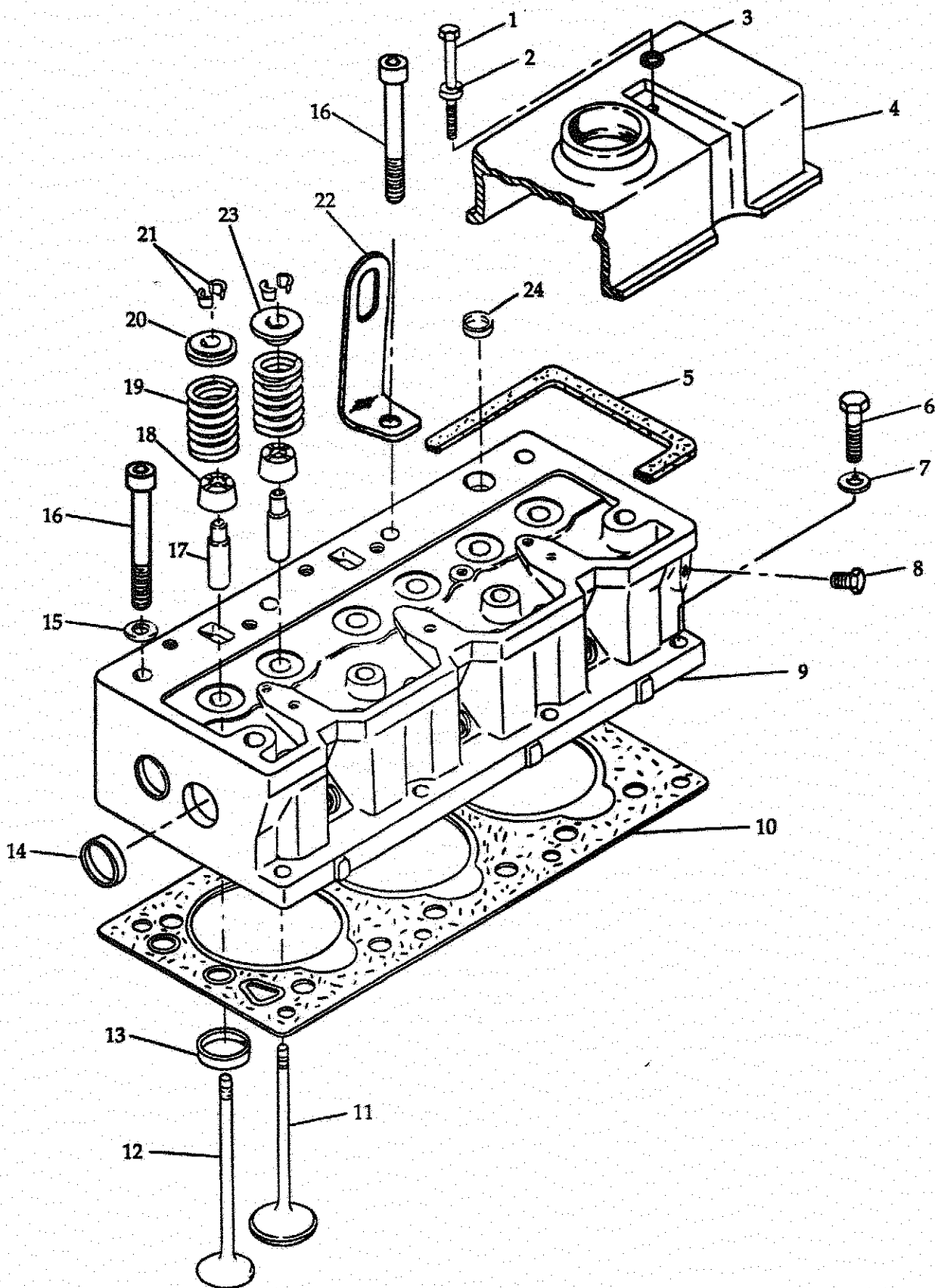
## CRANKCASE, BEARING CAPS & OIL FILTER

ITEM	PART NO.	DESCRIPTION	QTY
1	26XX00137A	Plug, crankcase (1/4" pipe) .....	4
2	26XX00110	Plug, crankcase (3/8" pipe) .....	1
3	X17025	Dowel, pin, gear cover to crankcase .....	2
4	X13304	Plug, cup, crankcase right side & rear .....	4
5	26XX26129	Plug, crankcase, right side rear (1/8" pipe) .....	1
6	<sup>a,c</sup> TM20A600601R	Short block (Service "R" Assembly) .....	1
—	<sup>b,c</sup> TM20A600801S	Long block (Service "S" Assembly) .....	1
7	X02208	Plug, expansion, at rear cam bearing .....	1
8	X07663	Plug, crankcase, oil gauge rod hole .....	1
9	<sup>d</sup> TM27L00513	Seal, crankshaft, rear oil .....	2
10	TM27B00500	Cap & filler block, rear bearing .....	1
11	TM27B00401	Cap, crankshaft bearing, intermediate .....	2
12	XM32018	Screw, bearing cap to crankcase .....	8
13	TM20B05021	Pan Assembly, oil (includes items 14 & 15) .....	1
14	X14583	Washer, oil pan drain plug .....	1
15	F400B00282	Plug, oil pan drain .....	1
16	XM32077	Screw & washer, oil pan to crankcase .....	16
17	TM27B00400	Cap, crankshaft, front bearing .....	1
18	TM27B00322	Dowel - bushing, bearing cap, front & rear .....	4
19	TM27L00202	Adapter, oil filter .....	1
20	<del>20110001</del>	Filter Assembly — oil ..... <b>F600L03750</b> .....	1
21	TM27L00311	Tube, oil filler .....	1
22	TM27L00426	Rod & cap, oil gauge .....	1
23	<sup>e</sup> ———	Nameplate (normal location) .....	1
24	<sup>f</sup> X07840	Insert curing, rear brg cap-side .....	2
25	26XX26167	Plug-Hx Hd, crankcase (1/4") right side-vert gallery .....	1

**NOTE:**

- <sup>a</sup> Typically includes crankcase assembly, bearing caps, tappets, camshaft, main and rod bearings, crankshaft assembly, oil slinger — crankshaft, pistons, piston pins, piston rings, connecting rods, thrust plate, cam gear, crankshaft gear, cover-fuel pump hole, oil pump assembly w/ inlet tube assembly, lifting bracket, miscellaneous hardware and service gasket set.
- <sup>b</sup> Typically includes all items in short block service "R" assembly (Note <sup>a</sup>) plus cylinder head (includes valve train), rocker arm shaft assembly, push rods, cylinder head cover, oil filler cap, gear cover assembly, oil pan assembly and cam gear governor assembly.
- <sup>c</sup> Use the "R" & "S" assembly part numbers shown on your "Customer Specification" if different from part numbers listed here.
- <sup>d</sup> Included in Front End Gasket Set TM27U02003.
- <sup>e</sup> **Not** serviced separately.
- <sup>f</sup> Included in oil pan gasket rear bearing set TM27T00107.

# CYLINDER HEAD, COVER & VALVES



## CYLINDER HEAD, COVER & VALVES

ITEM	PART NO.	DESCRIPTION	QTY
1	XM32072	Screw, cylinder head cover to cylinder head .....	2
2	<sup>a</sup> X14596	Washer, plain, cylinder head cover to cylinder head .....	2
3	<sup>a</sup> XM39000	O-ring, cylinder head cover to cylinder head .....	2
4	TM20A00603	Cover, cylinder head .....	1
5	<sup>a</sup> TM20A00500	Gasket, cylinder head cover to cylinder head .....	1
6	XM32021	Screw, cylinder head to crankcase .....	4
7	X14141	Washer, plain, cylinder head to crankcase .....	4
8	26XX26129	Plug, left rear, oil gallery .....	1
9	<sup>b</sup> TM20A06014	Head, cylinder, service (includes items 11-14, 17-21, 23, 24 and Manifold Studs) .....	1
10	<sup>a</sup> TMD20A0051 <del>2</del> <sup>3</sup>	Gasket, cylinder head .....	1
11	TM27I00504	Valve, intake .....	3
12	TM27I00505	Valve, exhaust .....	3
13	<sup>d</sup> TM27A00400	Insert, exhaust valve seat .....	3
14	X02583	Plug, cup, front & rear .....	4
15	XM37003	Washer, cylinder head to crankcase .....	7
16	<sup>c</sup> XM32134	Screw, socket head, cylinder head to crankcase .....	8
17	TM27I00316	Guide, valve stem, intake & exhaust .....	6
18	TM27I00311	Guard, valve stem oil, intake & exhaust .....	6
19	TM27I00309	Spring, valve, intake & exhaust .....	6
20	TM27I00308	Roto coil, exhaust valve .....	3
21	CVT03234	Lock, valve spring retainer .....	12
22	<sup>c</sup> TM27Z00402	Bracket, lifting, cylinder head #2 to crankcase .....	1
23	TM27I00300	Retainer, valve spring, intake .....	3
24	X07689	Plug, cylinder head .....	1
—	X06226	Label — fan warning (top of cylinder head cover) .....	1

**NOTE:** <sup>a</sup> Included in Top End Gasket Set TM20U01004.

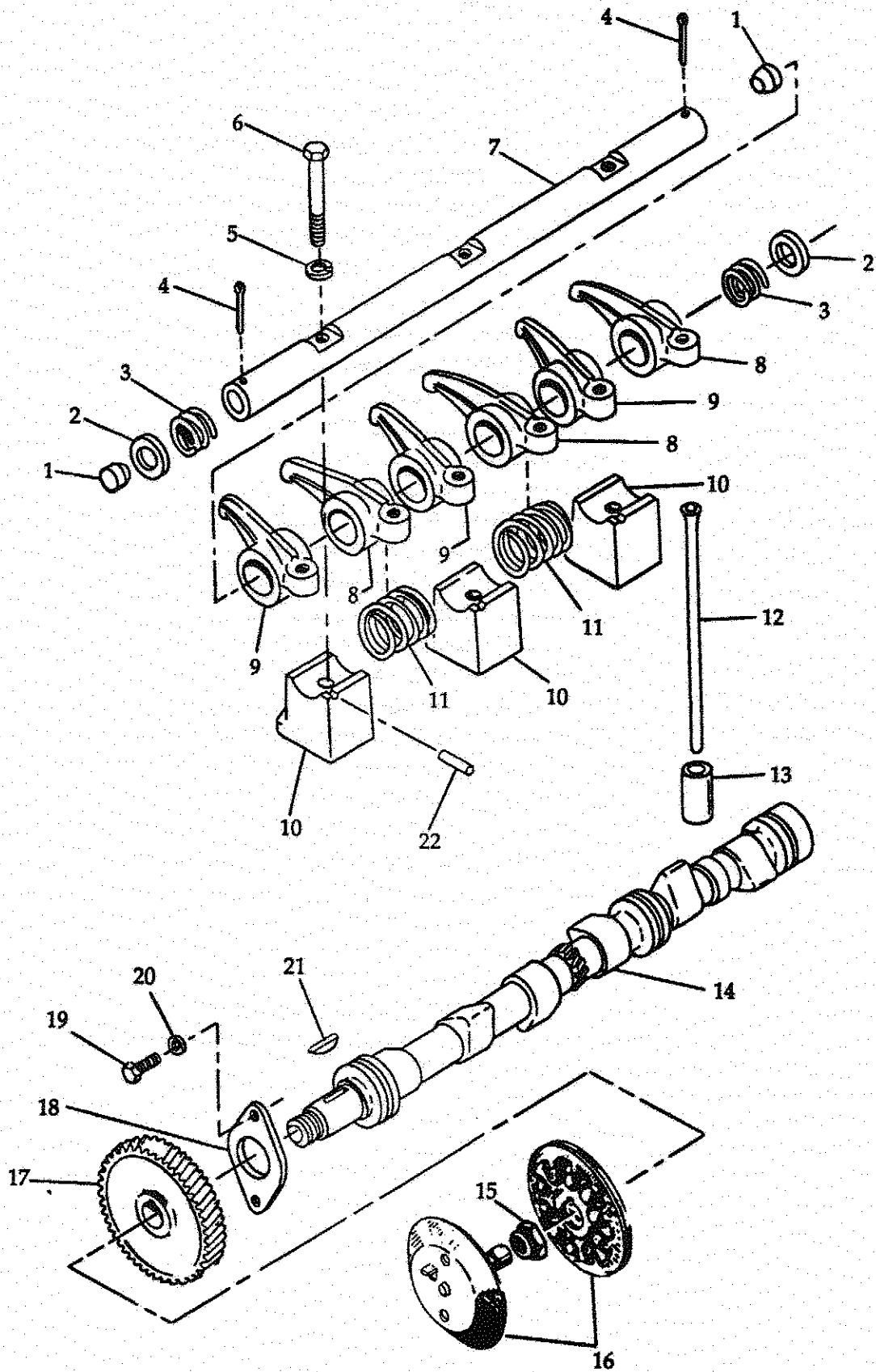
<sup>b</sup> Service head assembly contains "stellite" exhaust valves (TM27I00509).

<sup>c</sup> On older model engines, see Service Bulletin #90-391, 90-403 & Newsletter C89-15 concerning lifting bracket & head bolt changes & torques.

<sup>d</sup> Serviced in .025 oversize.



# CAMSHAFT, ROCKER ARM AND GOVERNOR

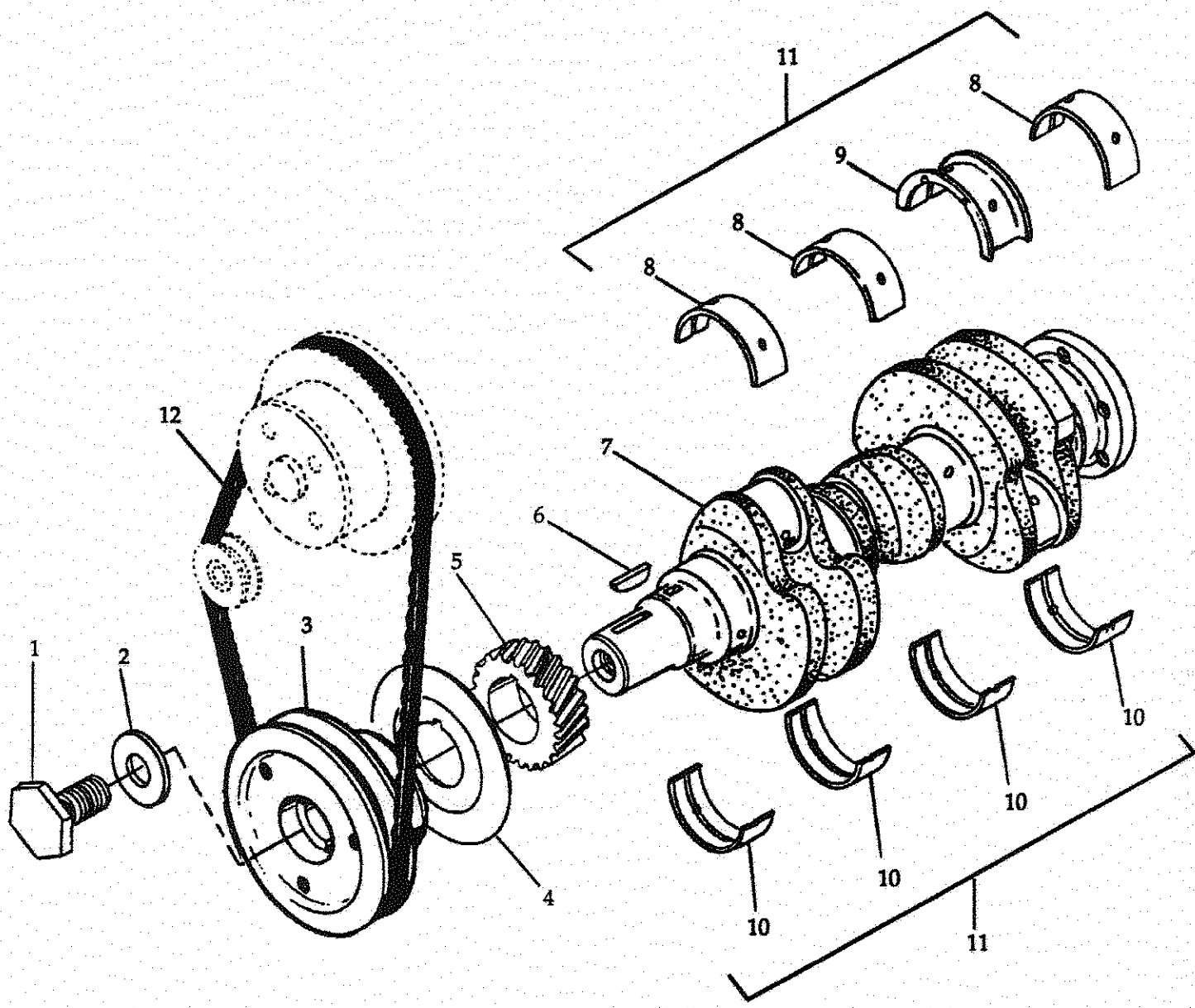


## CAMSHAFT, ROCKER ARM AND GOVERNOR

ITEM	PART NO.	DESCRIPTION	QTY
1	X07815	Plug, rocker arm shaft ends .....	2
2	X14589	Washer, plain, rocker arm shaft ends .....	2
3	TM27I00303	Spring, rocker arm shaft .....	2
4	X00623	Pin, cotter .....	2
5	XM37005	Washer, flat, rocker arm shaft to cylinder head .....	3
6	XM32031	Screw, rocker arm shaft to cylinder head .....	3
7	* TM20I05012	Shaft, rocker arm, w/ plugs (includes item 1) .....	1
8	TM27I05150	Arm assembly, rocker, intake .....	3
9	TM27I05140	Arm assembly, rocker, exhaust .....	3
10	TM27I00314	Support, rocker arm shaft .....	3
11	TM27I00313	Spring, rocker arm shaft .....	2
12	TM27I00403	Rod, push .....	6
13	TM27I00305	Tappet, valve .....	6
14	TM20I00600	Camshaft .....	1
15	X18552	Nut, camshaft gear to camshaft .....	1
16	Z145S03000	Governor assembly .....	1
17	TM27H00505	Gear, camshaft .....	1
18	F400I00246	Plate, camshaft thrust .....	1
19	XM32019	Screw, thrust plate to crankcase .....	2
20	XM37012	Washer, lock, thrust plate to crankcase .....	2
21	X00599D	Key, cam gear to camshaft .....	1
22	X17066	Pin, grooved, front support to shaft .....	1

**NOTE:** \* TM20I05012 Complete Rocker Arm Shaft Assembly (includes items 1-6, 8-11 & 22).

# CRANKSHAFT AND PULLEY



## CRANKSHAFT AND PULLEY

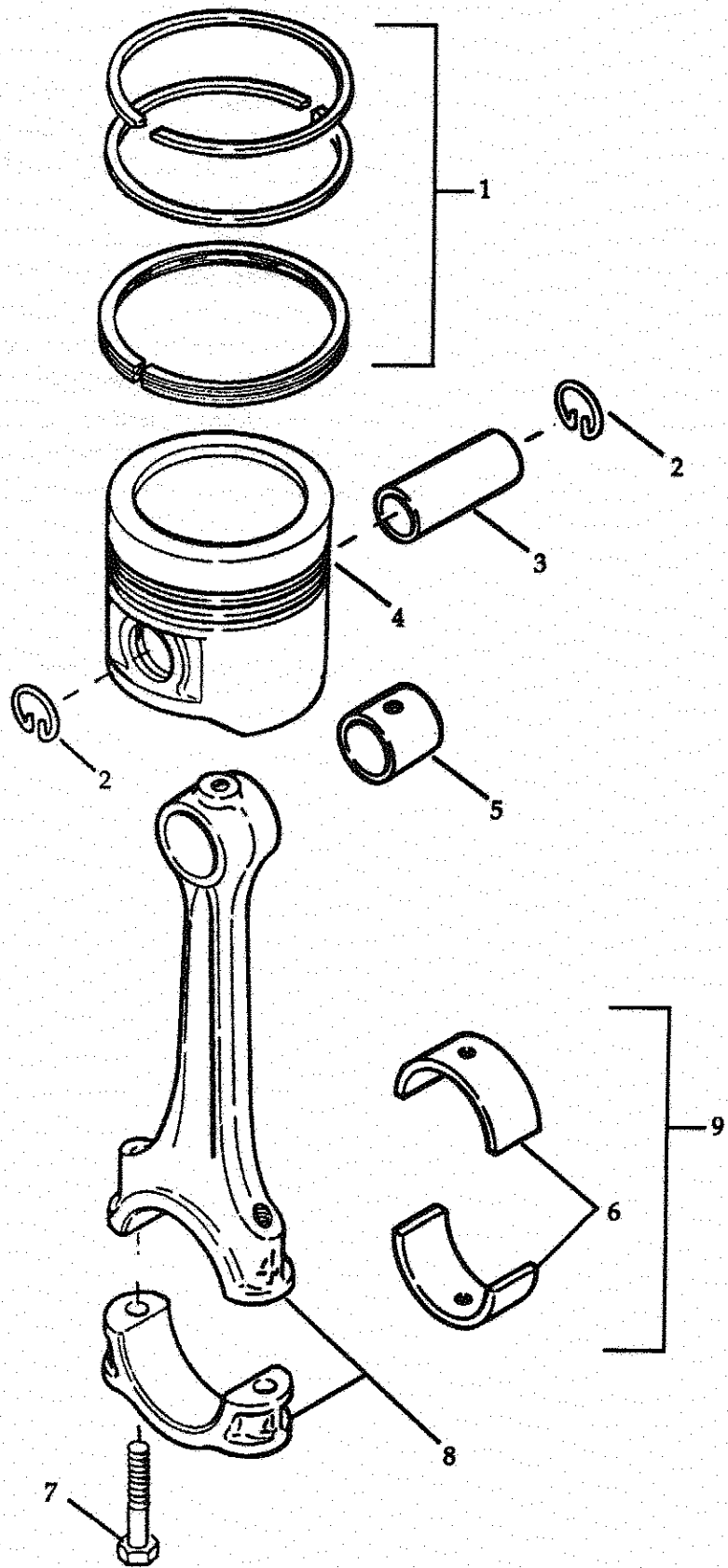
ITEM	PART NO.	DESCRIPTION	QTY
1	XM32064	Screw, crankshaft pulley to crankshaft .....	1
2	XM37014	Washer, plain, crankshaft pulley to crankshaft .....	1
3	TM27C00401	Pulley, crankshaft (w/PTO machining) .....	1
4	TM27C00408	Slinger, oil, crankshaft .....	1
5	TM27H00407	Gear, crankshaft .....	1
6	X00666	Key, crankshaft gear and pulley to crankshaft .....	1
7	TMD20C00300	Crankshaft .....	1
8	a _____	Bearing, crankshaft, front, intermediate and rear, upper .....	3
9	a _____	Bearing, crankshaft, rear intermediate, upper .....	1
10	a _____	Bearing, crankshaft, lower .....	4
11	b <del>TM20T00101</del>	Bearing kit, crankshaft (includes items 8-10) .....	1
12	X27019504	Belt, water pump/alternator drive .....	1

→ TM20T00106

**NOTE:**    \* Included in item 11.  
               <sup>b</sup> Crankshaft Bearing Kits are serviced in Standard and 0.25mm, 0.50mm, 0.75mm and 1.00mm oversizes.

10071001  
10071002

# PISTON AND CONNECTING RODS

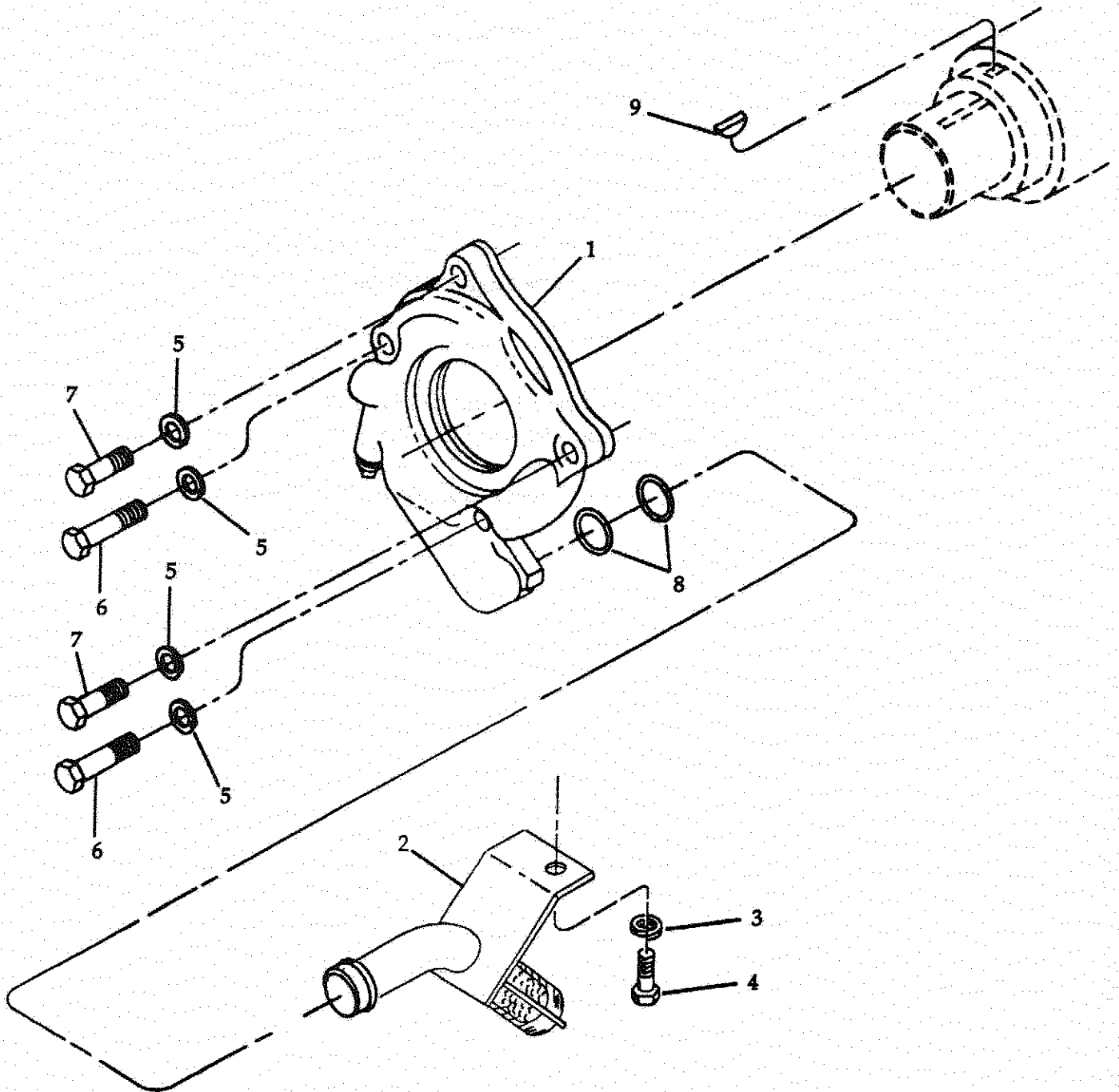


## PISTON AND CONNECTING RODS

ITEM	PART NO.	DESCRIPTION	QTY
	<i>TM27A05142E</i>		
1	<sup>a</sup> TM27T00120	Ring set (single piston) .....	3
2	K800A00203	Ring, retaining, piston pin.....	6
3	TM27A00300	Pin, piston .....	3
4	<sup>b</sup> <del>TM27A05001E</del>	Piston (includes items 2 & 3) .....	3
5	TM27G00303	Bushing, piston pin .....	3
6	<sup>c</sup> _____	Bearing, connecting rod, upper & lower .....	6
7	Z145D00300	Bolt, connecting rod .....	6
8	TMD27D03001	Rod assembly, connecting (includes items 5 & 7).....	3
9	<sup>d</sup> TM20T00102	Bearing set, connecting rod (single rod, includes item 6) .....	3

- NOTE:**
- <sup>a</sup> Piston Ring Sets are serviced in Standard and oversized 0.50mm, 0.75mm & 1.00mm.
  - <sup>b</sup> Pistons are serviced in Standard and oversized 0.50mm, 0.75mm & 1.00mm.
  - <sup>c</sup> Included in item 9.
  - <sup>d</sup> Connecting Rod Bearings are serviced in Standard and undersized 0.25mm, 0.50mm, 0.75mm & 1.00mm.

# OIL PUMP



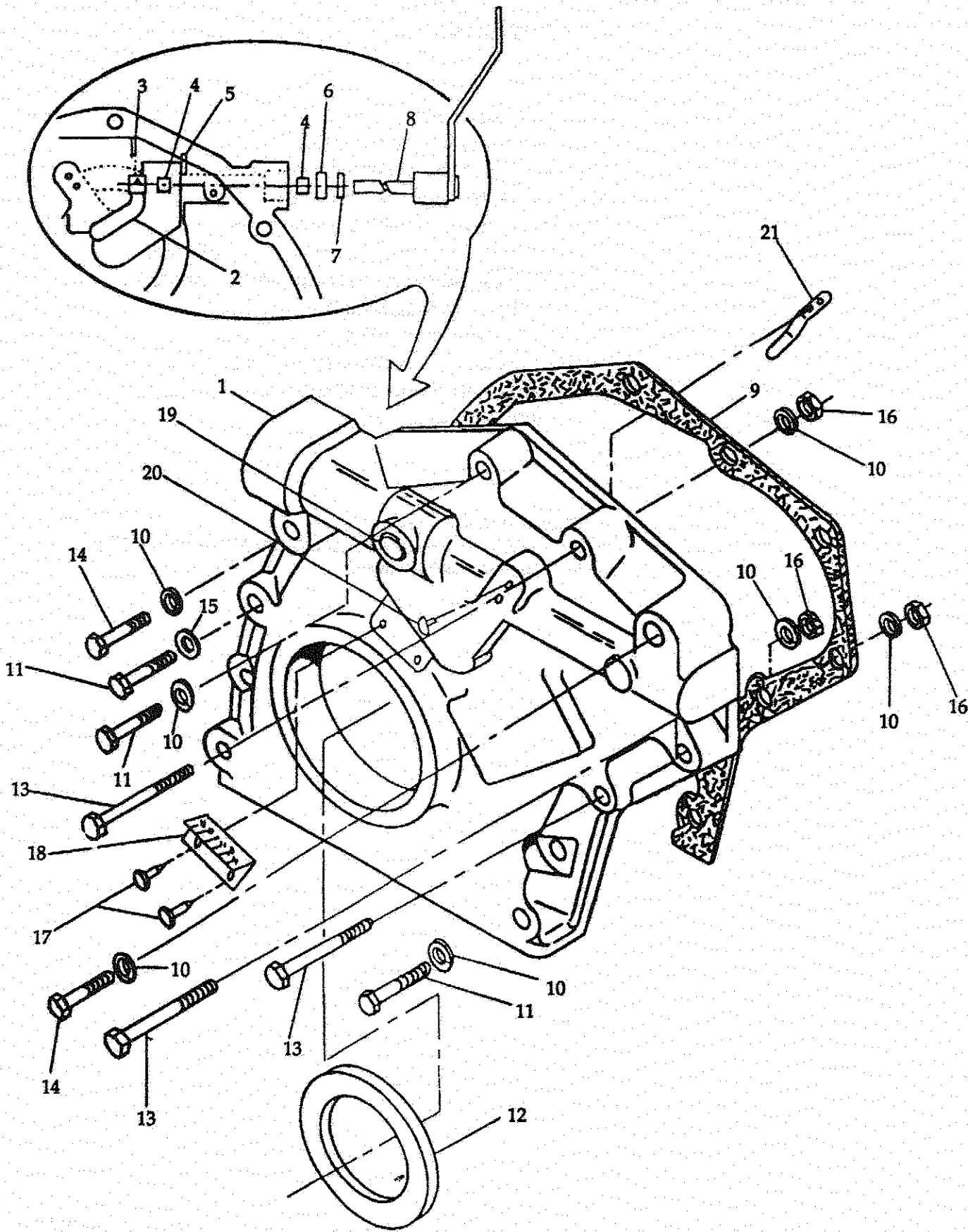
## OIL PUMP

ITEM	PART NO.	DESCRIPTION	QTY
	10111003		
1	<sup>a,b</sup> <del>TM27L06050</del>	Oil pump assembly .....	1
2	<sup>b</sup> TM20L04000	Tube assembly, oil pump inlet .....	1
3	XM37001	Washer, lock, tube to center bearing cap .....	1
4	XM32052	Screw, tube to center bearing cap .....	1
5	XM37002	Washer, lock, oil pump to bearing cap .....	1
—	XM37002	Washer, lock, oil pump to crankcase, right side .....	1
—	XM37002	Washer, lock, oil pump to crankcase, upper & left side ...	2
6	XM32041	Screw, oil pump to bearing cap .....	1
—	XM32041	Screw, oil pump to crankcase, right side	
7	XM32039	Screw, oil pump to crankcase, upper & left side .....	2
8	X01673	Seal, O-ring, oil pump inlet tube .....	2
9	X00692	Crankshaft key .....	1

- NOTE:**
- <sup>a</sup> Oil Pump components are not serviced separately.
  - <sup>b</sup> Engines built prior to S/N 88096321, see Service Bulletin # 88-379 & Newsletter C89-6 concerning Oil Pump & Inlet Tube assembly changes.



# GEAR COVER

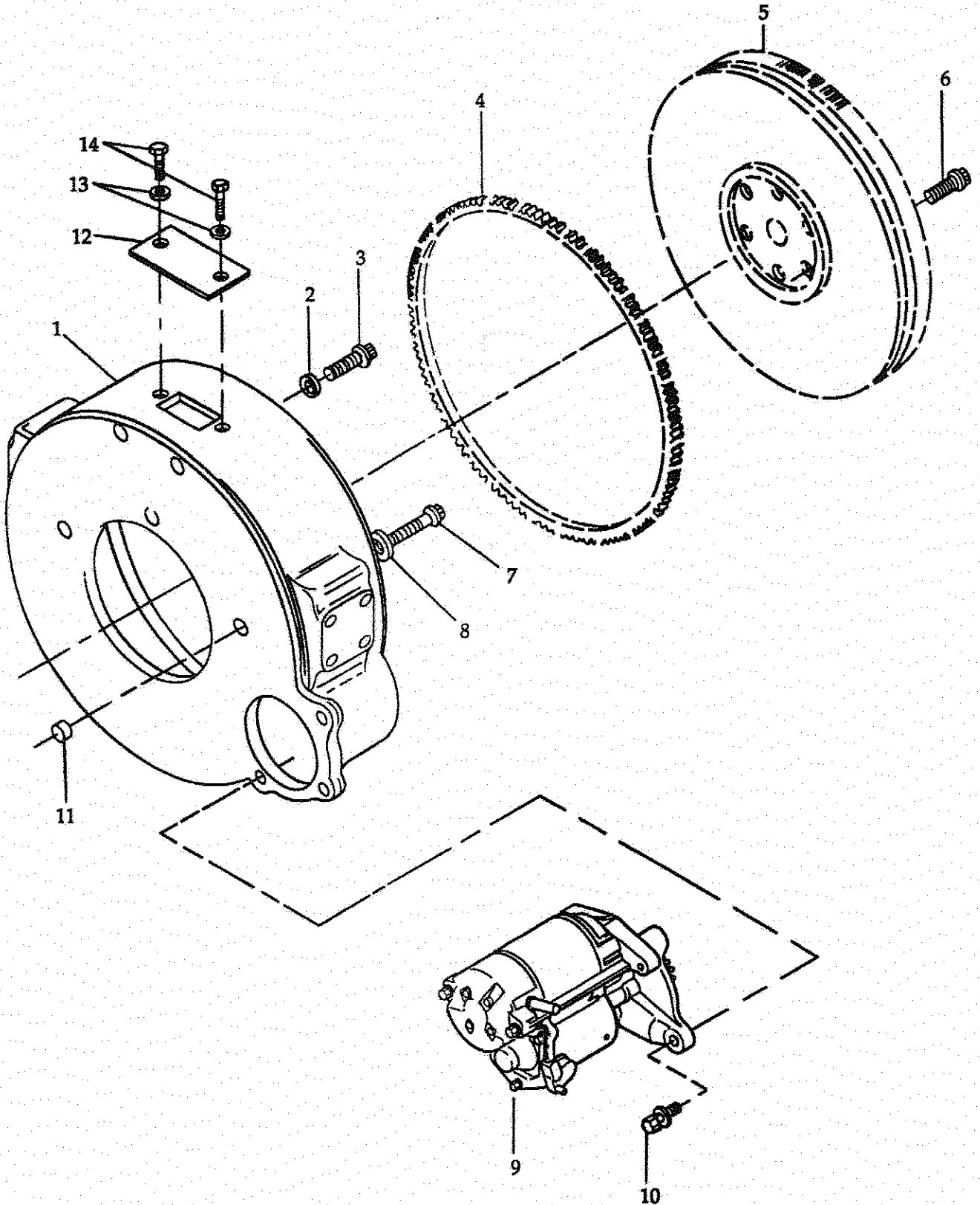


## GEAR COVER

ITEM	PART NO.	DESCRIPTION	QTY
1	TM27B06112	Cover assembly, gear (includes items 2-8, 12, & 17-21) ....	1
2	Z120S00203	Arm, cam gear governor rocker .....	1
3	X17040	Pin, groove, rocker arm to shaft .....	1
4	Z120S00202	Bearing, governor rocker shaft .....	2
5	X17045	Pin, groove, needle bearing stop .....	1
6	D600S00207	Seal, governor rocker shaft oil .....	1
7	Z120S00207	Seal, governor rocker shaft oil .....	1
8	TM27S04090	Lever & shaft assembly, governor .....	1
9	<sup>a</sup> TM27B00517	Gasket, gear cover .....	1
10	XM37001	Washer-lock .....	8
11	XM32026	Screw, gear cover to crankcase .....	4
12	<sup>a</sup> X07845	Seal, oil, crankshaft .....	1
13	XM32068	Screw, gear cover to crankcase .....	3
14	XM32115	Screw, gear cover to crankcase .....	2
15	X14134	Washer, copper, gear cover to crankcase .....	1
16	XM35000	Nut, gear cover to crankcase .....	3
17	X13012	Rivet, timing pointer to gear cover .....	2
18	TM27B00416	Timing pointer plate .....	1
19	26XX00137A	Plug, at rocker arm boss .....	1
20	X17048	Rivet, governor bumper spring .....	2
21	TM27S00302	Spring, governor bumper .....	1

NOTE: <sup>a</sup> Included in Front End Gasket Set TM27U02003.

# FLYWHEEL, HOUSING AND STARTER

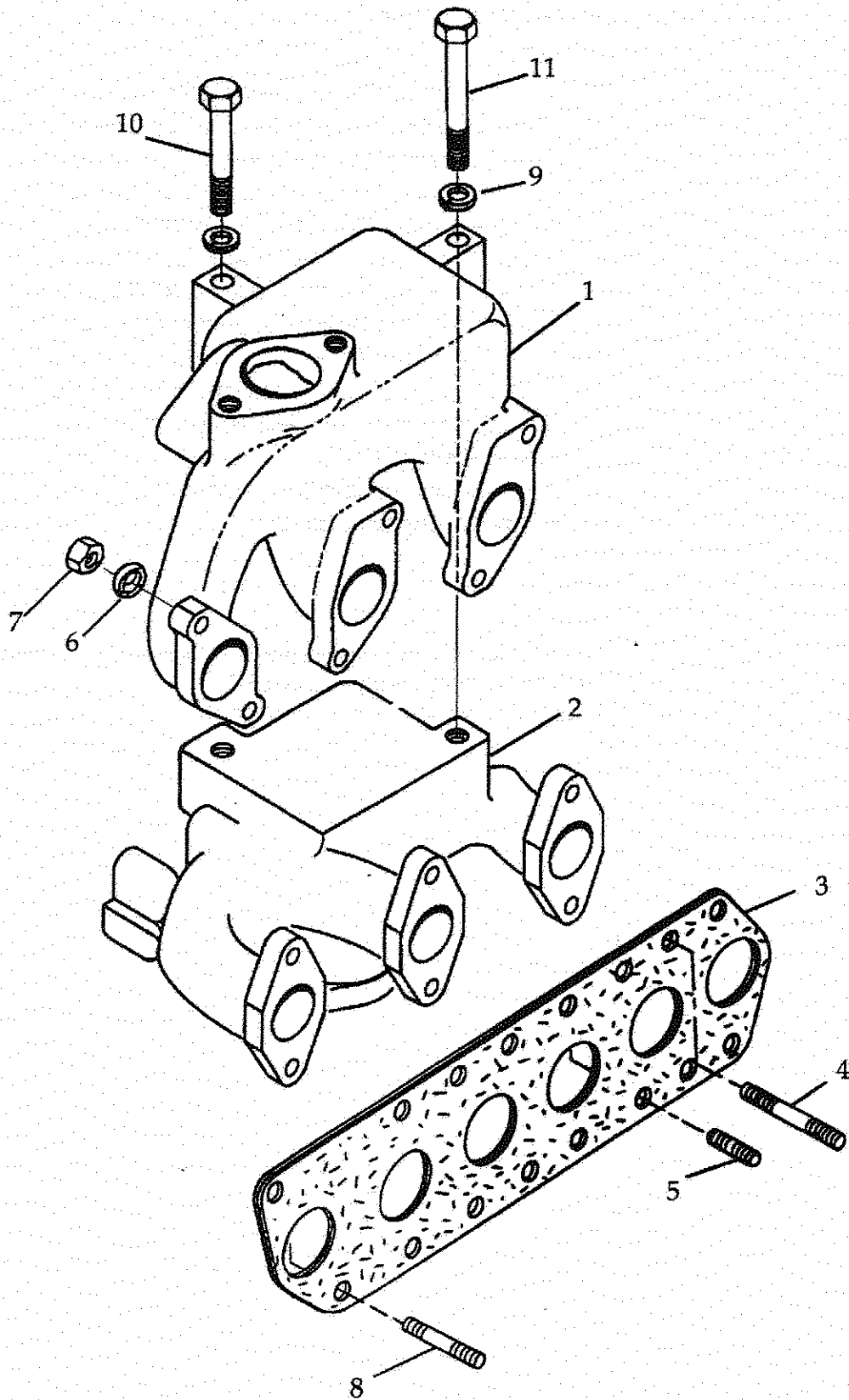


## FLYWHEEL, HOUSING AND STARTER

ITEM	PART NO.	DESCRIPTION	QTY
1	TM27B06072	Housing, flywheel (includes items 12-14).....	1
2	X14323	Washer, plain, housing to crankcase, center & upper.....	3
3	XM32086	Screw, housing to crankcase, center & upper .....	3
4	<sup>a</sup> _____	Gear, ring .....	1
5	<sup>a</sup> _____	Flywheel assembly (includes item 4).....	1
6	XM32036	Screw, flywheel to crankshaft.....	6
7	XM32021	Screw, housing to crankcase at dowel.....	2
8	X14141	Washer, plain, housing to crankcase at dowel .....	2
9	<sup>b</sup> TMD13M00500	Starter (Nippondenso) .....	1
10	X03979	Screw & washer, starter to flywheel housing .....	2
11	X07005	Dowel, ring, flywheel housing to crankcase .....	2
12	TM27B00304	Cover, timing hole .....	1
13	X00202B	Washer-lock, timing hole cover .....	2
14	X03236	Screw, timing hole cover .....	2

**NOTE:** <sup>a</sup> See your "Customer Specification" to determine Flywheel Assembly part number, then see Service Bulletin #91-416 for Ring Gear part number.  
<sup>b</sup> See accessories section at rear of this manual for service parts.

# INTAKE AND EXHAUST



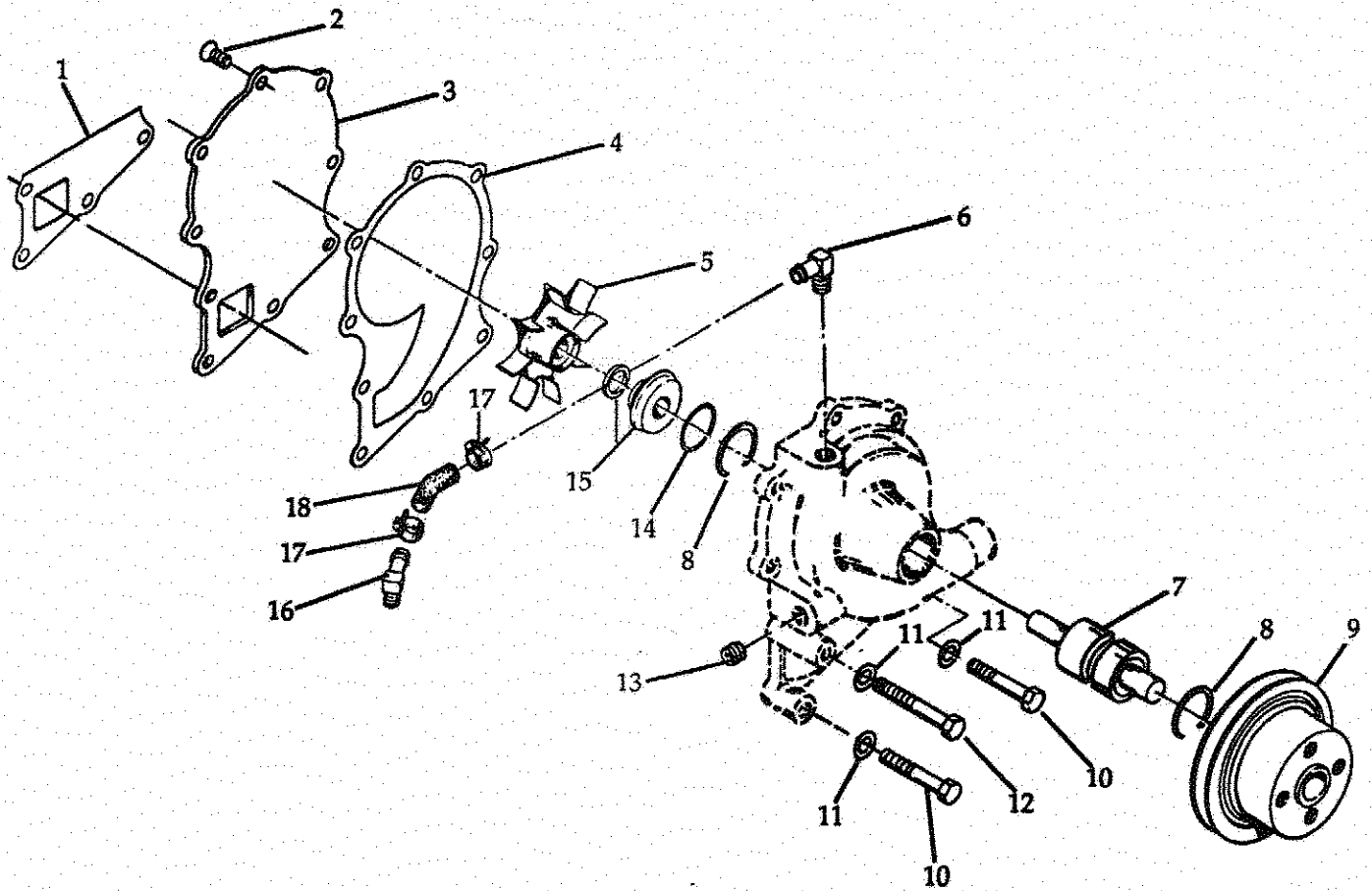
## INTAKE AND EXHAUST

ITEM	PART NO.	DESCRIPTION	QTY
1	TM20E00603	Manifold, exhaust (top outlet) .....	1
2	TM20F00601	Manifold, intake.....	1
3	<sup>a</sup> TM20E00502	Gasket, manifold, intake & exhaust .....	1
4	XM32050	Stud - M8 x 80, manifold to cylinder head # 2 & 5 .....	2
5	XM32022	Stud - M8 x 40, manifold to cylinder head # 1, 4, 7, 9, 10, 12, 13, 15 & 16 .....	9
6	XM37005	Washer, flat, exhaust manifold to cylinder head .....	12
7	24XXM35002	Nut, exhaust manifold to cylinder head .....	12
8	XM32113	Stud- M8 x 65, manifold to cylinder head # 17.....	1
9	XM37001	Washer-Lk, intake to exhaust .....	2
10	XM32011	Screw-M10 x 55, intake to exhaust - front.....	1
11	XM32049	Screw-M10 x 65, intake to exhaust - rear .....	1

**NOTE:**   <sup>a</sup> Included in Top End Gasket Set TMD20U01005.

**NOTE:**   Reference SPB#92-428 concerning one piece manifolds.

# WATER PUMP ASSEMBLY



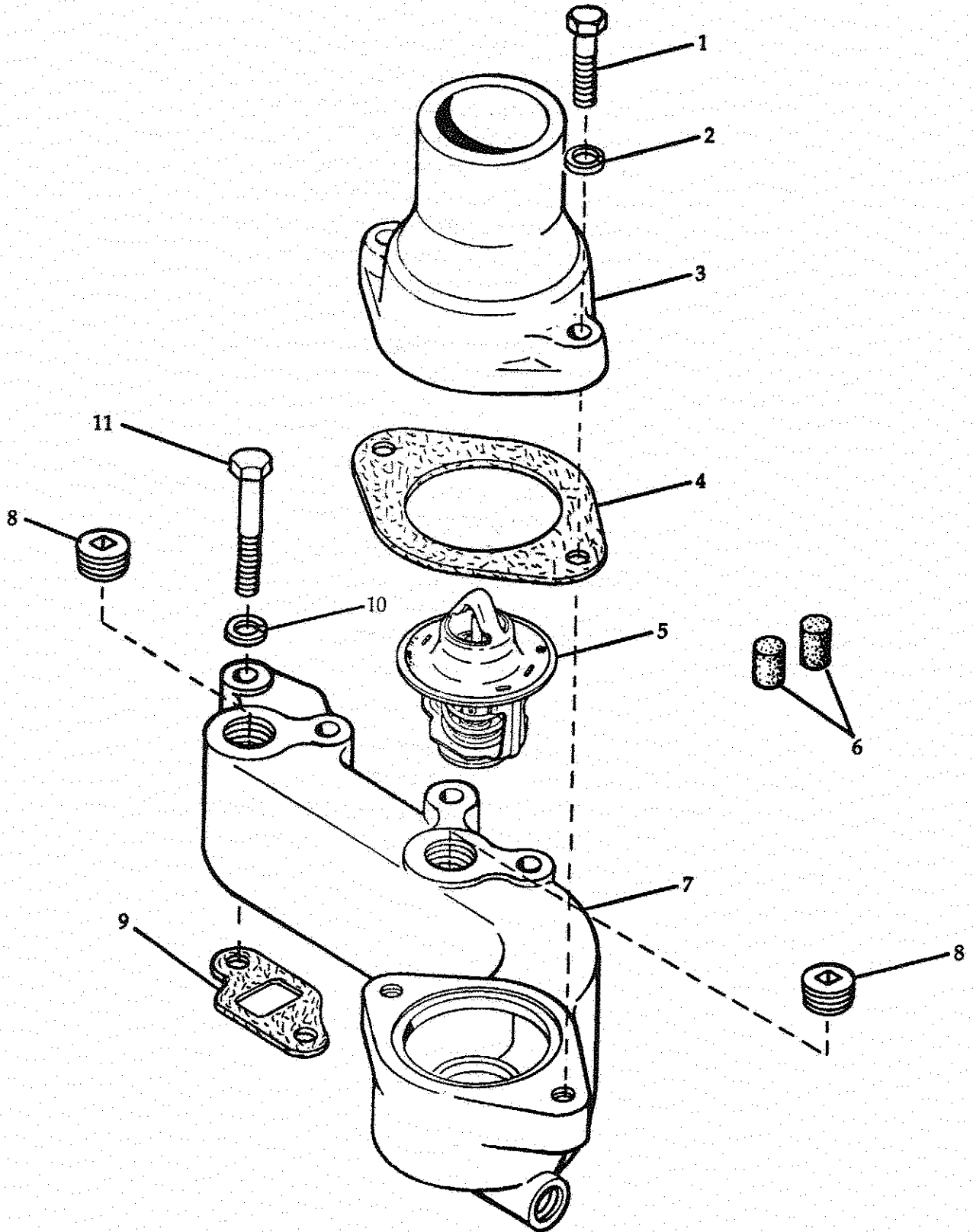
## WATER PUMP ASSEMBLY

ITEM	PART NO.	DESCRIPTION	QTY
—	TM27K06015	Pump assembly, water, complete (includes items 2-5, 7-9, & 13-15).....	1
—	TM27K06012	Pump assembly, water, for service, complete (includes items 1-5, 7, 8 & 13-15) .....	1
1	<sup>a,b</sup> TM27K00301	Gasket, water pump to crankcase .....	1
2	XM32106	Screw, backplate to water pump .....	6
3	TM27K00405	Plate, water pump back .....	1
4	<sup>b</sup> TM27K00403	Gasket, water pump back plate .....	1
5	<sup>b</sup> TM27K00418	Impeller, water pump .....	1
6	X26176	Elbow, hose, water pump body .....	1
7	<sup>b</sup> TM27K00306	Shaft & bearing assembly .....	1
8	<sup>b</sup> X07047	Ring, snap, shaft & bearing .....	2
9	<sup>c</sup> TM27K00406	Pulley, water pump .....	1
10	XM32011	Screw, water pump to crankcase.....	2
11	XM37001	Washer, lock, water pump to crankcase .....	3
12	XM32108	Screw, water pump & alternator strap to crankcase .....	1
13	X26166	Plug, water pump body, side.....	1
14	<sup>b</sup> K600K00220	Gasket, water pump seal .....	1
15	<sup>b</sup> OA200K03040	Seal & Seat assembly .....	1
16	X26176	Elbow, water by-pass, water header .....	1
17	X02376	Clamp, hose, water by-pass hose .....	2
18	TM27K00309	Hose, water by-pass .....	1

- NOTE:**
- <sup>a</sup> Included in Front End Gasket Set TM27U02003.
  - <sup>b</sup> Included in Water Pump Repair Kit TM27T01001.
  - <sup>c</sup> Water Pump Pulley Installation Instructions, Form X30078, packaged with service pump and water pump repair kit, must be followed when assembling pulley to pump.



# WATER HEADER AND THERMOSTAT

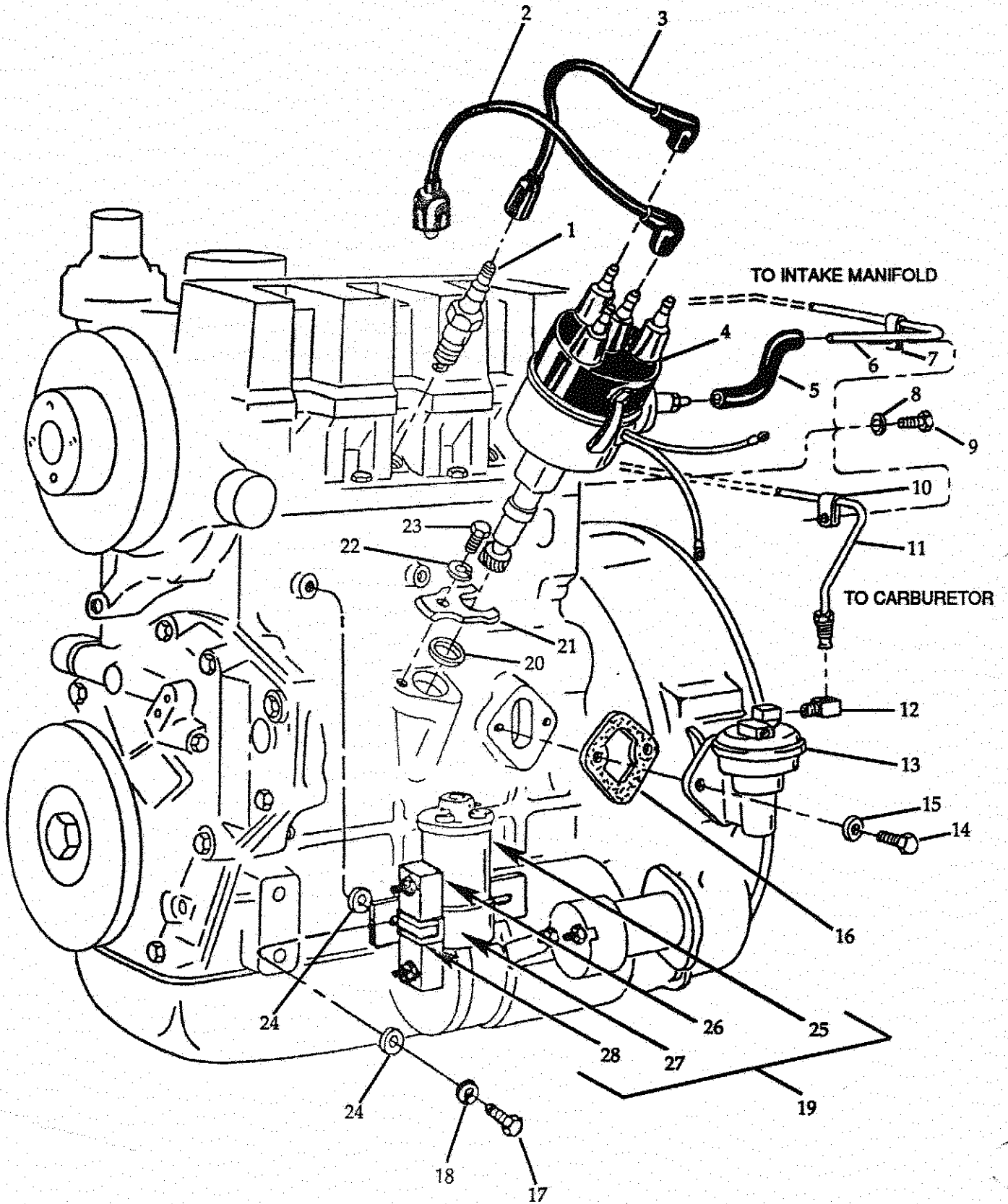


## WATER HEADER AND THERMOSTAT

ITEM	PART NO.	DESCRIPTION	QTY
1	XM32039	Screw, water outlet elbow to water header .....	2
2	XM37002	Washer, lock, water outlet elbow to water header .....	2
3	TM27K00404	Elbow, water outlet .....	1
4	<sup>a</sup> X07854	Gasket, water outlet elbow .....	1
5	TM27K00402	Thermostat .....	1
6	<sup>b</sup> X05695	Conditioner, coolant .....	2
7	TM27K00503	Header, water outlet .....	1
8	26XX00101B	Plug, water header .....	2
9	<sup>a</sup> TM27K00202	Gasket, water outlet header .....	2
10	XM37002	Washer, lock, water header to cylinder head .....	4
11	XM32038	Screw, water header to cylinder head .....	4

NOTE: <sup>a</sup> Included in Top End Gasket Set TMD20U01005.  
<sup>b</sup> Replenish anytime cooling system is serviced.

# DISTRIBUTOR, COIL AND FUEL PUMP

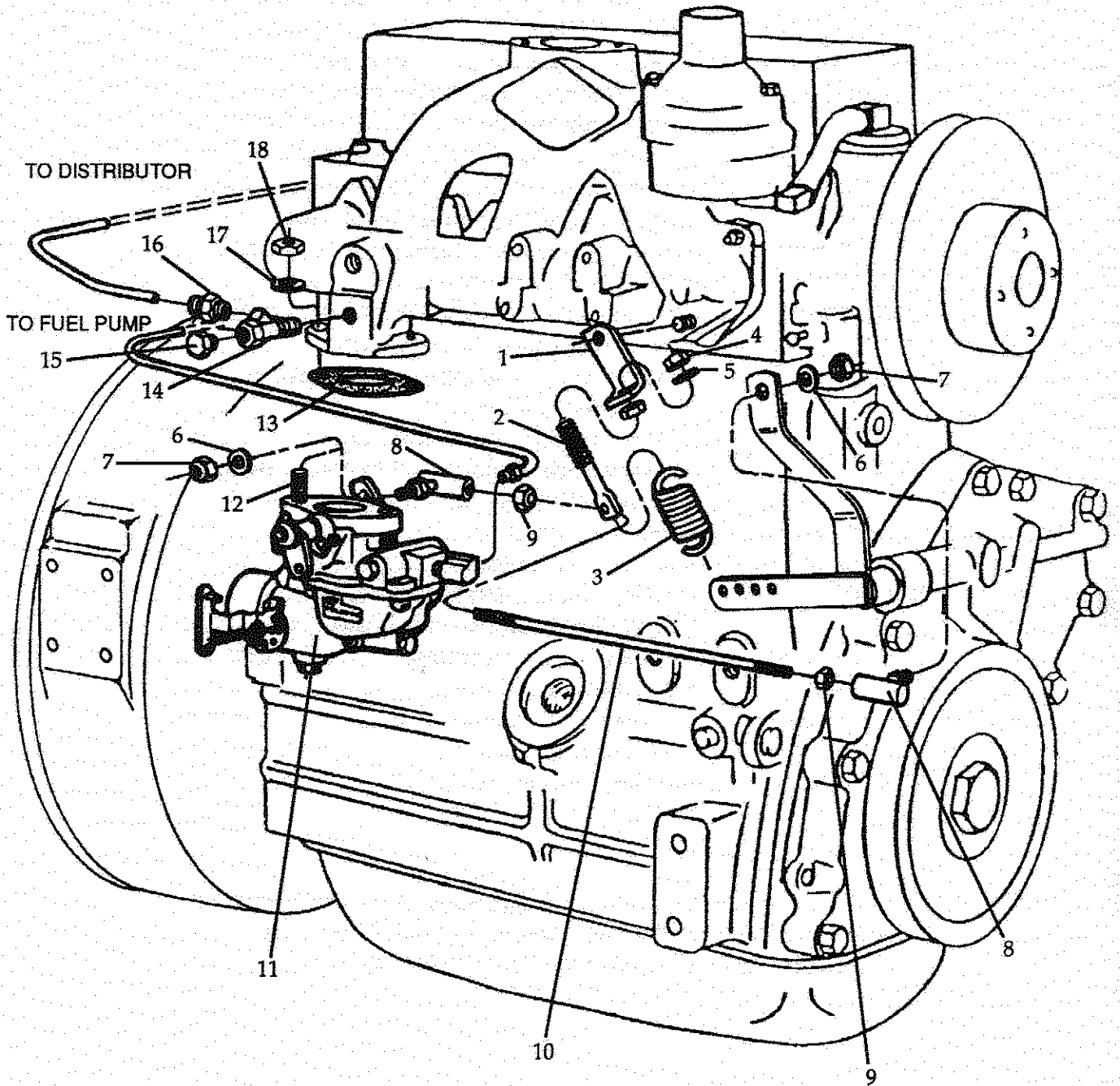


## DISTRIBUTOR, COIL AND FUEL PUMP

ITEM	PART NO.	DESCRIPTION	QTY
1	SP200S00009RNYC	Plug, spark .....	3
2	FW00313080	Wire, distributor to coil .....	1
3	FW00312080	Wire, distributor to spark plug, #1 & #2 .....	2
—	FW00312120	Wire, distributor to spark plug, #3.....	1
4	<sup>a</sup> TM20M00501	Distributor .....	1
5	X08258080	Hose, vacuum tube to distributor .....	1
6	TM20F05060	Tube, distributor to intake manifold .....	1
7	X07737	Clip, vacuum tube to cylinder head, rear .....	1
8	X01373	Washer, clip to cylinder head, rear .....	1
9	XM32008	Screw, clip to cylinder head, rear .....	1
10	X07738	Clip, fuel line to cylinder head, rear .....	1
11	TM20F05070	Tube, fuel pump to carburetor .....	1
12	X12251	Elbow, fuel pump outlet.....	1
13	<sup>b</sup> F400T00421	Kit - pump, fuel (includes F/P & item 15) .....	1
14	XM32037	Screw, fuel pump to crankcase .....	2
15	<sup>c</sup> X14192	Washer, plain, fuel pump to crankcase .....	2
16	X07861	Gasket, fuel pump .....	1
17	XM32037	Screw, ignition coil to crankcase .....	2
18	XM37002	Washer, lock, ignition coil to crankcase .....	2
19	TM27M03170	Coil assembly, ignition (includes items 25-28) .....	1
20	<sup>c</sup> F401M00219	Gasket, distributor.....	1
21	TM27M00316	Clamp, distributor .....	1
22	XM37002	Washer, lock, distributor to crankcase .....	1
23	XM32037	Screw, distributor to crankcase .....	1
24	TM27M00240	Washer — coil mounting.....	4
25	<sup>d</sup> TM27M00227	Coil, ignition.....	1
26	<sup>d</sup> TM27M00228	Resistor .....	1
27	<sup>d</sup> TM27M00229	Bracket, coil .....	1
28	<sup>d</sup> TM27M00230	Bracket, resistor .....	1

- NOTE:**
- <sup>a</sup> See accessories section at rear of this manual for service parts.
  - <sup>b</sup> See Service Bulletin #83-343 concerning Fuel Pump Kits.
  - <sup>c</sup> Included in Top End Gasket Set TMD20U01005.
  - <sup>d</sup> Included in item 19.

# CARBURETOR, CONTROL ROD AND GOVERNOR RELATED ITEMS



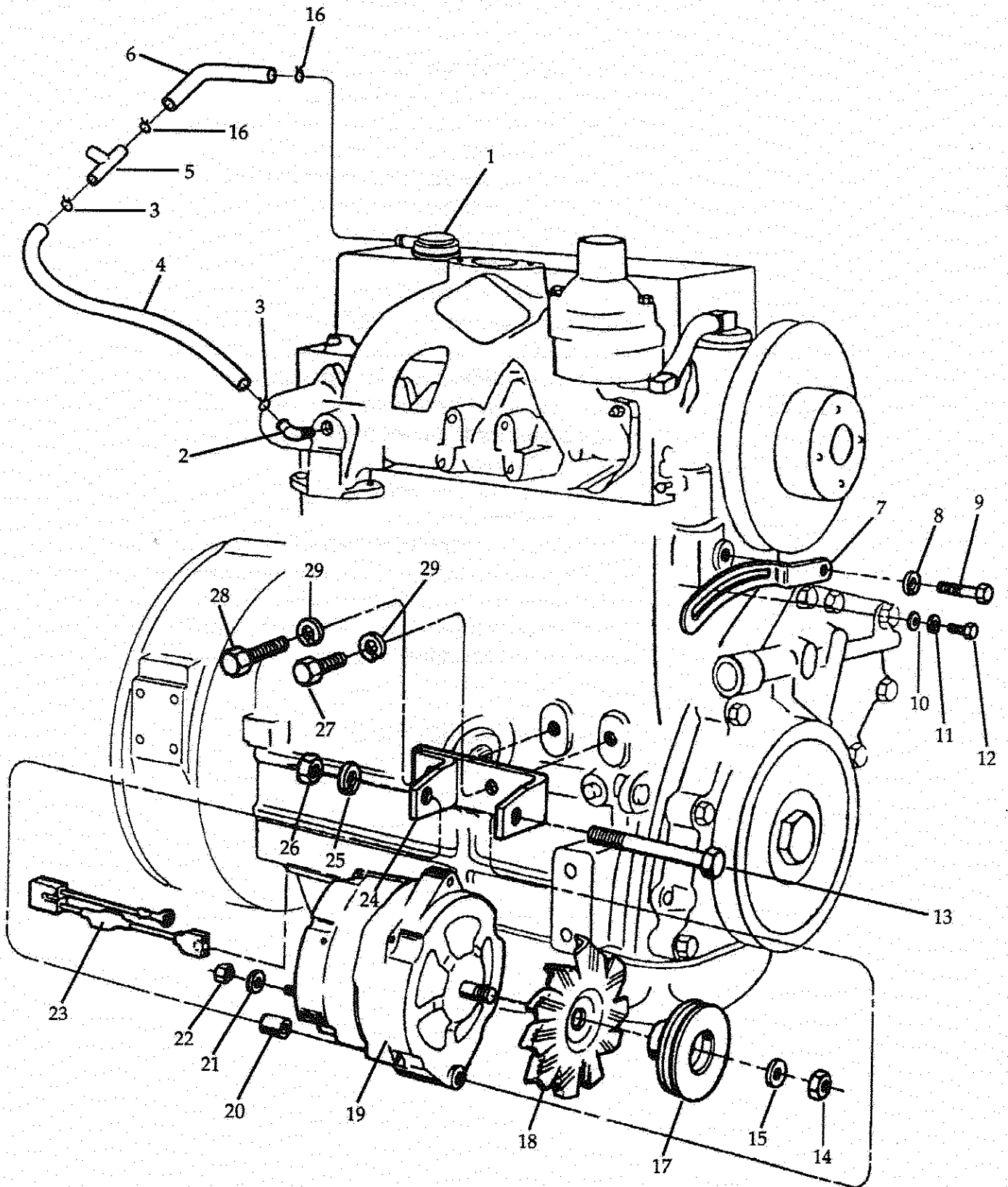
## CARBURETOR, CONTROL ROD AND GOVERNOR RELATED ITEMS

ITEM	PART NO.	DESCRIPTION	QTY
1	TM20S00305	Anchor, governor spring .....	1
2	TM27S00301	Screw, governor spring adjusting .....	1
3	F401S00229	Spring, governor .....	1
4	XM35001	Nut, governor spring adjusting screw .....	2
5	X01373	Washer, plain, governor spring adjusting screw .....	1
6	X00201	Washer, lock, ball joint to levers .....	2
7	X18137	Nut, ball joint to levers .....	2
8	X13250	Ball joint, control rod .....	2
9	X18137	Nut, ball joint to control rod .....	2
10	X05692096	Rod, control (governor to carburetor) .....	1
11	CA10F00364	Carburetor .....	1
—	10210004	Repair kit — carburetor (for service) .....	1
—	10210005	Gasket set — carburetor (for service) .....	1
12	XM32048	Stud, carburetor to intake manifold .....	2
13	<sup>a</sup> TM27F00206	Gasket, carburetor .....	1
14	X12671	Tee, pipe, intake manifold .....	1
15	26XX26129	Plug, end of tee .....	1
16	X12131	Union-half, tee at intake manifold .....	1
17	XM37016	Washer, lock, carburetor to intake manifold .....	2
18	XM35000	Nut, carburetor to intake manifold .....	2
—	10250002	Label-warning rotating fan (attach to control rod — governor to carburetor) .....	1

NOTE: <sup>a</sup> Included in Top End Gasket Set TMD20U01005.

*Miller  
welder  
Tm27S00301/6  
GD915*

# ALTERNATOR AND PCV SYSTEM



## ALTERNATOR AND PCV SYSTEM

ITEM	PART NO.	DESCRIPTION	QTY
1	TM27L00412	Cap, oil filler - top of cylinder head cover .....	1
2	X26125	Elbow, restrictor, intake manifold .....	1
3	X02751	Clamp, hose .....	2
4	X08253120	Hose, restrictor elbow to tee .....	1
5	X26124	Tee, hose at filler cap .....	1
6	F401F00274	Hose, filler cap to tee .....	1
7	TM27M00301	Strap, adjusting, alternator .....	1
8	————	Washer, lock (see item 11, page 24) .....	1
9	————	Screw, (see item 12, page 24) .....	1
10	X14141	Washer, plain, adjusting strap to alternator .....	1
11	XM37002	Washer, lock, adjusting strap to alternator .....	1
12	XM32039	Screw, adjusting strap to alternator .....	1
13	XM32007	Screw, alternator to bracket .....	1
14	————	Nut, pulley & fan to alternator (part of alt.) .....	1
15	————	Washer, pulley & fan to alternator (part of alt.) .....	1
16	X02708	Clamp, hose - filler cap to tee hose .....	2
17	F600M00379	Pulley, alternator .....	1
18	HD277M00407	Fan, alternator pulley .....	1
19	<sup>a,b</sup> F401M00355	Alternator (Delco #1105067, includes items 14 & 15) .....	1
20	X14234	Spacer, alternator to bracket, rear .....	1
21	13XXM37013	Washer, lock, alternator battery terminal .....	1
22	13XXM35001	Nut, alternator battery terminal .....	1
23	F401M00332	Harness, alternator .....	1
24	TM27M00411	Bracket, alternator .....	1
25	XM37001	Washer, lock, alternator to bracket .....	1
26	XM35000	Nut, alternator to bracket .....	1
27	XM32045	Screw, alternator bracket to crankcase .....	1
28	XM32046	Screw, alternator bracket to crankcase .....	1
29	XM37008	Washer, alternator bracket to crankcase .....	2
—	X06163	Decal - alternator .....	1

**NOTE:** <sup>a</sup> Alternator components are not serviced separately.  
<sup>b</sup> Alternator See: SPB #92-419.



# NOTES

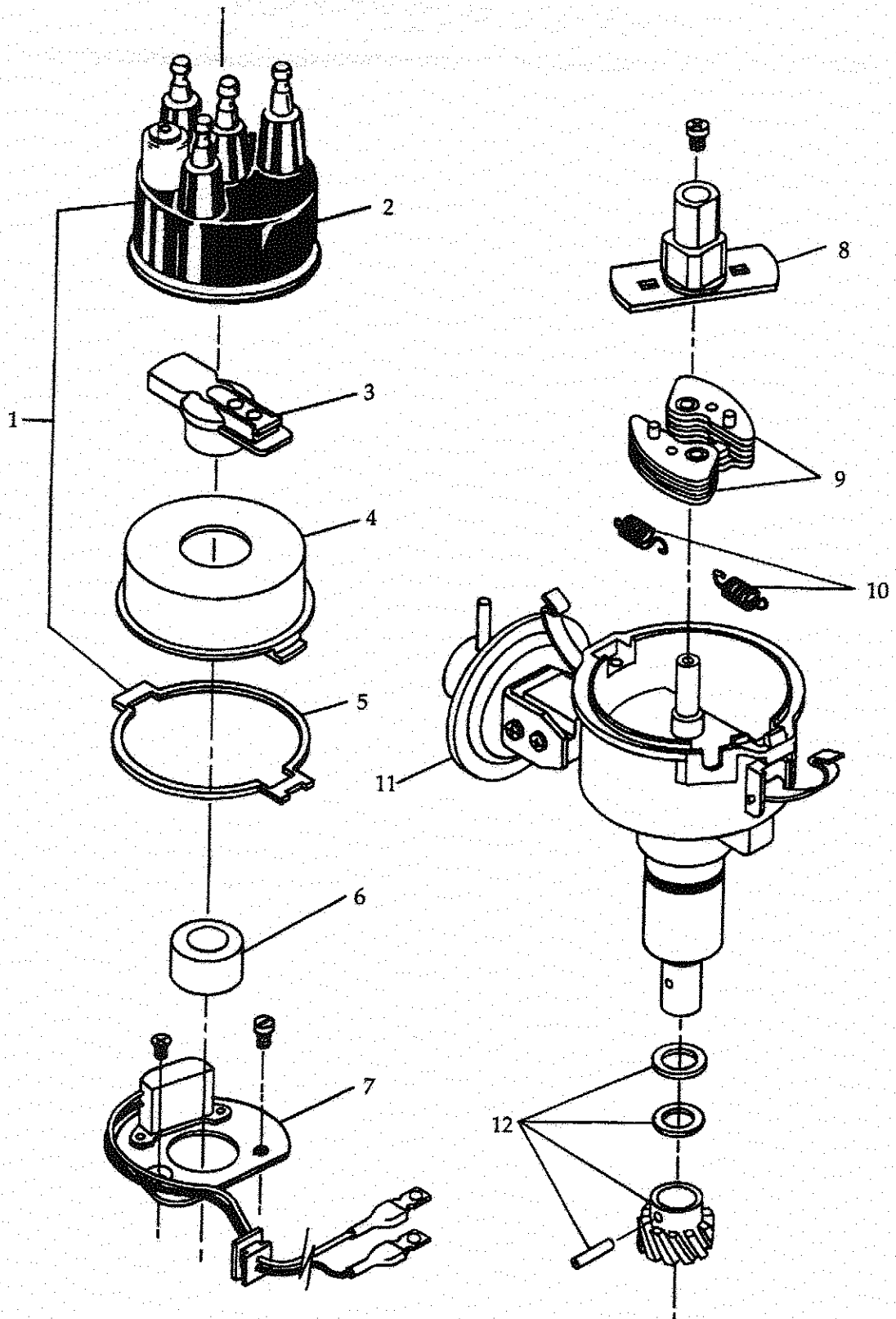
# Accessories Section

## SERVICE PARTS LISTS

---

- Distributor
- Starter

# TM20M00501 DISTRIBUTOR

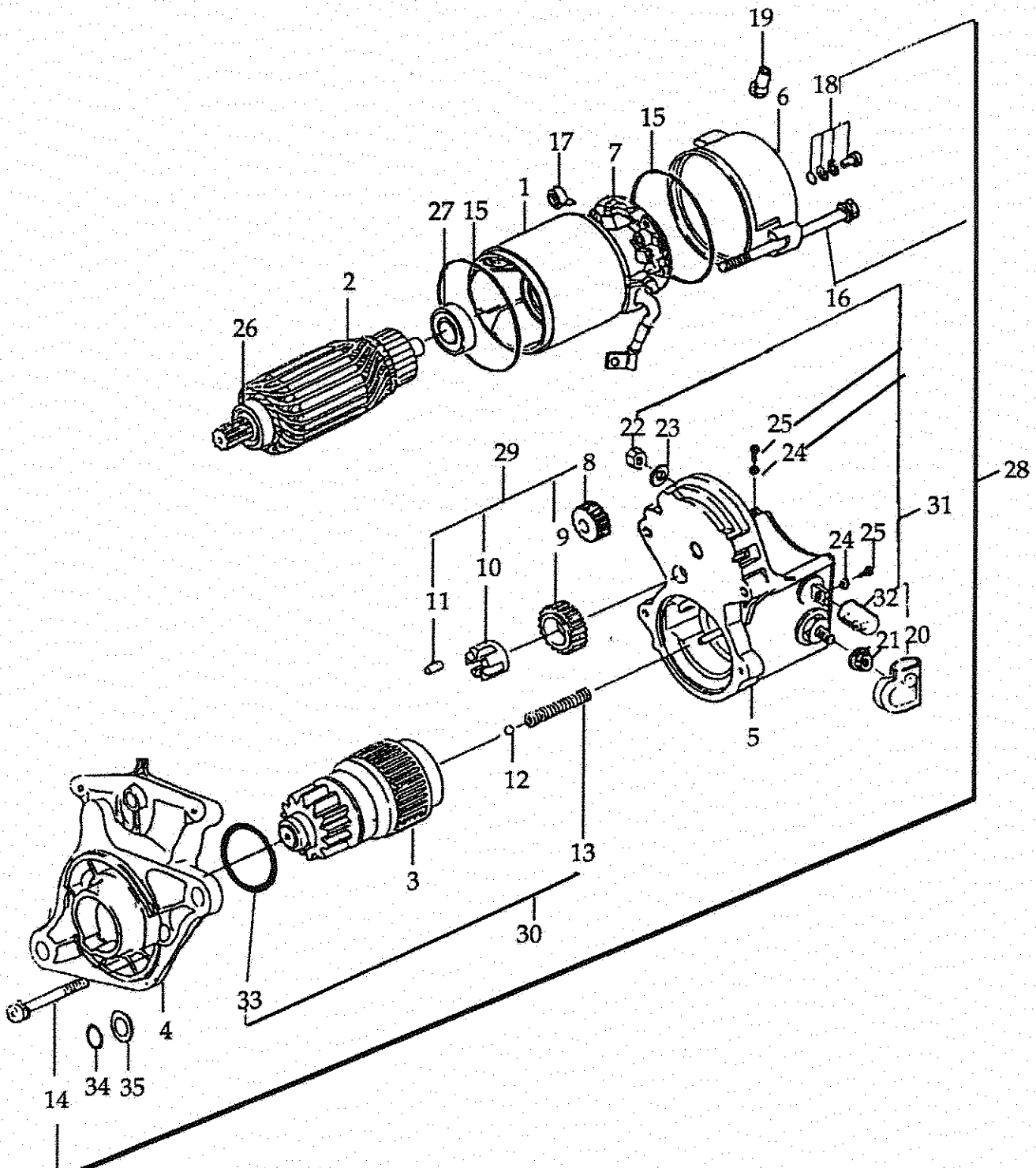


## TM20M00501 DISTRIBUTOR SERVICE PARTS

ITEM	PART NO.	DESCRIPTION	QTY
1	TM20M00203	Cap and gasket — vented (includes items 2 & 5) .....	1
2	<sup>a</sup> ———	Cap (vented) .....	1
3	TM27M00224	Rotor .....	1
4	20120003	Cover, dust .....	1
5	20120010	Gasket — distributor cap .....	1
6	TM20M00204	Magnet assembly .....	1
7	TM20M00205	Module — distributor .....	1
8	<sup>a</sup> ———	Cam and stop plate .....	1
9	TM27M00235	Advance weights (set).....	1
10	TM27M00231	Advance springs (set) .....	1
11	TM27M00232	Vacuum advance .....	1
12	TM27M00225	Gear kit — distributor .....	1
13	TM27M03170	Coil ASM (Not Illustrated) (Incl: Item 14-17) .....	1
14	TM27M00227	Coil (Not Illustrated) .....	1
15	TM27M00228	Resistor (Not Illustrated) .....	1
16	TM27M00229	Bracket - Coil (Not Illustrated) .....	1
17	TM27M00230	Bracket - Resistor (Not Illustrated) .....	1

NOTE: <sup>a</sup> Not serviced separately.

# NIPPONDENSO STARTER



**TMD13M00500 STARTER**  
**(NIPPONDENSO P/N: 128000-1770)**

ITEM	PART NO.	DESCRIPTION	QTY
1	a _____	Yoke assembly, starter .....	1
2	a _____	Armature assembly .....	1
3	10120001	Starter kit .....	1
4	a _____	Housing assembly, starter .....	1
5	10120003	Switch assembly, magnetic .....	1
6	a _____	Frame, starter end .....	1
7	a _____	Holder assembly, starter .....	1
8	a,b _____	Pinion, starter .....	1
9	a,b _____	Pinion, starter .....	1
10	a,b _____	Retainer .....	1
11	a,b _____	Roller, clutch .....	5
12	a,c _____	Ball, steel .....	1
13	a,c _____	Spring, compression coil .....	1
14	a,d _____	Screw w/washer .....	2
15	10120006	O-ring .....	2
16	a,d _____	Bolt w/washer .....	2
17	a _____	Spring, brush spiral .....	4
18	a,d _____	Screw w/o-ring .....	2
19	10120007	Cover .....	1
20	a,e _____	Cap, terminal rubber .....	1
21	a,e _____	Nut .....	1
22	a,e _____	Nut, hex .....	1
23	a,e _____	Washer, spring .....	1
24	a,e _____	Washer, spring .....	2
25	a,e _____	Screw, slotted hex .....	2
26	10120010	Bearing, ball .....	1
27	10120011	Bearing, ball .....	1
28	10120012	Starter kit (includes items 14, 16, 18, 34 & 35) .....	1
29	10120013	Starter kit (includes items 8-11) .....	1
30	10120014	Starter kit (includes items 12, 13 & 33) .....	1
31	10120015	Starter kit (includes items 20-25 & 32) .....	1
32	a,e _____	Cap, terminal rubber .....	1
33	a,c _____	O-ring .....	1
34	a,d _____	O-ring .....	2
35	a,d _____	Washer, plate .....	2

**NOTES:**

- <sup>a</sup> Not serviced separately.
- <sup>b</sup> Included in item 29.
- <sup>c</sup> Included in item 30.
- <sup>d</sup> Included in item 28.
- <sup>e</sup> Included in item 31.

## ENGINE SERVICE KITS COMPONENTS

KIT NUMBER	PART NUMBER	DESCRIPTION	QTY
F400T00421	TM27F00425	Fuel Pump .....	1
	X14192	Washer - Copper .....	2
	X03159	Screw .....	2
	TTP10000	Fuel Pump Instruction Sheet .....	1
TM27T00107	TM27B00305	Syringe .....	1
	X07818	Gasket Form-RTV .....	1
	X07840	Insert Cure .....	2
	X30194	Sheet - Instruction .....	1
TM27T01001	TM27K00306	Bearing and Shaft Water Pump .....	1
	X07047	Ring - Snap .....	2
	OA200K03040	Seal - Water Pump .....	1
	K500K00220	Gasket - Water Pump Seal .....	1
	TM27K00403	Gasket - Water Pump .....	1
	TM27K00301	Gasket - Water Pump .....	1
	TM27K00418	Impeller Water Pump .....	1
	X30078	Sheet - Instruction .....	1
TM27U02003	TM27K00301	Gasket - Water Pump .....	1
	TM27B00517	Gasket - G/C .....	1
	X07845	Seal - Oil .....	1
	TM27L00513	Seal - Oil .....	2
TMD20U01004	TMD20A00512	Gasket Head .....	1
	TM20E00502	Gasket - Manifold .....	1
	TM20A00500	Gasket Cover .....	1
	XM39000	O-Ring .....	2
	X14596	Washer - Plain .....	2
	X07854	Gasket - Water Outlet Elbow .....	1
	TM27K00202	Gasket - Water Outlet Header .....	2
	TM27F00206	Gasket - Carburetor .....	1
	X14192	Washer - Copper .....	2
	F401M00219	Gasket - Dist. ....	1
	TTP10121	TM/TMD Cylinder Head Torque Chart .....	1

**SERVICE AND PARTS**  
**Available from your Authorized**  
**WIS-CON TOTAL POWER**  
**Service Center**

 **WIS-CON**  
**TOTAL POWER** CORP.

**HEADQUARTERS:**

3409 Democrat Road P.O. Box 181160 Memphis, Tennessee 38181  
Phone: (901) 365-3600 TELEX: 462-1058 (ITT) FAX NO: (901) 369-4050

**EUROPEAN:**

Rue Joseph Defandre, 13 B-4053 Chaudfontaine (Liege) Belgium  
Phone: (32) (41) 675320 TELEX: 42631 TDY TP B FAX NO: (32) (41) 677987