

# WISCONSIN MOTORS MODEL V465D ILLUSTRATED PARTS CATALOG

FACTORY AUTHORIZED DISTRIBUTOR

## PITT AUTO ELECTRIC COMPANY

4085 ALPHA DRIVE · ALLISON PARK, PA 15101

Toll Free 800-245-0711 · Fax 800-551-5908

*\$2 Million+ Parts Inventory – Same Day Shipments*



### Easy On-Line Ordering Steps

1. If you have an account – Please Log On
2. If you don't have an account that's OK – We'll get your information during checkout
3. Click on the Item Number or Part Number you need
4. Enter the Quantity you need
5. Click "Add To Cart"
6. View total cost & quantity we have available. (If we don't have enough on hand we'll order them and ship ASAP)
7. Change or Remove anything from Your Cart
8. Click Checkout when you're ready to buy
9. Any questions call us or email us [info@pittauto.com](mailto:info@pittauto.com)

### Repair Specifications

Standard Cylinder Bore	3.749 - 3.748
Piston Skirt to Bore Clearance	.0025 - .003 Cam Ground
Crankpin Diameter	2.1233 - 2.1238
	.0005 - .0018 Shell Bearing to Crankpin Clearance (Vertical) Center BRG Shell .0013-
Connecting Rod to Crankpin Clearance	.0038
Valve Tappet Clearance - Cold/Inlet	0.008
Valve Tappet Clearance - Cold/Exhaust	0.014

### Bolt Torque Specifications(FT. LBS.)

Connecting Rod	28 - 32
	Center BRG Hanger 74 - 76 Cap 32 - 35
	Engines built prior to serial No.6089642 Center BRG Torque is 60 Ft-Lbs
Cylinder Block/Center Main to C.Case	Alternate in 3 steps 8-10/18-20/27-30
Cylinder Head	8 - 11 Ft Lbs
Engine Base	16 - 18
Gear Cover	Upper/Lower 13-15 to Cyl. Head 23-25
Manifold	28 - 32
Main Bearing Plate	20 - 22
Spark Plug	95 - 110
Flywheel	None
Rope Sheave	

### Additional Specifications(FT. LBS.)

Crankcase Old Capacity	6 QTS - ADD 1 QT when replacing filter
Running Spark Advance	23 Degrees
Maximum Engine Operating R.P.M.	3000
Emission Certified	FALSE



# WISCONSIN MOTORS MODEL V465D ILLUSTRATED PARTS CATALOG

FACTORY AUTHORIZED DISTRIBUTOR

**PITT AUTO ELECTRIC COMPANY**

4085 ALPHA DRIVE · ALLISON PARK, PA 15101

Toll Free 800-245-0711 · Fax 800-551-5908

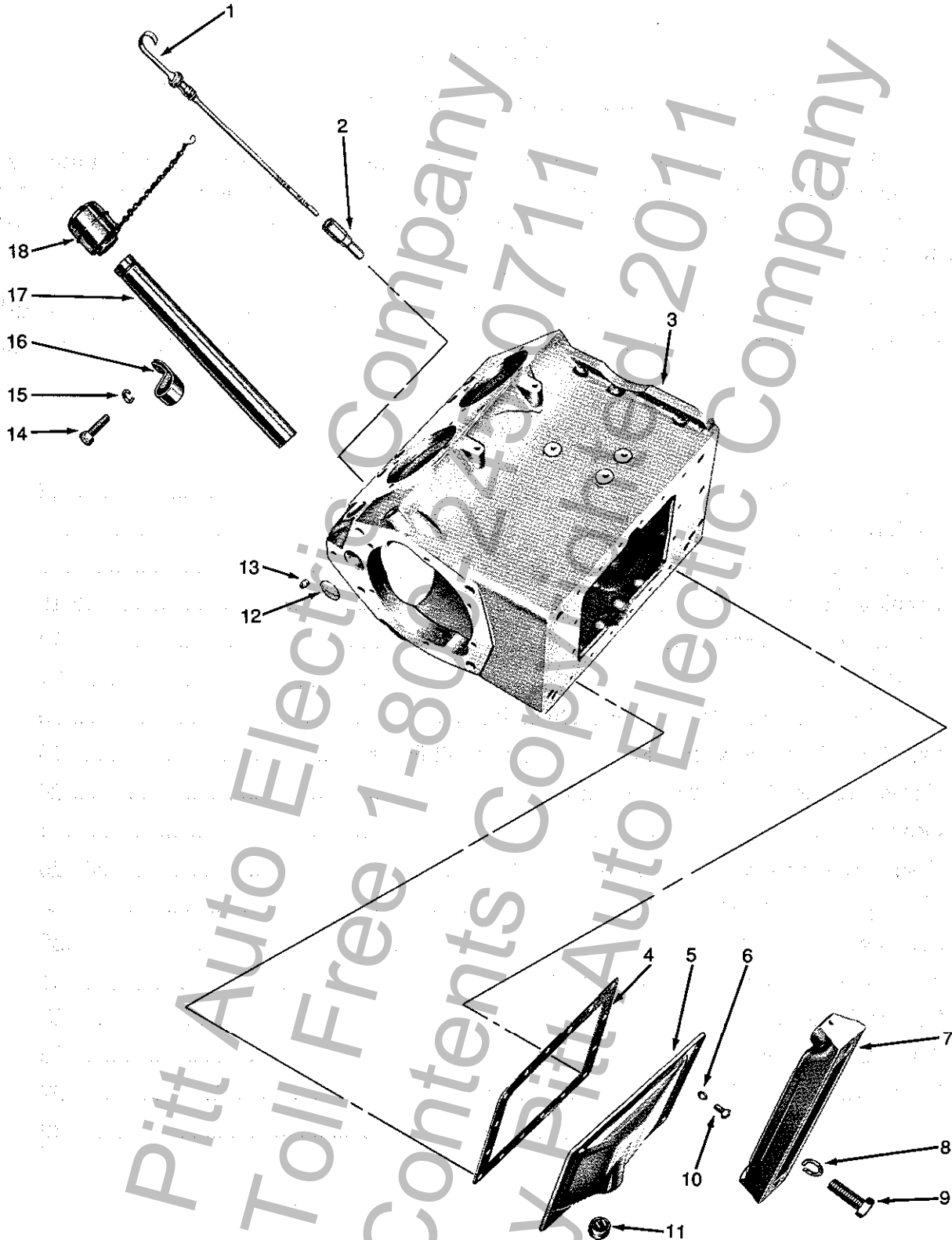
*\$2 Million+ Parts Inventory – Same Day Shipments*



## [TABLE OF CONTENTS – Click on the Parts Group or Page to See Parts List](#)

<u>Description</u>	<u>Page</u>
Air Cleaner	37-38
Alternator	33
Camshaft & Fuel Pump Mounting	21-22
Carburetor, Manifold & Muffler	13-14
Control Panel	35-36
Crankcase, Dipstick and Oil Pan	3-4
Crankshaft, Piston & Connecting Rod	9-12
Cylinder and Head	5-6
Cylinder Head, Valves and Rocker Arm	7-8
Distributor & Coil	39-40
Flywheel & Air Shrouding	29-30
Gasket Set	41-42
Gear Case & Accessory Drive	25-28
Governor	23-24
Idle Gear & Bearing Retainer	17-18
Oil Lines, Pressure Valve, Relief Valve & Oil Filter	19-20
Oil Pump	15-16
Starter Motor Mounting	31-32

Click the part item number for  
the price and availability



[Return to Table of Contents](#)

NOTE: ----- through the part no. means it has been discontinued and is not available from Wisconsin  
**PITT AUTO ELECTRIC CO \* 4085 ALPHA DRIVE \* ALLISON PARK, PA 15101**  
**FACTORY AUTHORIZED WISCONSIN MOTORS DISTRIBUTOR**  
**TOLL FREE 1-800-245-0711 EXT 2 \* TOLL FREE FAX 1-800-551-5908**

Click the part number for the price and availability

## Crankcase and Oil Pan

ITEM	PART NO.	DESCRIPTION	QTY
1	RJ173	Dipstick, 10" long.....	1
2	RF1495B	Tube, dipstick.....	1
3	* BA55E	Crankcase assembly (includes items 2, 11 - 13, 17; includes bearing cup, pins, elbow, fittings, nipple, saber and valve).....	1
4	QD635A	Gasket, oil pan.....	1
5	BH155E	Oil pan.....	1
6	PE4	Washer, 5/16" spring lock.....	16
7	BK72A1	Engine support.....	2
8	PE37	Washer, 5/8" lock.....	4
9	XD52	Screw, 5/8"-11 thread x 1-3/4" long.....	4
10	XD14	Screw, 5/16"-18 thread x 5/8" long.....	16
11	XK7A	Pipe plug, oil drain.....	1
12	SA58	Plug, 1-3/8" expansion.....	1
13	XK1	Pipe plug, 1/8" square head.....	1
14	XA34	Screw, 1/4"-20 thread x 1/2" long.....	1
15	PE3	Washer, 1/4" spring lock.....	2
16	PG1212	Clamp, oil filler tube.....	1
17	LJ300M	Oil filler tube (replaces LJ300AD).....	1
18	LO60-1	Oil filler and breather cap.....	1

\* BA55E is standard machining number. A dash number is added for any special machining (located on marking pad).

[Return to Table of Contents](#)

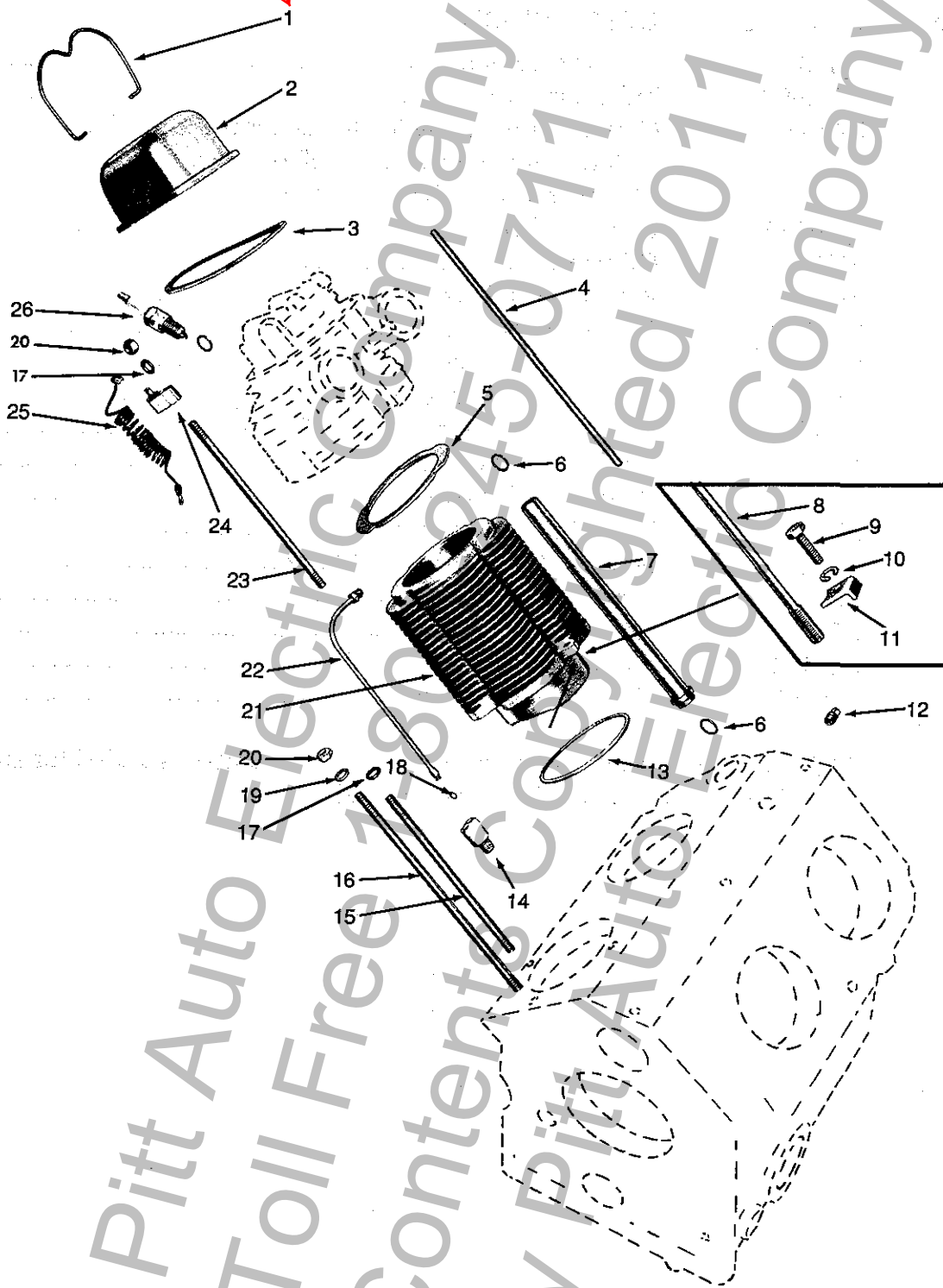
NOTE: ----- through the part no. means it has been discontinued and is not available from Wisconsin

**PITT AUTO ELECTRIC CO \* 4085 ALPHA DRIVE \* ALLISON PARK, PA 15101**

**FACTORY AUTHORIZED WISCONSIN MOTORS DISTRIBUTOR**

**TOLL FREE 1-800-245-0711 EXT 2 \* TOLL FREE FAX 1-800-551-5908**

Click the part item number for the price and availability



[Return to Table of Contents](#)

NOTE: ----- through the part no. means it has been discontinued and is not available from Wisconsin  
**PITT AUTO ELECTRIC CO \* 4085 ALPHA DRIVE \* ALLISON PARK, PA 15101**  
**FACTORY AUTHORIZED WISCONSIN MOTORS DISTRIBUTOR**  
**TOLL FREE 1-800-245-0711 EXT 2 \* TOLL FREE FAX 1-800-551-5908**

Click the part number for the price and availability

## Cylinder and Head

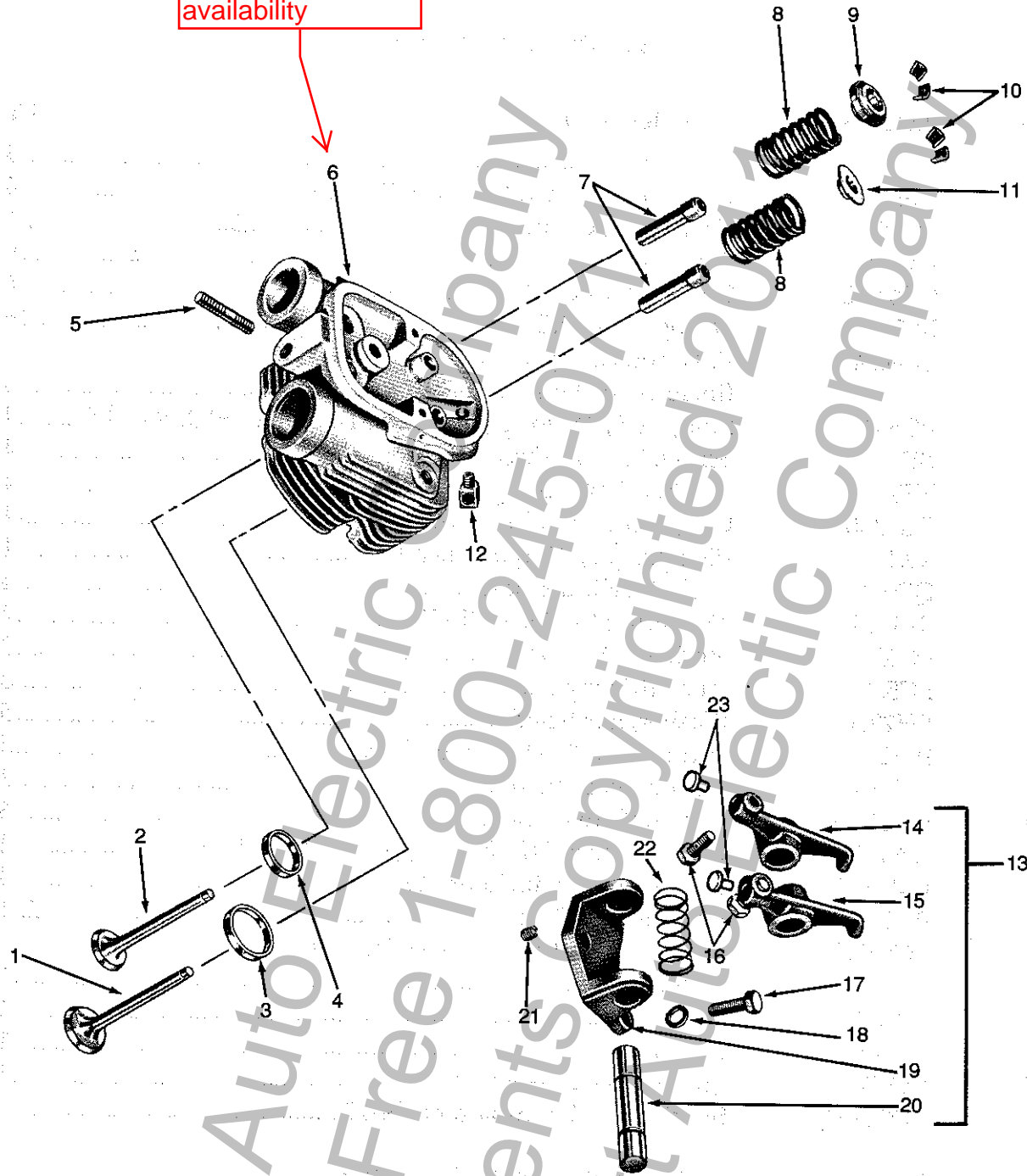
ITEM	PART NO.	DESCRIPTION	QTY
1	PK138	Wire bail.....	4
2	AN41S1	Cover, rocker arm (includes item 3) .....	4
3	QD758	Gasket, rocker arm cover.....	4
4	† FX184	Push rod.....	8
5	QD757B	Gasket, cylinder head .....	4
6	JK55	O-ring, 3/4" O.D.....	16
7	LJ392A	Push rod casing assembly (includes collar and casing) .....	8
8	PC531	Stud, 11-5/16" long (P/N PC531-A for V460D, V461D) .....	4
9	XD6	Screw, 1/4"-20 thread x 1" long .....	4
10	PE3	Washer, 1/4" spring lock.....	4
11	PG1230	Clip, cylinder hold down .....	4
12	XK1	Pipe plug, 1/8" square head .....	1
13	QD839	Gasket, cylinder base .....	4
14	RF1377A	"Y" fitting (replaces PF1377).....	2
15	PC529	Stud, 8-3/8" long .....	3
16	PC530	Stud, 10" long .....	8
17	PH22A	Washer, hardened .....	5
18	JK52	O-ring, 3/16" I.D. x 5/16" O.D. ....	5
19	PH513	Washer, hardened .....	7
20	PD252	Nut, 3/8"-16 thread .....	16
21	AA111	Cylinder barrel (P/N AA99forV460D, V461D).....	4
22	RM1351A	Oil return line (includes item 18) .....	4
23	PC529A	Stud, 8-11/16" long .....	1
24	YC66DS1	High temperature safety switch kit (includes item 25) .....	1
—	SD233	Decal .....	1
—	YC66D	Switch .....	1
25	YL357-44	Ignition wire assembly .....	1
26	YD301S1	Spark plug, Champion no. N-12Y.....	4

† For engines with serial number 5487817 and after.

[Return to Table of Contents](#)

NOTE: ----- through the part no. means it has been discontinued and is not available from Wisconsin  
**PITT AUTO ELECTRIC CO \* 4085 ALPHA DRIVE \* ALLISON PARK, PA 15101**  
**FACTORY AUTHORIZED WISCONSIN MOTORS DISTRIBUTOR**  
**TOLL FREE 1-800-245-0711 EXT 2 \* TOLL FREE FAX 1-800-551-5908**

Click the part item number for the price and availability



[Return to Table of Contents](#)

NOTE: ----- through the part no. means it has been discontinued and is not available from Wisconsin  
**PITT AUTO ELECTRIC CO \* 4085 ALPHA DRIVE \* ALLISON PARK, PA 15101**  
**FACTORY AUTHORIZED WISCONSIN MOTORS DISTRIBUTOR**  
**TOLL FREE 1-800-245-0711 EXT 2 \* TOLL FREE FAX 1-800-551-5908**

Click the part number for the price and availability

## Cylinder Head and Rocker Arm

ITEM	PART NO.	DESCRIPTION	QTY
1	AE89	Valve, inlet.....	4
2	AE88D	Valve, exhaust.....	4
3	* ---	Valve seat insert, inlet.....	4
4	* ---	Valve seat insert, exhaust.....	4
5	PC532	Stud, 7/16" x 2-3/8" long.....	4
6	AB105AS1	Cylinder head assembly (includes items 1 - 5, 7 - 12; includes head( P/N AB105S1 for V460D, V461D).....	4
7	AD44B	Valve stem guide.....	8
8	AF51	Valve spring.....	8
9	AG41	Valve rotator, exhaust.....	4
10	AH19	Lock, valve spring seat.....	16
11	AG26A	Seat, valve spring, inlet.....	4
12	RF1319	Male elbow, 1/8" P.T. x 1/4".....	4
13	FX183A	Rocker arm and bracket assembly.....	4
14	FX167B	Rocker arm assembly, exhaust (includes items 16 & 23).....	1
15	FX168B	Rocker arm assembly, inlet (includes items 16 & 23).....	1
16	PI194	Tappet adjusting screw.....	2
17	XD17	Screw, 5/16"-18 thread x 1" long.....	8
18	PE4	Washer, 5/16" spring lock.....	8
19	* ---	Bracket.....	1
20	FX169A	Rocker arm shaft.....	1
21	XE73	Lock screw, 1/4"-20 thread x 5/8" long, Allen socket head.....	1
22	PM185	Shaft spring.....	1
23	XJ61	Rivet, closed end.....	2

\* Not serviced separately.

[Return to Table of Contents](#)

NOTE: ----- through the part no. means it has been discontinued and is not available from Wisconsin

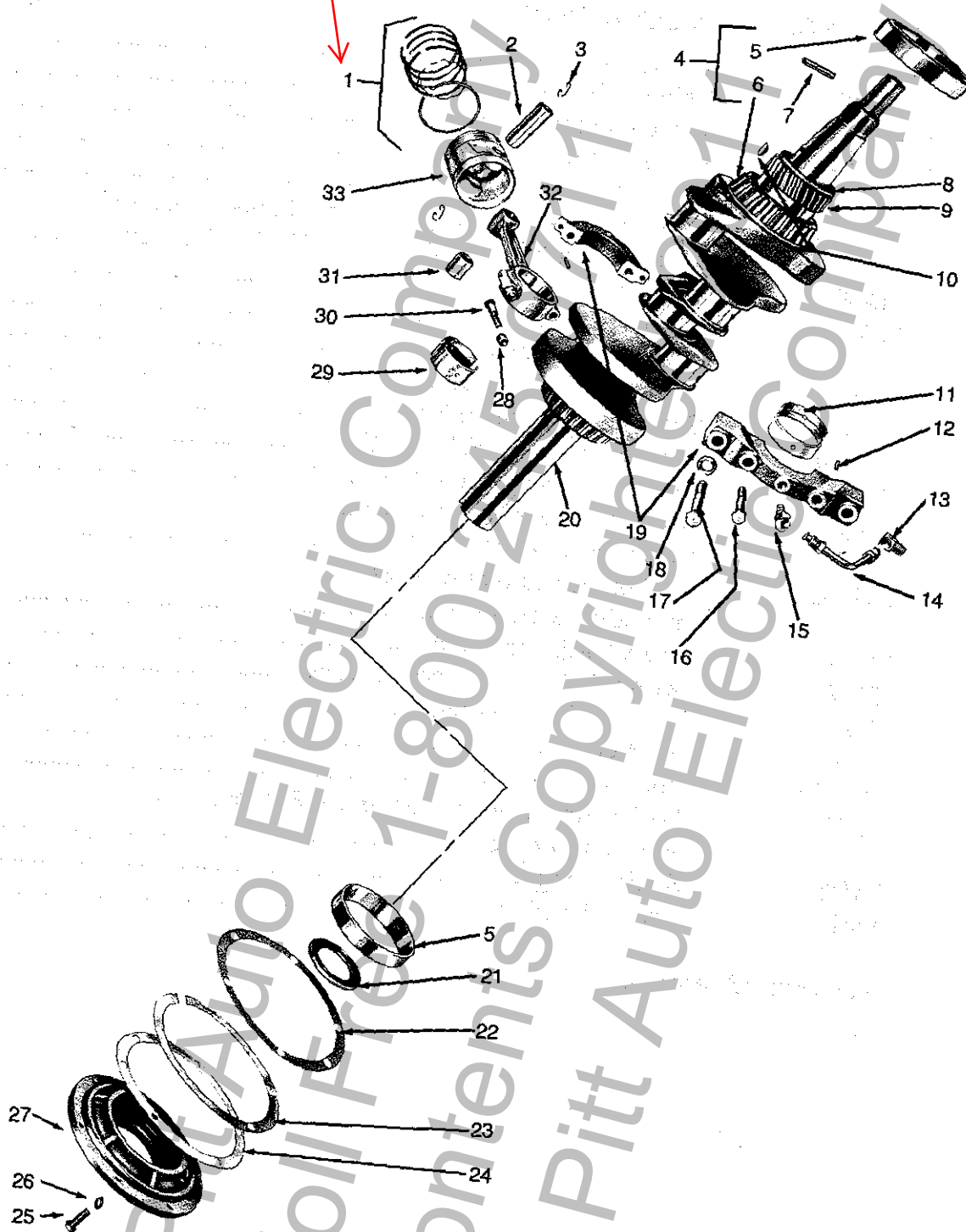
**PITT AUTO ELECTRIC CO \* 4085 ALPHA DRIVE \* ALLISON PARK, PA 15101**

**FACTORY AUTHORIZED WISCONSIN MOTORS DISTRIBUTOR**

**TOLL FREE 1-800-245-0711 EXT 2 \* TOLL FREE FAX 1-800-551-5908**



Click the part item number for the price and availability



[Return to Table of Contents](#)

NOTE: ----- through the part no. means it has been discontinued and is not available from Wisconsin  
**PITT AUTO ELECTRIC CO \* 4085 ALPHA DRIVE \* ALLISON PARK, PA 15101**  
**FACTORY AUTHORIZED WISCONSIN MOTORS DISTRIBUTOR**  
**TOLL FREE 1-800-245-0711 EXT 2 \* TOLL FREE FAX 1-800-551-5908**

Click the part number for the price and availability

## Crankshaft, Piston and Connecting Rod

ITEM	PART NO.	DESCRIPTION	QTY
1	† DR60	Piston ring set, standard (P/N DR48A for V460D, V461D)	1
2	Δ DE80	Piston pin, standard (P/N DE76 for V460D, V461D)	4
3	PK37A	Retaining ring (replaces PK37)	8
4	ME168	Main bearing assembly (includes items 5 & 6)	2
5	* ———	Bearing cup	
6	* ———	Bearing cone	
7	PA334	Pin, cranking	1
8	RK179C	Oil sling, crankshaft	1
9	‡ GA49	Crankshaft gear	1
10	PL156	Key, no. 91 Woodruff	1
11	HA137S	Shell bearing, 2 halves, standard, center main bearing	1
—	HA137S1	Undersize bearing, .001"	1
—	HA137S2	Undersize bearing, .002"	1
—	HA137S10	Undersize bearing, .010"	1
—	HA137S20	Undersize bearing, .020"	1
12	PA368	Dowel pin	2
13	RF1299	Elbow	1
14	RM1513A	Oil line, 5/16" tubing with nuts	1
15	RF1511	Elbow, 45°	1
16	XD176	Screw, 3/8"-16 thread x 2-1/2" long	2
17	XB120	Screw, 7/16"-14 thread x 2-1/2" long	2
18	PH79	Washer, 7/16" hardened	2
19	BG353A	Center main bearing hanger assembly, without shell bearings (includes item 12; replaces BG353)	1
20	** CA75C	Crankshaft assembly (includes items 4, 8 - 11)	1
21	PH496B	Oil seal (replaces PH496)	1
22	QD761A	Gasket, main bearing plate, .006" thick	2
23	QF93A	Shim, main bearing plate, .014" thick	1
24	QD761	Gasket, main bearing plate, .003" thick	2

\* Not serviced separately.

Δ Also available .005" and .010" oversize.

‡ For engines with serial number 5075776 and after.

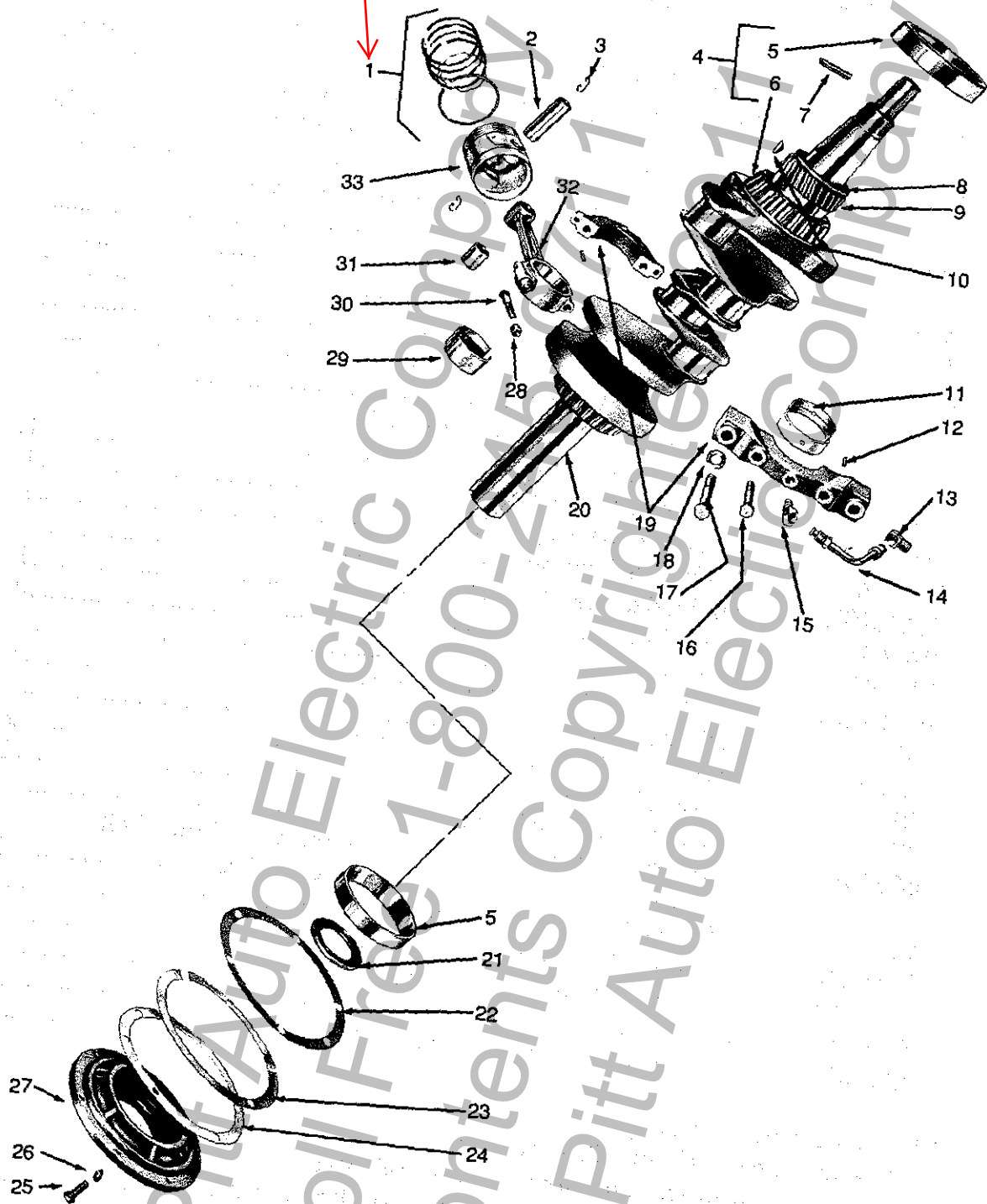
\*\* CA75C is standard machining number. A dash number is added for any special machining (located on marking pad).

[Return to Table of Contents](#)

[Continued Next Page](#)

NOTE: ----- through the part no. means it has been discontinued and is not available from Wisconsin  
**PITT AUTO ELECTRIC CO \* 4085 ALPHA DRIVE \* ALLISON PARK, PA 15101**  
**FACTORY AUTHORIZED WISCONSIN MOTORS DISTRIBUTOR**  
**TOLL FREE 1-800-245-0711 EXT 2 \* TOLL FREE FAX 1-800-551-5908**

Click the part item number for the price and availability



[Return to Table of Contents](#)

NOTE: ----- through the part no. means it has been discontinued and is not available from Wisconsin  
**PITT AUTO ELECTRIC CO \* 4085 ALPHA DRIVE \* ALLISON PARK, PA 15101**  
**FACTORY AUTHORIZED WISCONSIN MOTORS DISTRIBUTOR**  
**TOLL FREE 1-800-245-0711 EXT 2 \* TOLL FREE FAX 1-800-551-5908**  
**Page 11**

Click the part number for the price and availability

**Crankshaft, Piston and Connecting Rod (cont.)**

ITEM	PART NO.	DESCRIPTION	QTY
25	XD29C	Screw, 3/8"-16 thread x 1-1/4" long .....	6
26	PE5	Washer, 3/8" spring lock .....	6
27	BG308S2	Main bearing plate assembly, standard (includes items 5 and 21) .....	1
28	PD247	Locknut, 3/8"-24 thread (replaces PD200) .....	8
29	HA120DS	Shell bearing, 2 halves, standard, connecting rod .....	4
—	HA120DS1	Undersize bearing, .001" .....	1
—	HA120DS2	Undersize bearing, .002" .....	1
—	HA120DS10	Undersize bearing, .010" .....	1
—	HA120DS20	Undersize bearing, .020" .....	1
30	PB146-2	Connecting rod bolt .....	8
31	HG131C	Piston pin bushing (replaces HG131B) .....	1
32	DA71AS1	Connecting rod assembly (includes items 28, 30 - 31; replaces DA71S1) .....	4
33	† DB232	Piston, standard, cam ground (P/N DB223 for V460D, V461D) .....	4

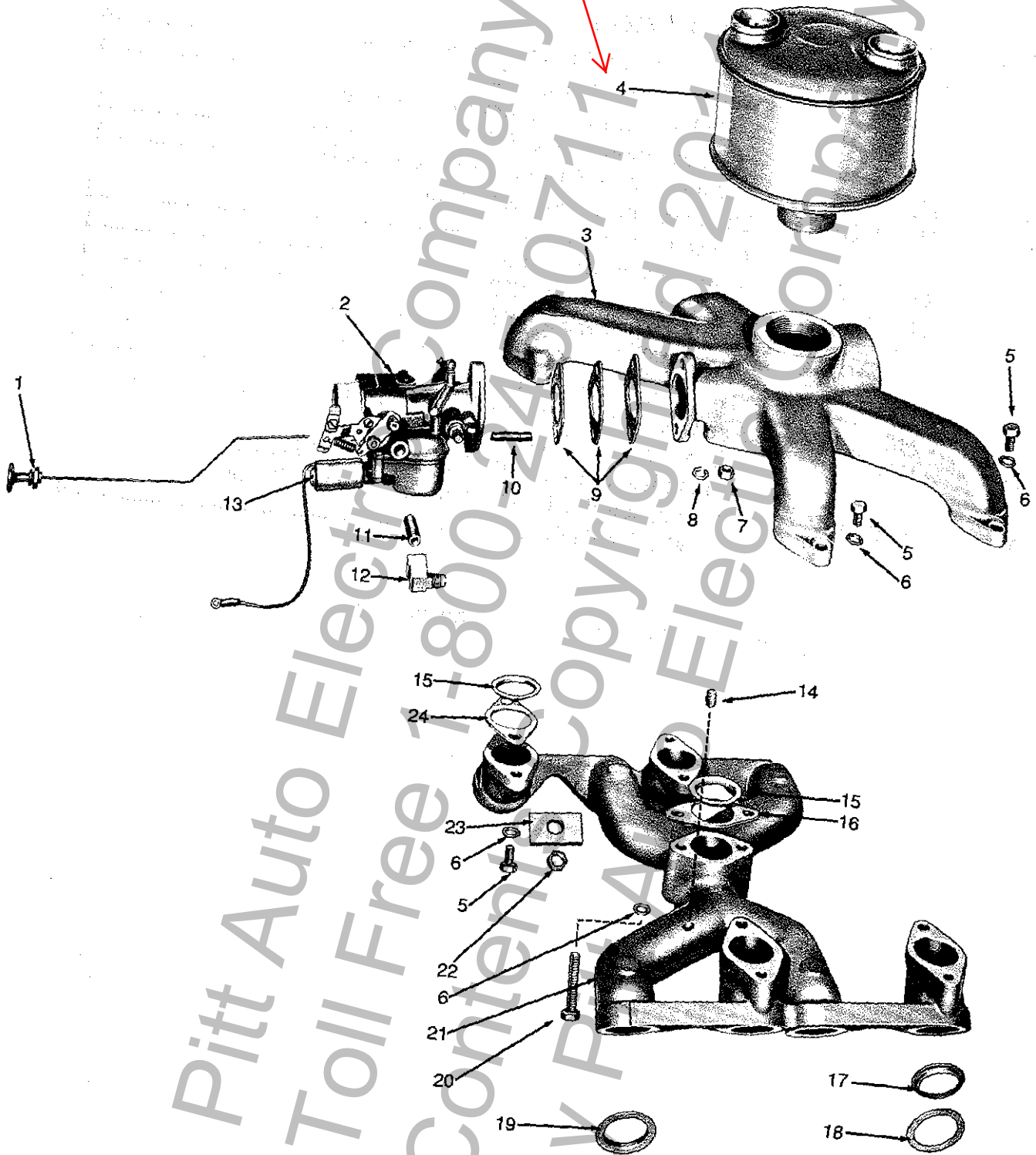
† Also available .010", .020" and .030" oversize.

Pitt Auto Electric  
Toll Free 1-800-245-0711  
Contents Copyrighted  
By Pitt Auto Electric Company

[Return to Table of Contents](#)

NOTE: ----- through the part no. means it has been discontinued and is not available from Wisconsin  
**PITT AUTO ELECTRIC CO \* 4085 ALPHA DRIVE \* ALLISON PARK, PA 15101**  
**FACTORY AUTHORIZED WISCONSIN MOTORS DISTRIBUTOR**  
**TOLL FREE 1-800-245-0711 EXT 2 \* TOLL FREE FAX 1-800-551-5908**

Click the part item number for the price and availability



[Return to Table of Contents](#)

NOTE: ----- through the part no. means it has been discontinued and is not available from Wisconsin  
**PITT AUTO ELECTRIC CO \* 4085 ALPHA DRIVE \* ALLISON PARK, PA 15101**  
**FACTORY AUTHORIZED WISCONSIN MOTORS DISTRIBUTOR**  
**TOLL FREE 1-800-245-0711 EXT 2 \* TOLL FREE FAX 1-800-551-5908**

Click the part number for the price and availability

## Carburetor and Manifold

ITEM	PART NO.	DESCRIPTION	QTY
1	VE693A	Choke control .....	1
2	* LZ77GS1	Carburetor assembly, Zenith outline No. 12708 .....	1
—	LQ37	Carburetor repair kit .....	1
3	LD258DS1	Manifold assembly, upper, exhaust (includes items 5 and 20; replaces LD258BS1) .....	1
4	WD58A	Exhaust muffler .....	1
5	XD17B	Screw, 5/16"-18 thread x 7/8" long .....	8
6	PH501	Plain washer .....	10
7	PD205	Nut, 5/16"-24 thread .....	2
8	PE4	Washer, 5/16" spring lock .....	2
9	QC12A	Gasket, carburetor flange .....	3
10	PC171	Stud, 5/16" x 1-5/16" long .....	2
11	RF934-1	Pipe nipple, 1/8" x 1" long .....	1
12	RF1421	Elbow, carburetor fuel inlet .....	1
13	YC83AS1	Anti-diesel solenoid valve (includes locking tab) .....	1
14	XK1	Pipe plug, 1/8" square head .....	1
15	QB85	Insert bushing .....	5
16	QC70	Gasket, upper to lower manifold .....	1
17	QB83	Insert bushing .....	4
18	QC66	Gasket, exhaust port .....	4
19	QB85B	Gasket with insert .....	4
20	XD162	Screw, 5/16"-18 thread x 2-1/2" long .....	2
21	LD257CS1	Manifold assembly, lower, inlet (includes 5 and 14) .....	1
22	PD207	Nut, 7/16"-20 thread .....	4
23	PH484	Clamp washer .....	4
24	QC67	Gasket, exhaust .....	4

\* See "Carburetors" in Options and Accessories section of this manual for service parts.

[Return to Table of Contents](#)

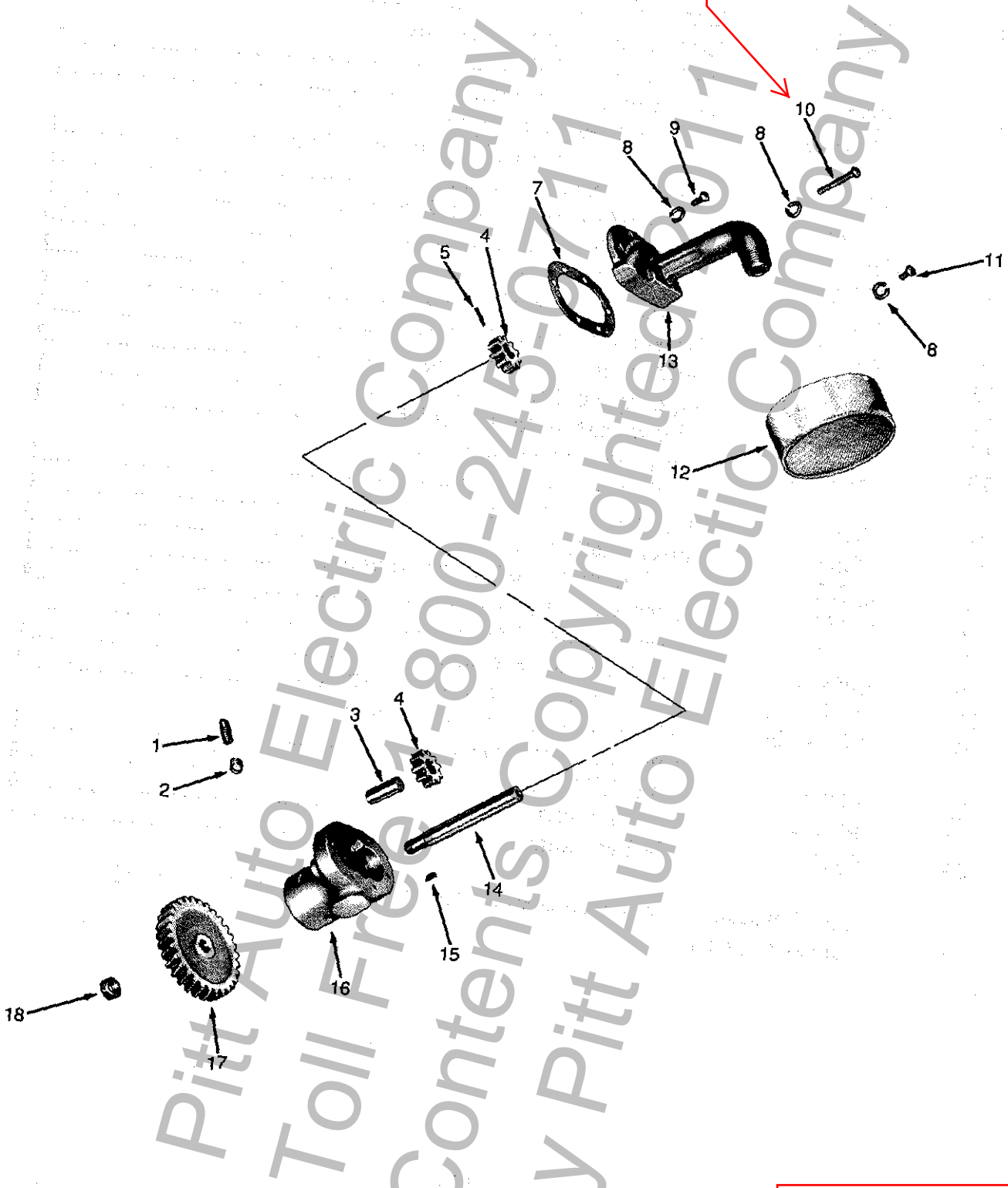
NOTE: ----- through the part no. means it has been discontinued and is not available from Wisconsin

**PITT AUTO ELECTRIC CO \* 4085 ALPHA DRIVE \* ALLISON PARK, PA 15101**

**FACTORY AUTHORIZED WISCONSIN MOTORS DISTRIBUTOR**

**TOLL FREE 1-800-245-0711 EXT 2 \* TOLL FREE FAX 1-800-551-5908**

Click the part item number for the price and availability



[Return to Table of Contents](#)

NOTE: ----- through the part no. means it has been discontinued and is not available from Wisconsin  
**PITT AUTO ELECTRIC CO \* 4085 ALPHA DRIVE \* ALLISON PARK, PA 15101**  
**FACTORY AUTHORIZED WISCONSIN MOTORS DISTRIBUTOR**  
**TOLL FREE 1-800-245-0711 EXT 2 \* TOLL FREE FAX 1-800-551-5908**  
**Page 15**

Click the part number for the price and availability

## Oil Pump

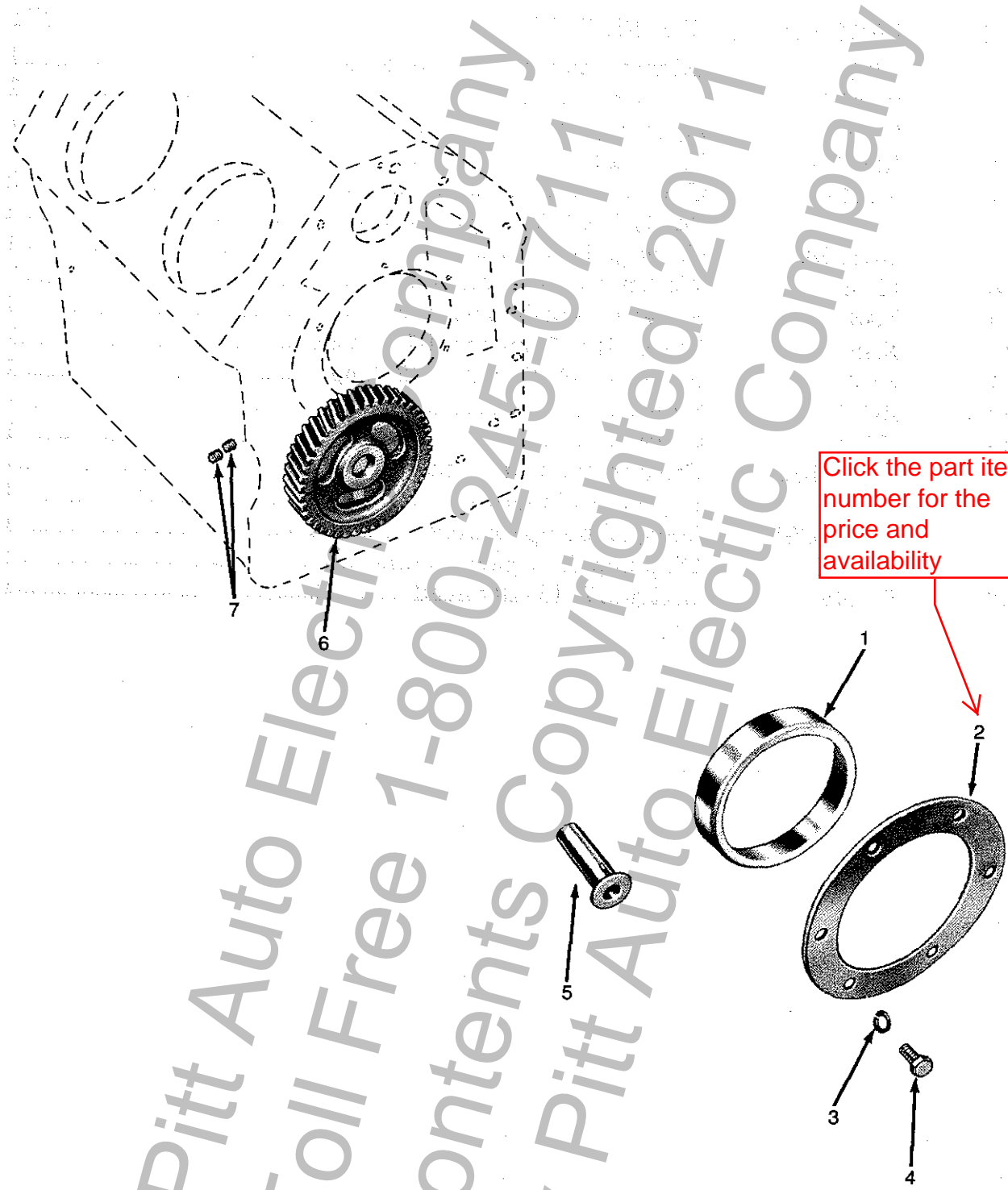
ITEM	PART NO.	DESCRIPTION	QTY
—	K130	Oil pump assembly (includes items 1-18)	1
1	PI143B	Lock screw	1
2	PF18	Pipe plug, 1/8" slotted	1
3	KD122A	Stub shaft	1
4	KC66	Gear	2
5	PA64	Pin, 1/8" x 3/4" long	2
7	QD535A	Cover gasket	1
8	PE14	Washer, #10 spring lock	7
9	XA8	Screw, #10-32 thread x 1/2" long	4
10	XA56	Screw, #10-32 thread x 1-1/4" long	2
11	XA7	Screw, #10-32 thread x 3/8" long	2
12	RD151	Screen	1
13	KB53	Cover	1
14	KD121BS2	Drive shaft (includes gear)	1
15	PL137	Key, no. 1 Woodruff	1
16	KA61D2S1	Body, oil pump (includes gear and shaft)	1
17	GD94C	Oil pump drive gear, external	1
18	PD195	Locknut, 7/16"-20 thread	1

Pitt Auto Electric  
Toll Free 1-800-245-0711  
Contents Copyrighted  
By Pitt Auto Electric Company

[Return to Table of Contents](#)

**NOTE: ----- through the part no. means it has been discontinued and is not available from Wisconsin**  
**PITT AUTO ELECTRIC CO \* 4085 ALPHA DRIVE \* ALLISON PARK, PA 15101**  
**FACTORY AUTHORIZED WISCONSIN MOTORS DISTRIBUTOR**  
**TOLL FREE 1-800-245-0711 EXT 2 \* TOLL FREE FAX 1-800-551-5908**  
 Page 16





Click the part item number for the price and availability

[Return to Table of Contents](#)

NOTE: ----- through the part no. means it has been discontinued and is not available from Wisconsin  
**PITT AUTO ELECTRIC CO \* 4085 ALPHA DRIVE \* ALLISON PARK, PA 15101**  
**FACTORY AUTHORIZED WISCONSIN MOTORS DISTRIBUTOR**  
**TOLL FREE 1-800-245-0711 EXT 2 \* TOLL FREE FAX 1-800-551-5908**  
 Page 17

Click the part number for the price and availability

## Idler Gear, Bearing Retainer and Oil Collet

ITEM	PART NO.	DESCRIPTION	QTY
1	* — — —	Bearing cup.....	1
2	BG352	Bearing retainer plate.....	1
3	PE4	Washer, 5/16" spring lock.....	6
4	XD15	Screw, 5/16"-18 thread x 3/4" long.....	6
5	† PJ105-3	Stud, idler gear.....	1
6	† GC28	Idler gear assy. (includes HG279 bushing).....	1
7	XE55	Screw, 5/16"-18 thread x 3/8" long, Allen head set.....	2

\* Not serviced separately.

† For engines with serial number 5075776 and after.

Pitt Auto Electric Company  
 Toll Free 1-800-245-0711  
 Contents Copyrighted 2011  
 Pitt Auto Electric Company

[Return to Table of Contents](#)

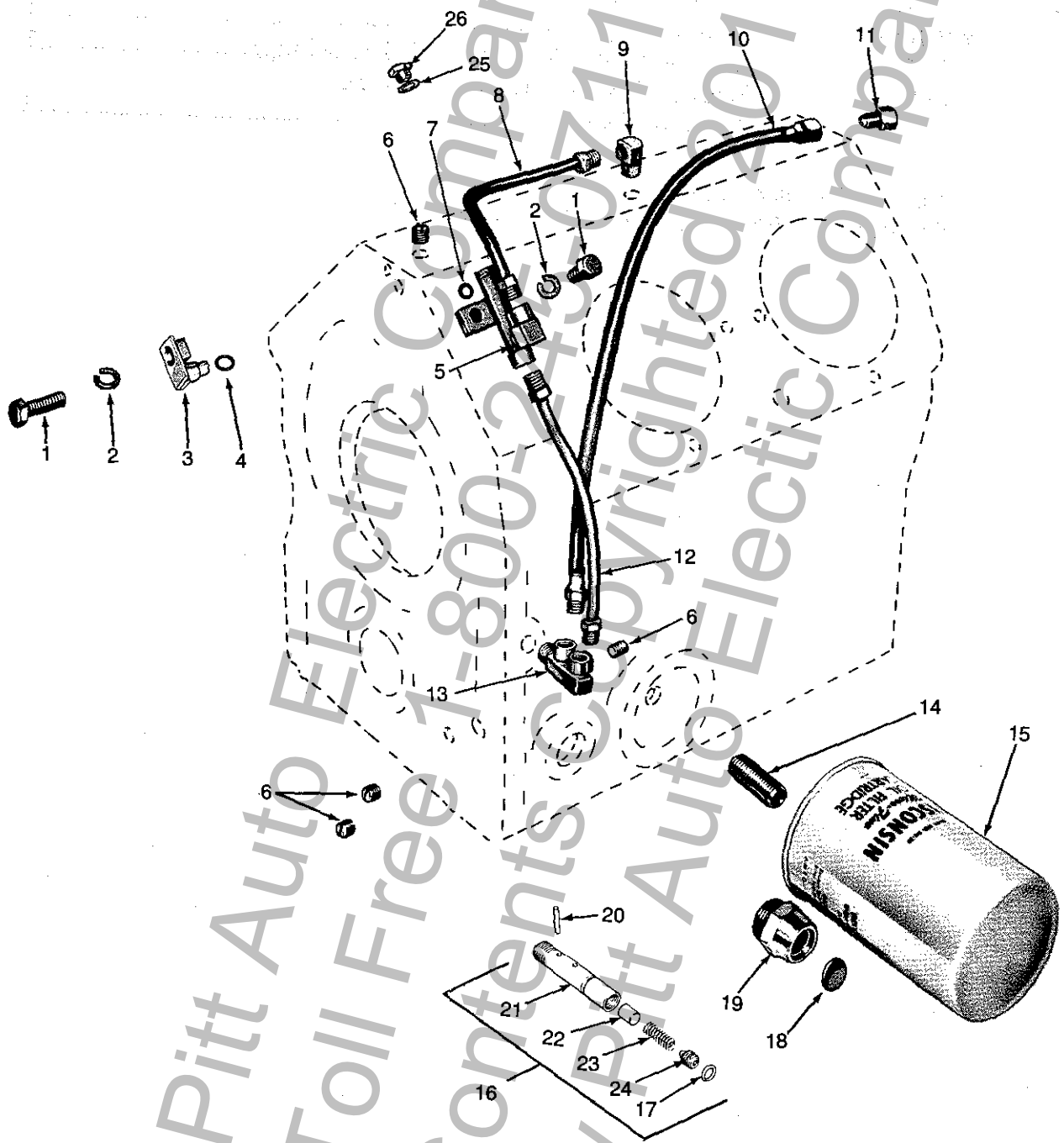
NOTE: ----- through the part no. means it has been discontinued and is not available from Wisconsin

**PITT AUTO ELECTRIC CO \* 4085 ALPHA DRIVE \* ALLISON PARK, PA 15101**

**FACTORY AUTHORIZED WISCONSIN MOTORS DISTRIBUTOR**

**TOLL FREE 1-800-245-0711 EXT 2 \* TOLL FREE FAX 1-800-551-5908**

Click the part item number for the price and availability



[Return to Table of Contents](#)

NOTE: ----- through the part no. means it has been discontinued and is not available from Wisconsin  
**PITT AUTO ELECTRIC CO \* 4085 ALPHA DRIVE \* ALLISON PARK, PA 15101**  
**FACTORY AUTHORIZED WISCONSIN MOTORS DISTRIBUTOR**  
**TOLL FREE 1-800-245-0711 EXT 2 \* TOLL FREE FAX 1-800-551-5908**

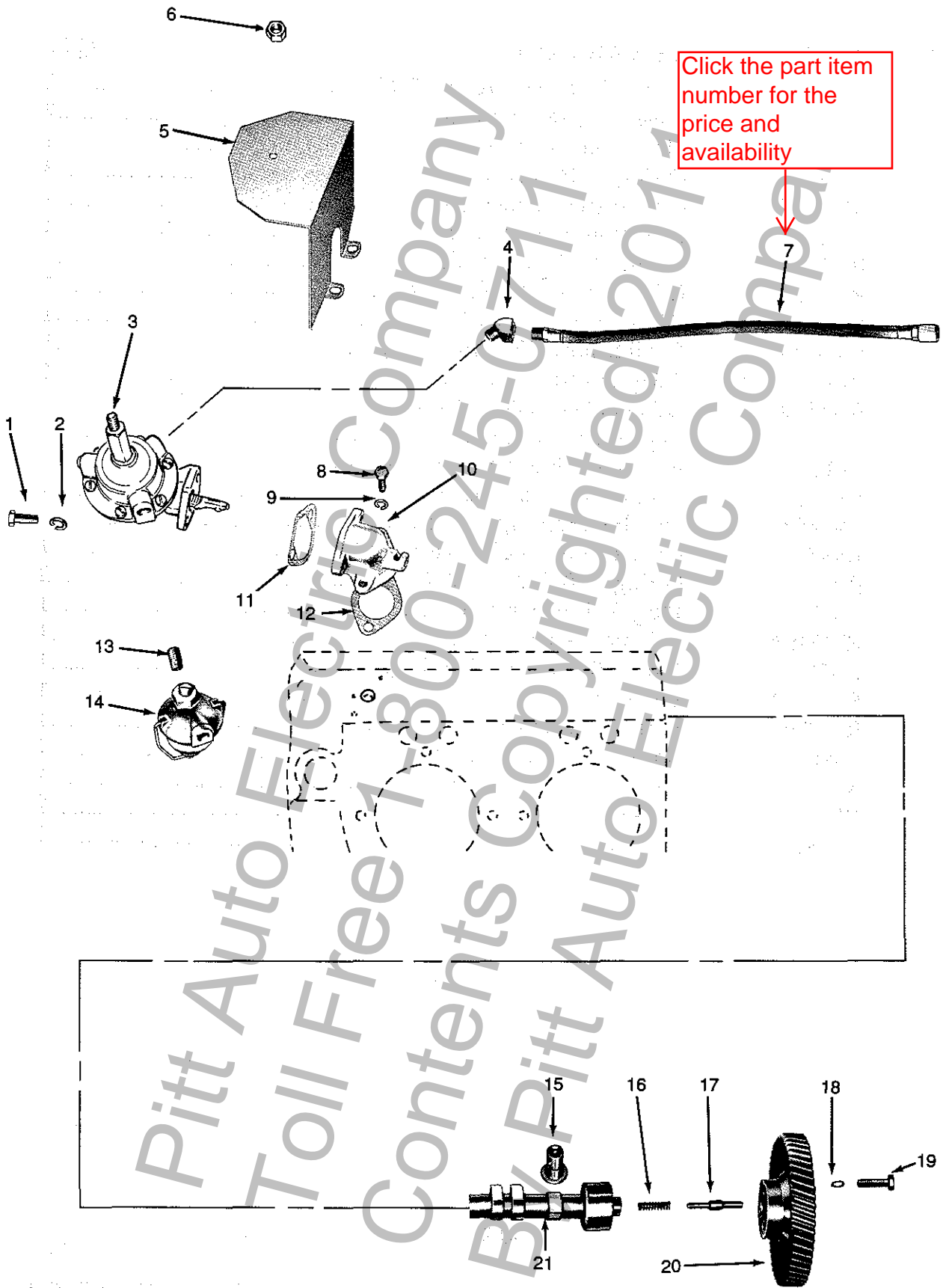
Click the part number for the price and availability

## Oil Lines, Pressure Valve, Relief Valve and Oil Filter

ITEM	PART NO.	DESCRIPTION	QTY
1	XD14	Screw, 5/16"-18 thread x 5/8" long .....	2
2	PE4	Washer, 5/16" spring lock.....	2
3	RF1514	Elbow, oil spray (replaces RF1375A).....	1
4	JK53	O-ring, 5/16" I.D. x 7/16" O.D. ....	3
5	RV41AS1	Oil pressure reducing valve .....	1
6	PF18	Pipe plug, 1/8" slotted .....	4
7	JK75	O-ring, 3/16" I.D. x 3/8" O.D. ....	1
8	RM845A	Oil line, 1/4" x 8-1/2" long .....	1
9	RF1319	Elbow, 1/8" P.T. x 1/4" .....	1
10	RM1049E	Flexible hose, 19" long.....	1
11	RF1374	Adapter fitting .....	1
12	RM850A	Oil line, 1/4" x 7-1/2" long (replaces RM1122B).....	1
13	RF1420	Fitting, oil line connections to case .....	1
14	RF1423	Nipple, oil filter mounting .....	1
15	RV38S3	Oil filter cartridge, 3 pack.....	1
16	RV48	Oil pressure relief valve assembly .....	1
17	JK56	O-ring, 3/8" I.D. x 1/2" O.D. ....	2
18	SA13	Plug, 3/4" expansion.....	1
19	RF1349A	Adapter, relief valve .....	1
20	PA259	Pin, 3/32" O.D. by 5/8" long.....	1
21	RF1388A	Body, relief valve .....	1
22	RF1389	Plunger, relief valve .....	1
23	PM111A	Spring .....	1
24	XE74	Set screw 3/8-24 .....	1
25	PH535	Washer .....	1
26	PF1S1	Plug.....	1

[Return to Table of Contents](#)

NOTE: ----- through the part no. means it has been discontinued and is not available from Wisconsin  
**PITT AUTO ELECTRIC CO \* 4085 ALPHA DRIVE \* ALLISON PARK, PA 15101**  
**FACTORY AUTHORIZED WISCONSIN MOTORS DISTRIBUTOR**  
**TOLL FREE 1-800-245-0711 EXT 2 \* TOLL FREE FAX 1-800-551-5908**



Click the part item number for the price and availability

[Return to Table of Contents](#)

Click the part number for the price and availability

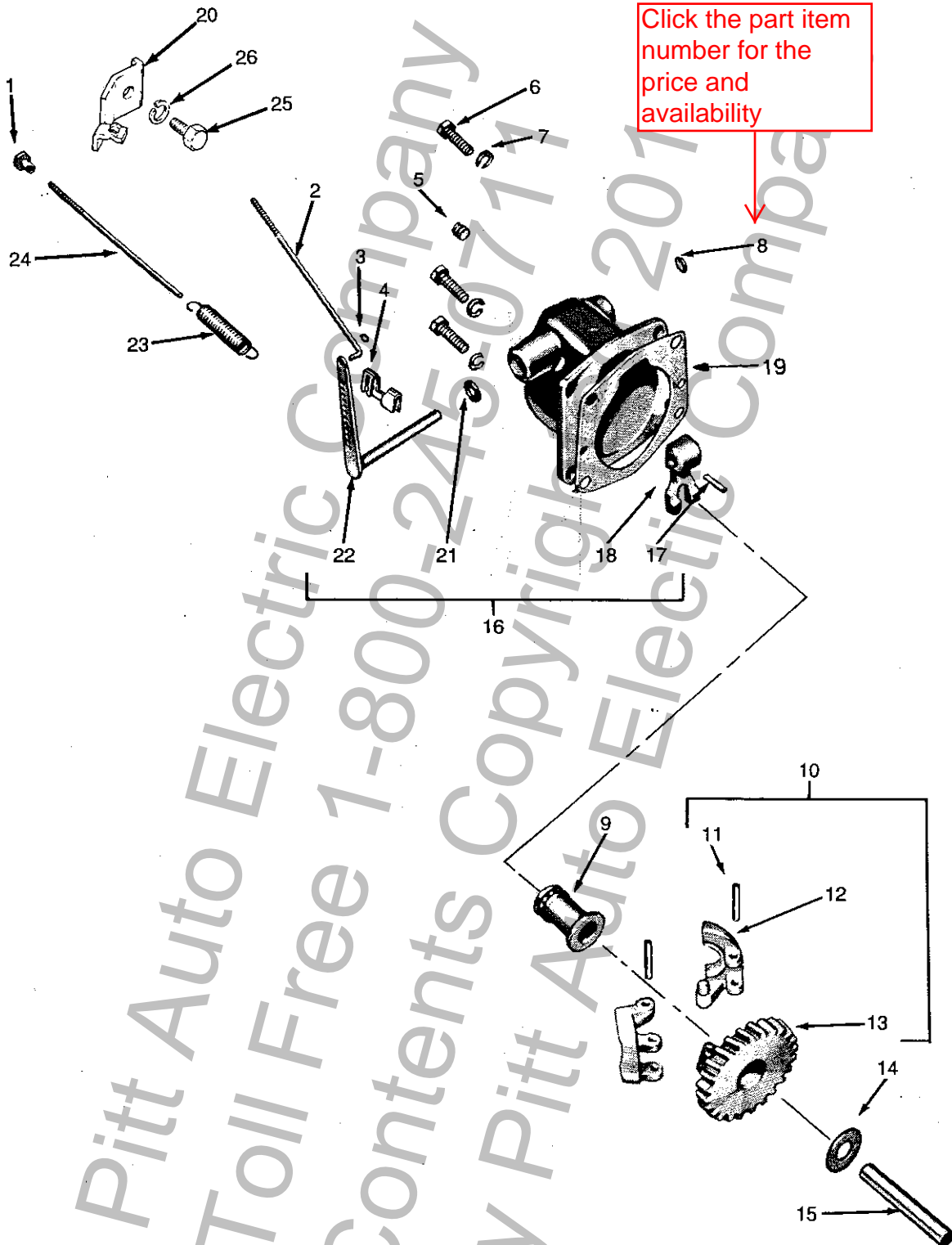
## Camshaft and Fuel Pump Mounting

ITEM	PART NO.	DESCRIPTION	QTY
1	XD14	Screw, 5/16"-18 thread x 5/8" long .....	2
2	PE4	Washer, 5/16" spring lock.....	2
3	LP38KS1	Fuel pump (replaces LP38E2S1) .....	1
—	LQ46	Repair kit .....	1
4	RF1096	Elbow, 45° .....	2
5	SE286	Heat shield.....	1
6	PD9	Nut, 1/4"-28.....	1
7	RM1049K	Flexible hose, 13" long .....	1
8	XD175	Screw, 1/4"-20 thread x 7/8" long .....	2
9	PE3	Washer, 1/4" spring lock .....	3
10	TF96-20	Adapter, less primer (includes plunger) .....	1
11	QD538A	Gasket, fuel pump mounting .....	1
12	QD67	Gasket, fuel pump adapter .....	1
13	RF794	Pipe nipple, 1/8" x 3/4" long.....	1
14	LP19B	Fuel strainer.....	1
—	LQ32	Repair kit .....	1
15	F67B	Valve tappet .....	8
16	PM108	Spring, camshaft thrust plunger .....	1
17	PF101	Thrust plunger, camshaft .....	1
18	PE46	Lock washer, 5/16" external tooth .....	3
19	XD19	Screw, 5/16"-18 thread x 1-1/4" long .....	3
20	† GB46	Camshaft gear .....	1
21	EA132	Camshaft.....	1

† For engines with serial number 5075776 and after.

[Return to Table of Contents](#)

NOTE: ----- through the part no. means it has been discontinued and is not available from Wisconsin  
**PITT AUTO ELECTRIC CO \* 4085 ALPHA DRIVE \* ALLISON PARK, PA 15101**  
**FACTORY AUTHORIZED WISCONSIN MOTORS DISTRIBUTOR**  
**TOLL FREE 1-800-245-0711 EXT 2 \* TOLL FREE FAX 1-800-551-5908**



NOTE: ----- through the part no. means it has been discontinued and is not available from Wisconsin  
**PITT AUTO ELECTRIC CO \* 4085 ALPHA DRIVE \* ALLISON PARK, PA 15101**  
**FACTORY AUTHORIZED WISCONSIN MOTORS DISTRIBUTOR**  
**TOLL FREE 1-800-245-0711 EXT 2 \* TOLL FREE FAX 1-800-551-5908**

Click the part number for the price and availability

## GOVERNOR

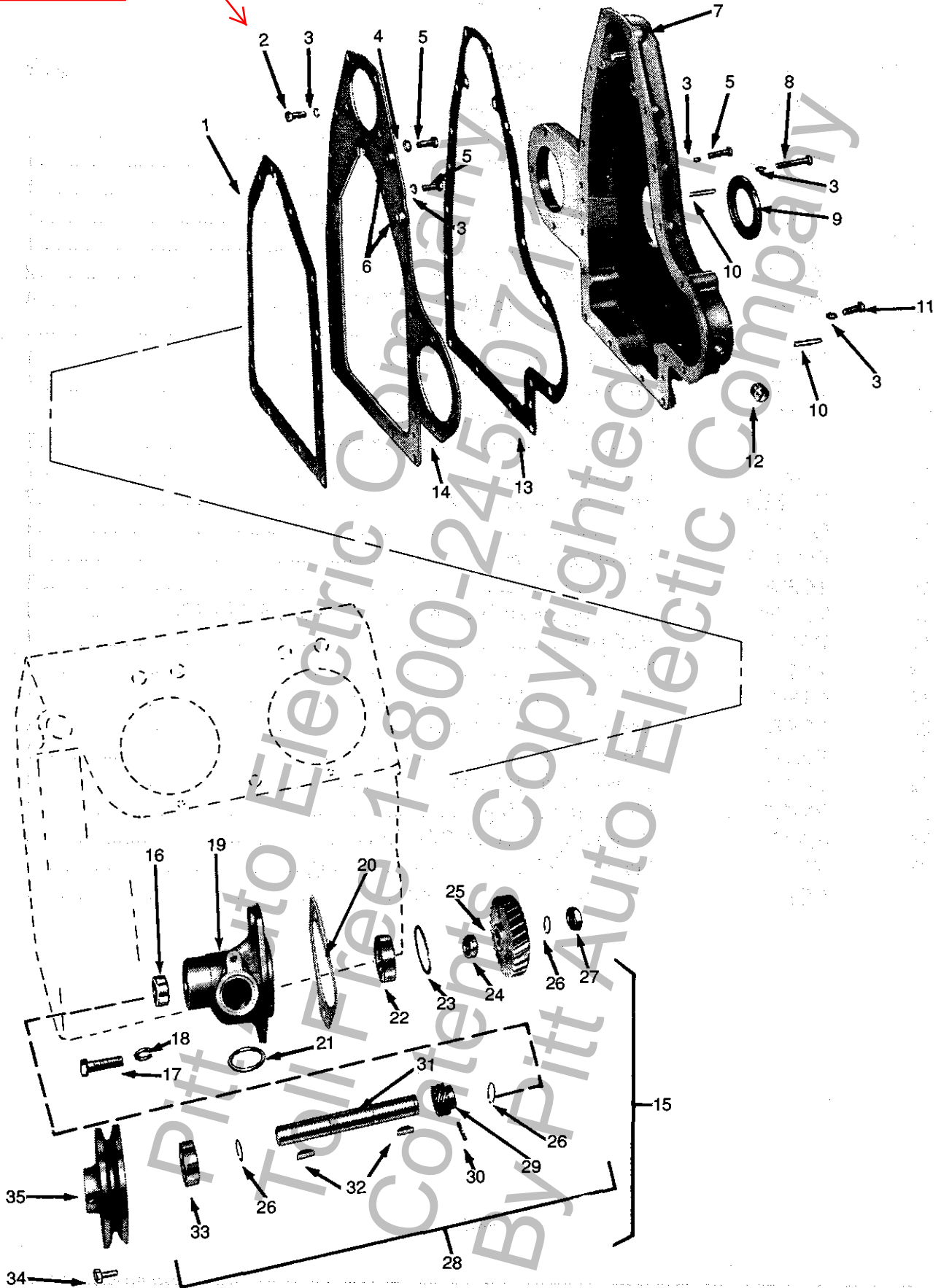
ITEM	PART NO.	DESCRIPTION	QTY.
—	T134M	Governor assembly (includes items 2-4 & 16-23)	1
1	PD173A	Nut, adjusting screw	1
2	VE876S1	Control rod, governor to carb (includes item 4)	1
3	PH332	Washer, flat, 1/8" I.D. x 5/16" O.D.	1
4	PK81	Clip, left hand	1
5	XK121	Plug, 1/8" pipe, Allen head, countersunk	2
6	XD16B	Screw, 5/16-18 x 7/8" long	4
7	PE4	Washer, 5/16", spring lock	4
8	SA52	Plug, 1/2" expansion	1
9	TC391D	Thrust sleeve and bearing	1
10	TC535S1	Gear and flyweight assembly (includes items 11-14)	1
11	PA340	Roll pin, 3/16" x 1-1/8" long	2
12	TC322DS1	Flyweight assembly	2
13	GD150	Gear	1
14	PH313A	Washer, flat, 3/8" nom, bushing	1
15	TC388-1	Governor shaft	1
16	TC395S14	Housing assembly (includes items 8, 17, 18, 21 & 22)	1
17	PA367	Roll pin, 1/8" x 3/4" long	1
18	VB151	Yoke	1
19	QD615B	Gasket, housing	1
20	PG972	Bracket, governor control	1
21	PH571	Oil seal	1
22	TC398	Cross shaft and lever	1
23	PM173	Spring, governor	1
24	PI145-1	Screw, adjusting, #10-32 x 6-3/4" long	1
25	XD4	Screw, 1/4-20 x 1-1/2" long	1
26	PE3	Washer, 1/4", spring lock	1

[Return to Table of Contents](#)

**NOTE: ----- through the part no. means it has been discontinued and is not available from Wisconsin**  
**PITT AUTO ELECTRIC CO \* 4085 ALPHA DRIVE \* ALLISON PARK, PA 15101**  
**FACTORY AUTHORIZED WISCONSIN MOTORS DISTRIBUTOR**  
**TOLL FREE 1-800-245-0711 EXT 2 \* TOLL FREE FAX 1-800-551-5908**



Click the part item number for the price and availability



[Return to Table of Contents](#)

Click the part number for the price and availability

## Gear Cover and Accessory Drive

ITEM	PART NO.	DESCRIPTION	QTY
1	QD633-1	Gasket, spacer plate to crankcase.....	1
2	XD15	Screw, 5/16"-18 thread x 3/4" long.....	2
3	PE4	Washer, 5/16" spring lock.....	17
4	PH14	Washer, 5/16" I.D. x 19/32" O.D.....	1
5	XD14	Screw, 5/16"-18 thread x 5/8" long.....	5
6	PD228	Fastener, spacer plate.....	2
7	BD108S1	Gear cover assembly (includes item 9; includes plug, button and shaft).....	1
8	XD22	Screw, 5/16"-18 thread x 1-3/4" long.....	2
9	PH496C	Oil seal, crankshaft.....	1
10	PA291	Dowel pin, gear cover.....	2
11	XD19	Screw, 5/16"-18 thread x 1-1/4" long.....	8
12	XK3	Pipe plug, 3/8" square head.....	1
13	QD634	Gasket, gear cover to spacer.....	1
14	WE243-2S1	Gear cover spacer plate (includes item 6).....	1
15	† TF122Y2	Accessory drive assembly (includes items 16-20; 23-25; 27, 32, 34-35).....	1
16	PH541	Oil seal.....	1
17	XD32	Screw, 3/8"-16 thread x 2" long.....	2
18	PE5	Washer, 3/8" spring lock.....	2
19	TB141CS1	Housing assembly (includes item 21, also oil seal).....	1
20	QD616	Gasket, housing.....	1
21	JK59	O-ring, 1-1/16" I.D. x 1-5/16" O.D.....	1
22	ME139	Bearing, no. 1633-NS.....	1
23	PK107	Lock ring, bearing.....	1
24	HF470	Spacer, drive gear.....	1
25	GD120	Drive gear.....	1
26	PK108	Lock ring.....	3
27	PD79	Nut, 3/8"-16.....	2
28	JJ320G	Drive shaft assembly (includes items 20, 22 - 23, 26, 29 - 31, 33, 35; includes oil seal).....	1

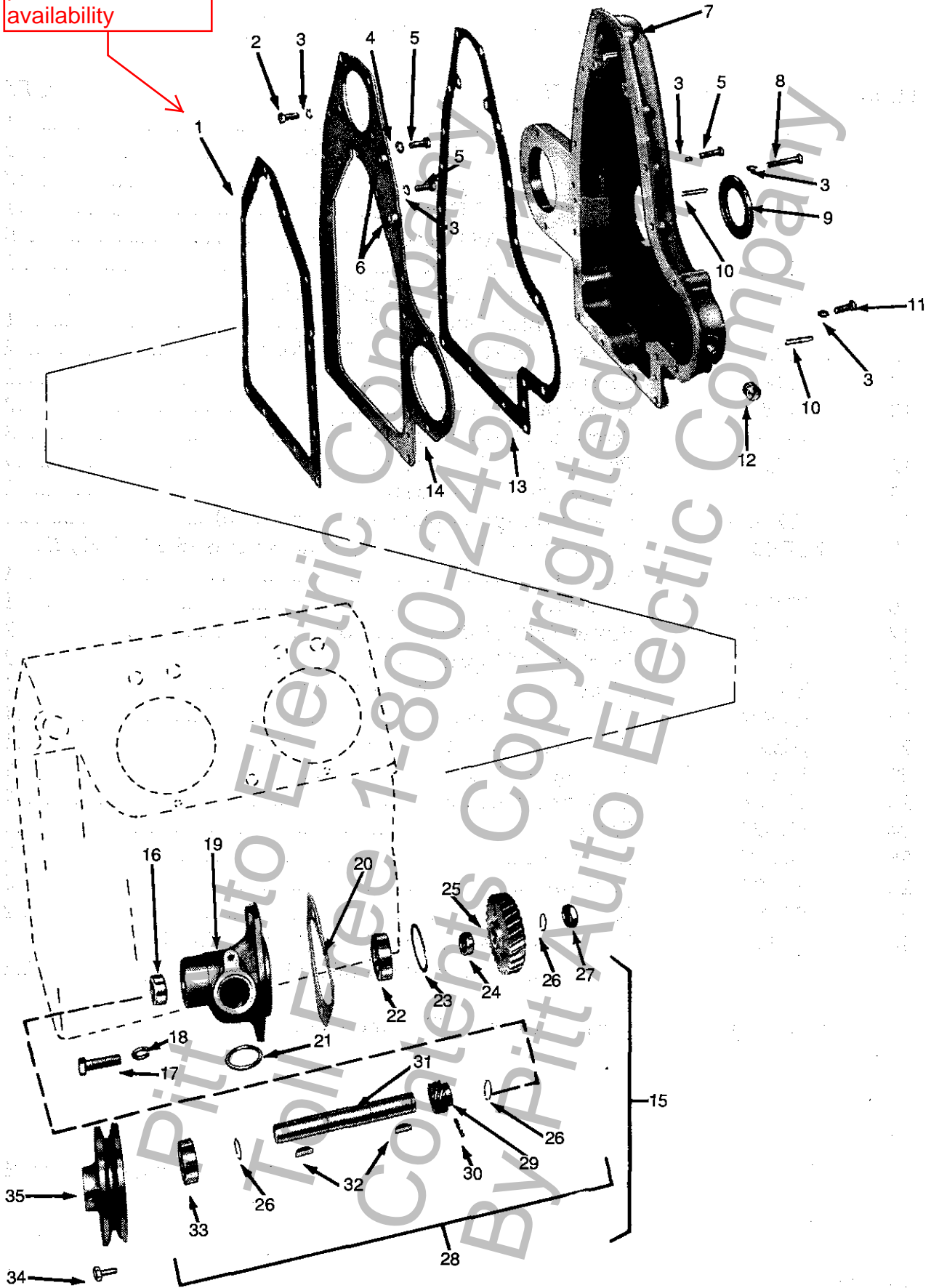
† For engines with serial number 5075776 and after.

[Return to Table of Contents](#)

[Continued Next Page](#)

NOTE: ----- through the part no. means it has been discontinued and is not available from Wisconsin  
**PITT AUTO ELECTRIC CO \* 4085 ALPHA DRIVE \* ALLISON PARK, PA 15101**  
**FACTORY AUTHORIZED WISCONSIN MOTORS DISTRIBUTOR**  
**TOLL FREE 1-800-245-0711 EXT 2 \* TOLL FREE FAX 1-800-551-5908**

Click the part item number for the price and availability



[Return to Table of Contents](#)

Click the part number for the price and availability

### Gear Cover and Accessory Drive (cont.)

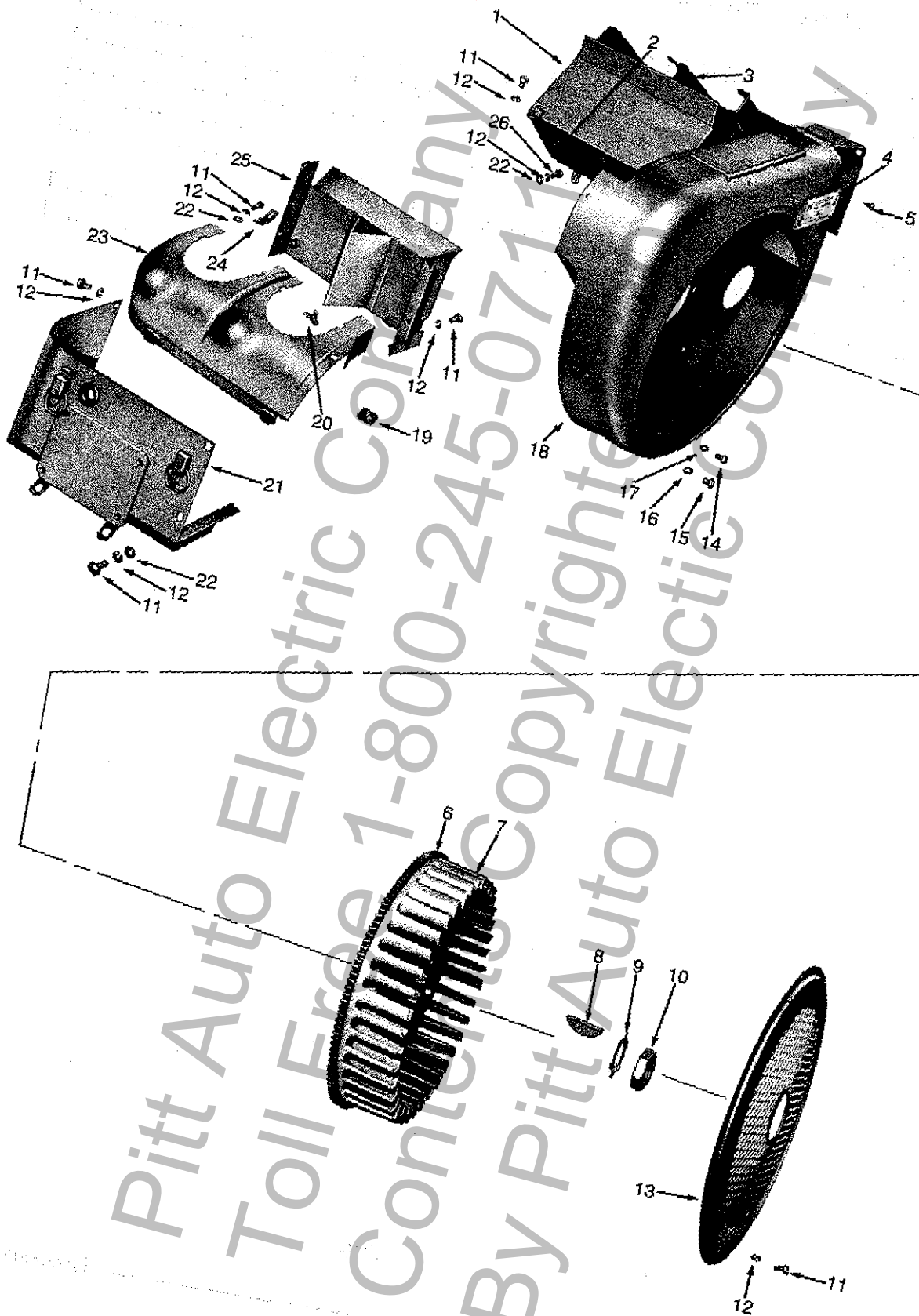
ITEM	PART NO.	DESCRIPTION	QTY
29	GF90	Gear, distributor drive .....	1
30	PA367	Pin, distributor gear, 1/8" x 3/4" long .....	1
31	JD362-1	Shaft .....	1
32	PL55	Key, no. 6 Woodruff .....	2
33	ME112	Bearing, no. 1623-NS .....	1
34	XE65	Screw, #10-32 thread x 1/4" long, Allen head set .....	1
35	MD363-1	Drive pulley .....	1

Pitt Auto Electric Company  
 Toll Free 1-800-245-0711  
 Contents Copyrighted 2011  
 Pitt Auto Electric Company

[Return to Table of Contents](#)

NOTE: ----- through the part no. means it has been discontinued and is not available from Wisconsin  
**PITT AUTO ELECTRIC CO \* 4085 ALPHA DRIVE \* ALLISON PARK, PA 15101**  
**FACTORY AUTHORIZED WISCONSIN MOTORS DISTRIBUTOR**  
**TOLL FREE 1-800-245-0711 EXT 2 \* TOLL FREE FAX 1-800-551-5908**  
 Page 28

Click the part item number for the price and availability



[Return to Table of Contents](#)

Click the part number for the price and availability

## Flywheel and Air Shrouding

ITEM	PART NO.	DESCRIPTION	QTY
1	SE241A	Heat deflector, right side .....	1
2	SE240A	Cylinder shroud, right side .....	1
3	SE242A	Cylinder head cover, right side .....	1
4	SD312A	Engine name plate .....	1
5	XA67	Screw, #4 x 1/4" long .....	4
6	GH43	Ring gear .....	1
7	N116	Flywheel assembly (includes item 6; replaces NC194ST) .....	1
8	PL145	Key, special Woodruff .....	1
9	PE85	Lock washer, flywheel nut .....	1
10	PD193-1	Nut, flywheel mounting (replaces PD193-2) .....	1
11	XA33	Screw, 1/4"-20 thread x 3/8" long .....	8
12	PE3	Washer, 1/4" spring lock .....	8
13	SE48	Screen, flywheel shroud .....	1
14	XD172	Screw, 5/16"-18 thread x 1/2" long .....	4
15	XD171	Screw, 3/8"-16 thread x 1/2" long .....	2
16	PE80A	Washer, 3/8" internal tooth .....	2
17	PE4	Washer, 5/16" spring lock .....	4
18	SE239A	Flywheel shroud .....	1
19	PG1039	Speed nut .....	2
20	PI230	Thumb screw .....	2
21	SE240	Cylinder shroud, left side .....	1
22	PH84	Washer, 1/4" I.D. x 1/2" O.D. x 1/16" thick .....	6
23	SE242	Cylinder head cover, left side .....	1
24	PG1050	Bracket, heat deflector, left side .....	1
25	SE241-4	Heat deflector, left side (replaces SE241) .....	1
26	XA34	Screw, 1/4"-20 thread x 1/2" long .....	2

[Return to Table of Contents](#)

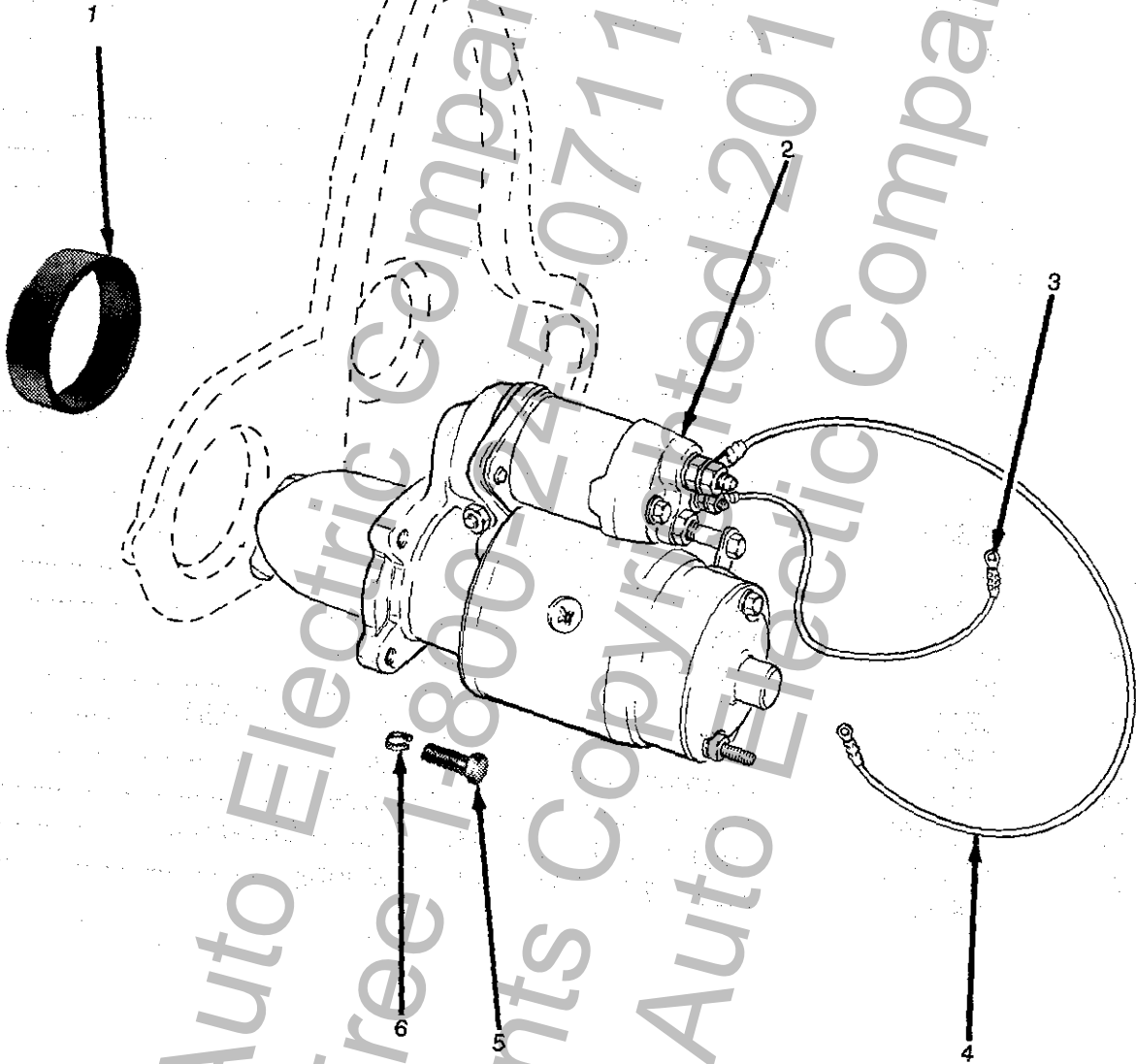
NOTE: ----- through the part no. means it has been discontinued and is not available from Wisconsin

**PITT AUTO ELECTRIC CO \* 4085 ALPHA DRIVE \* ALLISON PARK, PA 15101**

**FACTORY AUTHORIZED WISCONSIN MOTORS DISTRIBUTOR**

**TOLL FREE 1-800-245-0711 EXT 2 \* TOLL FREE FAX 1-800-551-5908**

Click the part item number for the price and availability



[Return to Table of Contents](#)

NOTE: ----- through the part no. means it has been discontinued and is not available from Wisconsin  
**PITT AUTO ELECTRIC CO \* 4085 ALPHA DRIVE \* ALLISON PARK, PA 15101**  
**FACTORY AUTHORIZED WISCONSIN MOTORS DISTRIBUTOR**  
**TOLL FREE 1-800-245-0711 EXT 2 \* TOLL FREE FAX 1-800-551-5908**

Click the part item number for the price and availability

### Starting Motor Mounting

ITEM	PART NO.	DESCRIPTION	QTY
1	LL146	Rubber sleeve .....	1
2	* YA60	Starting motor .....	1
3	YL352-26	Ignition wire assembly .....	2
4	YL353A27	Ignition wire assembly .....	1
5	XD29C	Screw, 3/8"-16 thread x 1-1/4" long .....	3
6	PE5	Washer, 3/8" spring lock .....	3

\* See "Starters" in Options and Accessories section of this manual for service parts.

Pitt Auto Electric Company  
Toll Free 1-800-245-0711  
Contents Copyrighted 2011  
Pitt Auto Electric Company

[Return to Table of Contents](#)

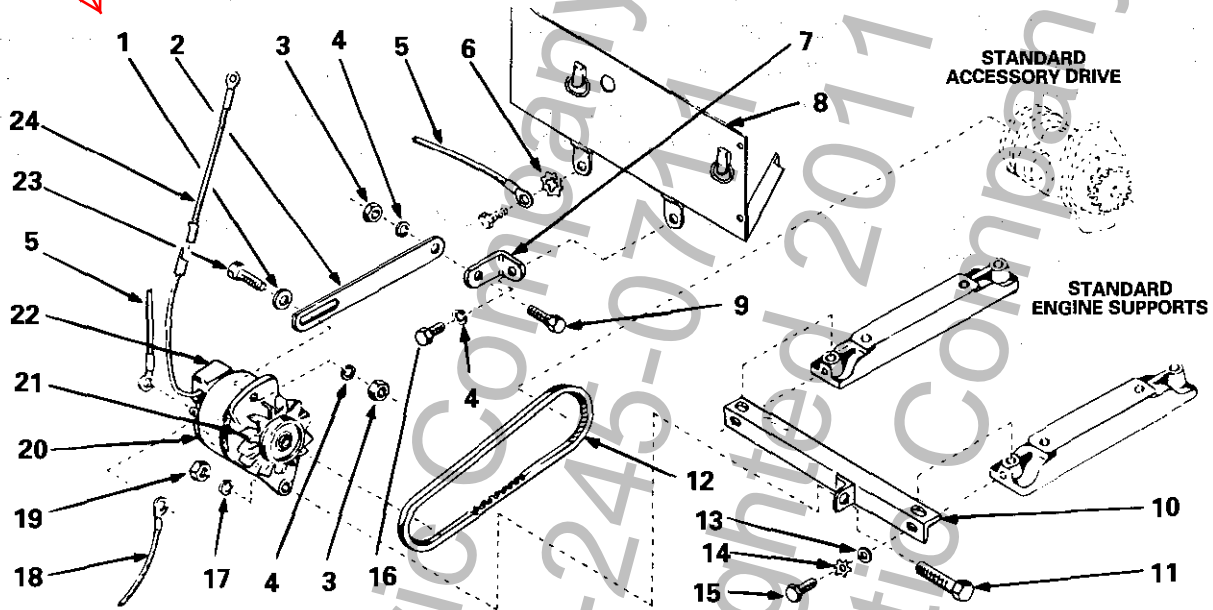
NOTE: ----- through the part no. means it has been discontinued and is not available from Wisconsin  
**PITT AUTO ELECTRIC CO \* 4085 ALPHA DRIVE \* ALLISON PARK, PA 15101**  
**FACTORY AUTHORIZED WISCONSIN MOTORS DISTRIBUTOR**  
**TOLL FREE 1-800-245-0711 EXT 2 \* TOLL FREE FAX 1-800-551-5908**  
**Page 32**



Click the part item number for the price and availability

## YB85BS1 Belt Driven Alternator Mounting Replaces YB69 (Beginning With Serial No. 5734200)

USE WITH MODEL V465D



ITEM	PART NO.	DESCRIPTION	QTY	ITEM	PART NO.	DESCRIPTION	QTY
1	PH209B	Washer, 1/2" O.D. ....	1	17	PE7	Lock washer, 1/2" ....	1
2	PG1182	Strap .....	1	18	YL377-30	Ignition wire assembly, no. 10, 30" long .....	1
3	PD78	Nut, 5/16"-18 thread .....	2	19	PD81	Nut, 1/2"-13 thread .....	1
4	PE4	Lock washer, 5/16" .....	3	20	*YB85A	Alternator assembly (includes 21, 22, 24) (replaces YB69 Motorola #8AR2069F, and YJ53 regulator for YB69 Motorola #8RF2011A; see Service Bulletin SPB 4-83) ....	1
5	YL353-12	Ground wire .....	1	21	MD405	Driven pulley .....	1
6	PE75	Lock washer, 3/16" I.D. ....	1	22	YJ71	Regulator (8RF2012A) .....	1
7	PG1183	Bracket .....	1	23	XD169	Screw, 5/16"-18 thread x 1-1/4" long (S.A.E. grade 5) .....	1
8	SE240	Cylinder shroud, left .....	1	24	YL392-14	Wire assembly (replaces YB69 Motorola no. 8AR2069F, YJ53 regulator for YB69 Motorola no. 8RF2011A) .....	1
—	YL376-27	Ignition wire assembly, no. 10, 27" long (not illustrated) .....	1				
9	XD17B	Screw, 5/16"-18 thread x 7/8" long (S.A.E. grade 5) .....	1				
10	BI379	Bracket .....	1				
11	XD170	Screw, 1/2" x 13 thread x 2-1/4" long .....	1				
12	MH184A	Belt .....	1				
13	PH77A	Washer, 5/16" I.D. x 5/8" O.D. ....	2				
14	PE46	Lock washer, 5/16" .....	2				
15	XD14A	Screw, 5/16"-18 thread x 5/8" long (S.A.E. grade 5) .....	2				
16	XD15	Screw, 5/16"-18 thread x 3/4" long .....	1				

\* See "Alternators" in Options and Accessories section of this manual for service parts.

**NOTE: ----- through the part no. means it has been discontinued and is not available from Wisconsin  
PITT AUTO ELECTRIC CO \* 4085 ALPHA DRIVE \* ALLISON PARK, PA 15101  
FACTORY AUTHORIZED WISCONSIN MOTORS DISTRIBUTOR  
TOLL FREE 1-800-245-0711 EXT 2 \* TOLL FREE FAX 1-800-551-5908**

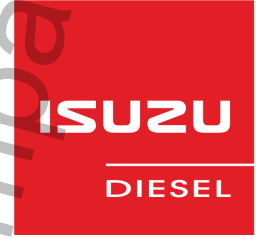
**Distributed Products**



Air Cooled  
Diesel Engines  
2HP ~ 74HP



Gasoline, Natural Gas,  
Liquid Propane Engines  
53HP ~ 225HP



Liquid Cooled  
Diesel Engines  
15HP ~ 530HP



Wisconsin & Continental Air & Water  
Cooled Spark-Ignited Engines  
37HP ~ 74HP



Power Take-Off Assemblies



Safety Shutdown & Control Systems



Centrifugal Clutches



Power Transmission Products



Dry Fuel Systems and  
Components



Tractor & Selected Engine Parts

**Dealer Products**



Kohler Air & Water Cooled  
Spark-Ignited Engines & Parts



Kohler Air & Water Cooled  
Diesel Engines & Parts



Steiner Tractor  
Parts & Accessories



Air Filtration  
Systems & Parts

Toll Free Order Line  
1-800-245-0711

Service Assistance  
412-487-5075 x 123

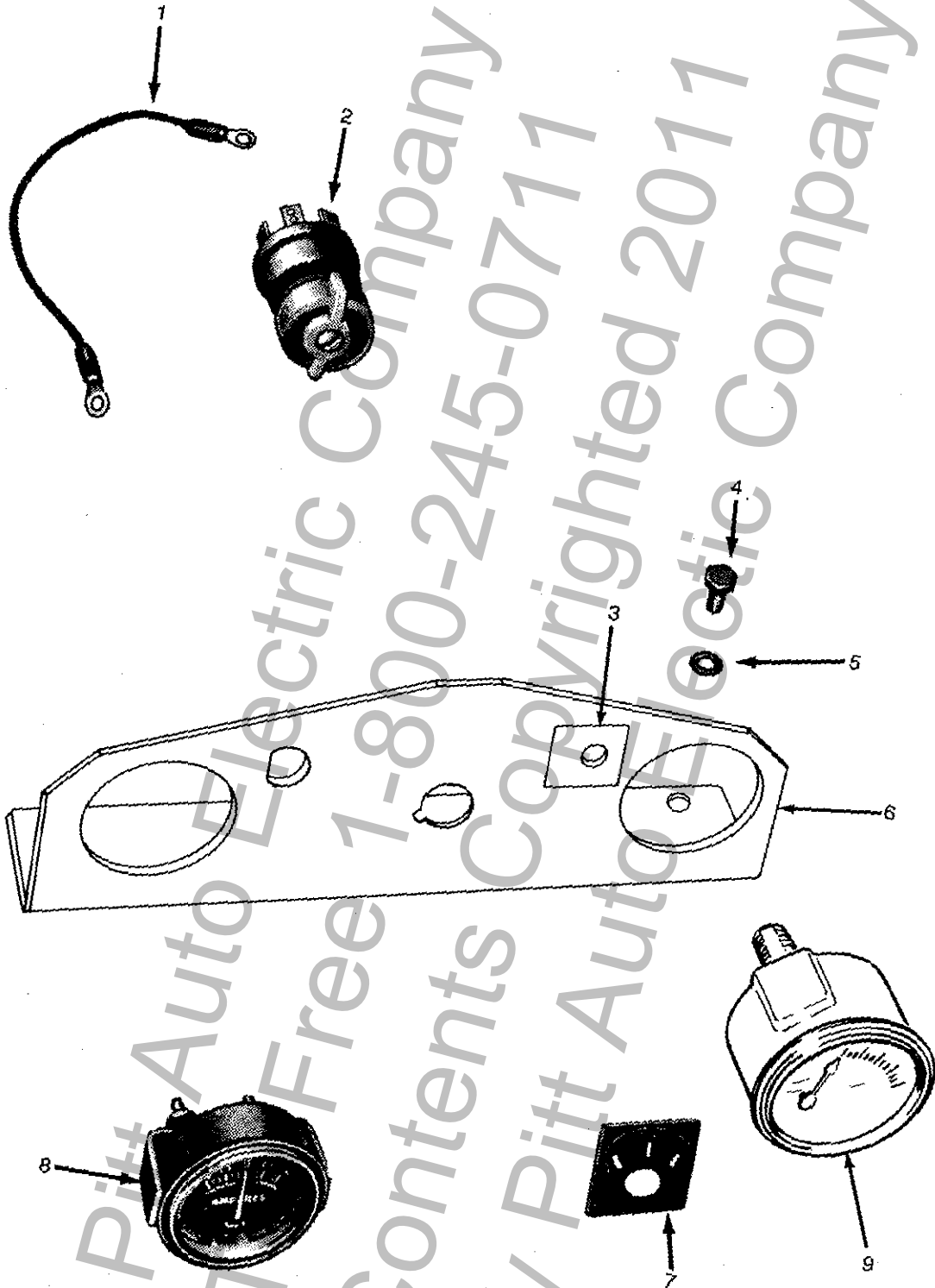
Local Phone  
412-487-5075

Local Fax  
412-487-2225

Fax Order Hotline  
1-800-551-5908

*Distribution Territory Varies by Product Line*  
Open Monday thru Friday from 8:00 AM thru 5:00 PM

Click the part item number for the price and availability



[Return to Table of Contents](#)

NOTE: ----- through the part no. means it has been discontinued and is not available from Wisconsin  
**PITT AUTO ELECTRIC CO \* 4085 ALPHA DRIVE \* ALLISON PARK, PA 15101**  
**FACTORY AUTHORIZED WISCONSIN MOTORS DISTRIBUTOR**  
**TOLL FREE 1-800-245-0711 EXT 2 \* TOLL FREE FAX 1-800-551-5908**  
Page 35

Click the part number for the price and availability

## Control Panel

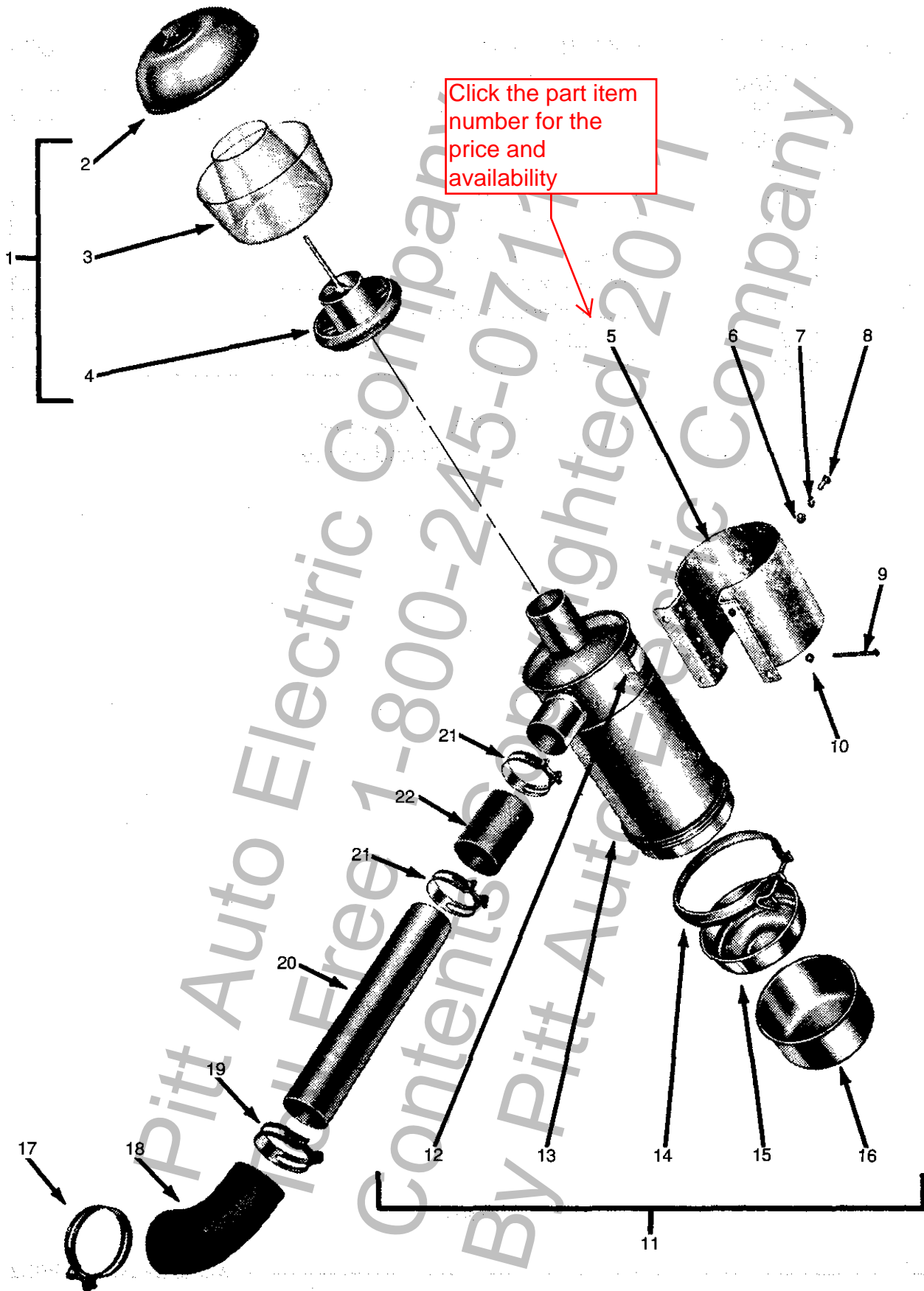
ITEM	PART NO.	DESCRIPTION	QTY
1	YL352-8	Ignition wire assembly .....	1
2	+ YC27BS1	Ignition, starting switch (includes item 7) .....	1
—	ΔYC9BS1	Ignition switch	
—	ΔYC19	Starting switch	
3	SD265	Tag, choke instructions .....	1
4	XA33	Screw, 1/4"-20 thread x 3/8" long .....	4
5	PE3	Washer, 1/4" spring lock .....	4
6	VE731	Control panel .....	1
7	SD255	Tag, ignition starting switch .....	1
8	YE2	Ammeter .....	1
9	RS56	Oil pressure gauge .....	1

† For engines with serial number 365572 and after.

Δ For engines with serial number 365571 and before.

[Return to Table of Contents](#)

NOTE: ----- through the part no. means it has been discontinued and is not available from Wisconsin  
**PITT AUTO ELECTRIC CO \* 4085 ALPHA DRIVE \* ALLISON PARK, PA 15101**  
**FACTORY AUTHORIZED WISCONSIN MOTORS DISTRIBUTOR**  
**TOLL FREE 1-800-245-0711 EXT 2 \* TOLL FREE FAX 1-800-551-5908**



Click the part item number for the price and availability

[Return to Table of Contents](#)

Click the part number for the price and availability

## Air Cleaner Group

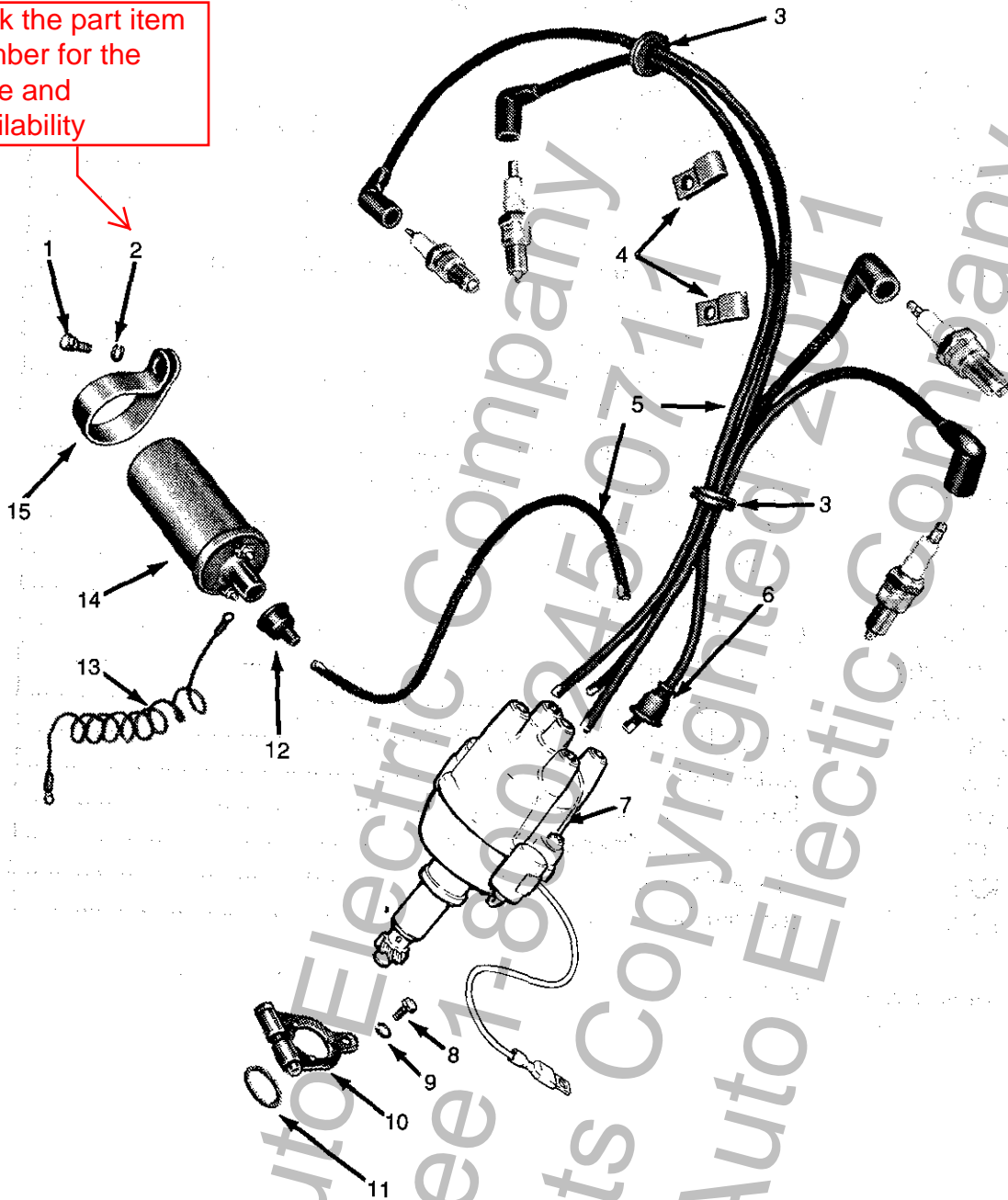
ITEM	PART NO.	DESCRIPTION	QTY
1	LO127A	Pre-cleaner, Donaldson Co. (includes items 2 - 4)	1
2	22-P20648	Cover assembly	1
3	22-P20227	Body	1
4	22-P20650	Sleeve assembly	1
5	PG456B	Strap, air cleaner (P/N PG512 for V460D, V461D)	1
6	PD78	Nut, 5/16"-18 thread	3
7	PE4	Washer, 5/16" spring lock	4
8	XD14	Screw, 5/16"-18 thread x 5/8" long	4
9	XA74	Screw, 1/4"-20 thread x 2-1/4" long	2
10	PD198	Locknut, 1/4"-20 thread	2
11	LO185S1	Oil bath air cleaner, Donaldson Co. (includes items 12 - 16)	1
12	SD161	Decal	1
13	* — — —	Body assembly	1
14	22-P2691	Clamp assembly	1
15	22-P17702	Inner oil cup	1
16	22-P17703	Outer oil cup	1
17	LK8	Hose clamp, 2-1/8" I.D., carburetor end	1
18	LL89	Rubber elbow	1
19	LK9	Hose clamp, 2-3/8" I.D.	1
20	LJ131	Tube, air cleaner connection	1
21	LK24	Hose clamp, 2-1/4" I.D., air cleaner end	2
22	LL30A	Rubber hose	1

\* Not serviced separately.

[Return to Table of Contents](#)

**NOTE: ----- through the part no. means it has been discontinued and is not available from Wisconsin  
 PITT AUTO ELECTRIC CO \* 4085 ALPHA DRIVE \* ALLISON PARK, PA 15101  
 FACTORY AUTHORIZED WISCONSIN MOTORS DISTRIBUTOR  
 TOLL FREE 1-800-245-0711 EXT 2 \* TOLL FREE FAX 1-800-551-5908**

Click the part item number for the price and availability



[Return to Table of Contents](#)

NOTE: ----- through the part no. means it has been discontinued and is not available from Wisconsin  
**PITT AUTO ELECTRIC CO \* 4085 ALPHA DRIVE \* ALLISON PARK, PA 15101**  
**FACTORY AUTHORIZED WISCONSIN MOTORS DISTRIBUTOR**  
**TOLL FREE 1-800-245-0711 EXT 2 \* TOLL FREE FAX 1-800-551-5908**

Click the part number for the price and availability

## Distributor and Coil

ITEM	PART NO.	DESCRIPTION	QTY
1	XD16	Screw, 5/16"-18 thread x 7/8" long .....	1
2	PE4	Washer, 5/16" spring lock .....	1
3	PH198	Rubber grommet .....	3
4	PG314	Clamp (replaces PG1042) .....	2
5	YL349	Distributor ignition cable set (includes item 3) .....	1
—	YL358-15	Cable, coil to distributor .....	
—	YL339-14	Cable, #1 cylinder .....	1
—	YL339-16	Cable, #3 cylinder .....	1
—	YL339-42	Cable, #2 cylinder .....	1
—	YL339-44	Cable, #4 cylinder .....	1
6	YD20	Rubber nipple, distributor .....	5
7	* YF45S1	Distributor, Colt no. FMD4C7 .....	1
8	XD4	Screw, 1/2" long .....	1
9	PE3	Washer, 1/4" spring lock .....	1
10	PG543A1	Clamp .....	1
11	JK59	O-ring, 1-1/16" I.D. x 1-5/16" O.D. ....	1
12	YD20A	Rubber nipple, coil terminal .....	1
13	YL352-26	Ignition wire assembly .....	1
14	YF41AS1	Ignition coil assembly (includes item 15) .....	1
15	PG556B	Clamp, standard .....	1

\* See "Distributors" in Options and Accessories section of this manual for service parts.

[Return to Table of Contents](#)

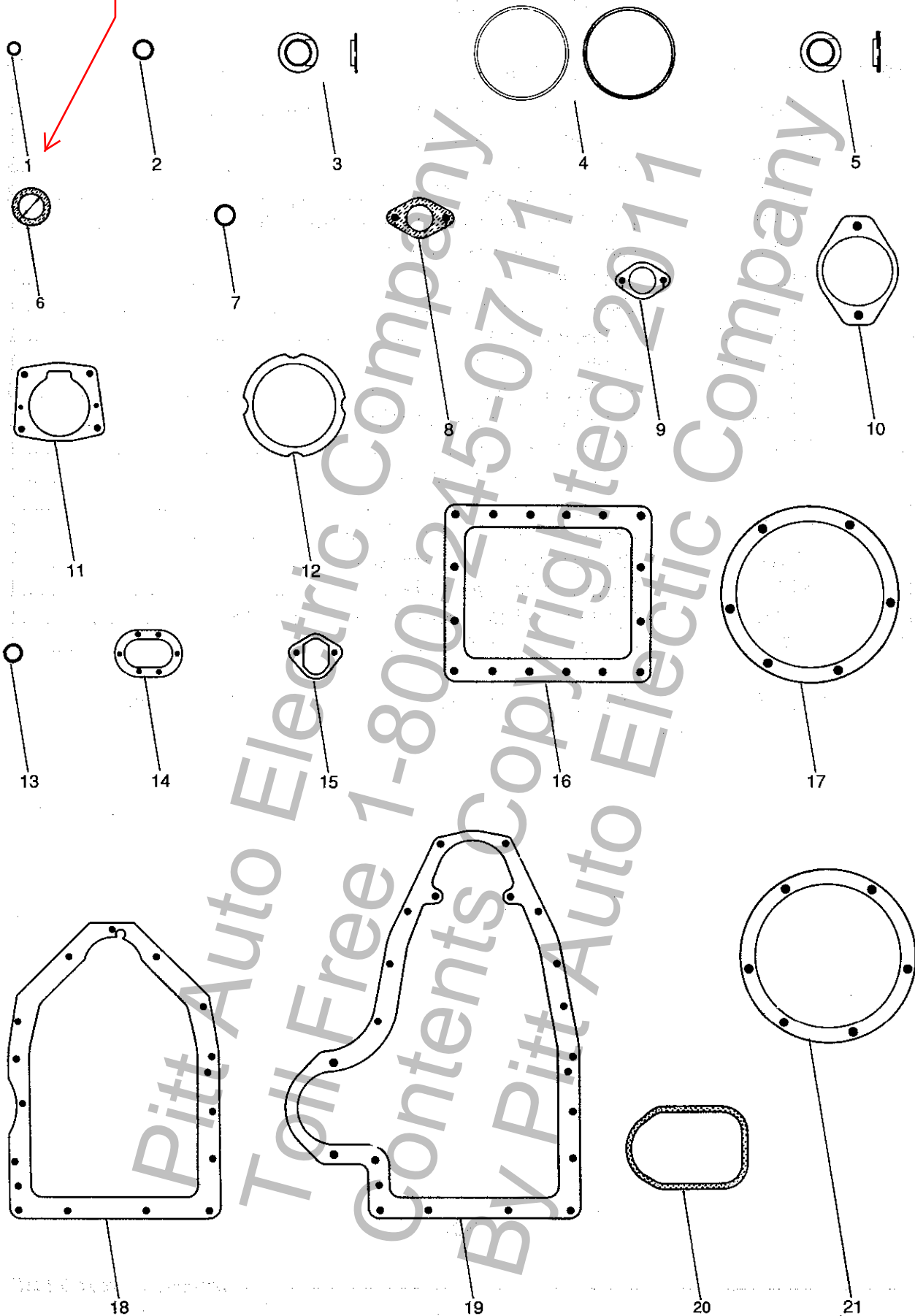
NOTE: ----- through the part no. means it has been discontinued and is not available from Wisconsin

**PITT AUTO ELECTRIC CO \* 4085 ALPHA DRIVE \* ALLISON PARK, PA 15101**  
**FACTORY AUTHORIZED WISCONSIN MOTORS DISTRIBUTOR**

**TOLL FREE 1-800-245-0711 EXT 2 \* TOLL FREE FAX 1-800-551-5908**



Click the part item number for the price and availability



[Return to Table of Contents](#)

Click the part number for the price and availability

## Engine Gasket Set

ITEM	PART NO.	DESCRIPTION	QTY
—	Q32C	Engine gasket set with o-rings.....	1
—	Q34A	Gasket set, valve grinding (includes items 1 - 3, 5 - 6, 12, 20).....	1
1	JK52	O-ring, 3/16" I.D. x 5/16" O.D., drain line.....	4
2	JK55	O-ring, 3/4" O.D. ....	16
3	QB83	Insert bushing, 1-1/4" I.D. x 1-3/4" O.D. ....	4
4	QD839	Gasket, cylinder base (P/N QD841 for V460D and V461D).....	4
5	QB85B	Gasket with insert, inlet manifold to cylinder head .....	4
6	QC66	Gasket, exhaust port .....	4
7	JK53	O-ring, 5/16" I.D. x 7/16" O.D., oil collet coupling .....	3
8	QC12A	Gasket, carburetor flange .....	3
9	QD67	Gasket, fuel pump adapter .....	1
10	QD616	Gasket, accessory drive housing .....	1
11	QD615A	Gasket, governor housing .....	1
12	QD757B	Gasket, cylinder head .....	1
13	JK56	O-ring, 3/8" I.D. x 1/2" O.D., collet adapter .....	1
14	QD535A	Gasket, oil pump cover .....	1
15	QD538A	Gasket, fuel pump .....	1
16	QD635A	Gasket, oil pan .....	1
17	QD761	Gasket, main bearing plate, .003" thick .....	2
18	QD633-1	Gasket, crankcase .....	1
19	QD634	Gasket, gear cover .....	1
20	QD758	Gasket, rocker arm cover .....	4
21	QD761A	Gasket, main bearing plate, .006" thick .....	2
—	Q32C	Overhaul gasket set.....	1
—	Q34A	Gasket set, valve grinding.....	1
22	JK75	O-ring, 3/16" I.D. x 3/8" O.D (Not shown). ....	1

[Return to Table of Contents](#)

NOTE: ----- through the part no. means it has been discontinued and is not available from Wisconsin

**PITT AUTO ELECTRIC CO \* 4085 ALPHA DRIVE \* ALLISON PARK, PA 15101**

**FACTORY AUTHORIZED WISCONSIN MOTORS DISTRIBUTOR**

**TOLL FREE 1-800-245-0711 EXT 2 \* TOLL FREE FAX 1-800-551-5908**

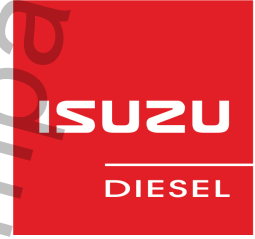
**Distributed Products**



Air Cooled  
Diesel Engines  
2HP ~ 74HP



Gasoline, Natural Gas,  
Liquid Propane Engines  
53HP ~ 225HP



Liquid Cooled  
Diesel Engines  
15HP ~ 530HP



Wisconsin & Continental Air & Water  
Cooled Spark-Ignited Engines  
37HP ~ 74HP



Power Take-Off Assemblies



Safety Shutdown & Control Systems



Centrifugal Clutches



Power Transmission Products



Dry Fuel Systems and  
Components



Tractor & Selected Engine Parts

**Dealer Products**



Kohler Air & Water Cooled  
Spark-Ignited Engines & Parts



Kohler Air & Water Cooled  
Diesel Engines & Parts



Steiner Tractor  
Parts & Accessories



Air Filtration  
Systems & Parts

Toll Free Order Line  
1-800-245-0711

Service Assistance  
412-487-5075 x 123

Local Phone  
412-487-5075

Local Fax  
412-487-2225

Fax Order Hotline  
1-800-551-5908

*Distribution Territory Varies by Product Line*  
 Open Monday thru Friday from 8:00 AM thru 5:00 PM