

ADH-AEH ENGINE MODELS

Important Notice

The manuals contained in this computer file are reproductions from the "Wisconsin Engine" counter catalog, part number "S236". This manual was last produced in the mid 1980's.

As with any printed data, the information contained in these manuals may not be the most up-to-date available. It is provided as a convenience to our customers and all information should be verified before making repairs to an engine or component.

SERVICE FACILITIES

WISCONSIN MOTORS, L.L.C. Distributors and Service Centers, located throughout the U.S. and foreign countries, have been carefully selected to insure complete and efficient repair and inspection services to owners of **WISCONSIN MOTORS** Engines. These service centers, equipped and staffed for complete engine repair, also stock engines parts to facilitate immediate delivery for the complete line of **WISCONSIN MOTORS** Engines.

Order parts from the **WISCONSIN MOTORS, L.L.C.** Distributor or Service Center in your locality. Refer to the Yellow Pages of the Telephone Directory under **ENGINES**, or visit our website, www.wisconsinmotors.com to locate a distributor in your area. You can also call Wisconsin Motors toll free, 800-932-2858.

The MODEL, SPECIFICATION and SERIAL NUMBER of your engine must be given when ordering parts. The MODEL, SPECIFICATION and SERIAL NUMBER are on the engine nameplate.



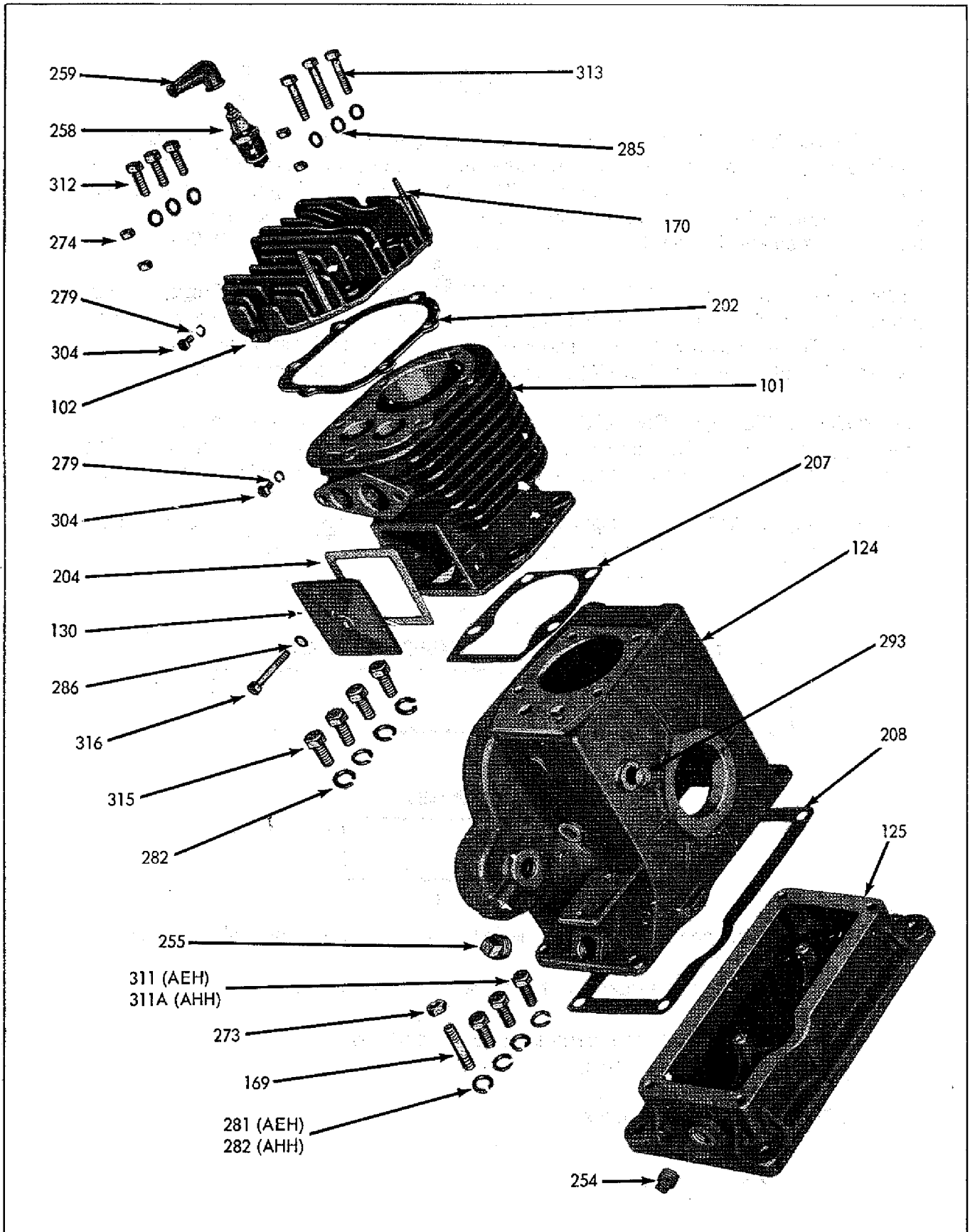
**Wisconsin
Motors, LLC**

Sales Office

2020 Fletcher Creek Drive - Memphis, TN 38133

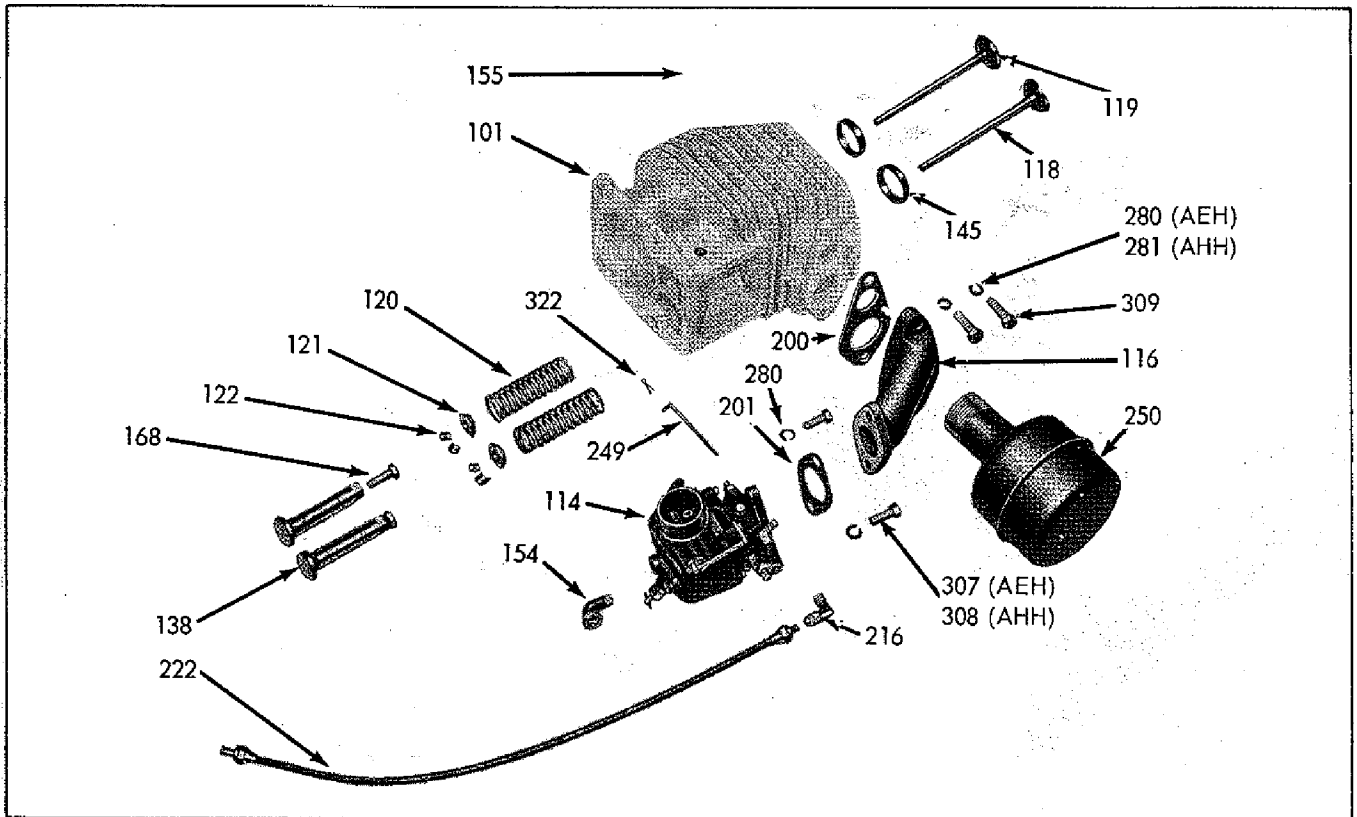
Phone (901) 371-0353 Toll Free 800-932-2858

www.wisconsinmotors.com



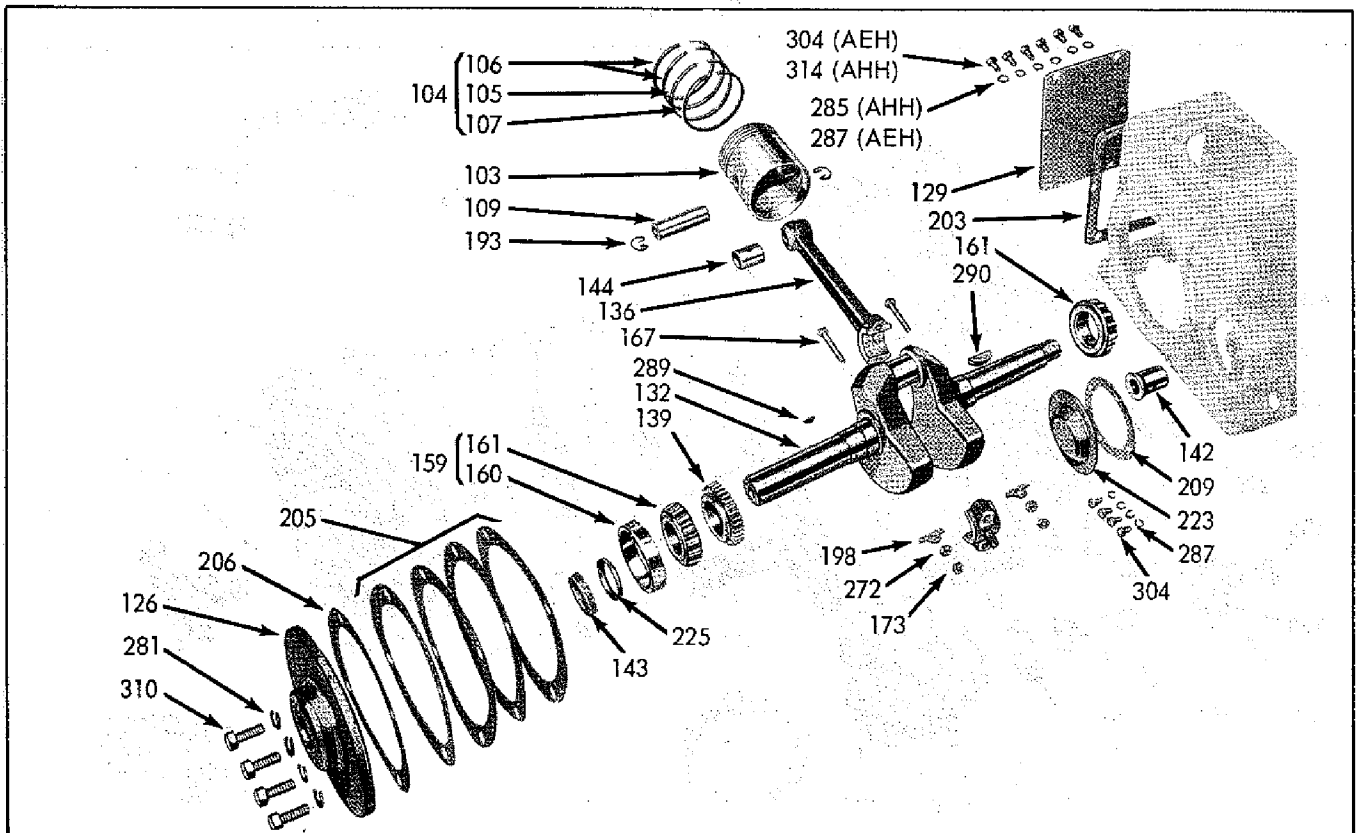
CRANKCASE, BASE, CYLINDER BLOCK AND HEAD GROUP
 Parts are identified by reference number. See parts list for correct part number.

115803C-1



VALVES, MANIFOLD AND CARBURETOR GROUP

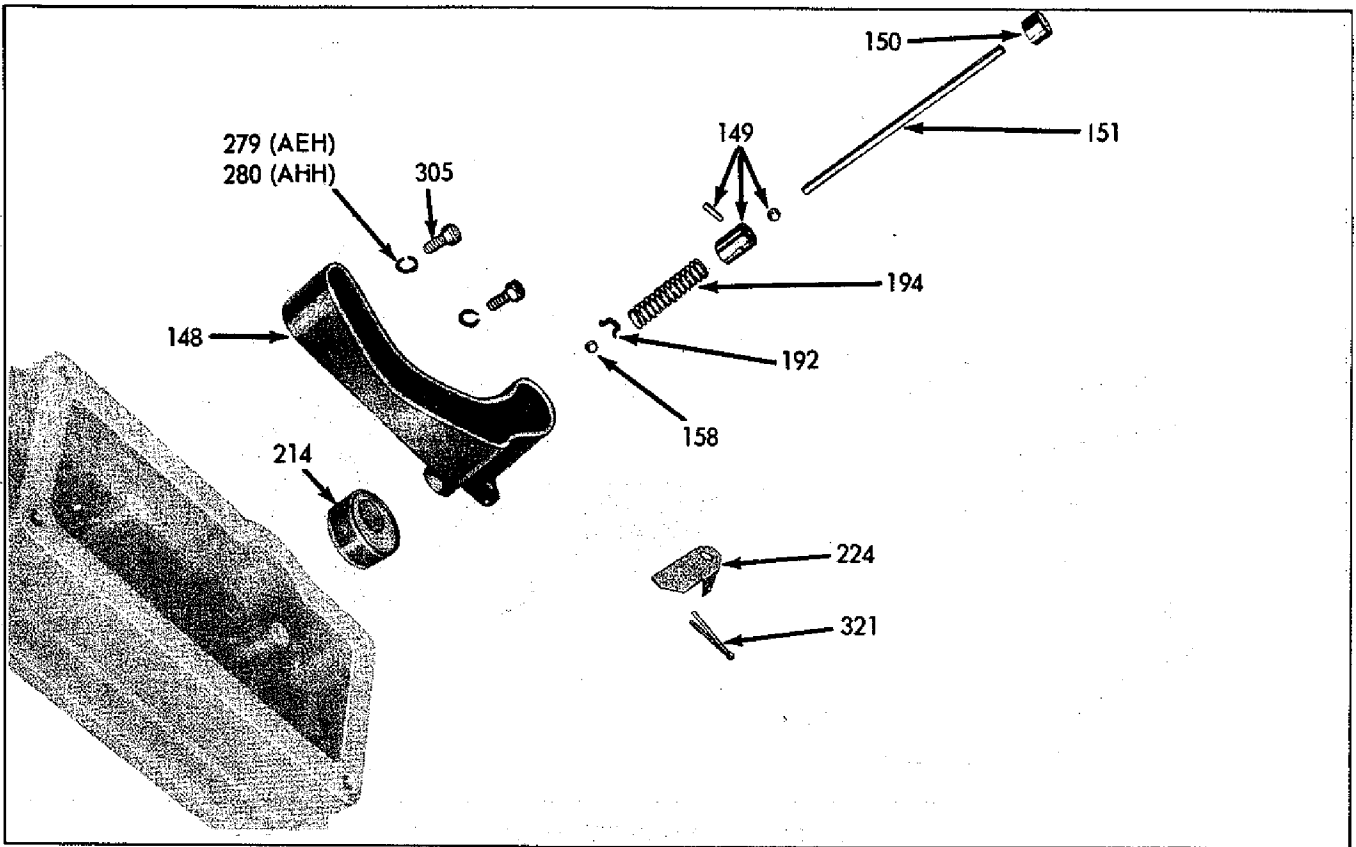
76860C-1



BEARING PLATE, CRANKSHAFT, PISTON AND CONNECTING ROD GROUP

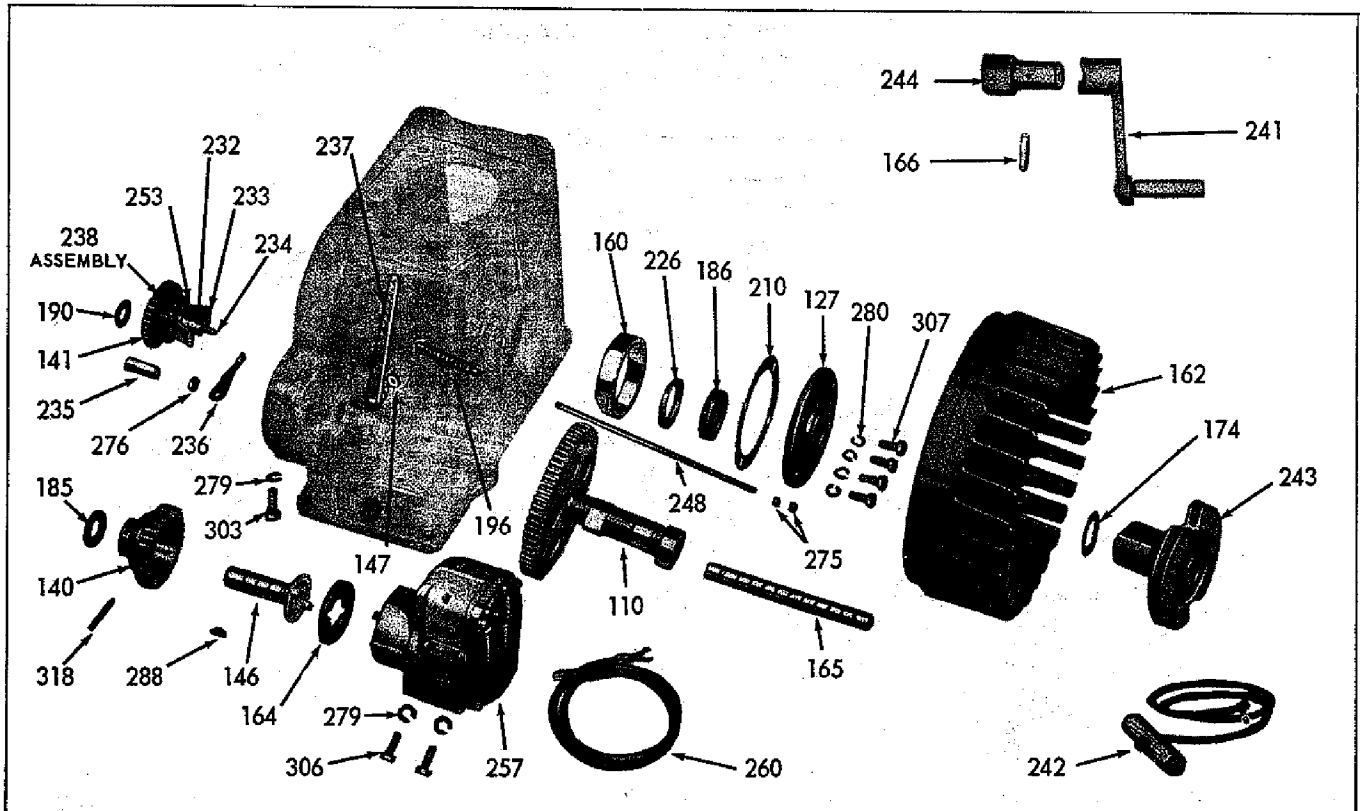
Parts are identified by reference number. See parts list for correct part number.

115802C



OIL PUMP

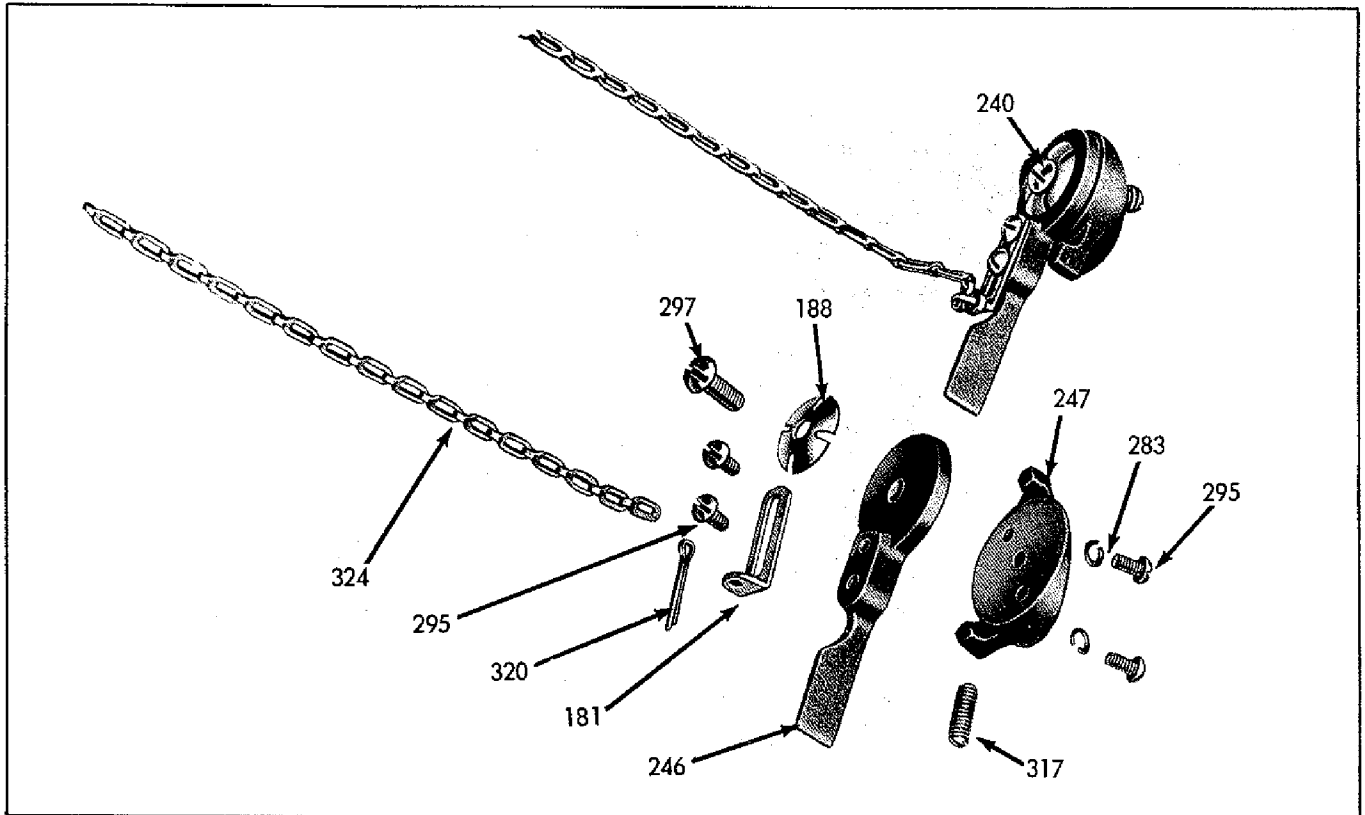
115804C



MAGNETO, GOVERNOR, CAMSHAFT AND FLYWHEEL GROUP

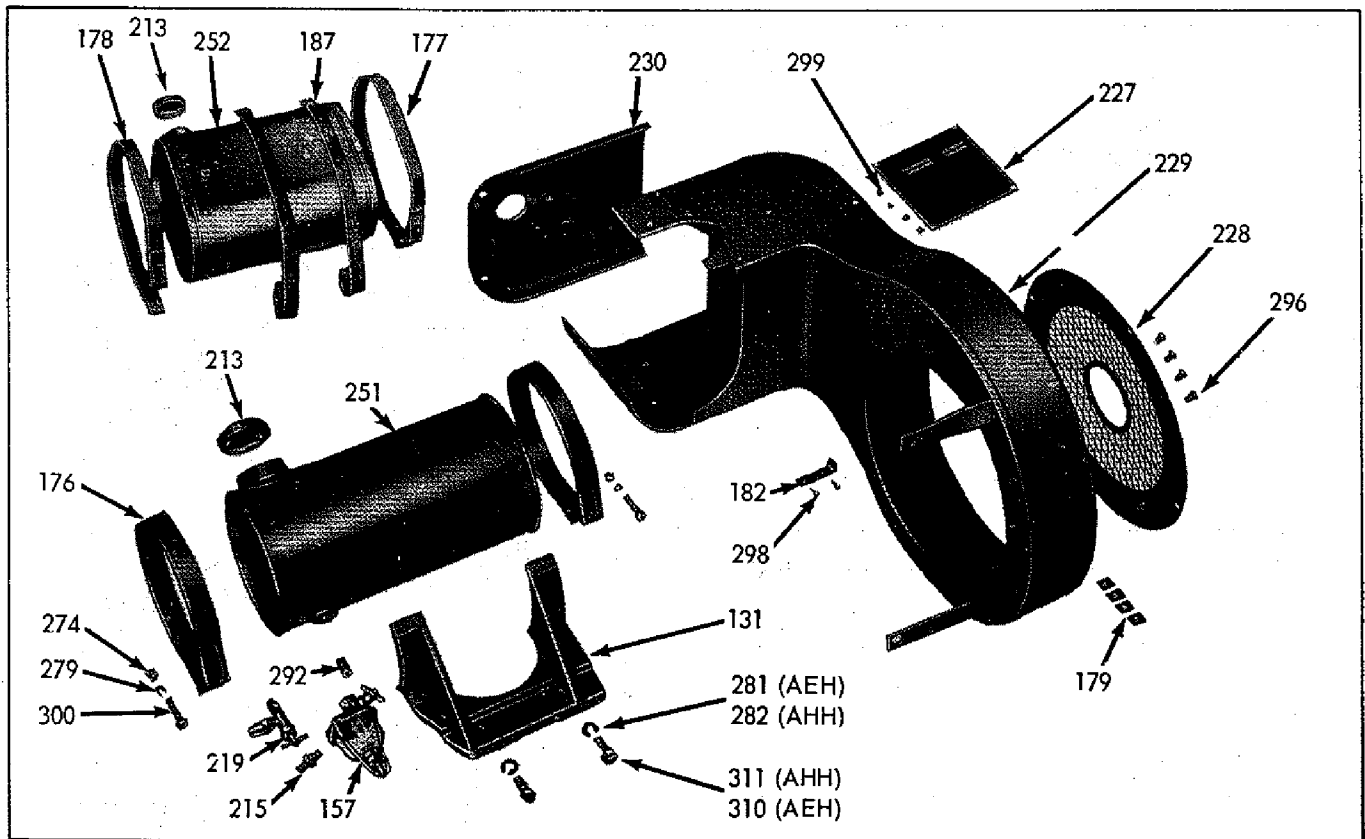
Parts are identified by reference number. See parts list for correct part number.

77521C-2



GOVERNOR CONTROL ASSEMBLY

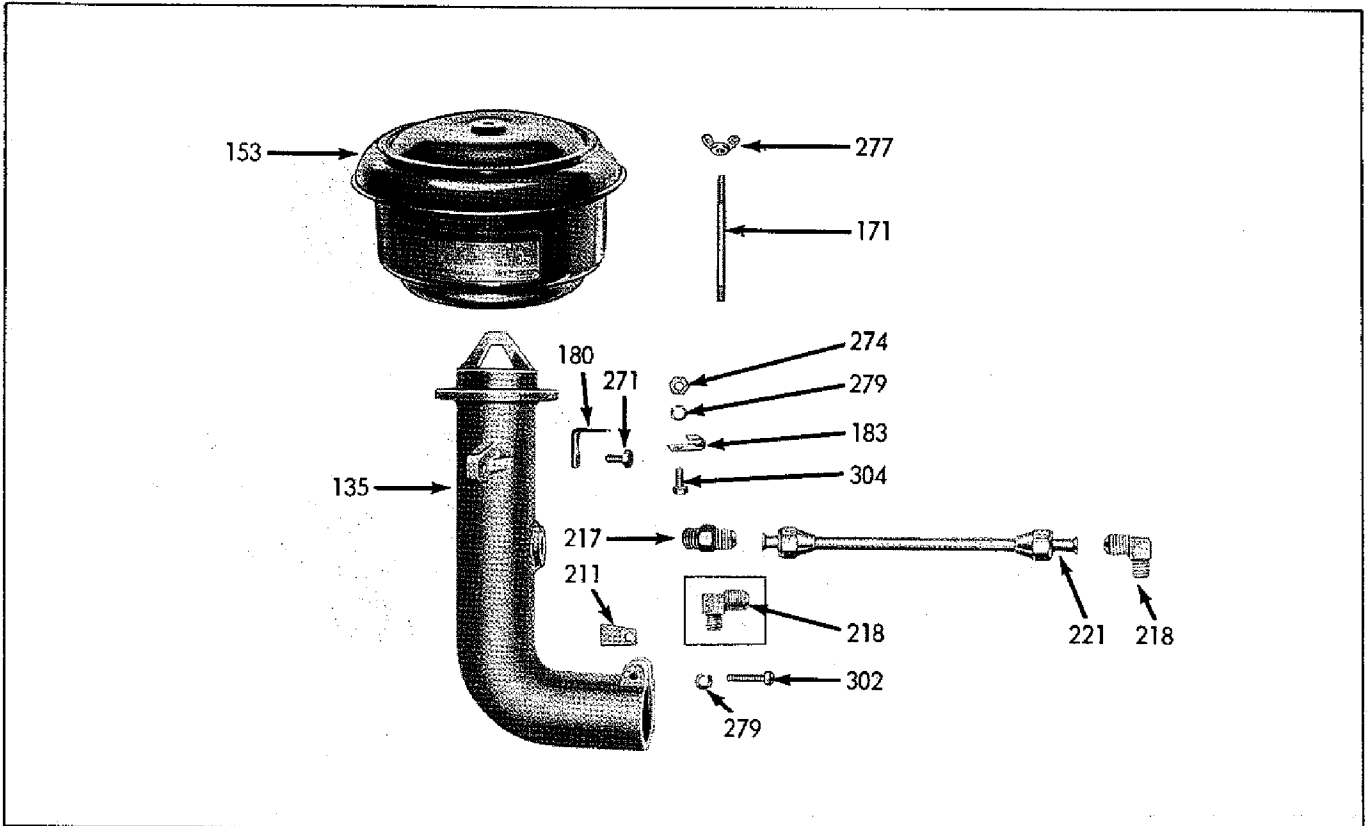
71720C



AIR SHROUDING AND FUEL TANK GROUP

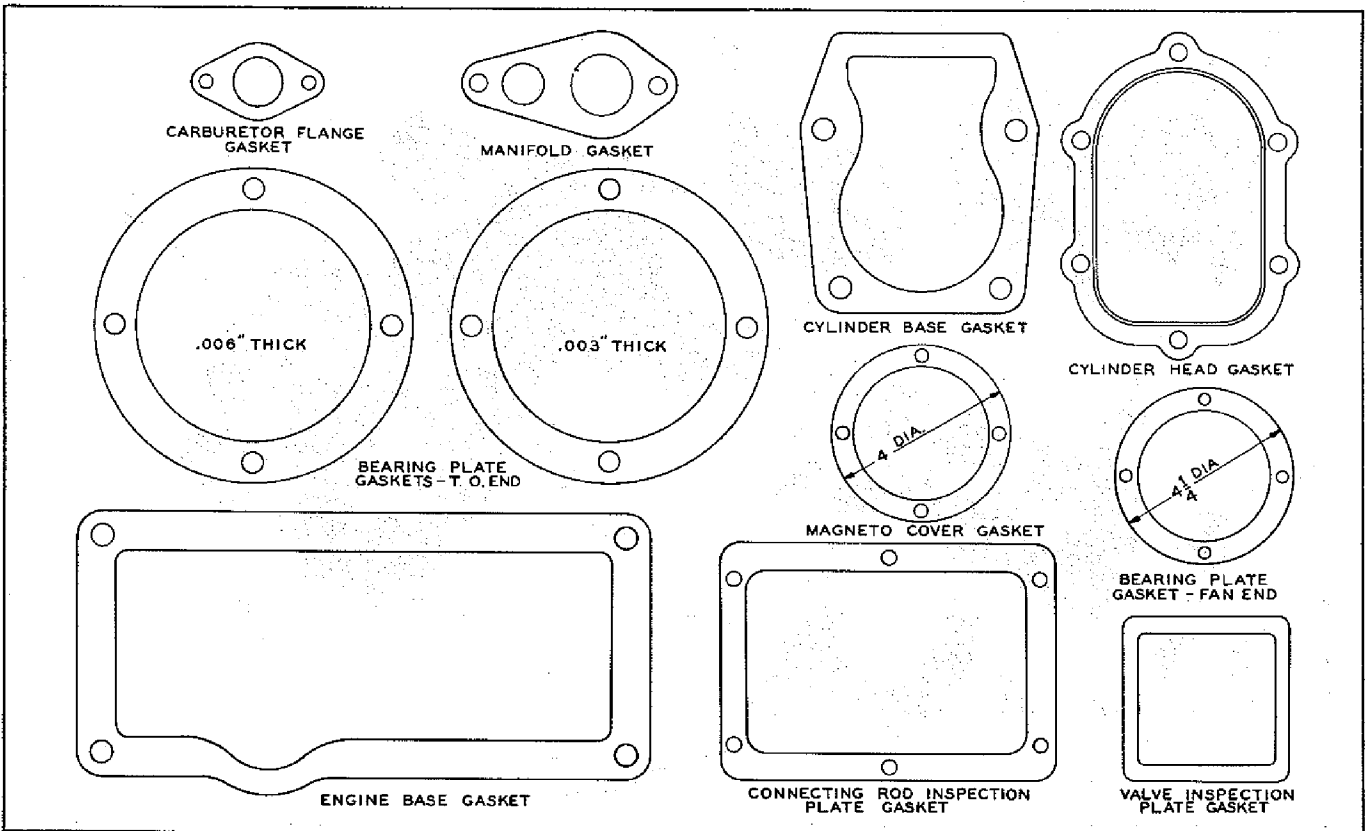
Parts are identified by reference number. See parts list for correct part number.

76859C-1



AIR CLEANER MOUNTING GROUP

115801C



GASKET SET, Ref. No. 197

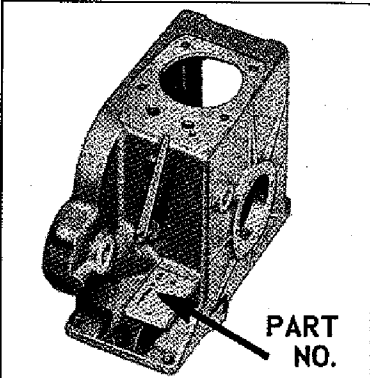
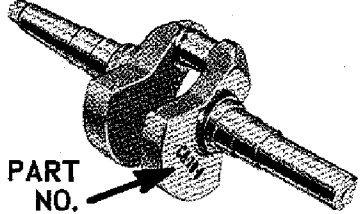
Parts are identified by reference number. See parts list for correct part number.

PARTS LIST FOR MODELS ADH, AE, AEH AND AEHS

REF. NO.	PART NUMBER			DESCRIPTION	NO REQ	NET WT.	
	MODEL ADH	MODEL AE	MODELS AEH, AEHS			LB.	OZ.
101	AA-72B-S1	AA-74B-S1	AA-74B-S1	CYLINDER BLOCK ASSEMBLY – Complete with valves, springs, seats, locks, inserts, cover and gasket	1	13	
	AA-72B-S2	AA-74B-S2	AA-74B-S2	CYLINDER BLOCK with valve seat inserts only.....			
102	AB-63-F	AB-63-D	AB-63E-2	CYLINDER HEAD..... AB-63-E Cylinder Head – replaced by AB-63-E-2.	1	2	
103	DB-158-A	DB-209	DB-209 DB-209-1	PISTON, standard size	1	8	
				DB-158 Piston – replaced by DB-158-A.			
				PISTON, standard size. For speeds up to 2990 R.P.M. For speeds 3000 R.P.M. and over. DB-187-A, DB-187A-1, DB-187B-1 Pistons – replaced by DB-209. DB-187B-5 Piston – replaced by DB-209-1. Pistons are also furnished .005", .010", .020" and .030" oversize and semi-finished.	1 1	8 8	
104	DR-5	DR-6-E	DR-6-E	PISTON RING SET, standard size..... DR-6 Ring Set – replaced by DR-6-E. Consisting of: SCRAPER RING, 3rd groove	1	4	
105	DC-106-A (2 used)	DC-163-1	DC-163-1	DC-163-1	1	1	
106		DC-163	DC-163	DC-163	1	1	
107		DC-163-D DC-186	DC-163-D DC-186	DC-163-D DC-186	1 1	1 1	
109	DE-60	DE-65	DE-65	PISTON PIN, standard size	1	3	
110	EA-93D-S1	EA-93D-S1	EA-93D-S1	CAMSHAFT and GEAR ASSEMBLY – for cast iron crankcase. Consisting of camshaft and gear with support pin. EA-93-S1, EA-93-2-S1, EA-93A-S1, EA-93B-S1 – replaced by EA-93D-S1.	1	2	11
	EA-93D-S2	EA-93D-S2	EA-93D-S2	For Aluminum Crankcase	2	13	
114	L-45-B			CARBURETOR, Stromberg UC $\frac{3}{4}$, No. 426019	1	3	10
				(For engines beginning with Serial No. 144062).			
				L-16M-3, Stromberg Model UR $\frac{3}{4}$, No. 425040	4		
				(To and including Serial No. 144061).			
		L-48-F	L-48-F	CARBURETOR, Zenith 161-7, No. 0-10457.....	1	3	
				(For engines beginning with Serial No. 1077369).			
				L-45B-2, Stromberg Model UC $\frac{3}{4}$, No. 426020	3	10	
				(For engine No. 144062 to and including No. 1077368).			
				L-16M-3, Stromberg Model UR $\frac{3}{4}$, No. 425040			
				(To and including Serial No. 144061).			
				NOTE: See carburetor bulletins in back of manual for service replacement parts list.			
116	LD-232	LD-232	LD-232	MANIFOLD (For engines beginning with Serial No. 144062)	1	1	9
				LD-197-C Manifold (For engines to and including Serial No. 144061)		2	

Order parts from nearest **SERVICE STATION** shown in directory following parts list.
IMPORTANT: Always give Model, Specification and Serial Numbers as shown on name plate.

PARTS INTERCHANGEABLE ON MODELS ADH, AE, AEH AND AEHS

Ref. No.	Part Number	Description	No. Req.	Net Wt.		Ref. No.	Part Number	Description	No. Req.	Net Wt.	
				Lb	Oz					Lb	Oz
118	AE-75-B AE-75-D	VALVES - Inlet and Exhaust (Std.) STELLITE EXHAUST VALVE (AEHD). Valves are also furnished with .004" oversize stem.	2 1		4 4	129	BH-104	CONNECTING ROD INSPECTION PLATE.....	1		6
120	AF-49-A AF-51 AF-54	VALVE SPRING - Inlet & Exhaust (std.) 2-5/16" free length. VALVE SPRING - AEHD with Stellite Exhaust Valve - 1-31/32" free length. VALVE SPRING - AEHD with Stellite Exhaust Valve and Rotator Seat..... 1-13/16" free length.	2 1 1		2 2 2	130	BH-105	VALVE TAPPET INSPECTION PLATE.....	1		3
121	AG-26 AG-31	SEAT for valve springs - Inlet and Exhaust (std.) ROTATOR SEAT - AEHD with Stellite Exhaust Valve.....	2 1		1 1	131	BI-170-E	FUEL TANK BRACKET (Sheet Steel) .. BI-170C-1 (Cast Iron) replaced by BI-170-E. For service, order BI-170E with 2 PG-517 straps for WE-14-K round tank or 2 PG-518 straps for WE-37-F oval tank.	1	1	12
122	AH-9	LOCK for valve spring seat	2 pr		1	132	CRANKSHAFT ASSEMBLY	Consisting of: 1 Crankshaft 1 GA-31 Gear 2 ME-84 Bearings 1 PL-55 Key NOTE: The part number of the crankshaft will be found stamped on the cheek facing the take-off end of the shaft as illustrated in Fig. 2. ORDER BY THIS NUMBER and by giving the Model, Specification and Serial Numbers of the engine.	1		12
124		CRANKCASE ASSEMBLY	1		22						
		Consisting of: 1 Crankcase 1 HC-43 Bushing 1 PE-3 Washer 1 SA-13 Plug 1 TC-373 Shaft 1 XB-82 Screw NOTE: The part number of the crankcase is stamped on the face of the magneto mounting pad as shown in Fig. 1. ORDER BY THIS NUMBER and by giving the Model, Specification and Serial Numbers of the engine.									
											
		Fig. 1 173776C						Fig. 2 141332C-1			
125	BB-101-A	ENGINE BASE	1	11	8	135	BI-268-S1	AIR CLEANER BRACKET ASSEMBLY..	1		1
126	BG-106-7-S1	MAIN BEARING PLATE ASSEMBLY..... Take-off end. Consisting of: 1 BG-106-7 Plate 1 HF-238 Seal 1 SD-31 Retainer	1		4	136	DA-49-A-S1	CONNECTING ROD ASSEMBLY.....	1	1	6
	BG-106-7-52	MAIN BEARING PLATE ASSEMBLY..... Take-off end. Consisting of: 1 BG-106-7 Plate 1 HF-238 Seal 1 ME-59-1 Bearing cup 1 SD-31 Retainer	4		4			Consisting of: 1 DA-49-A Rod 1 HG-133A Bushing 2 PB-148 Bolts 2 PD-10 Nuts 2 PD-181 Palnuts 2 QA-113 Shims			
127	BG-126-S1	BEARING RETAINER PLATE ASSEMBLY - Flywheel end. Consisting of:.... 1 BG-126 Plate 1 PH-193 Seal 1 SD-39 Retainer	1		14			DA-49-S1 Connecting Rod Assembly - replaced by DA-49-A-S1. Connecting rods are also furnished .010", .020" and .030" undersize.			
						138	F-63	VALVE TAPPET with PB-169-A lock-screw	2		4
								FA-40 and FA-40-C Tappets - replaced by F-63.			
						139	GA-31	CRANKSHAFT GEAR	1		8
						140	GD-80	MAGNETO DRIVE GEAR	1		11
						141	GD-98	GOVERNOR GEAR.....	1		8
						142	HC-43	BUSHING for magneto drive shaft	1		3

Order parts from nearest **SERVICE STATION** shown in directory following parts list.

IMPORTANT: Always give Model, Specification and Serial Numbers as shown on name plate.

PARTS INTERCHANGEABLE ON MODELS ADH, AE, AEH AND AEHS

Ref. No.	Part Number	Description	No. Req.	Net Wt.		Ref. No.	Part Number	Description	No. Req.	Net Wt.	
				Lb	Oz					Lb	Oz
143	HF-238	CORK OIL SEAL For bearing plate — Take-off end.	1		1	167	PB-148-51	CONNECTING ROD BOLT ASSEMBLY.. Consisting of: 1 PB-148 Bolt 1 PD-10 Nut 1 PD-181 Palnut	2		2
144	HG-133-A-1	PISTON PIN BUSHING HG-133 Bushing—replaced by HG-133A1 HG-133A Bushing— interchangeable with HG-133A-1.	1		1	168	PB-169-A	VALVE TAPPET ADJUSTING SCREW.. For F-63 tappet. PB-147 Screw with PD-141 nut for ob- solete FA-40 and FA-40-C tappets.	2		1
145	HG-201	VALVE SEAT INSERT, standard.....	2		1	169	PC-133	STUD for mounting engine base—below governor housing	1		1
	HG-201-D	STELLITE EXHAUST VALVE SEAT INSERT for AEHD and AEHSD engines with Stellite valve	1		1	170	PC-316	STUD for air shroud cover to cyl. head..	2		1
146	JD-335	MAGNETO DRIVE SHAFT	1		8	171	PC-372	STUD for mounting air cleaner to bracket	1		1
147	JK-52	'O' RING for governor lever fulcrum pin PH-310 Oil Seal (available for service) replaced by JK-52—but not interchange- able unless complete TC-377-5 Fulcrum Pin and Lever assembly, which includes JK-52 'O' ring, is ordered.	1		1	173	PD-181	PALNUT for connecting rod bolt — 5/16"-24	2		1
148	KA-57-1	OIL PUMP BODY and SPLASH TROUGH KA-57 — replaced by KA-57-1.	1	1	4			NOTE: PD-181 Palnut and PD-10, 5/16" 24 Plain Nut, replace PD-148 Slotted Nut and Cotter Pin.			
149	KF-14-S1	OIL PUMP PLUNGER ASSEMBLY..... Consisting of: 1 KF-14 Plunger 1 ME-38 Ball 1 PA-217 Pin	1		2	174	PE-73	LOCKWASHER, 7/8" External Everlock For starting nut or sheave.	1		1
150	KF-19-A	CAP for oil pump plunger push rod	1		1	176	PG-517	FUEL TANK STRAP for WE-14K round tank and sheet steel bracket	2		4
151	KF-26	PUSH ROD for oil pump plunger..... KF-17-1 Rod — replaced by KF-26.	1		2	177	PG-518	FUEL TANK STRAP for WE-37F oval tank and sheet steel bracket	2		7
153	LO-24	AIR CLEANER, UNITED SPECIALTIES No. T-12-B1	1	1	12	178		NOTE: Steel binder strapping and seal for mounting fuel tank, on engines sent out from the factory, are not serviceable in the field. Order either of the above straps with 2 each PD-77 Nuts, PE-3 Lockwashers and XA-88 Screws. PG-84 Straps for WE-14K round tank and cast iron bracket.....	2		4
		Service parts: United Specialties No's. 179B1 Cap and filter assembly	1	1				PG-99 Straps for WE-37F oval tank and cast iron bracket	2		7
		176B1 Oil cup.....	1		10						
		615A1 Filter gasket.....	1		1						
		A7419 Base gasket	1		1						
154	LO-38	CARBURETOR DRIP PLUG ASSEM- BLY for Stromberg carburetor	1		1	179	PG-315	CLIP for flywheel screen mounting.....	4		1
155	LO-67	BREATHER ASSEMBLY in cylinder block.....	1		3	180	PG-343	BRACE for mounting air cleaner bracket to shroud	1		1
157	LP-43	FUEL STRAINER (small) Tillotson No. OW-480-5.....	1		3	181	PG-358	ADJUSTING STRAP	1		1
		LP-19 Strainer (large) Tillotson OW-418T NOTE: See illustration in back of parts list for service replacement parts of fuel strainer.	1		3	182	PG-412	BRACKET for governor adjusting screw	1		1
158	ME-38	CHECK BALL for oil pump, 5/16" dia. steel	1		1	183	PG-430	CLIP for spark plug wire	1		1
159	ME-84	MAIN BEARING ASSEMBLY	2		12	185	PH-191	THRUST WASHER	1		1
		Consisting of:						For magneto drive shaft.			
160		1 ME-59-1 Bearing Cup (Timken 14276)..			5	186	PH-193	CORK OIL SEAL for bearing plate — flywheel end	1		1
161		1 ME-84-1 Bearing Cone (Timken 14130)			7	187	PH-244	FELT PACKING for PG-99 or PG-518 fuel tank straps	2		1
162	NC-143	FLYWHEEL	1	15	12	188	PH-282	FRICTION WASHER	1		1
164	OA-130-B	MAGNETO COUPLING DISC	1		1			For governor control.			
		OA-130 Disc — replaced by OA-130B.				190	PH-313	SHIM for governor sleeve.....	1		1
165	PA-218	CAMSHAFT SUPPORT PIN	1		6	192	PK-50-A	RETAINER for oil pump check ball..... PK-50 Retainer—replaced by PK-50-A.	1		1
166	PA-239	PIN for starting crank nut	1		1						

Order parts from nearest **SERVICE STATION** shown in directory following parts list.

IMPORTANT: Always give Model, Specification and Serial Numbers as shown on name plate.

PARTS INTERCHANGEABLE ON MODELS ADH, AE, AEH AND AEHS

Ref. No.	Part Number	Description	No. Req.	Net Wt.	
				Lb	Oz
193	PK-52	RETAINING RING for piston pin	2		1
194	PM-58	SPRING for oil pump plunger	1		1
196	PM-140	GOVERNOR SPRING, 3/8" dia. x 1-9/32" free length of coils	1		1
	PM-141	GOVERNOR SPRING, 5/16" dia. x 1-9/16" free length of coils	1		1
	PM-142	GOVERNOR SPRING, 1/4" dia. x 1-29/32" free length of coils	1		1
		NOTE: Three different springs are required to give the full range of speeds on these models of engines. Determine the part number of the spring by the dimensions shown above.			
197	Q-5-A	GASKET SET (For engines beginning with Serial 144062)..... Consisting of: 1 QC-56-B 1 QD-486 1 QD-489-B 1 QC-58 9 QD-487-A 2 QD-515 1 QD-484 1 QD-487-B 1 QD-518 1 QD-485 1 QD-488 Q-5 Gasket Set (For engines to and including Serial 144061)	1		6
		Same as Q-5A Gasket set except QC-53 carburetor gasket in place of QC-58.			6
198	QA-113	CONNECTING ROD SHIM, .002" thick .. (Beginning with engine Serial 697597). For DA-49A-S1 Connecting rod. QA-107 Connecting Rod Shim, 1/8" thick (For engines to and including Serial No. 697596) For DA-49-S1 Connecting rod.	2		1
200	QC-56-B	GASKET for manifold..... QC-56-A Gasket—replaced by QC-56-B.	1		1
201	QC-58	GASKET for carburetor	1		1
		(Beginning with engine Serial 144062). QC-53 Gasket for carburetor (For engines to and including Serial 144061)			1
202	QD-484	GASKET for cylinder head.....	1		1
203	QD-485	GASKET for connecting rod inspection plate	1		1
204	QD-486	GASKET for valve tappet inspection plate	1		1
205	QD-487-A	GASKET for main bearing plate, take-off end, .006" thick.....	9		1
206	QD-487-B	GASKET for main bearing plate, take-off end, .003" thick.....	1		1
207	QD-488	GASKET for cylinder base.....	1		1
208	QD-489-B	GASKET for engine base	1		1
209	QD-515	GASKET for magneto drive cover plate ..	3		1
210	QD-518	GASKET for bearing plate, flywheel end	1		1
211	QD-647	GASKET for air cleaner bracket clamp ..	1		1
213	RC-87	CAP for fuel tank	1		2
214	RD-107	OIL STRAINER	1		1

Ref. No.	Part Number	Description	No. Req.	Net Wt.	
				Lb	Oz
215	RF-269	STRAIGHT FITTING	1		1
		For fuel line — in strainer.			
216	RF-270	ELBOW for fuel line — in carburetor	1		1
217	RF-295	STRAIGHT FITTING in air cleaner bracket for breather line	1		1
218	RF-296	ELBOW in cylinder block for breather line	1		1
219	RG-22	SHUT-OFF VALVE for fuel line	1		2
		(Mounted in tank when fuel strainer is not used).			
221	RM-469	BREATHER LINE, air cleaner bracket to cylinder block. For engines with Zenith Carburetor.....	1		3
		RM-494 Breather Line, for engines with Stromberg Carburetor			3
222	RM-773	FUEL LINE, tubing with nuts, 17-5/8" long. For engines with fuel strainer in tank.....	1		5
		RM-472 Fuel Line—replaced by RM-773.			
		RM-1150 Fuel Line, 18-1/8" long	1		6
		For engines with shut-off valve in tank.			
223	SA-49	COVER PLATE for magneto drive gear	1		4
224	SA-87	COVER for oil pump trough.....	1		1
225	SD-31	RETAINER for crankshaft oil seal, take-off end	1		1
226	SD-39	RETAINER for crankshaft oil seal, flywheel end.....	1		1
227	SD-53-F	ENGINE INSTRUCTION and NAME PLATE	1		1
		When ordering name plate, give Model, Specification and Serial Numbers for correct stamping.			
228	SE-6	FLYWHEEL SCREEN, for engines with rope starter sheave.....	1		11
		SE-6-3 Flywheel Screen, for engines with hand crank starting	1		14
229	SE-70	AIR SHROUD.....	1		6
		SE-70-A Air Shroud, for engines with electric starting			6
230	SE-72	COVER for air shroud	1		11
232	TC-370-B	GOVERNOR GEAR SLEEVE	1		2
		TC-370 Sleeve—replaced by TC-370-B.			
233	TC-371-A	GOVERNOR FLYWEIGHT	2		1
		TC-371 Flyweight—replaced by TC-371A			
234	TC-372	GOVERNOR PLUNGER.....	1		1
235	TC-373	GOVERNOR SHAFT	1		2
236	TC-375	INNER GOVERNOR LEVER.....	1		1
237	TC-377-5	OUTER GOVERNOR LEVER and FULCRUM PIN with JK-52 'O' Ring	1		2
		TC-377 Lever and Pin — replaced by TC-377-5.			

Order parts from nearest **SERVICE STATION** shown in directory following parts list.

IMPORTANT: Always give Model, Specification and Serial Numbers as shown on name plate.

PARTS INTERCHANGEABLE ON MODELS ADH, AE, AEH AND AEHS

Ref. No.	Part Number	Description	No. Req.	Net Wt.		Ref. No.	Part Number	Description	No. Req.	Net Wt.	
				Lb	Oz.					Lb	Oz.
238	TC-378	GOVERNOR FLYWEIGHT ASSEMBLY Consisting of: 1 GD-98 Gear 1 TC-370-B Sleeve 2 TC-371-A Flyweights 1 TC-372 Plunger 2 XJ-45 Rivets	1		12		Y-58	MAGNETO, 'WICO' No. XH-150 Y-20-D Wico No. C-150C Magneto - replaced by Y-58.			5
							Y-64	MAGNETO, 'EDISON' AJ1-Spec. 72020 Y-56 Edison 03884 Magneto - replaced by Y-64. NOTE: These engines are equipped with any one of the magnetos listed above. See magneto bulletins in back of manual for service replacement parts list.			6
240	TT-52	GOVERNOR CONTROL ASSEMBLY Consisting of: 1 PG-358 Strap 2 PE-14 Washer 1 PH-282 Washer 4 XA-7 Screw 1 VB-145 Lever 1 XA-35 Screw 1 VC-29 Disc 1 XE-47 Screw 1 #1/10 Safety Chain 1 XI-7 Pin	1		10	258	YD-6-S1 or YD-6-S2	SPARK PLUG, 18mm, Champion # D-16 SPARK PLUG, 18mm, AC #C86 Commercial	1		
241	U-212	STARTING CRANK	1	1	7	259	YD-12	SPARK PLUG SAFETY NIPPLE	1		1
242	U-268	STARTING ROPE U-218-A, replaced by U-268.	1		4	260	YL-120	IGNITION WIRE, for Wico Model XH, Fairbanks-Morse and Edison magnetos.. YL-83 Ignition Wire with loop terminal at magneto end	1		2
243	U-222	ROPE STARTER SHEAVE	1	1	6			For Wico Model 'C' magneto.	1		2
244	UC-74-S1	STARTING CRANK NUT ASSEMBLY Consisting of: 1 PA-239 Pin 1 UC-74 Crank nut	1		10						
246	VB-145	GOVERNOR CONTROL LEVER	1		3						
247	VC-29	FRICITION DISC for governor control	1		4						
248	VE-150-2	GOVERNOR SPRING ADJUSTING SCREW	1		1						
249	VE-438	CONTROL ROD to carburetor.....	1		1						
250	WD-66-A-S1	MUFFLER	1		14						
		Includes LJ-158 Pipe Nipple. WD-35 & WD-39, replaced by WD-66A-S1.									
251	WE-14-K	FUEL TANK, round, with RC-87 Cap, 1.35 gal. capacity	1	2	7	271	PB-160	SCREW, 1/4"-28 thread x 1/2" long, hexagon head For mounting air cleaner brace to bracket.	1		1
		WE-14-A, replaced by WE-14-K.									
252	WE-37-F	FUEL TANK, oval, with RC-87 Cap, 2.75 gal. capacity	1	3	5	272	PD-10	NUT, 5/16"-24 thread, hexagon steel For connecting rod bolts.	2		1
		WE-37-C, replaced by WE-37-F. NOTE: Fuel tanks are mounted to the tank bracket with steel binder strapping which is not serviceable in the field. When replacing fuel tank, be sure and order correct replacement straps.				273	PD-11	NUT, 3/8"-24 thread, hexagon steel For engine base stud.	1		1
253	XJ-45	RIVET for governor flyweight.....	2		1	274	PD-77	NUT, 1/4"-20 thread, hexagon steel 4-for air shroud cover studs. 2-for fuel tank straps. 1-for spark plug wire clip. 1-for air cleaner brace to shroud.	8		1
254	XK-4	PIPE PLUG, 1/2" square head	2		2	275	PD-115	NUT, No. 10-32 thread, hexagon steel For governor spring adjusting screw.	2		1
		For oil drain. XK-3, 3/8" Plug, replaced by XK-4 (not interchangeable).				276	PD-141	NUT, 5/16"-24 thread, hexagon steel For governor lever.	1		1
255	XK-4	PIPE PLUG, 1/2" square head	2		2	277	PD-147	WING NUT, 1/4"-20 thread For mounting air cleaner.	1		1
		For oil filler.									
257	Y-72	MAGNETO, 'FAIRBANKS-MORSE' No. FM-X1A7	1	4	14						
		Y-34 Fairbanks-Morse No. FM-J1A7 - replaced by Y-72.									

Order parts from nearest **SERVICE STATION** shown in directory following parts list.
IMPORTANT: Always give Model, Specification and Serial Numbers as shown on name plate.

PARTS INTERCHANGEABLE ON MODELS ADH, AE, AEH AND AEHS

Ref. No.	Part Number	Description	No.			Ref. No.	Part Number	Description	No.		
			Req	Lb	Oz				Req	Lb	Oz
279	PE-3	LOCKWASHER, ¼" Positive 2-for oil pump body and trough. 1-for shroud to cylinder head. 2-for mounting magneto. 2-for fuel tank straps. 1-for air shroud to cylinder block. 1-for spark plug wire clip. 2-for air cleaner brace and bracket. 1-for governor gear stop screw.	12		1	299	XA-67	SCREW, Parker-Kalon No. 4 x ¼" long, type A, self-tapping round head screw.... For mounting name and instruction plate.	4		1
280	PE-4	LOCKWASHER, 5/16" Positive 4-for main bearing plate—flywheel end. 2-for mounting manifold. 2-for mounting carburetor.	8		1	300	XA-88	SCREW, ¼"-20 thread x 1-5/8" long, round head—for fuel tank straps.....	2		1
281	PE-5	LOCKWASHER, 3/8" Positive 4-for main bearing plate—take-off end. 4-for mounting engine base to crankcase 2-for mounting fuel tank bracket.	10		1	302	XB-20	SCREW, ¼"-20 thread x 1" long, fillister head For air cleaner bracket clamp.	1		1
282	PE-7	LOCKWASHER, ½" Positive For mounting cylinder block to crank- case.	4		1	303	XB-82	SCREW, ¼"-20 thread x 7/8" long, socket head capscrew for governor gear stop For engines beginning with Serial No. 1956917. TC-379 Stop Pin and 2 XI-1 Cotter Pin (available for service) for engines to and including Serial No. 1956916. Re- placed by XB-82 Screw and PE-3 Lock- washer, but not interchangeable.	1		1
283	PE-14	LOCKWASHER, No. 10 Positive..... For governor control friction disc.	2		1	304	XD-4	SCREW, ¼"-20 thread x ½" long, hex- agon head 4-for magneto drive cover. 1-for air shroud to cylinder head. 1-for shroud to cylinder block. 6-for connecting rod inspection plate. 1-for air cleaner brace to shroud.	13		1
285	PH-22	PLAIN WASHER, 3/8" I.D. x 11/16" O.D. x 1/16" thick, steel For cylinder head bolts.	6		1	305	XD-5	SCREW, ¼"-20 thread x 5/8" long, hex- agon head For mounting oil trough.	2		1
286	PH-30	PLAIN WASHER, ¼" I.D. x 7/16" O.D. x 1/16" thick, copper..... For valve tappet inspection plate.	1		1	306	XD-6	SCREW, ¼"-20 thread x 3/4" long, hex- agon head For mounting magneto.	2		1
287	PH-30-A	PLAIN WASHER, ¼" I.D. x 7/16" O.D. x 1/16" thick, steel 6-for connecting rod inspection plate. 4-for magneto drive cover.	10		1	307	XD-15	SCREW, 5/16"-18 thread x 3/4" long, hexagon head 4-for bearing retainer plate—flywheel end. 2-for mounting carburetor.	6		1
288	PL-14	WOODRUFF KEY, No. 5 For magneto drive gear.	1		1	309	XD-21	SCREW, 5/16"-18 thread x 1½" long, hexagon head For mounting manifold.	2		2
289	PL-55	WOODRUFF KEY, No. 6 For crankshaft gear.	1		1	310	XD-26	SCREW, 3/8"-16 thread x 7/8" long, hexagon head 4-for main bearing plate—take-off end. 2-for mounting fuel tank bracket.	6		1
290	PL-87	WOODRUFF KEY, No. 22, for flywheel..	1		1	311	XD-28	SCREW, 3/8"-16 thread x 1-1/8" long, hexagon head For mounting engine base to crankcase	3		1
292	RF-794	PIPE NIPPLE, 1/8" x 3/4" long For mounting fuel strainer.	1		1	312	XD-29	SCREW, 3/8"-16 thread x 1¼" long, hexagon head For mounting cylinder head.	3		2
293	SA-13	EXPANSION PLUG, 3/4" For camshaft pin hole.	1		1	313	XD-30	SCREW, 3/8"-16 thread x 1½" long, hexagon head For mounting cylinder head.	3		2
295	XA-7	SCREW, No. 10-32 thread x 3/8" long, round head 2-for governor control friction disc. 2-for governor adjusting strap to lever.	4		1	315	XD-135	SCREW, ½"-13 thread x 1-1/8" long, hexagon head For mounting cylinder block to crank- case.	4		2
296	XA-33	SCREW, ¼"-20 thread x 3/8" long, round head For mounting flywheel shroud screen.	4		1						
297	XA-35	SCREW, ¼"-20 thread x 5/8" long, round head For governor control lever to friction disc.	1		1						
298	XA-65	SCREW, Parker-Kalon No. 8 x ½" long, type A, self-tapping round head screw For governor adjusting screw bracket.	2		1						

Order parts from nearest **SERVICE STATION** shown in directory following parts list.

IMPORTANT: Always give Model, Specification and Serial Numbers as shown on name plate.

PARTS INTERCHANGEABLE ON MODELS ADH, AE, AEH AND AEHS

Ref. No.	Part Number	Description	No. Req	Net Wt.	
				Lb	Oz
316	XD-10	SCREW, ¼"-20 thread x 1¼" long, hexagon head..... For valve tappet inspection plate. XD-136, 2-1/8" long — replaced by XD-10, but invert cover.	1		1
317	XE-47	SET SCREW, ¼"-20 thread x ¾" long, headless..... For governor control friction disc.	1		1
318	XH-11	TAPER PIN, No. 2 x 1½" long..... For magneto drive gear.	1		1
320	XI-7	COTTER PIN, 3/32" dia. x 3/4" long, steel..... For mounting governor control chain to adjusting strap.	1		1
321	XI-20	COTTER PIN, 1/8" dia. x 1½" long, steel..... For oil pump trough cover.	1		1
322	XI-32	COTTER PIN, 3/64" dia. x 3/8" long, steel..... For control rod to governor lever.	1		1
324		No. 1/10 SAFETY CHAIN (10 links) For governor control adjusting strap to governor spring.	1 pc		1

Order parts from nearest **SERVICE STATION** shown in directory following parts list.
IMPORTANT: Always give Model, Specification and Serial Numbers as shown on name plate.