

**WISCONSIN  
MODEL VG4D**

---

ILLUSTRATED  
**PARTS**  
CATALOG

V  
G  
4  
D



**WISCONSIN  
MOTORS, LLC**

---

## SERVICE FACILITIES

**WISCONSIN MOTORS, L.L.C.** Distributors and Service Centers, located throughout the U.S. and foreign countries, have been carefully selected to insure complete and efficient repair and inspection services to owners of **WISCONSIN MOTORS** Engines. These service centers, equipped and staffed for complete engine repair, also stock engines parts to facilitate immediate delivery for the complete line of **WISCONSIN MOTORS** Engines.

Order parts from the **WISCONSIN MOTORS, L.L.C.** Distributor or Service Center in your locality. Refer to the Yellow Pages of the Telephone Directory under **ENGINES**, or write to **WISCONSIN MOTORS, L.L.C.** for a free copy of a list of authorized Distributors and Service Centers. Do not order parts from **WISCONSIN MOTORS, L.L.C.** in Memphis, TN.

The MODEL, SPECIFICATION and SERIAL NUMBER of your engine must be given when ordering parts. The MODEL and SPECIFICATION number are on the name plate. The SERIAL NUMBER is stamped either on the crankcase or the engine's identification tag.

Copy the MODEL, SPECIFICATION and SERIAL NUMBER in the spaces provided below so that it will be available when ordering parts.

**MODEL**

**SPECIFICATION**

**SERIAL NUMBER**

To insure prompt and accurate service, the following information must also be given:

1. State EXACTLY the quantity of each part and part number.
2. State definitely whether parts are to be shipped by express, freight or parcel post.
3. State exact mailing address.

## Introduction

This catalog is designed to identify Wisconsin parts.

When ordering parts, it is always advisable to list the engine model, specification number and serial number. With this information, we can check your order for any incorrect part numbers. Use your Service Parts List to insure proper part number and nomenclature identification.

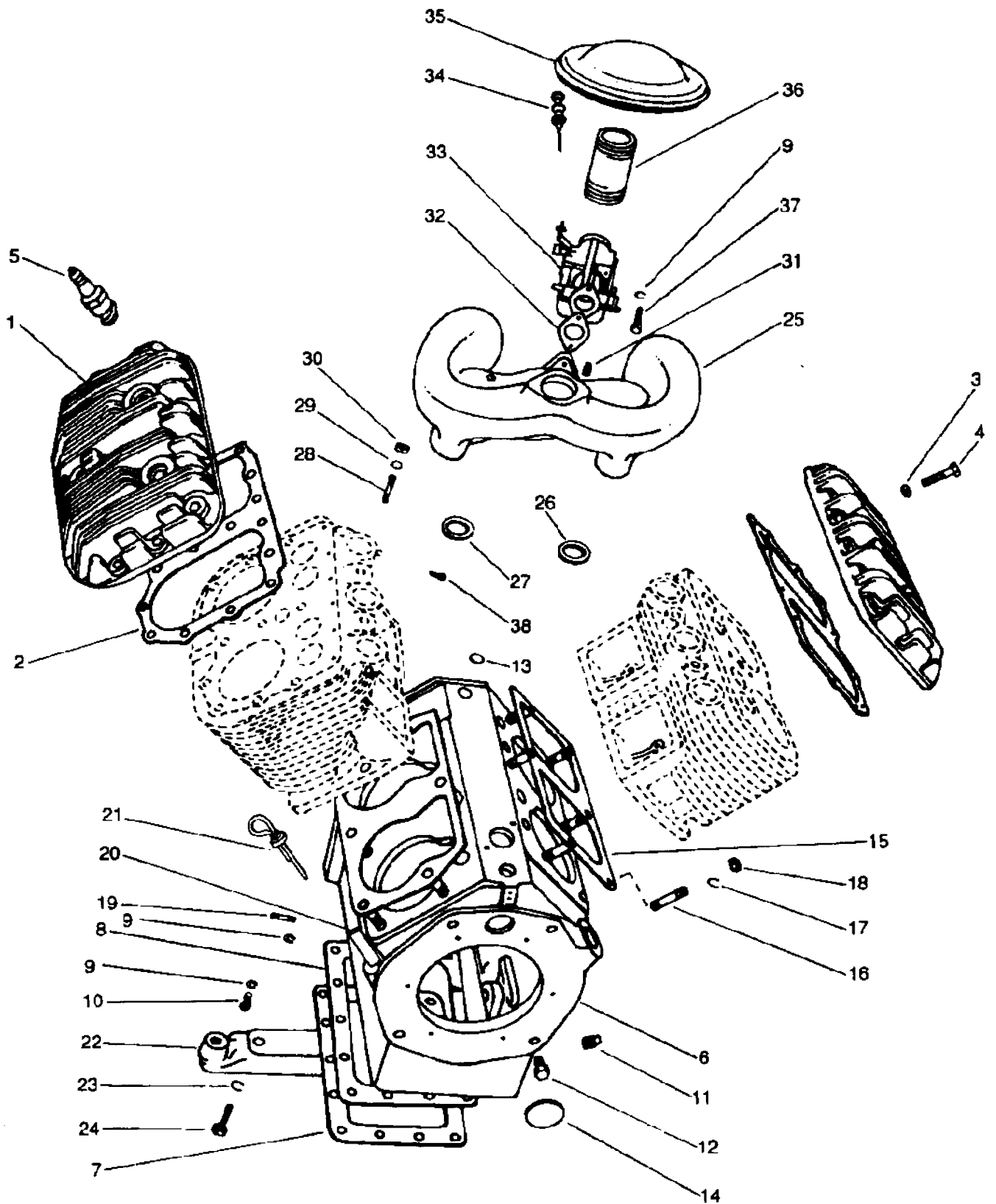
Wisconsin Motors, LLC reserves the right to modify, alter and improve engines and parts. Part numbers and the structure of parts may change from those shown in this catalog.

## Table of Contents

Manifold and Crankcase .....	2 - 4
Crankshaft, Piston and Connecting Rod .....	6 - 8
Cylinder Block Assembly .....	10
Camshaft and Fuel Pump Mounting .....	12
Oil Filter and Oil Filler Mounting .....	14
Oil Pump Assembly .....	16
Magneto and Gear Cover .....	18
Governor Assembly .....	20
Air Shrouding .....	22
Engine Gasket Set .....	24

### OPTIONS:

Carburetor .....	28 - 30
Magneto .....	32 - 34
Distributor .....	35 - 37
Starter .....	38 - 39



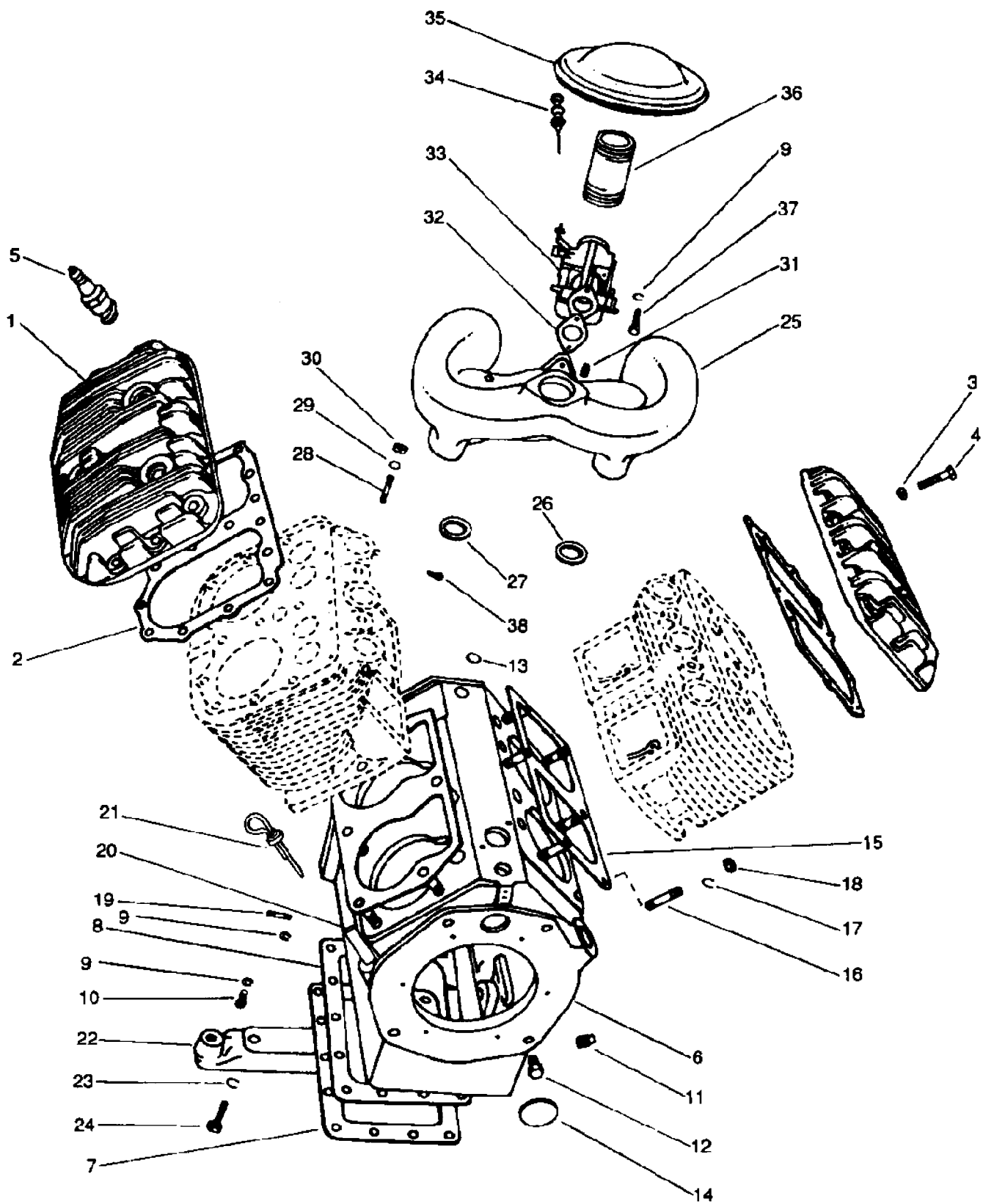
## Manifold and Crankcas

ITEM	PART NO.	DESCRIPTION	QTY
1	AB111	Cylinder head .....	2
2	QD631	Gasket, cylinder head .....	2
3	PH22	Washer, 3/8" x 11/16" .....	34
4	XD30	Screw, 3/8"-16 x 1-1/2" long (special hardness) .....	34
5	YD6S1	Spark plug, Champion No. D-16-J .....	4
6	* BA49AS1	Crankcase assembly (includes items 12-14, 16, 19; and oil filler neck and screen, oil header tube, oil spray nozzles and dipstick, and tube adapter for oil filler side of engine) ..	1
7	BH155A	Cover plate, crankcase bottom .....	1
8	QD635	Gasket, bottom cover plate .....	1
9	PE4	Lock washer, 5/16" spring lock .....	16
10	XD14	Screw, 5/16"-18 thread x 5/8" long .....	14
11	XK4	Pipe plug, 1/2" square head, oil drain .....	1
12	PF143	Plug, for 5/8"-11 tap in face of case, upper left hand .....	1
13	SA26	Plug, 5/8" expansion, for camshaft oil hole .....	2
14	SA58	Plug, 1-3/8" expansion .....	1
15	QD632	Gasket, cylinder base .....	2
16	PC435	Stud, cylinder block mounting .....	12
17	PE7	Lock washer, 1/2" spring lock .....	10
—	PE81	Washer, 1/2" external everlock for center stud in vee .....	2
18	PD13	Nut, 1/2"-20 thread .....	12
19	XD14A	Screw, 5/16"-18" x 5/8" .....	2
20	** RF1495F	Adapter tube, dipstick (optional on starter side) .....	1
21	** RJ173A	Dipstick, 6-1/4" long (optional on starter side) .....	1
22	BK72	Engine support, cast iron .....	2
23	PE37	Lock washer, 5/8" spring lock .....	4
24	XD52	Screw, 5/8"-11 x 1-3/4" long .....	4

\* BA49AS1 is standard machining number. A dash number is added for any special machining (located on marking pad).

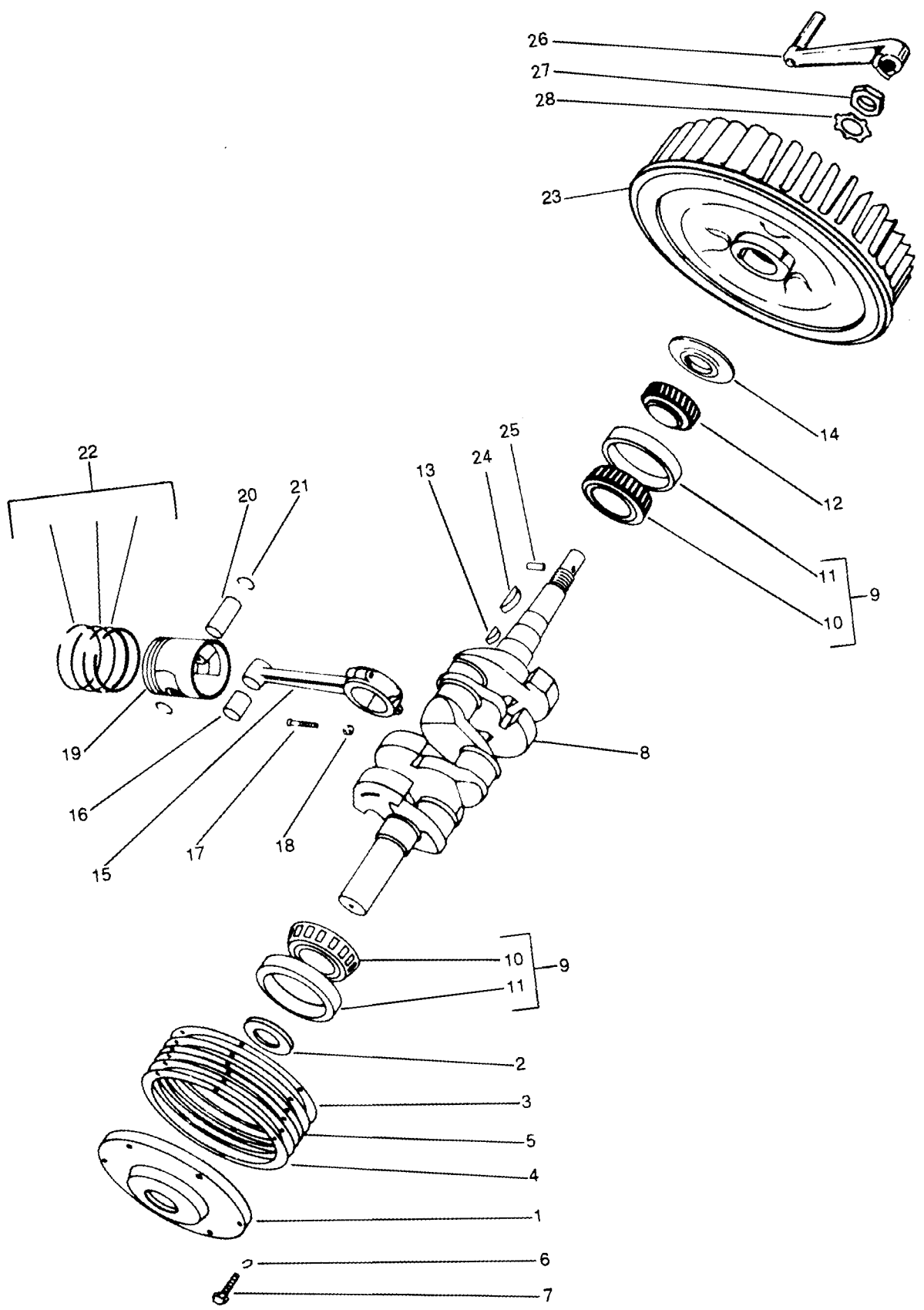
\*\* See page 14 for standard dipsitck and adapter

*continued on page 4*



## Manifold and Crankcase (cont.)

ITEM	PART NO.	DESCRIPTION	QTY
25	LD240	Inlet and exhaust manifold (Vertical) .....	1
—	LD240-1	Manifold for power units .....	1
—	LD240C	Inlet and exhaust manifold (Horizontal)	
26	QB83	Insert, manifold gasket .....	6
27	QC66	Gasket, manifold to cylinder block (replaces QC62) .....	6
28	PC615	Stud, manifold to cylinder block, (included with AA90AS8 cylinder block assy.) .....	4
29	PH79A	Washer, 7/16" x 13/16" x 1/8", manifold to cylinder block .....	4
30	PD207	Nut, 7/16"-20 thread, manifold to cylinder block .....	4
31	XK1	Pipe plug, 1/8" square head .....	1
32	QC12A	Gasket, carburetor .....	3
33	L57-1S1	Carburetor, Facet No. 11532 .....	1
34	VE693-1	Choke control .....	1
35	WD101	Muffler, standard .....	1
36	LJ161	Pipe nipple, 1-1/2" x 2" long .....	1
37	XD19	Screw, 5/16"-18 x 1-1/4" long .....	2
38	XA33	Screw, 1/4"-20 x 3/8" long, for tap in cylinder block (R.H. side) .....	1





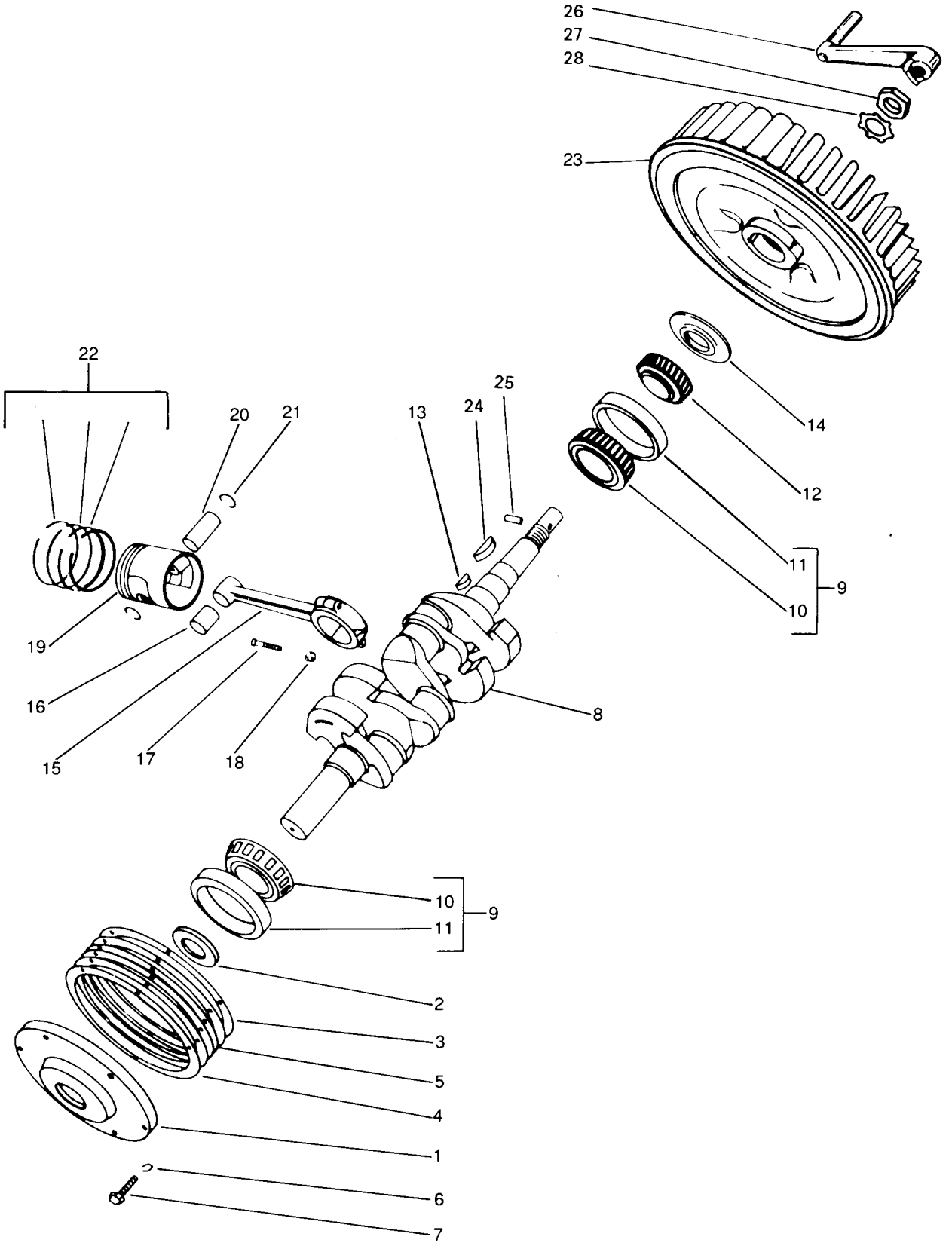
## Crankshaft, Piston and Connecting Rod

ITEM	PART NO.	DESCRIPTION	QTY
1	BG193A6S2	Main bearing plate assembly (includes items 2 & 11).....	1
2	PH269	Main bearing oil seal, take-off end.....	1
3	QD636B	Gasket, bearing plate, .006" thick .....	3
4	QD636A	Gasket, bearing plate, .003" thick .....	3
5	QF67C	Shim, bearing plate, .014" thick .....	1
6	PE5A	Lock washer, 3/8" spring lock, main bearing plate .....	6
7	XD29C	Screw, 3/8"-16 x 1-1/4" long main bearing plate .....	6
8	** CA69CS1	Crankshaft assembly (includes items 9, 12-14) .....	1
9	ME98	Main bearing (includes items 10 - 11).....	2
10	* —	Cone.....	1
11	* —	Cup .....	1
12	GA35A1	Crankshaft gear, standard .....	1
—	GA35C	Crankshaft gear, hardened .....	1
13	PL49	Woodruff key, No. 15 .....	1
14	RK173	Oil sling .....	1
15	DA66BS1	Connecting rod, shell bearing type (includes items 16-18) (replaces DA66AS1) (shell bearings not furnished) .....	4
—	HA135S	Shell bearing, 2 halves .....	4
—	HA135S1	Shell bearing, .001" .....	1
—	HA135S2	Shell bearing, .002" .....	1
—	HA135S10	Shell bearing, .010" .....	1
—	HA135S20	Shell bearing, .020" .....	1
16	HG131C	Piston pin bushing.....	4
17	PB146-1S1	Connecting rod bolt assembly (includes item 18) .....	8
18	PD247	Nut, 3/8"-24 thread, special .....	8
19	DB183D1SP	Piston, standard (includes items 20 & 21) (replaces DB183D) .....	4
—	DB183D1SP10	Piston, 0.010" O/S.....	4
—	DB183D1SP20	Piston, 0.020" O/S.....	4
—	DB183D1SP30	Piston, 0.030" O/S.....	4

\* Not serviced separately.

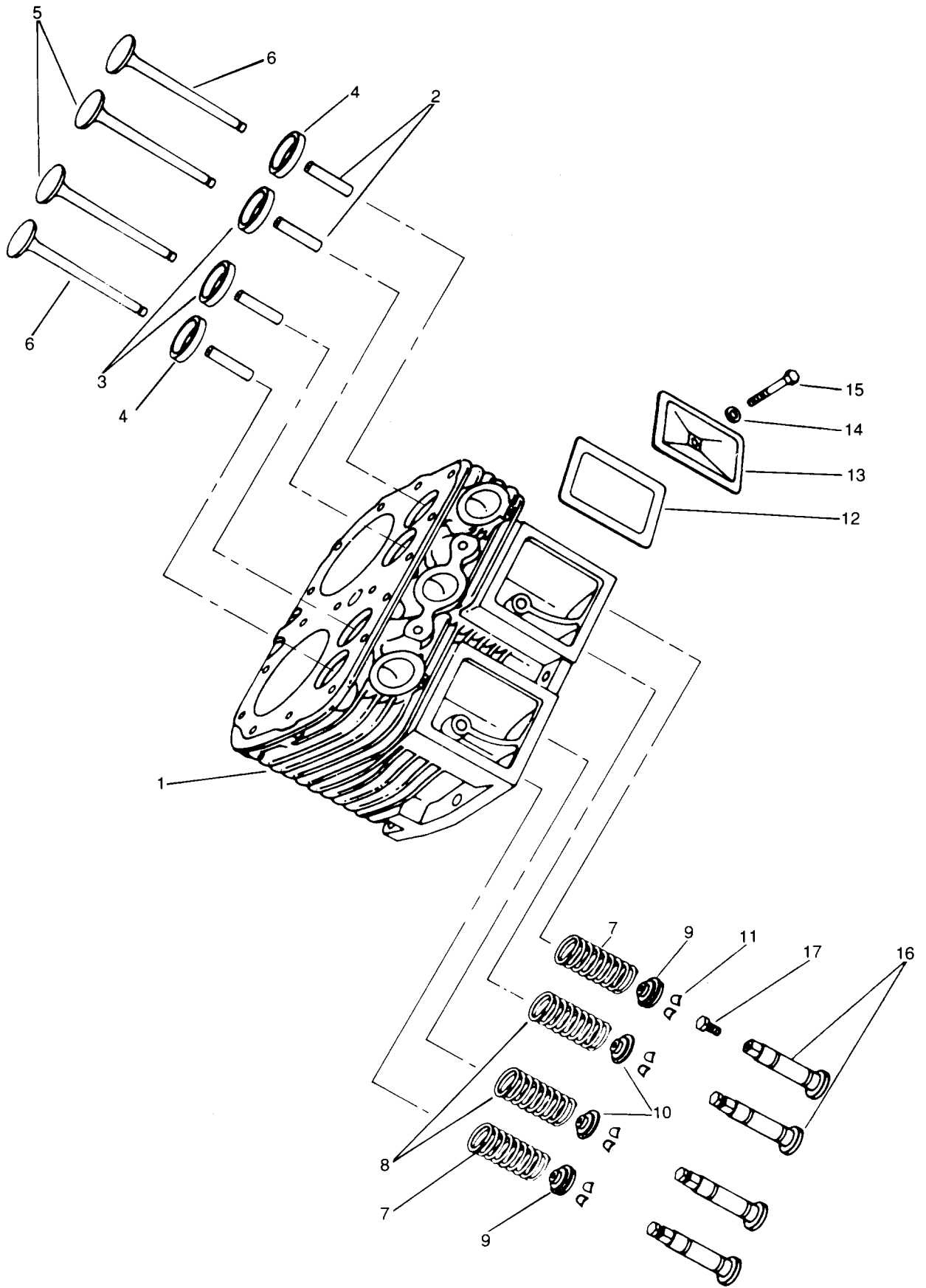
\*\* CA69CS1 is standard machining number. A dash number is added for any special machining (located on marking pad).

*continued on page 8*



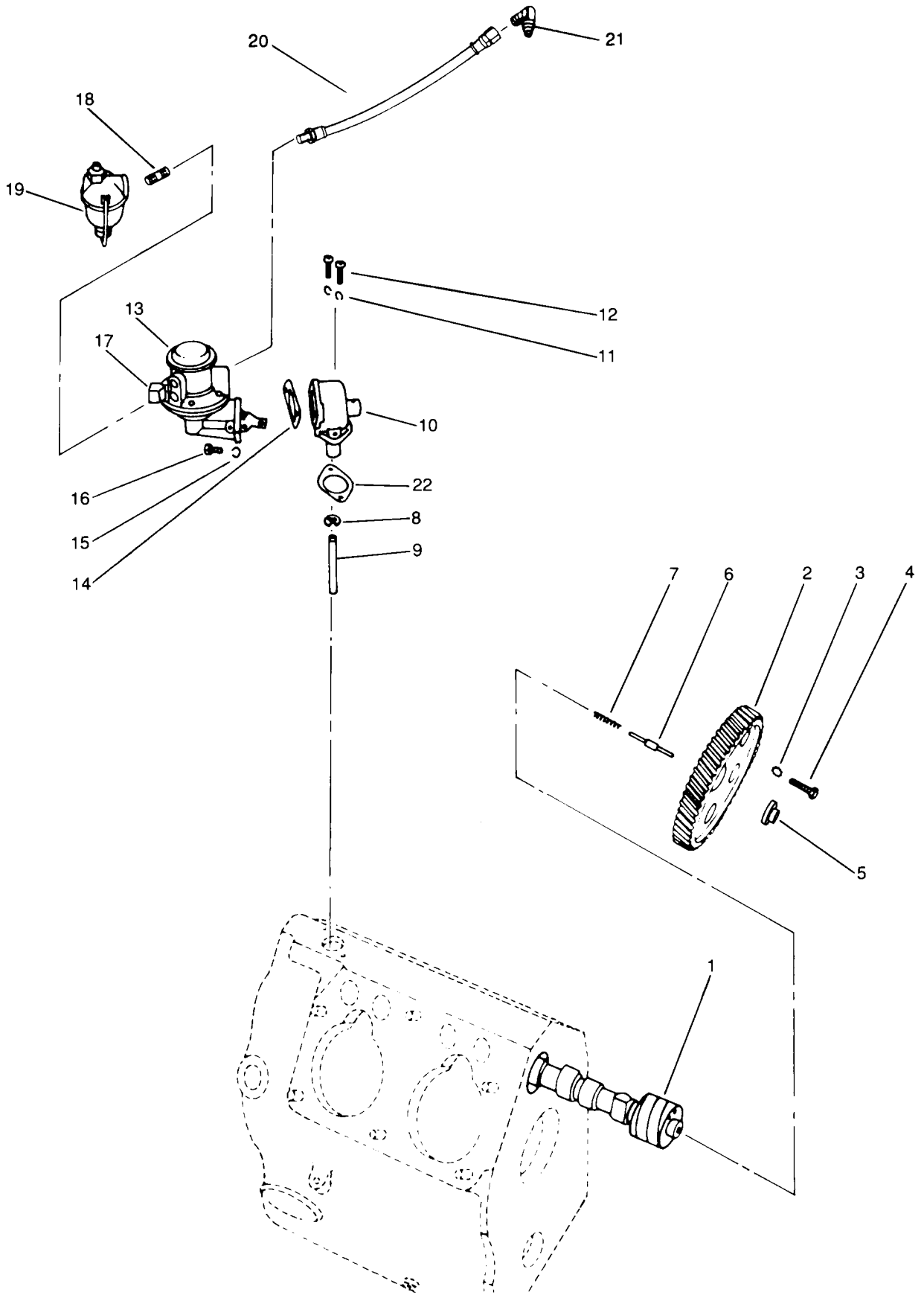
## Crankshaft, Piston and Connecting Rod (cont.)

ITEM	PART NO.	DESCRIPTION	QTY
20	DE59	Piston pin, standard; also available in .005" & .010" O/S .....	4
21	PK37A	Retaining ring (replaces PK37) .....	8
22	DR15D	Piston ring set, standard .....	1
—	DR15DS10	Piston ring set, 0.010" O/S .....	1
—	DR15DS20	Piston ring set, 0.020" O/S .....	1
—	DR15DS30	Piston ring set, 0.030" O/S .....	1
—	DR44	Optional Trichrome ring set .....	1
—	DR44S10	Optional Trichrome ring set, 0.010" O/S .....	1
—	DR44S20	Optional Trichrome ring set, 0.020" O/S .....	1
—	DR44S30	Optional Trichrome ring set, 0.030" O/S .....	1
23	N100A	STD- flywheel assy. w/ring gear <b>LESS</b> FWA, rotating screen and stub shaft .....	1
	N100B14	Flywheel assy. w/ring gear for rotating screen and stub shaft <b>LESS</b> FWA .....	1
	N120	25 amp FWA only .....	1
	N120D	30 amp FWA only .....	1
	N120-1	25 amp FWA, rotating screen & stub shaft .....	1
	N120D1	30 amp FWA, rotating screen & stub shaft .....	1
24	PL24	Woodruff key, No. 29 .....	1
25	PA334	Pin, starting crank .....	1
26	U226	Starting crank .....	1
27	PD157	Nut, flywheel mounting .....	1
28	PE65-1	Lock washer .....	1



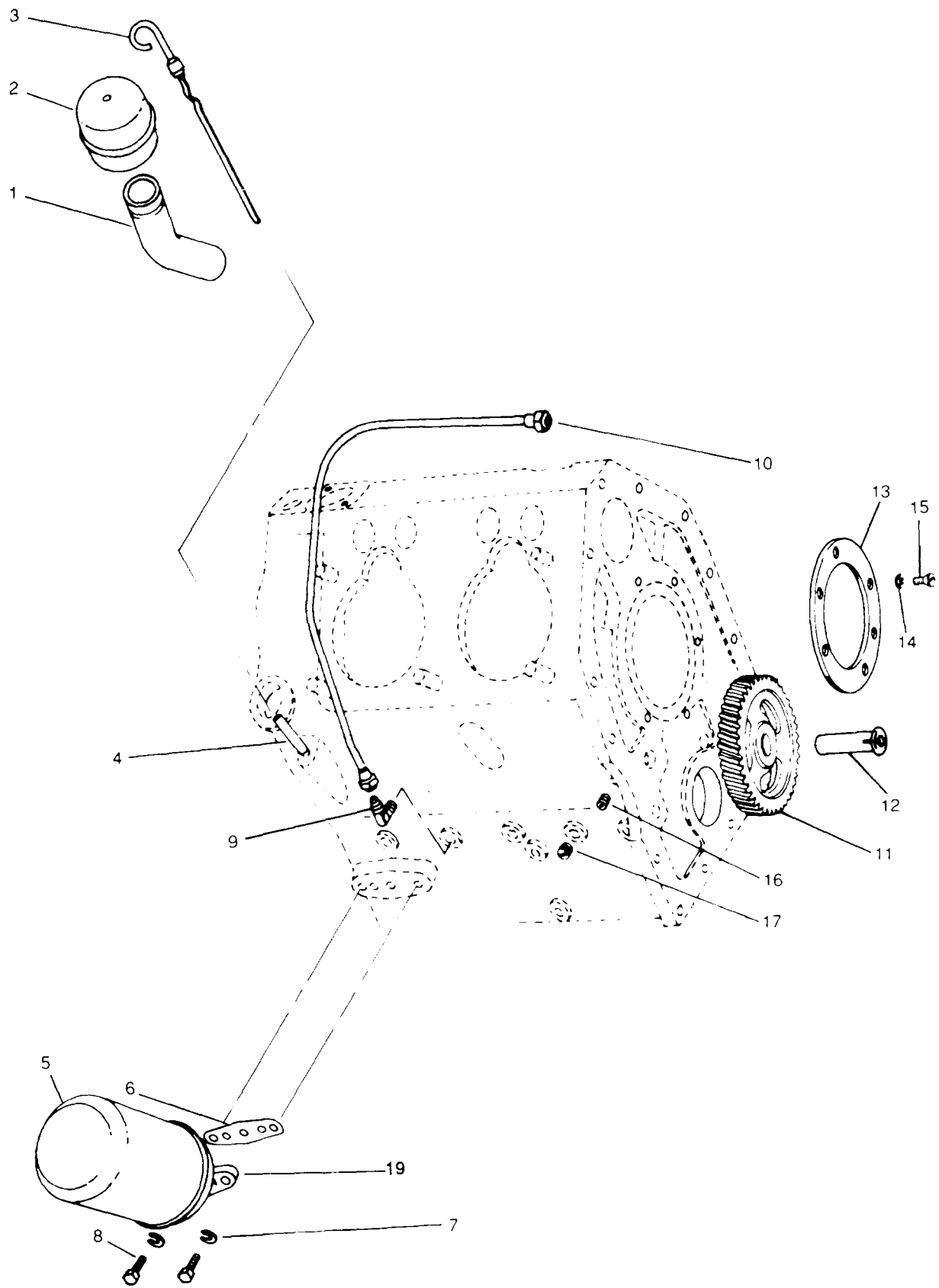
## Cylinder Block Assembly

ITEM	PART NO.	DESCRIPTION	QTY
1	AA90AS8	Cylinder block assembly (includes items 2-15).....	2
2	AD42	Valve stem guide, inlet and exhaust.....	8
3	HG150A	Valve seat insert, inlet.....	4
4	HG272D	Valve seat insert, Stellite exhaust.....	4
5	AE76E	Inlet valve.....	4
6	AE76D	Exhaust valve.....	4
7	AF55	Valve spring, exhaust.....	4
8	AF52	Valve spring, inlet.....	4
9	AG31	Valve rotator and seat, exhaust.....	4
10	AG26	Valve spring seat, inlet.....	4
11	AH9	Lock, valve spring seat.....	16
12	QD482	Gasket, valve inspection cover.....	4
13	BH103	Inspection plate, valve tappet.....	4
14	PH441	Plain washer, 5/16".....	4
15	XD23	Screw, 5/16"-18 x 2" long.....	4
16	F71	Valve tappet (includes item 17) (replaces F60).....	8
17	PB169A	Valve tappet adjusting screw.....	8



## Camshaft and Fuel Pump Mounting

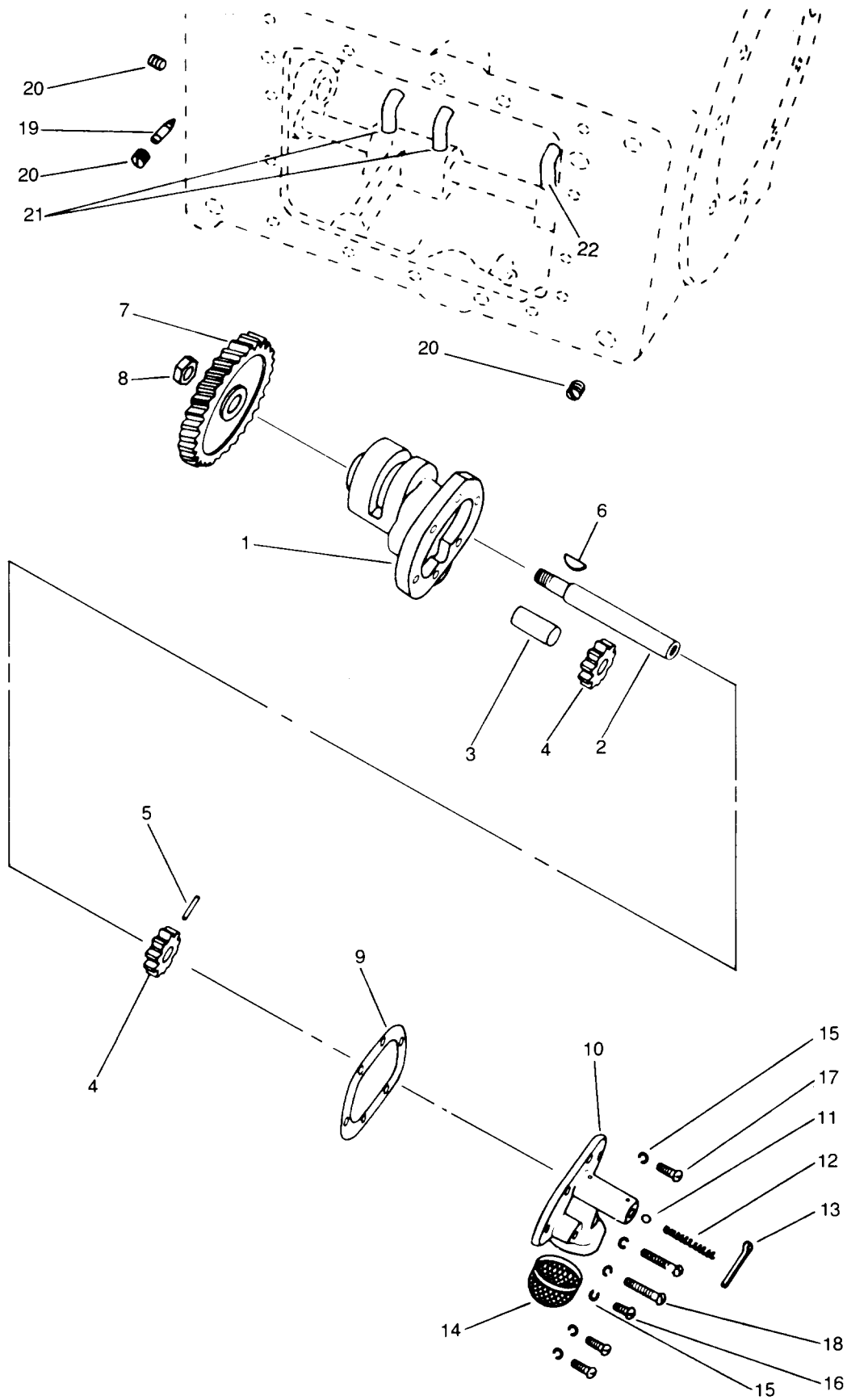
ITEM	PART NO.	DESCRIPTION	QTY
1	EA112	Camshaft .....	1
2	GB46	Camshaft gear .....	1
3	PE46	Lock washer, 5/16", external everlock .....	3
4	XD19	Screw, 5/16"-18 x 1-1/4" long .....	3
5	PF52	Button .....	1
6	PF101	Thrust plunger, camshaft .....	1
7	PM108	Spring, camshaft thrust plunger .....	1
8	PK176	Plunger clip (use on fuel pump with primer) .....	1
9	TA111A1	Plunger, fuel pump without primer (standard) .....	1
—	TA111A	Plunger, fuel pump with primer .....	1
10	TF96-19	Adapter assembly (includes 8-9) .....	1
—	TF96-4	Adapter for open engines .....	1
—	TF96-7	Adapter for power units .....	1
11	PE3	Lock washer, 1/4" spring lock .....	2
12	XD6	Screw, 1/4"-20 x 3/4" long .....	2
13	LP38ES1	Fuel pump, open engine (includes item 14) .....	1
—	LQ46	Repair kit, fuel pump for open engine .....	1
—	LP38HS1	Fuel pump, power unit (includes item 14) .....	1
—	LQ47	Repair kit, fuel pump for power unit .....	1
14	QD538A	Gasket, fuel pump mounting .....	1
15	PE4	Lock washer, 5/16" spring lock .....	2
16	XD15	Screw, 5/16"-18 x 3/4" long .....	2
17	XK38	Elbow, 1/8" x 90° .....	1
18	RF794	Pipe nipple, 1/8" x 3/4" long .....	1
19	LP19B	Fuel strainer, Tillotson OW-444 .....	1
—	LQ32	Repair kit, fuel strainer .....	1
20	RM1049K	Hose assy, fuel pump to carb(replaces RM1049L) .....	1
21	RF1225	Elbow, 90°; (at carb fuel inlet, (replaces RF269) .....	1
22	QD67	Gasket, fuel pump adapter .....	1
—	SA69	Cover, for engines w/o fuel pump (not shown) .....	1
—	XA34	Screw, 1/4"-20 x 1/2" for mounting cover (not shown) .....	2





## Oil Filter and Oil Filler Mounting

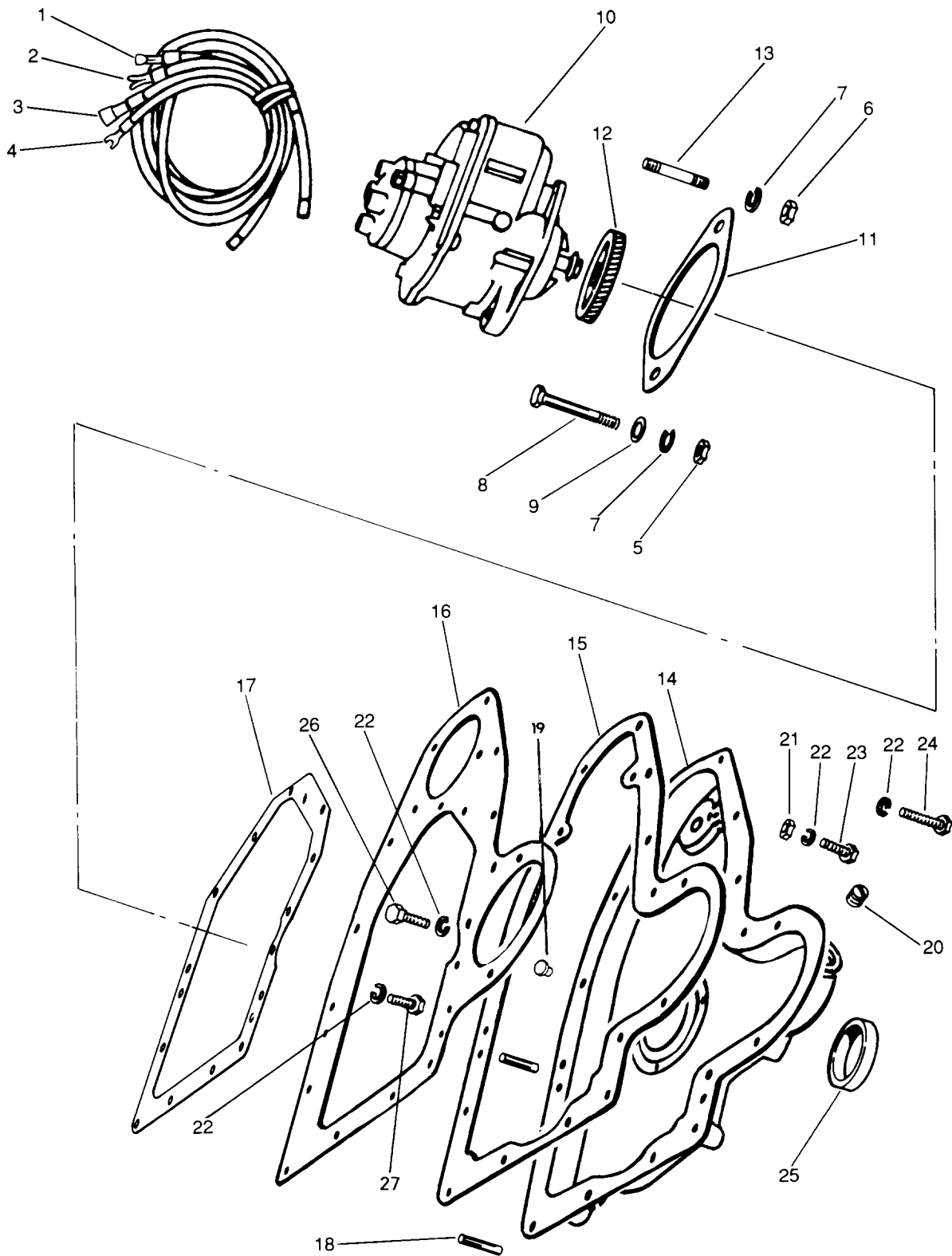
ITEM	PART NO.	DESCRIPTION	QTY
1	LJ300M	Oil filler tube .....	1
2	LO60-1	Oil filler and breather cap .....	1
3	RJ173	Dipstick, 10" long, standard .....	1
4	RF1495A	Adapter tube, dipstick (mount with "Loctite"), std. ....	1
5	RV52S4	Oil filter cartridges, 4 pack .....	1
—	RV52A1	Oil filter base assembly .....	1
6	QD595A	Gasket, oil filter mounting .....	1
7	PE4	Lock washer, 5/16", spring lock .....	2
8	XD17B	Screw, oil filter mounting (special 5/16"-18 x 1") .....	2
9	RF1225	Elbow, oil line to governor .....	1
10	RM536	Oil line, crankcase to governor .....	1
11	GC28-1	Idler gear (includes HG279 bushing) .....	1
12	PJ105	Stud, idler gear .....	1
13	BG223	Plate, bearing retainer, flywheel end .....	1
14	PE4	Lock washer, 5/16" for bearing retainer plate .....	6
15	XD17	Screw, 5/16"-18 x 1" long for bearing retainer plate .....	6
16	XE55	Screw, 5/16"-18 x 3/8" long, Allen head set .....	1
17	PF18	Pipe plug, 1/8" slotted .....	9
18	RF1536	Stud, oil filter (not shown) .....	1
19	RV52A	Base, oil filter, after S/N 5984980 .....	1
—	RC91	Screen, oil filler (optional) (not illustrated) .....	1



## Oil Pump Assembly

ITEM	PART NO.	DESCRIPTION	QTY
—	* K129	Oil pump assembly (replaces K95L) .....	1
1	KA61D2S1	Body assembly, oil pump (includes items 2-5) .....	1
2	* KD121B	Shaft, oil pump drive (includes item 4) (replaces KD121S1) .....	1
3	KD122A	Stub shaft .....	1
4	* KC66	Gear, driver and driven (replaces KC56A) .....	2
5	PA64	Pin, oil pump gear 1/8" dia. x 3/4" long .....	1
6	PL137	Woodruff key, No. 1, oil pump drive gear .....	1
7	GD94C	Gear, oil pump drive .....	1
8	PD195	Nut, oil pump gear .....	1
9	QD535A	Gasket, oil pump cover (not included in engine gasket set) .....	1
10	KB42S2	Cover assembly (includes 11-16) .....	1
11	ME60	Steel ball, 1/4" dia. ....	1
12	PM111	Spring, relief valve .....	1
13	XI16	Cotter pin, relief valve, 1/8" x 1" .....	1
14	RD112	Screen, oil pump .....	1
15	PE14	Lock washer, #10 spring lock .....	7
16	XA7	Screw, #10-32 x 3/8" long, oil pump screen .....	1
17	XA8	Screw, #10-32 x 1/2" long, oil pump cover .....	4
18	XA56	Screw, #10-32 x 1-1/4" long, oil pump cover .....	2
19	PI143B	Lock screw, oil pump .....	1
20	PF18	Pipe plug, 1/8" slotted .....	3
21	RF1121	Nozzle, oil spray .....	4

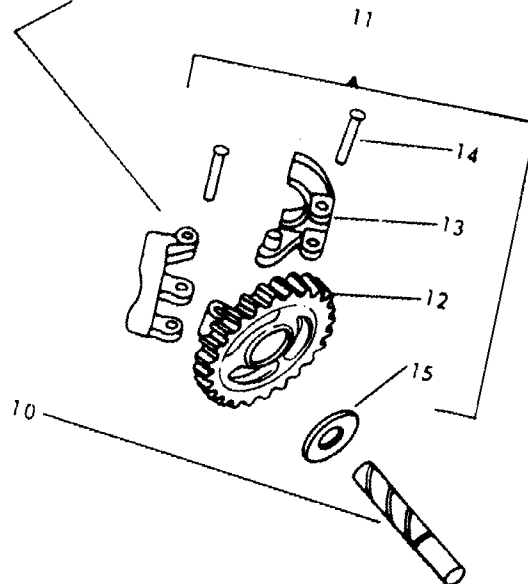
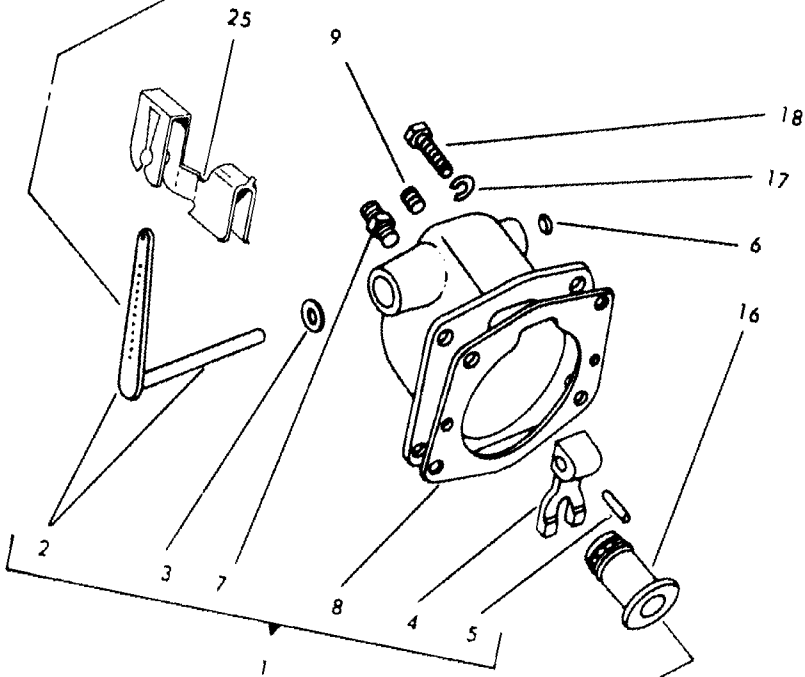
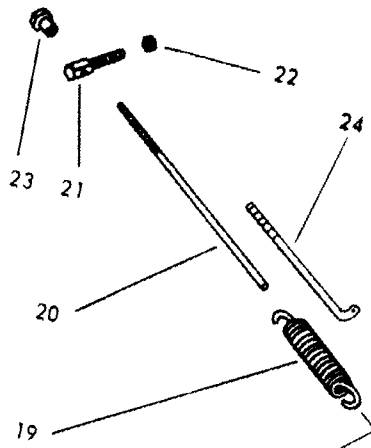
\* For engines with serial number 6178652 and after.



## Magneto and Gear Cover

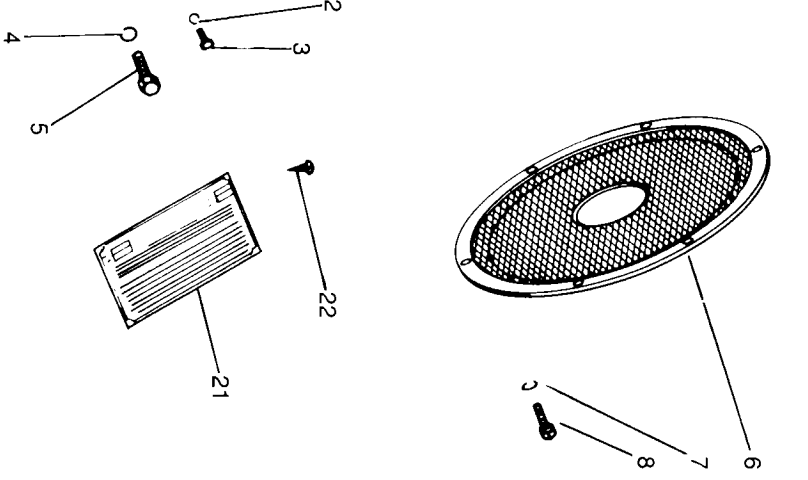
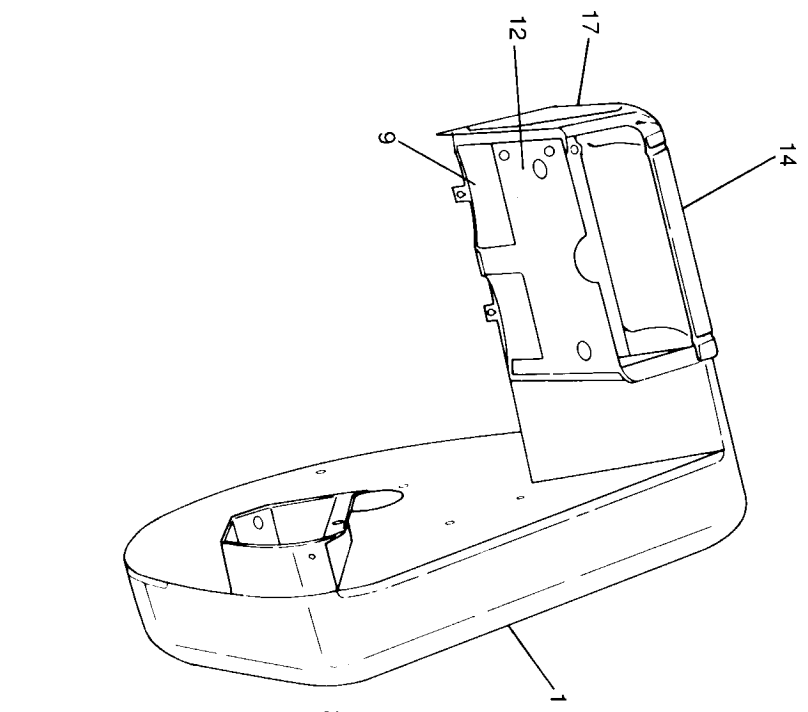
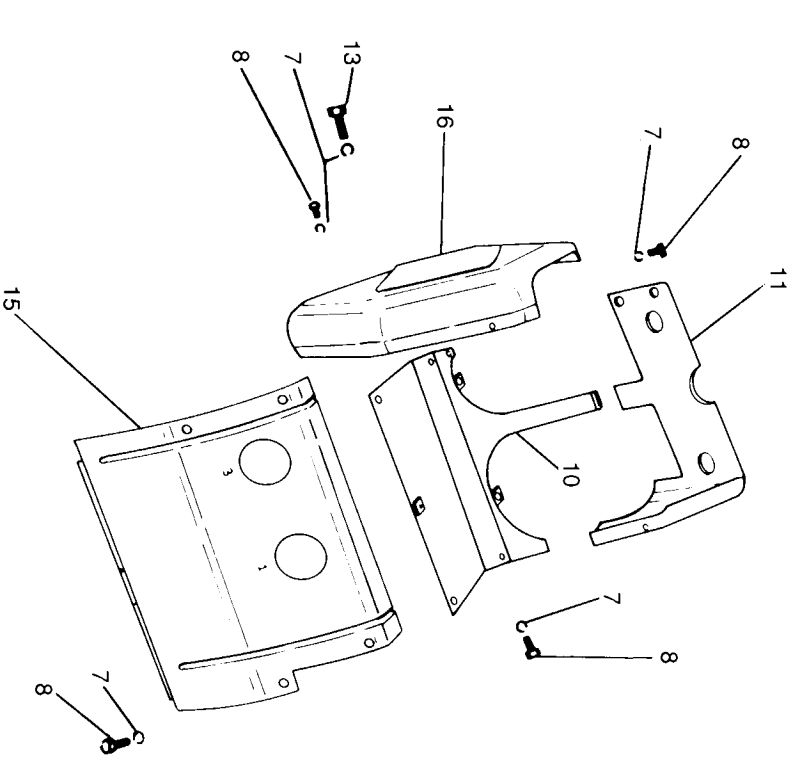
ITEM	PART NO.	DESCRIPTION	QTY
1	YL339-32	Ignition cable, No. 1 cylinder (includes boot) .....	1
2	YL339-38	Ignition cable, No. 2 cylinder (includes boot) .....	1
3	YL339-34	Ignition cable, No. 3 cylinder (includes boot) .....	1
4	YL339-42	Ignition cable, No. 4 cylinder (includes boot) .....	1
5	PD79	Nut, 3/8"-16 .....	1
6	PD11	Nut, 3/8"-24 .....	1
7	PE5	Lock washer, 3/8" spring lock .....	2
8	XD33	Screw, 3/8"-16 x 2-1/4" .....	1
9	PH22A	Washer, 3/8" x 11/16" x 3/32" thick, plain steel .....	1
10	* Y97S1	Magneto with gear, Fairbanks-Morse No. FMX-4B7A (replaces Y95S1) .....	1
11	QD616	Gasket, magneto mounting .....	1
12	GD103-1	Magneto gear (replaces GD103) .....	1
13	PC429	Stud, magneto mounting upper hole .....	1
14	BD101S1	Gear cover, standard (includes 19-20, 25; also TC388-1 governor shaft) .....	1
—	BD101BS1	Gear cover assembly (includes 19-20, 25; also TC388-1 governor shaft for flywheel alternators) .....	1
15	QD634	Gasket, gear cover .....	1
16	WE243	Gear cover spacer .....	1
17	QD633	Gasket, crankcase to spacer .....	1
18	PA291	Dowel pin, gear cover to case .....	2
19	PF52	Button, camshaft thrust plunger .....	1
20	XK3	Pipe plug, 3/8" square head for timing hole in gear cover ....	1
21	PD78	Nut, 5/16"-18 thread for spacer to gear cover - left side .....	1
22	PE4	Lock washer, 5/16" spring lock .....	17
23	XD17	Screw, 5/16"-18 x 1" long for spacer to gear cover - left side .....	1
24	XD19	Screw, 5/16"-18 x 1-1/4" long for mounting gear cover .....	10
25	PH269	Oil seal, crankshaft .....	1
26	XD15	Screw, 5/16"-18 x 3/4", spacer plate to gear cover .....	3
—	XD20	Rubber nipple for magneto Towers (not illustrated) .....	4
27	XD15	Screw, 5/16" x 3/4" long, spacer plate to crankcase .....	5

\* See page 34 for kits



## Governor Assembly

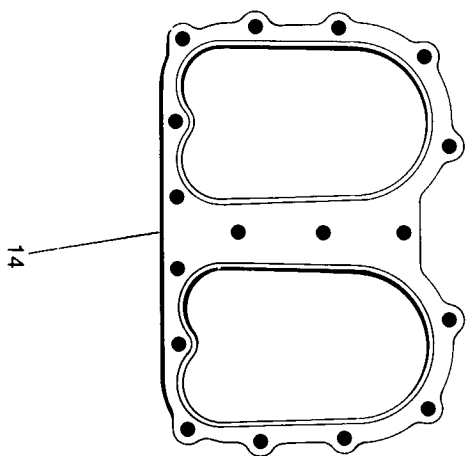
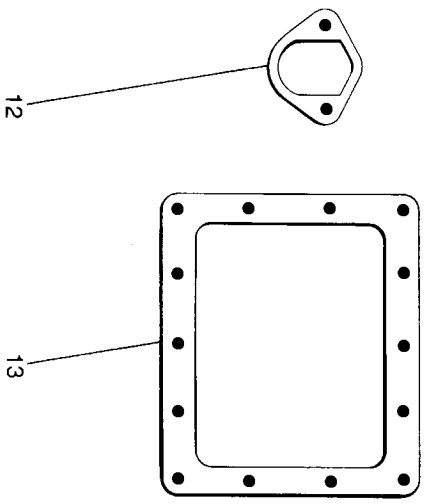
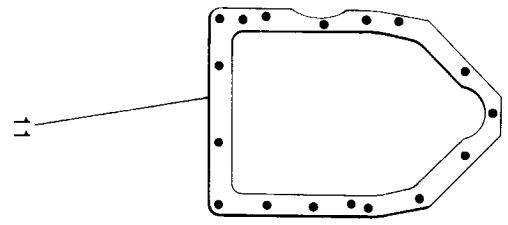
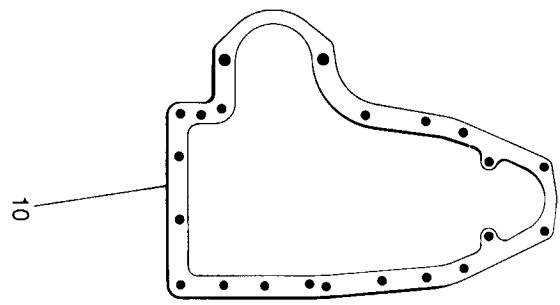
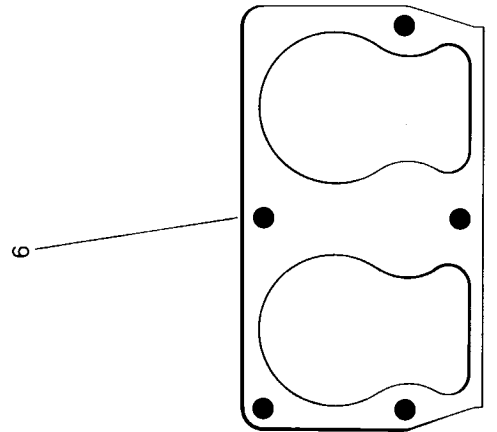
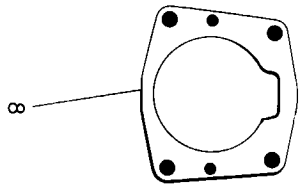
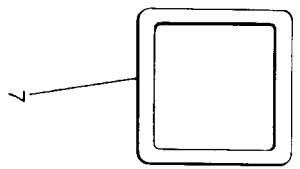
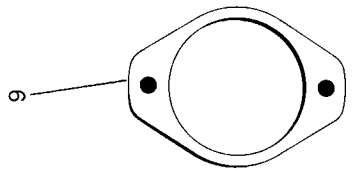
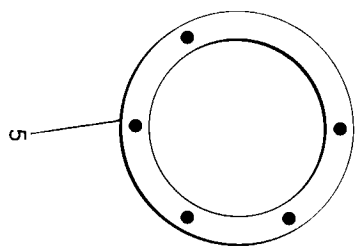
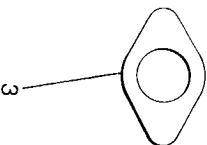
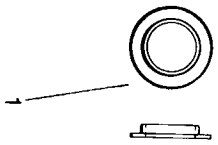
ITEM	PART NO.	DESCRIPTION	QTY
—	T134L	Governor assembly replaces T89L for service.....	1
1	TC395S1	Governor housing assembly (includes items 2-9) .....	1
2	TC398	Cross shaft and lever.....	1
3	PH571	Oil seal, governor cross shaft (Neoprene).....	1
4	VB151	Governor yoke .....	1
5	PA367	Roll pin, 1/8" x 3/4" long .....	1
6	SA52	Plug, 1/2" expansion.....	1
7	RF269-2	Fitting .....	1
8	QD615A	Gasket, governor housing .....	1
9	PF18	Pipe plug, 1/8" slotted, governor housing .....	1
10	TC388-1	Governor shaft (press fit into gear cover) .....	1
11	TC535S1	Governor flyweight assembly (includes items 12-15, 26) .....	1
12	GD150	Governor gear .....	1
13	TC322DS1	Flyweight (includes item 26) .....	2
14	PA340	Roll pin .....	2
15	PH313A	Washer .....	1
16	TC391D	Thrust sleeve and bearing .....	1
17	PE4	Lock washer, 5/16" .....	10
18	XD16	Screw, 5/16"-18 x 7/8" long .....	4
19	PM76	Governor spring .....	1
20	PI145	Adjusting screw, governor spring tension .....	1
21	TC367A	Adjusting screw pin .....	1
22	PD77	Nut, 1/4"-20 thread .....	1
23	PD173A	Nut, spring tension adjustment.....	1
24	VE875S1	Control rod, (includes item 25).....	1
25	PK181	Clip, 3/64" x 3/8" long .....	1
—	TC328D	Thrust pin, governor flyweight (not illustrated) .....	2





## Air Shrouding

ITEM	PART NO.	DESCRIPTION	QTY
1	SE124BG	Flywheel shroud, standard .....	1
—	SE124C	Flywheel shroud, with pads for starter and air cleaner mounting .....	1
—	SE124AM	Flywheel shroud, for flywheel alternator and with pad for electric starter .....	1
—	SE124AP	Flywheel shroud, for flywheel alternator, with pads for starter and air cleaner .....	1
2	PE4	Lock washer, 5/16" spring lock .....	4
3	XD172	Screw, 5/16"-18 thread x 1/2" long .....	4
4	PE5	Lock washer, 3/8" spring lock .....	2
5	XD171	Screw, 3/8"-16 x 1/2" long .....	2
6	SE48	Screen, flywheel shroud .....	1
7	PE3	Lock washer, 1/4" spring lock .....	38
8	XA33	Screw, 1/4"-20 x 3/8" long .....	36
9	SE126	Lower cylinder shroud, right side .....	1
10	SE126A	Lower cylinder shroud, left side, magneto ignition .....	1
—	SE126A3	Lower cylinder shroud, left side, provision for mounting coil .....	1
—	SE126A11	Lower cylinder shroud, left side, battery ignition and 10 or 25 amp flywheel alternator .....	1
—	SE126A14	Lower cylinder shroud, left side, battery ignition and 30 amp flywheel alternator .....	1
11	SE128C	Heat deflector, left side .....	1
12	SE128B	Heat deflector, right side .....	1
13	XA34	Screw, 1/4"-20 x 1/2" long .....	2
14	SE127	Cylinder head shroud, right side .....	1
15	SE127A	Cylinder head shroud, left side .....	1
16	SE125A	Rear shroud cover, left side .....	1
17	SE125	Rear shroud cover, right side .....	1
18	PG314	Clip, spark plug cable .....	2
19	PG475	Bracket, choke control .....	1
20	XA65	Screw, #8 x 1/2" long, for choke control bracket .....	2
21	SD312A	Engine name plate .....	1
22	XA67	Screw, #4 x 1/4" long, for mounting name plate .....	4
—	SD314	Decal, warning .....	1



## Engine Gasket Set

ITEM	PART NO.	DESCRIPTION	QTY
—	Q18C	Overhaul gasket set (includes items 1-15) .....	1
1	QB83	Insert, manifold gasket .....	6
2	QC66	Gasket, manifold (replaces QC62) .....	6
3	QC12A	Gasket, carburetor .....	3
4	QD67	Gasket, fuel pump adapter to crankcase .....	1
5	QD636A	Gasket, main bearing plate, .003" .....	3
—	QD636B	Gasket, main bearing plate, .006" .....	3
6	QD616	Gasket, magneto .....	1
7	QD482	Gasket, valve inspection cover .....	4
8	QD615A	Gasket, governor housing .....	1
9	QD632	Gasket, cylinder base .....	2
10	QD634	Gasket, gear cover to spacer plate .....	1
11	QD633	Gasket, crankcase to spacer plate .....	1
12	QD538A	Gasket, fuel pump .....	1
13	QD635	Gasket, bottom plate, oil pan .....	1
14	QD631	Gasket, cylinder head .....	2
15	QD595A	Gasket, oil filter mounting pad .....	1

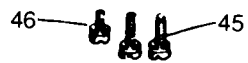
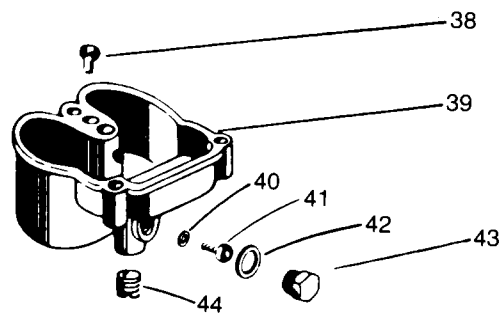
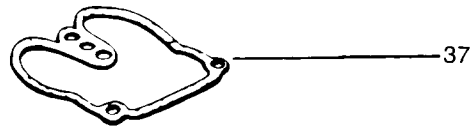
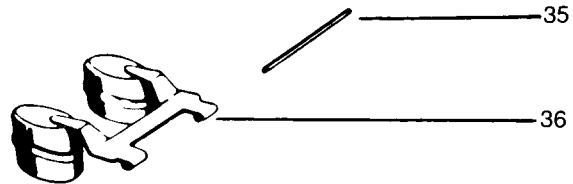
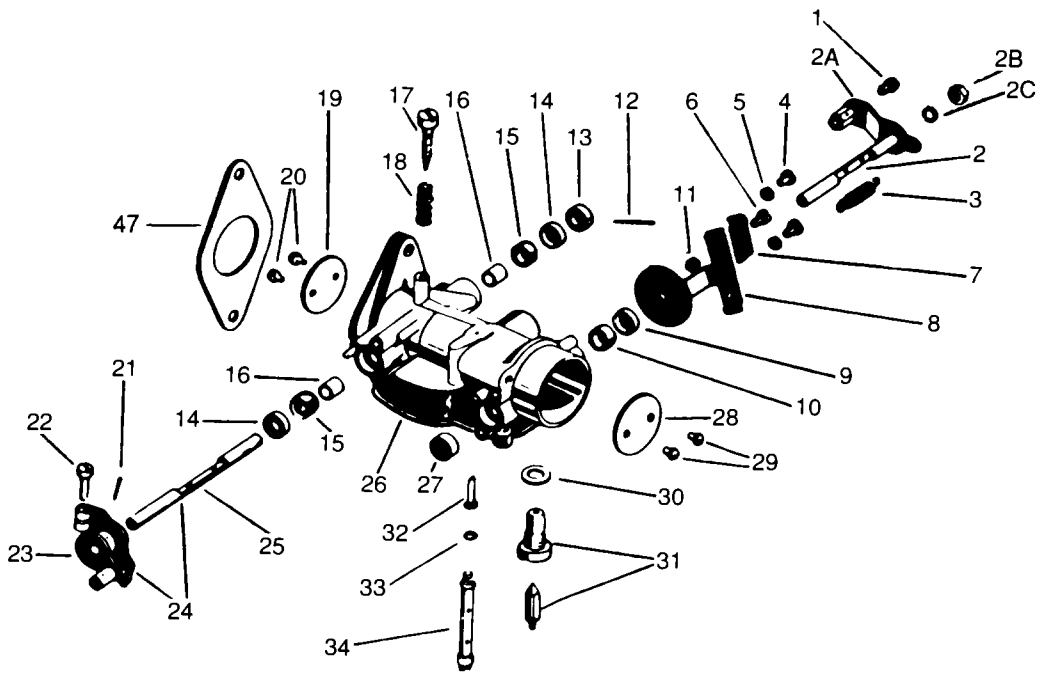
## Notes

---

# **Wisconsin Options**

**for the VG4D**

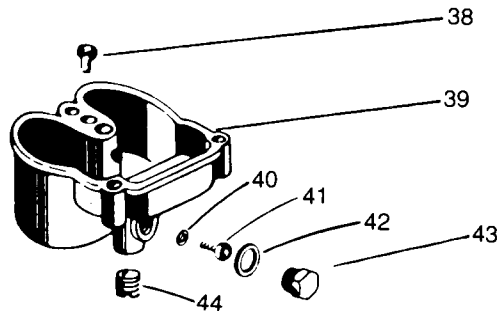
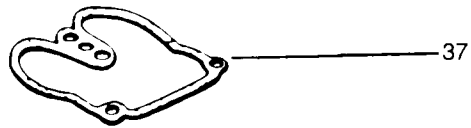
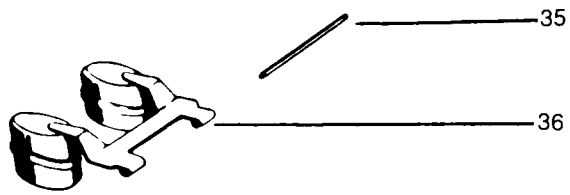
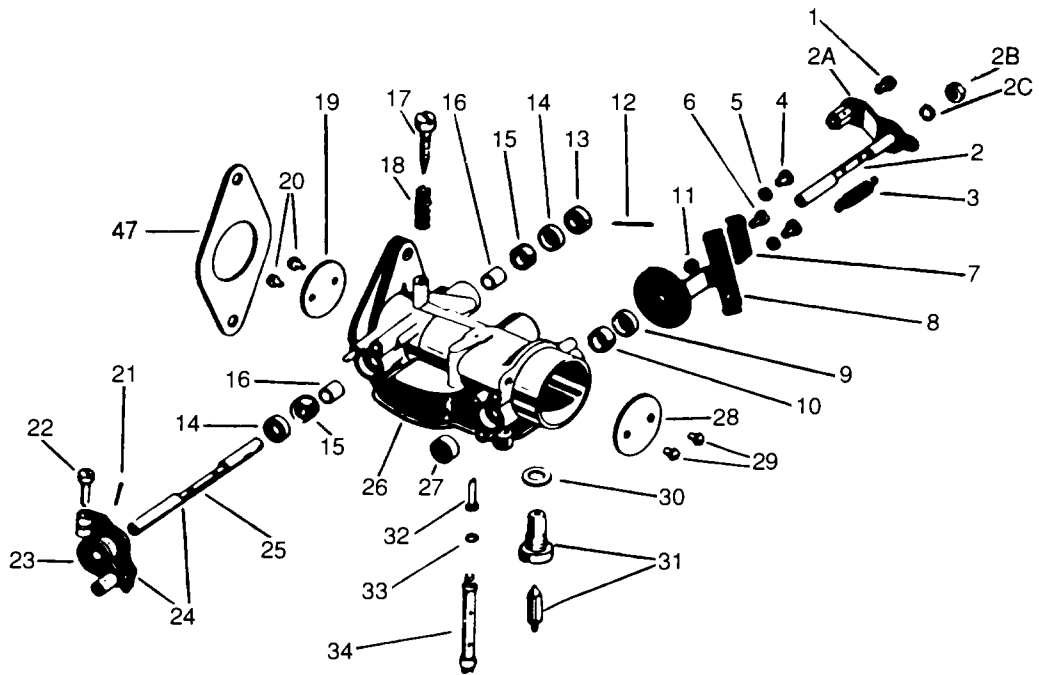
- Carburetors
- Magnetos
- Distributors
- Starters



## L57-1 Carburetor (Facet No. 11532)

ITEM	PART NO.	DESCRIPTION	QTY
1	93T8S8-7	Screw, lever swivel .....	1
2	93C105-3	Shaft, choke .....	1
2A	93C106-2	Lever, choke .....	1
2B	93T22S8	Nut, choke lever .....	1
2C	93T41-10	Lock washer, choke lever nut .....	1
3	93C112-12	Spring, choke lever .....	1
4	93C140-58	Screw, bracket (includes item 5) .....	2
5	93T41-8	Lock washer, bracket .....	2
6	93T8S8-8	Screw, tube clamp .....	1
7	93C110-7	Clamp, bracket .....	1
8	93C109-60	Bracket, choke (includes items 6-7, 11) .....	1
9	93C131-4x2	Retainer, choke shaft packing .....	1
10	93T57-4	Washer, choke shaft packing .....	1
11	93T21S8	Nut, clamp screw .....	1
12	93T63-9	Pin, washer retaining .....	1
13	93C130-4	Washer, shaft thrust .....	1
14	93T52-57	Retainer, throttle shaft packing .....	2
15	93T48-9	Seal, throttle shaft .....	2
16	93C9-75	Bushing, throttle shaft .....	2
17	93C46-49	Needle, idle adjusting .....	1
18	93C111-155	Spring, adjusting needle .....	1
19	93C21-42	Plate, throttle .....	1
20	93T315S5-4	Screw, throttle plate .....	2
21	* _____	Roll pin, throttle lever .....	1
22	93T8S8-10	Screw, lever stop .....	1
23	93CR27-241	Lever and stop, throttle .....	1
24	93C29-1037	Shaft and lever, throttle (includes items 12 - 13, 21 - 23) .....	1
25	* _____	Shaft, throttle .....	1
26	* _____	Body, throttle .....	1
27	93CR37-1x1	Plug, choke shaft hole .....	1
28	93C102-113	Plate, choke .....	1
29	93T315S5-4	Screw, choke plate .....	2
30	93T56-20	Fiber washer, fuel valve seat .....	1
31	93C81-17-35	Valve and seat, fuel .....	1

*(Continued on page 30)*

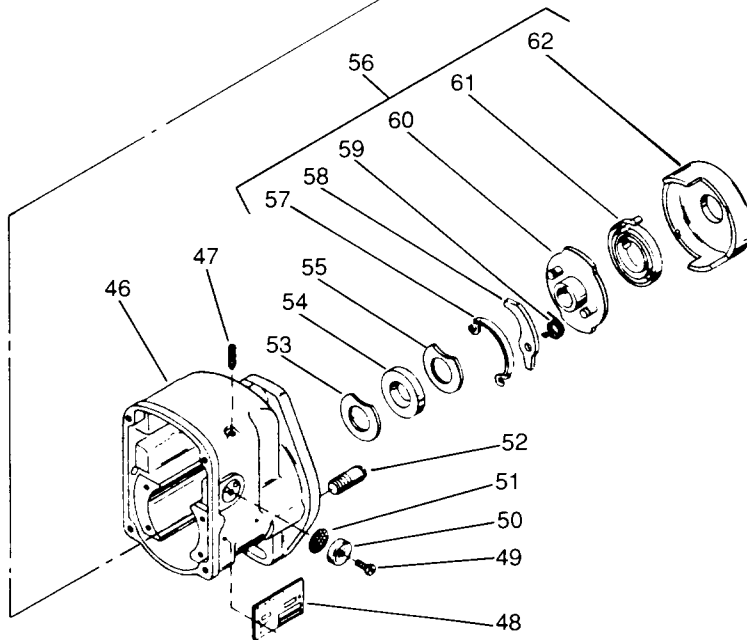
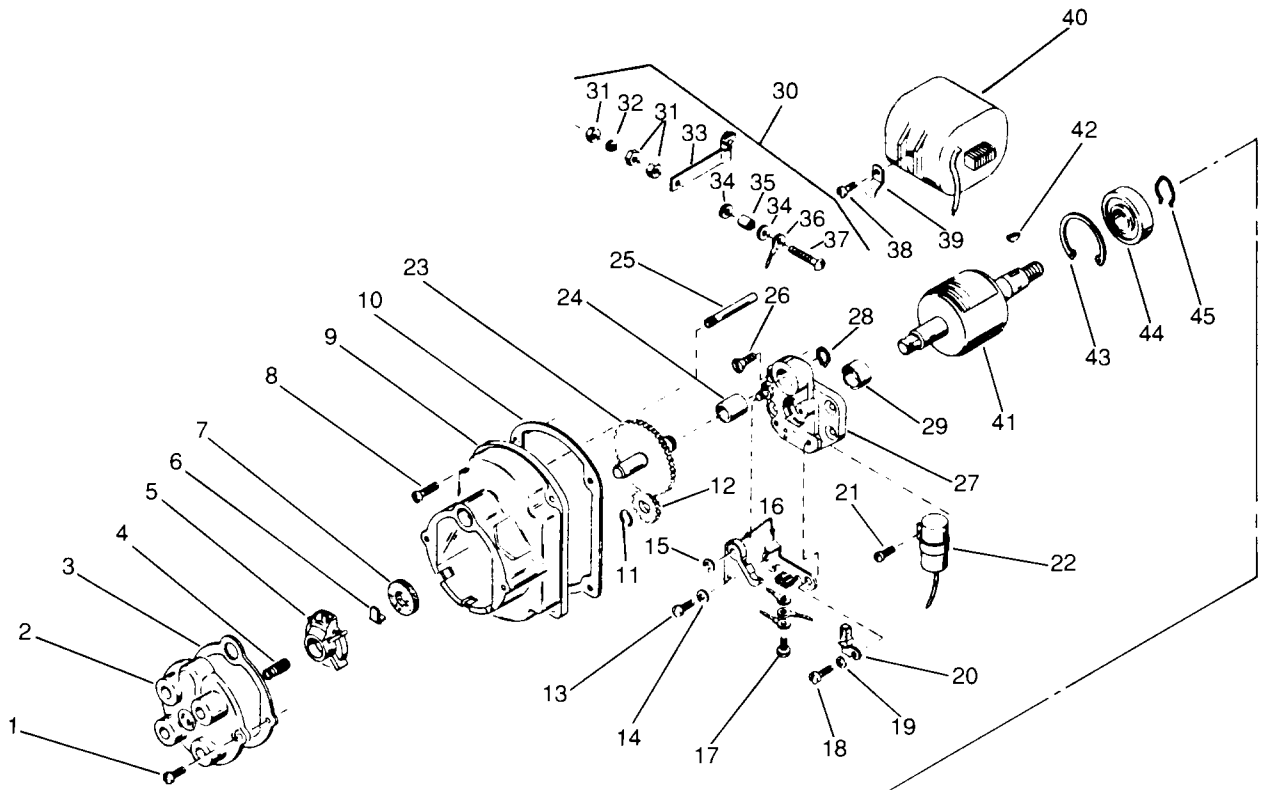




## L57-1 Carburetor (Facet No. 11532) (cont.)

ITEM	PART NO.	DESCRIPTION	QTY
32	93C66-104-42	Jet, discharge .....	1
33	93T56-73	Fiber washer, well .....	1
34	93C76-50-1	Well, metering .....	1
35	93C120-18	Axle, float .....	1
36	93C85-97	Float assembly .....	1
37	93C142-55	Gasket, bowl to body .....	1
38	93C52-2-12	Jet, idle .....	1
39	93B3-129A	Bowl, fuel (replaces 93-B398A) .....	1
40	93T56-24	Fiber washer, main jet .....	1
41	93C52-7-38	Jet, main .....	1
42	93T56-23	Fiber washer, passage plug .....	1
43	93C138-24	Plug, main passage .....	1
44	93T91-3	Plug, 1/8" pipe, bowl drain .....	1
45	93T301S8-14	Screw, bowl to body, long .....	2
46	93T301S8-9	Screw, bowl to body, short .....	1
47	QC12A	Gasket, flange (Facet C141-4-6) .....	3
—	93C181-296	Gasket set (includes items 30, 33, 35, 37, 40, 42) .....	1
—	LQ37	Repair kit (includes items 9-10, 14-15, 17, 20, 27, 31, 33, 35, 37, 40, 42, 47) .....	1

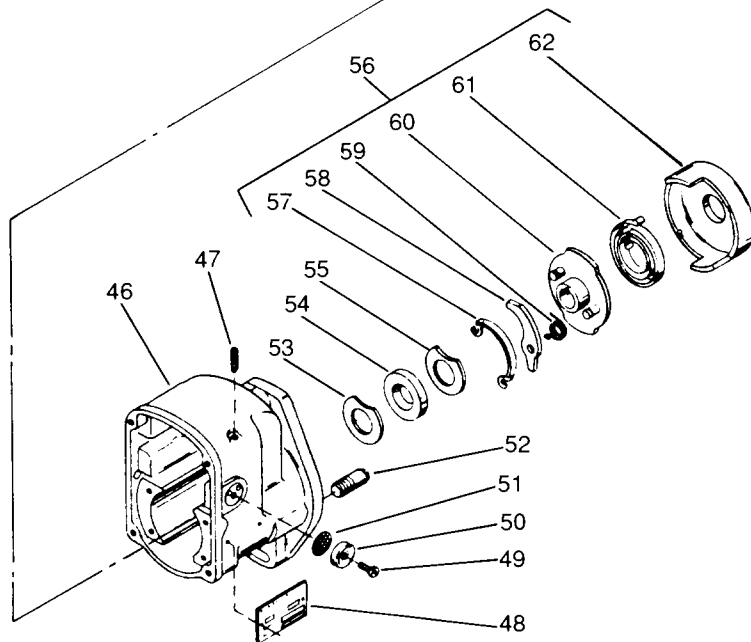
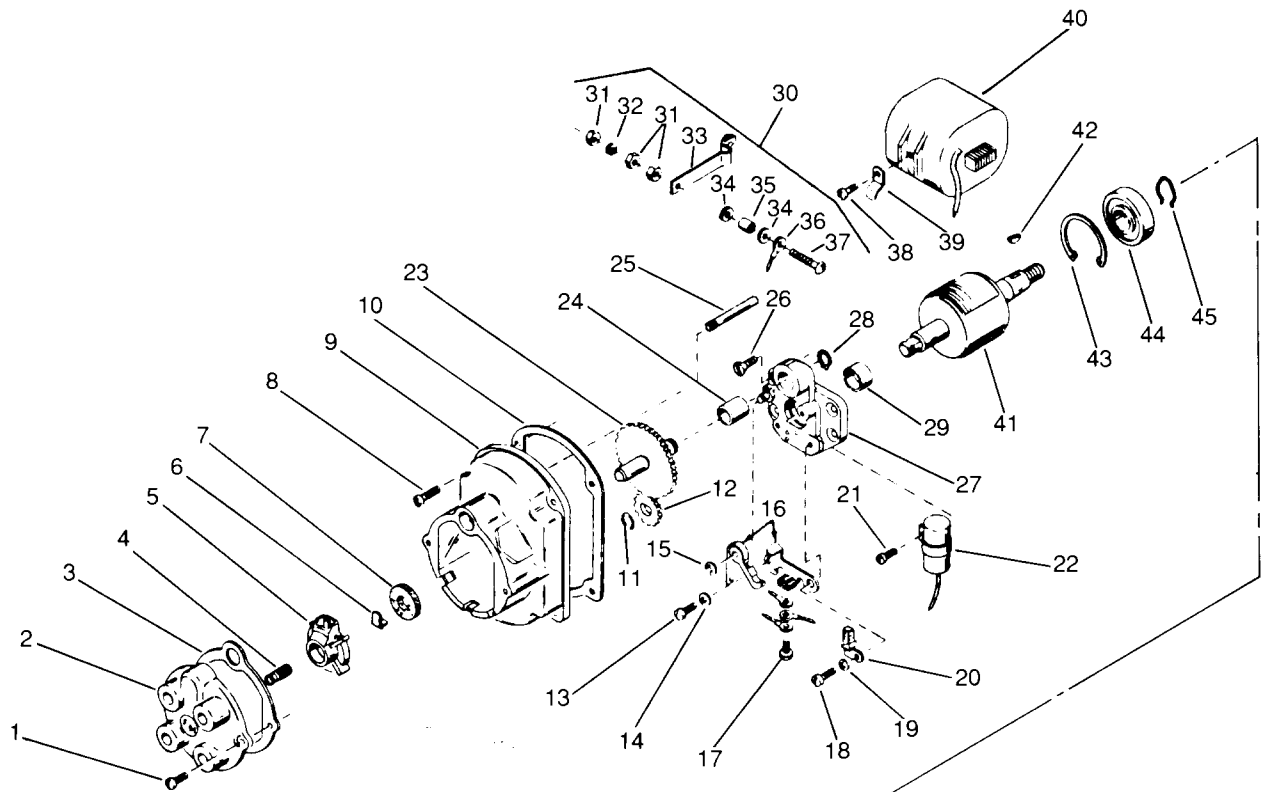
\* Not serviced separately



## Magneto #Y97S1 (Fairbanks-Morse Type FM X487A)

ITEM	PART NO.	DESCRIPTION	QTY
1	31-8S9D	Screw, cover, #8-32 x 9/16" long .....	2
2	31W800	Cover, end cap .....	1
3	31B682	Gasket, end cap cover .....	1
4	31E2460B	Brush and spring .....	1
5	31M2765	Distributor rotor .....	1
6	31A2766	Spring clip, rotor .....	1
7	31G2501	Seal, distributor shaft .....	1
8	31-10S14D	Screw, end cap, #10-24 x 7/8" long .....	4
9	31AZ2430	End cap .....	1
10	31H2498	Gasket, end cap .....	1
11	31D1498	Snap ring, rotor gear .....	1
12	31Q5952	Rotor gear .....	1
13	31-6S6U	Support screw, #6-32 x 3/8" long .....	1
14	31D2458	Washer, support screw, #6 .....	1
15	31C1498G	Snap ring, fulcrum pin .....	1
16	31A2437A	Point set, clockwise .....	1
17	31-6S6Z	Terminal screw, #6-32 x 3/8" long .....	1
18	31-8S6U	Support screw #8-32 x 3/8" long .....	1
19	31B5969	Washer, support screw, #8 .....	1
20	31G2788	Cam wick, clockwise .....	1
21	31-8S5NA	Screw, condenser, #8-32 x 5/16" long .....	1
22	31AXMR2433	Condenser .....	1
23	31Y5939	Shaft and gear, distributor .....	1
24	31D5950C	Bearing, distributor .....	1
25	31J983A	Lead rod .....	1
26	31-8S6G	Support screw, #8-32 x 3/8" long .....	4
27	31X4631	Support, bearing .....	1
28	31G1498	Snap ring, distributor shaft .....	1
29	31A5950A	Bearing, cam end .....	1
30	31L2514C	Switch, assembly .....	1
31	31-8N1	Nut, switch screw .....	3
32	31-8LW5	Lock washer, switch screw .....	1
33	31M2514	Insulated lever .....	1
34	31C6018	Insulating washer .....	2
35	31K2457A	Insulating bushing .....	1

*continued on page 34*

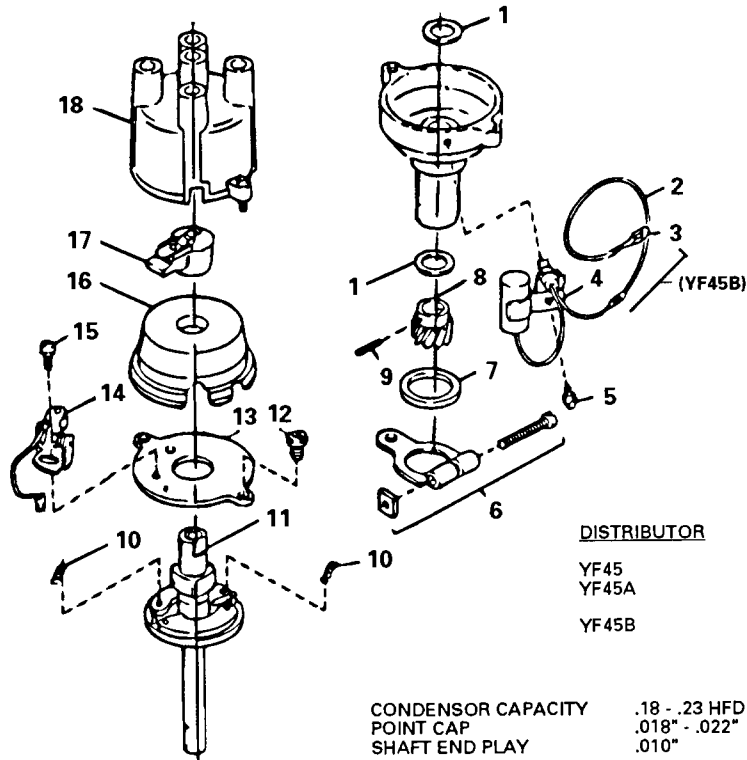


## Magneto #Y97S1 (Fairbanks-Morse Type FM-X4B7A) (cont.)

ITEM	PART NO.	DESCRIPTION	QTY
36	31J2499A	Wire assembly .....	1
37	31-8S14N	Screw, switch, #8-32 x 7/8" long .....	1
38	31-6S4U	Screw, clip, #6-32 x 1/4" long .....	1
39	31D6120	Coil clip .....	1
40	31R2477C	Coil .....	1
41	31HW2480	Magnetic rotor .....	1
42	31-3K1	Key .....	1
43	31B1498B	Snap ring, bearing .....	1
44	31C5949	Bearing, drive end .....	1
45	31B1498D	Snap ring, shaft .....	1
46	31TZ2425	Housing .....	1
47	31-31SS14A	Setscrew, coil, 5/16"-24 x 7/8" long .....	2
48	31N195	Name plate .....	1
49	31-6S4U	Screw, cover, #6-32 x 1/4" long .....	2
50	31B6030A	Vent cover .....	2
51	31C6032B	Vent screen .....	2
52	31S2568	Stop pin, pawl .....	1
53	31A2492C	Washer, seal (inner) .....	1
54	31G3861	Shaft seal .....	1
55	31A2492A	Washer, seal (outer) .....	1
56	31BW2563C-27	Coupling, complete (27° lag angle) .....	1
57	31A1498J	Lock spring, pawl .....	1
58	31Q2566	Coupling pawl .....	2
59	31S5963	Pawl spring .....	2
60	31S2563-27	Hub assembly (27° lag angle) .....	1
61	31E2565	Coupling spring .....	1
62	31Y5957	Coupling shell .....	1
63	31F2572	Bushing .....	1
64	31M2570	Coupling nut .....	1
—	GD103-1	Drive gear .....	1
—	YQ8	Points and condenser kit (includes items 16-17, 20, 22) .....	1
—	YQ9	Overhaul kit (includes items 3, 8, 10, 16-17, 20, 22, 28-29, 32, 43, 53-54) .....	1

## YF45S1, YF45AS1, YF45B Colt Distributor

USE WITH MODELS VG4D, VH4D, V465D, W4-1770



DISTRIBUTOR	APPLICATION
YF45	VH4D, VG4D, V465D
YF45A	VH4D, W4-1770, (TOP MOUNTED)
YF45B	VG4D (TOP MOUNTED)

CONDENSOR CAPACITY	.18 - .23 HFD
POINT CAP	.018" - .022"
SHAFT END PLAY	.010"

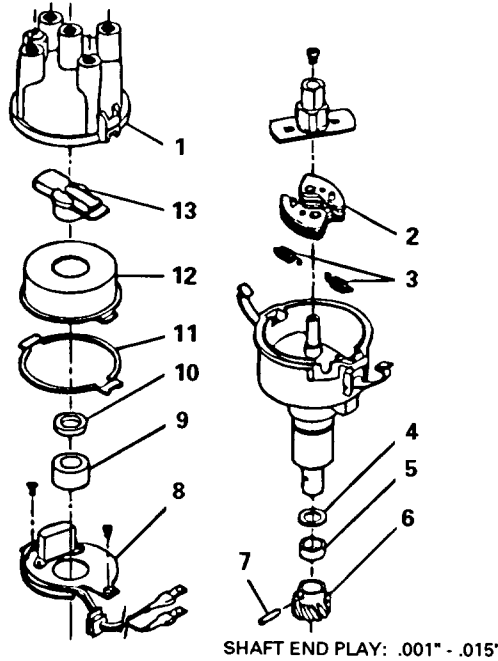
ITEM	PART NO.	DESCRIPTION	QTY	ITEM	PART NO.	DESCRIPTION	QTY
1	* — — —	Washer thrust .....	2	—	† 31-13001679	Gear kit (YF45B)	
2	YL394-18	Extension wire (not used with YF453) .....	1	11	* — — —	Shaft assembly .....	1
3	31-13001655	Clip .....	1	12	31-13001616	Insert .....	2
—	YQ26	Breaker kit (includes 4, 5, 14, 15, 19) .....	1	13	31-13001598	Breaker plate .....	1
4	* — — —	Condenser assembly .....	1	14	* — — —	Breaker set .....	1
5	* — — —	Screw .....	1	15	* — — —	Screw and washer assembly .....	1
—	PG54341	Advance arm kit (includes 6, 7) .....	1	16	31-13001604	Shield .....	1
6	* — — —	Advance arm assembly .....	1	—	YQ27	Distributor cap and rotor kit (includes 17, 18) .....	1
7	* — — —	Washer .....	1	17	† 31-13001607	Rotor .....	1
8	* — — —	Gear .....	1	18	* — — —	Cap .....	1
9	* — — —	Pin .....	1	19	* — — —	Lube capsule (not illustrated) .....	1
—	31-13001666	Shaft kit (includes 10, 11) ...	1	20	* — — —	Spacer (not illustrated) .....	1
10	† 31-13001661	Spring kit .....	1				
—	† 31-13001677	Gear kit (YF45) (includes 1, 8, 9) .....	1				
—	† 31-13001678	Gear kit (YF45A) (includes 1, 8, 9, 20) .....	1				

\* Not serviced separately.

† Also sold separately.

# YF50S1, YF50AS1 Ignition Distributor

USE WITH MODELS VH4D, W4-1770, VG4D, V465D



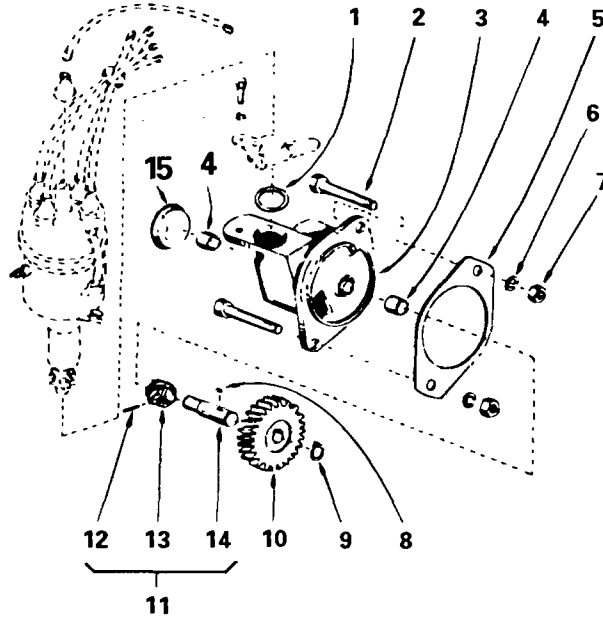
ITEM	PART NO.	DESCRIPTION	QTY
—	20121003	Distributor cap and gasket (includes 1, 11) .....	1
1	* — — —	Vented distributor cap .....	1
2	20120015	Advance weights set .....	1
3	20120012	Advance spring set .....	1
—	20121001	Gear kit (includes 4-7) .....	1
4	* — — —	Thrust washer set .....	1
5	* — — —	Spacer (YF50AS1) .....	1
6	* — — —	Gear .....	1
7	* — — —	Roll pin .....	1
8	20120005	Electronic module (includes screws) .....	1
9	20120004	Magnet assembly .....	1
—	20121006	Rotor and spacer (includes 10, 13) .....	1
10	† 20120011	Rotor spacer .....	1
11	† 20120010	Distributor cap gasket .....	1
12	20120003	Dust cover .....	1
13	* — — —	Rotor .....	1
—	YL394-18	Wire, extension-Black.....	1
—	YL396A18	Wire, extension-Red.....	1

\* Not serviced separately.

† Also sold separately.

# TF130 Distributor Drive Assembly

USE WITH MODEL VG4D



ITEM	PART NO.	DESCRIPTION	QTY
1	JK59	Packing ring .....	1
2	XD32	Screw, 3/8"-16 thread x 2" long .....	2
3	TB146S1	Housing assembly (includes bushing, cup plug) .....	1
4	HG182	Bushing .....	2
5	QD616	Gasket .....	1
6	PE5	Lock washer, 3/8" .....	2
7	PD79	Nut, 3/8"-16 thread .....	2
8	PL161	No. 213 Woodruff key .....	1
9	PK109	Lock ring .....	1
10	GD141	Drive gear .....	1
11	JJ324	Drive shaft and gear assembly (includes 12-14) .....	1
12	PA367	Pin, 1/8" x 3/4" long .....	1
13	GF88	Gear .....	1
14	TA132	Drive shaft .....	1
15	SA143	Cup plug .....	1

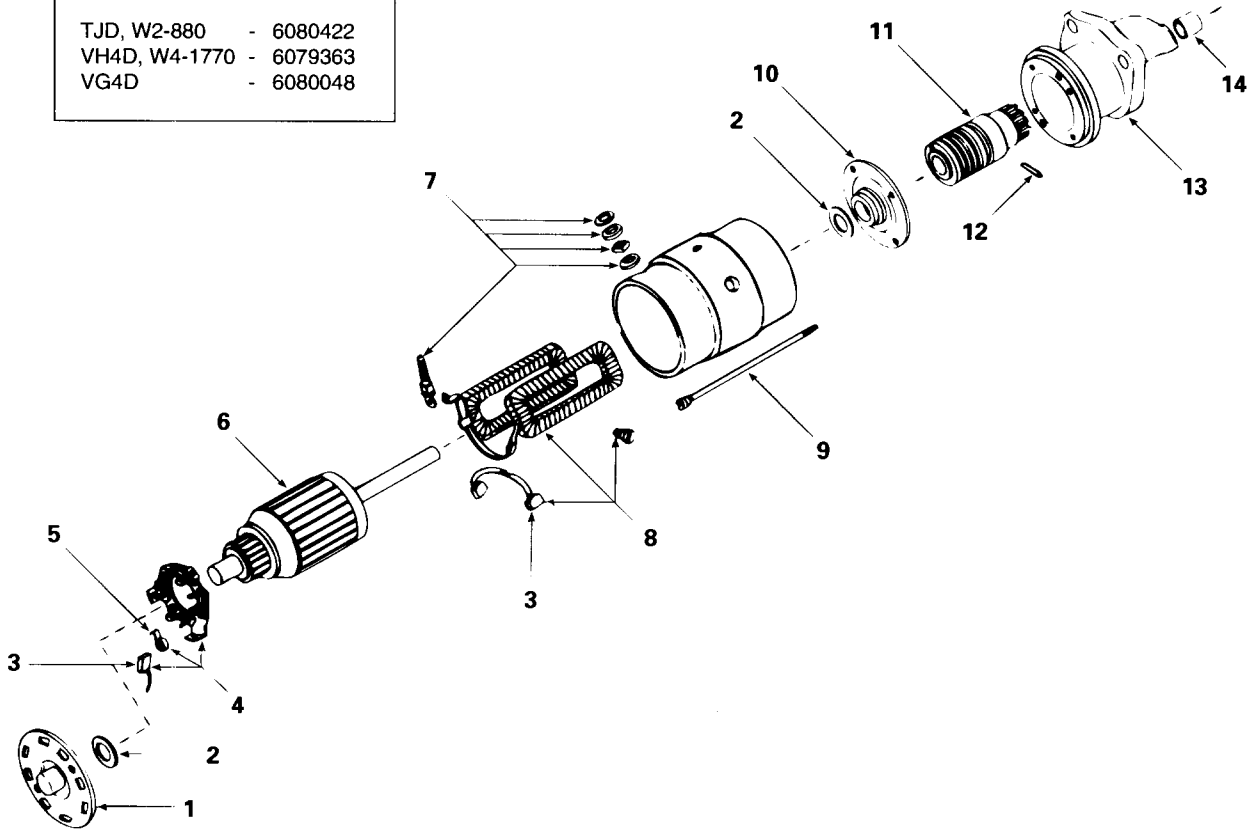


# YA61 (12 Volt) Starting Motor Assembly, Prestolite No. MHA-7021 & MHA-6102S

USE WITH MODELS TJD, VG4D, VH4D, W2-880, W4-1770

**Effective with the following  
Engine Serial Numbers:**

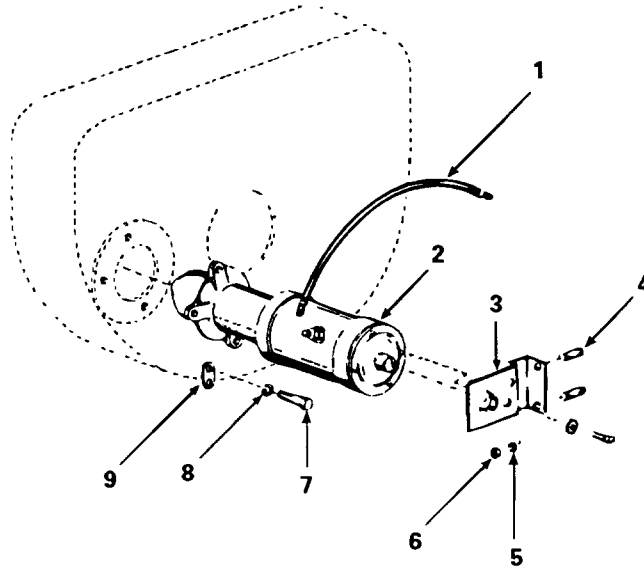
TJD, W2-880 - 6080422  
 VH4D, W4-1770 - 6079363  
 VG4D - 6080048



ITEM	PART NO.	DESCRIPTION	QTY	ITEM	PART NO.	DESCRIPTION	QTY
1	28MDT1002	Head assembly (includes bronze bearing, lube felt) .....	1	8	28MDU2005AS1	Field coil package (includes brush set, screw) .....	1
2	28P90-263	Thrust washer package .....	1	9	28GJ20S	Thru bolt package .....	1
3	28MDL2012CS	Brush set .....	1	10	28MCH1051	Bearing plate assembly .....	1
4	28MDL1064	Brush plate assembly (includes item 5; includes brush) .....	1	11	93EBC-1	Bendix drive assembly .....	1
5	28MZ19S	Spring set .....	1	12	28-90-2140	Pin package .....	1
6	28MDL2246	Armature assembly .....	1	13	28PS1473S	Pinion housing assembly (includes item 14) .....	1
7	28-90-711	Terminal stud package .....	1	14	28MG77A	Bronze bearing .....	1

# EEA102 (12 Volt) Starting Motor Assembly

USE WITH MODEL VG4D



ITEM	PART NO.	DESCRIPTION	QTY
1	YL356-26	Starter cable assembly, 26" long .....	1
—	YL356-28	Cable, 28" long .....	1
2	YA61	Starting motor, 12 volt, Prestolite MHA7021 (replaces YA54A) .....	1
—	YA55A	Starting motor, 6 volt, Prestolite MZ4212 (replaces YA19-3, YA10)....	1
3	PG515D	Support bracket (replaces PG515A) .....	1
4	PC396	Stud .....	2
5	PE4	Lock washer, 5/16" .....	2
6	PD10	Nut, 5/16"-24 thread.....	2
7	PB187	Screw, 3/8"-24 thread x 1" long .....	3
8	PE5	Lock washer, 3/8" .....	3
9	YD296	Terminal connector .....	1

**SERVICE AND PARTS**  
**Available from your Authorized**  
**WISCONSIN MOTORS**  
**Service Center**



**WISCONSIN**  
**MOTORS, LLC**

**Headquarters**  
2021 MacArthur Road  
Waukesha, WI 53188  
262-547-1228

**Manufacturing**  
10 Industrial Drive  
Dyer, TN 38330  
731-665-8151

[www.wisconsinmotors.com](http://www.wisconsinmotors.com)

March/19<sup>c</sup>  
TTP200<sup>c</sup>