

Governors By Engine Model

MODEL	DESCRIPTION	PART NO.
AA, AB, ABS, ABN, ACN, BKN	Governor Assembly	T90
AA, AB, ABS, ABN, ACN, BKN	Governor Assembly (Obsolete)	T90A
ADH, AE, AEH, AEHS	Governor Control	TT52
ADH, AE, AEH, AEHS	Governor Assembly (Obsolete)	T86-3
AENL, AENLD	Variable Speed Governor Control	TT74D
AENL, AENLD	Governor Assembly	T98, T98A
AFH, AGH, AHH	Variable Speed Governor Control	TT53
AFH, AGH, AHH	Governor Assembly (Obsolete)	T85-4
AK, AKN, AKS	Governor Assembly	T90, T90A
AK, AKN, AKS	Variable Speed Governor Control	VE363A
AGND	Variable Speed Governor Control	TT53B
AGND	Governor Assembly (Repl. by T100B)	T100
S7D, S8D	Governor Assembly (Obsolete)	T105
S7D, S8D	Governor Assembly	T108
S7D, S8D	Governor Assembly	T112
S7D, S8D	Variable Speed Governor Control	TT94B
S7D, S8D	Variable Speed Governor Control	TT94C
S7D, S8D	Variable Speed Governor Control	TT96
S10D, S12D, S14D	Governor Assembly	T122
S10D, S12D, S14D	Variable Speed Governor Control	TT96A
TE, TF, TH, THD, TJD	Variable Speed Governor Control	T66
TE, TF, TH, THD, TJD	Governor Idle Control	TT66F
TE, TF, TH, THD, TJD	Governor Assembly	T96LS1
TRA10D, TR10D, TRA12D	Governor Assembly	T112
TRA10D, TR10D, TRA12D	Variable Speed Governor Control	TT94A
TRA10D, TR10D, TRA12D	Variable Speed Governor Control	TT94B
TRA10D, TR10D, TRA12D	Variable Speed Governor Control	TT94C
TRA10D, TR10D, TRA12D	Variable Speed Governor Control	TT96
VE, VF4, VE4D, VF4D	Idle Control	TT45DS1
VE, VF4, VE4D, VF4D	Governor Control	TT45LS1
VE, VF4, VE4D, VF4D	Governor Assembly (Obsolete)	T84-2
VE, VF4, VE4D, VF4D	Governor Assembly	T89S1
VE, VF4, VE4D, VF4D	Governor Assembly (Obsolete)	T89-2S1
VG4D	Variable Speed Governor Control	TT61C1
VG4D	Two Speed Governor Control	TT61D

Governors By Engine Model (Cont.)

MODEL	DESCRIPTION	PART NO.
VG4D	Governor Assembly	T89-26
VG4D	Governor Assembly (Repl. by T134L)	T89LS1
VG4D	Governor Assembly (Repl. by T134K)	T89KS1
VH4, VH4D	Idle Control	TT45D1
VH4, VH4D	Governor Control	TT45L1S1
VH4, VH4D	Governor Control (Repl. by T134K)	T89KS1
VH4, VH4D	Governor Assembly For Distributor Drive	T113S1
V460D, V461D, V465D	Variable Speed Governor Control	TT90
V460D, V461D, V465D	Governor Assembly For Distributor Drive	T89MS2
W2-1230, W2-1235, W2-1250	Governor Assembly	T128B
W2-1230, W2-1235, W2-1250	Governor Assembly	T128C
W2-880	Governor Control Assembly	TT104
W2-880	Governor Control Assembly	TT104-1
W2-880	Governor Assembly	T130S1
W4-1770	Governor Assembly For Distributor Drive	T113A
W4-1770	Governor Control Assembly	TT99
W4-1770	Governor Assembly (Repl. by T134U)	T89US1

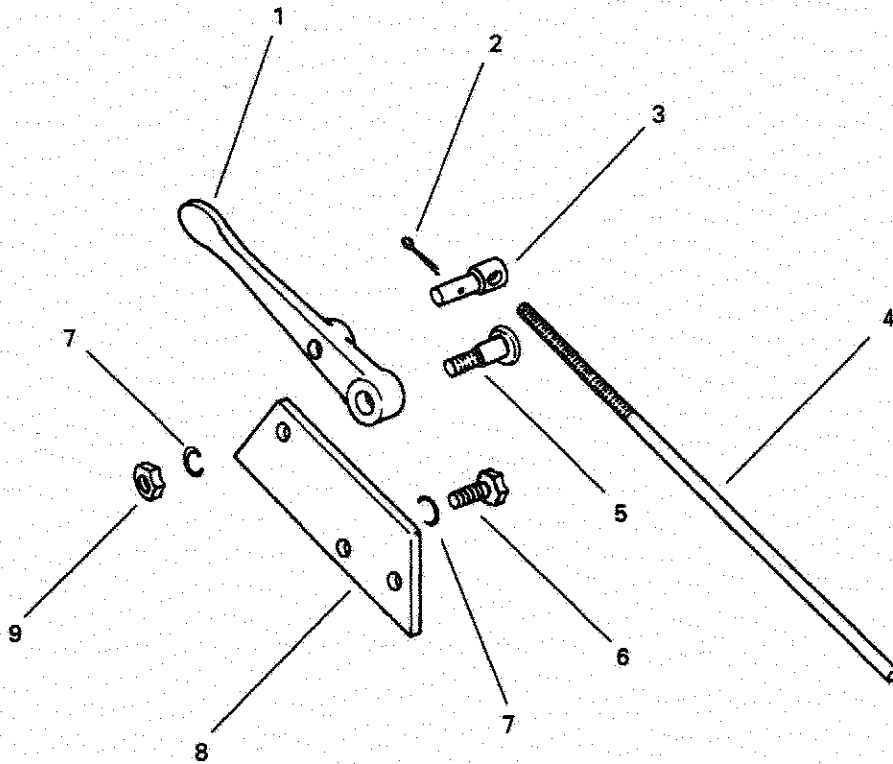
Governors By Part Number

MODEL	DESCRIPTION	PART NO.
TT45DS1	Idle Control	VE4, VF4, VF4D
TT45D1	Idle Control	VH4, VH4D
TT45LS1	Governor Control	VE4, VF4, VF4D
TT45L1S1	Governor Control	VH4, VH4D
TT52	Governor Control	ADH, AE, AEH, AEHS
TT53	Variable Speed Governor Control	AFH, AGH, AHH
TT53B	Variable Speed Governor Control	AGND
TT61C1	Variable Speed Governor Control	VG4D
TT61D	Two Speed Governor Control	VG4D
TT66	Variable Speed Governor Control	TE, TF, TH, THD, TJD
TT66F	Governor Idle Control	TE, TF, TH, THD, TJD
TT74D	Variable Speed Governor Control	AENL, AENLD
TT90	Variable Speed Governor Control	V465D
TT94A	Variable Speed Governor Control	TRA10D, TR10D, TRA12D
TT94B	Variable Speed Governor Control	S7D, S8D, TRA10D, TR10D, TRA12D
TT94C	Variable Speed Governor Control	S7D, S8D, TRA10D, TR10D, TRA12D
TT96	Variable Speed Governor Control	S7D, S8D, TRA10D, TR10D, TRA12D
TT96A	Variable Speed Governor Control	S10D, S12D, S14D
TT99	Governor Control Assembly	W4-1770
TT104	Governor Control Assembly	W2-880
TT104-1	Governor Control Assembly	W2-880
T85-4	Governor Assembly	AFH, AGH, AHH
T86-3	Governor Assembly	ADH, AE, AEH, AEHS
T84-2, T89S1, T89-2S1	Governor Assembly	VE4, VF4, VE4D, VF4D
T89-26	Governor Assembly For Distribution Drive	VG4D
T89KS1	Governor Assembly For Distribution Drive	VH4, VH4D, VG4D
T89LS1	Governor Assembly for Distribution Drive	VG4D
T89MS2	Governor Assembly for Distribution Drive	V465D, V460D, V461D
T89US1	Governor Assembly	W4-1770

Governors By Part Number (Cont.)

PART NO.	DESCRIPTION	MODEL
T90, T90A	Governor Assembly	AA, AB, ABS, ABN, AK, AKS, AKN, ACN, BKN
T96LS1	Governor Assembly	TE, TF, TH, THD, TJD
T98, T98A	Governor Assembly	AENL
T100	Governor Assembly	AGND
T105, T108, T112	Governor Assembly	S7D, S8D
T112	Governor Assembly	TRA10D, TR10D, TRA12D
T113S1	Governor Assembly For Distribution Drive	VH4, VH4D
T113A	Governor Assembly For Distribution Drive	W4-1770
T122	Governor Assembly	S10D, S12D, S14D
T128B, T128C	Governor Assembly	W2-1230, W2-1235, W2-1250
T130S1	Governor Assembly	W2-880
VE363A	Variable Speed Governor Control	AK, AKS, AKN

TT45D Idle Control Assembly
USE WITH MODELS VE4, VF4, VF4D

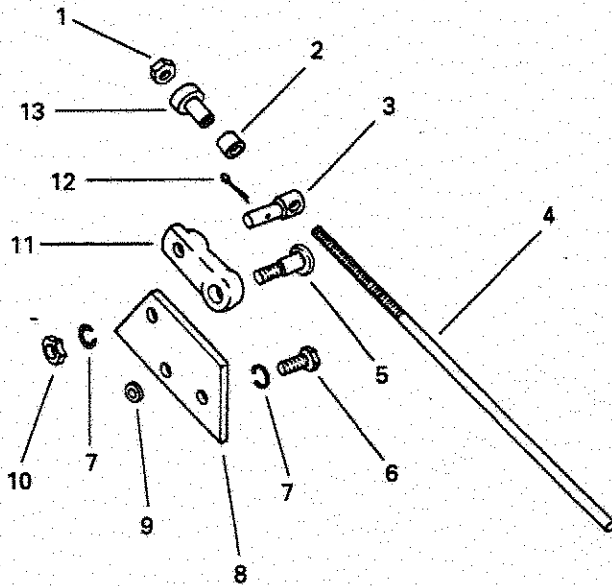


0000

ITEM	PART NO.	DESCRIPTION	QTY
1	VB142	Idle control lever	1
2	XI1	Cotter pin, 1/16" x 1/2" long	1
3	TC381	Pin	1
4	PI145B	Adjusting screw	1
5	TC380	Fulcrum pin	1
6	XD4	Screw, 1/4"-20 thread x 1/2" long	1
7	PE3	Lock washer, 1/4" positive	2
8	PG348	Bracket	1
9	PD77	Nut, 1/4"-20 thread	1

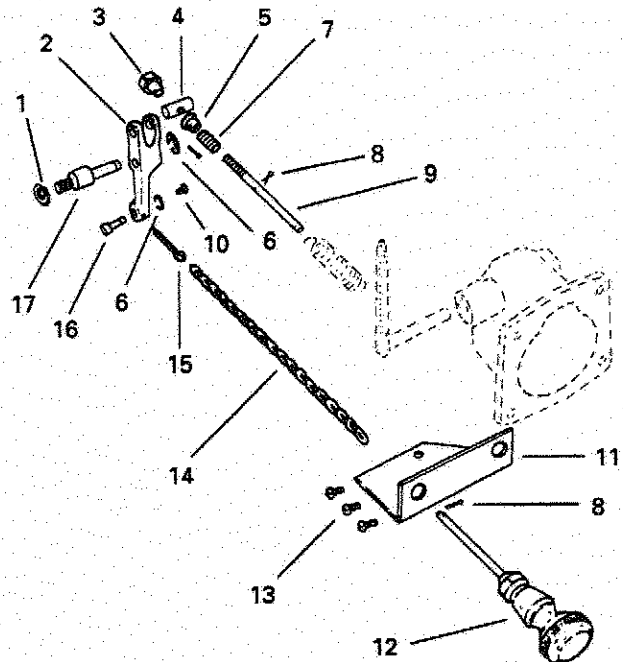
**TT45D1
Idle Control Assembly**

USE WITH MODELS VH4, VH4D



**TT45L, TT45L1
Governor Control Assemblies**

USE WITH MODELS VE4, VF4, VF4D, VH4D

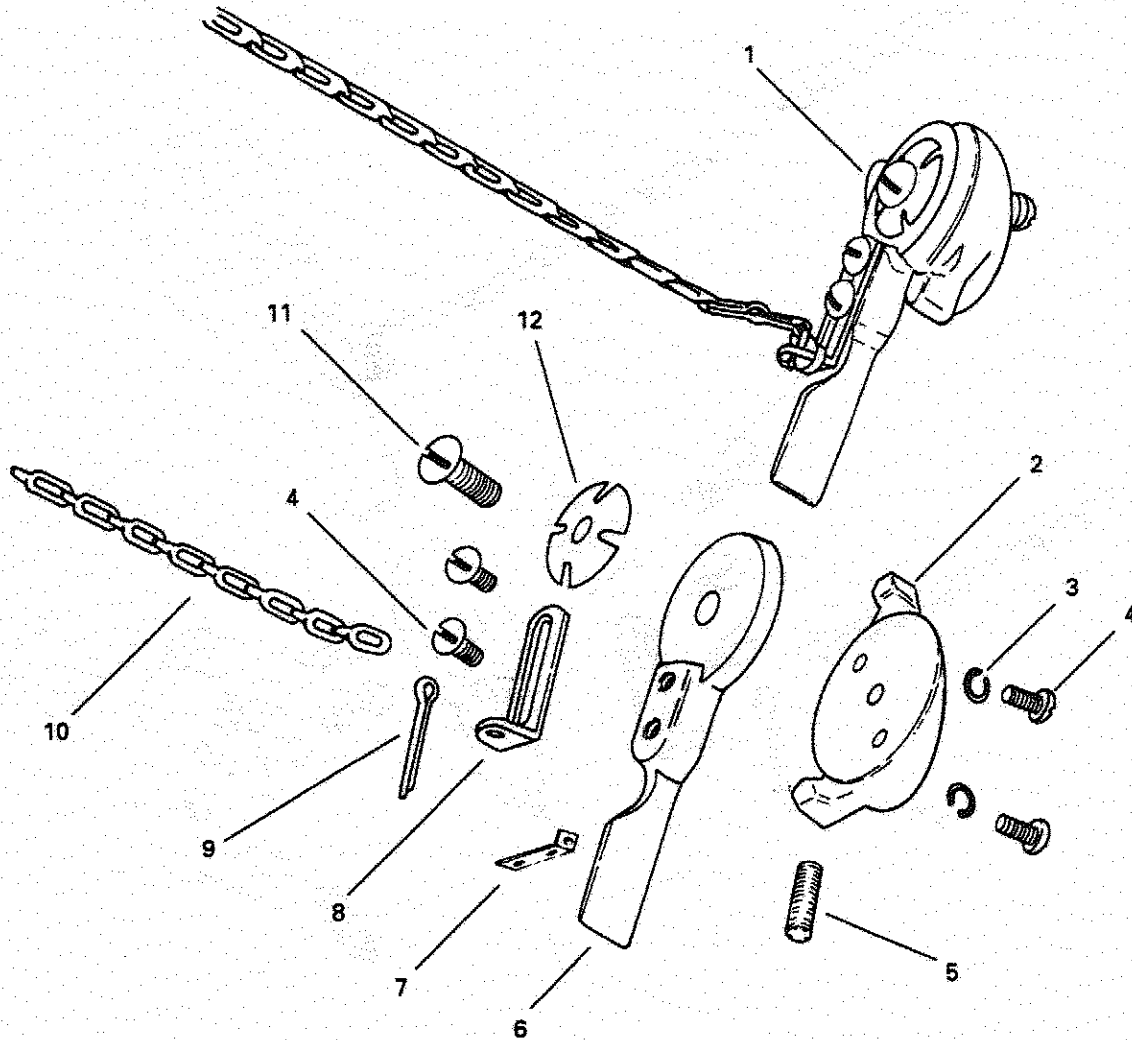


ITEM	PART NO.	DESCRIPTION	QTY
1	PD115	Nut, no. 10-32 thread	1
2	VE657	Control rod nut	1
3	TC381	Pin	1
4	PI145B	Adjusting screw	1
5	TC380	Fulcrum pin	1
6	XD4	Screw, 1/4"-20 thread x 1/2" long	1
7	PE3	Lock washer, 1/4" positive	2
8	PG348A	Bracket	1
9	HF390	Washer, 9/32" I.D. x 5/8" O.D. x 1/8"	1
10	PD77	Nut, 1/4"-20 thread	1
11	VB142-5	Idle control lever	1
12	XI1	Cotter pin, 1/16" x 1/2" long	1
13	VE452A	Control rod head	1

ITEM	PART NO.	DESCRIPTION	QTY
1	PE3	Lock washer, 1/4" positive	1
2	VB26952	Variable speed lever (replaces VB134A)	1
3	PD173A	Locknut	1
4	TC368A	Pin	1
5	PK121	Retainer	1
6	PK182	Retaining ring	2
7	PM1111	Spring	1
8	XI1	Cotter pin, 1/16" x 1/2" long	2
9	PI115E	Adjusting screw	1
10	XA134	Screw, 8-32 thread x 1/2" long (replaces XA62)	1
11	PG342	Bracket	1
12	VE527W	Control	1
13	XA65	Screw, 8 x 1/2" long	3
14	*	No. 1/0 galvanized safety chain, 8-3/4" long	1
15	XI7	Cotter pin, 3/32" x 3/4" long	1
16	VE877	Wire connector	1
17	TC527S1	Pin (replaces TC365)	1

* Not serviced separately.

TT52
Governor Control Assembly
 USE WITH MODELS ADH, AE, AEH, AEHS



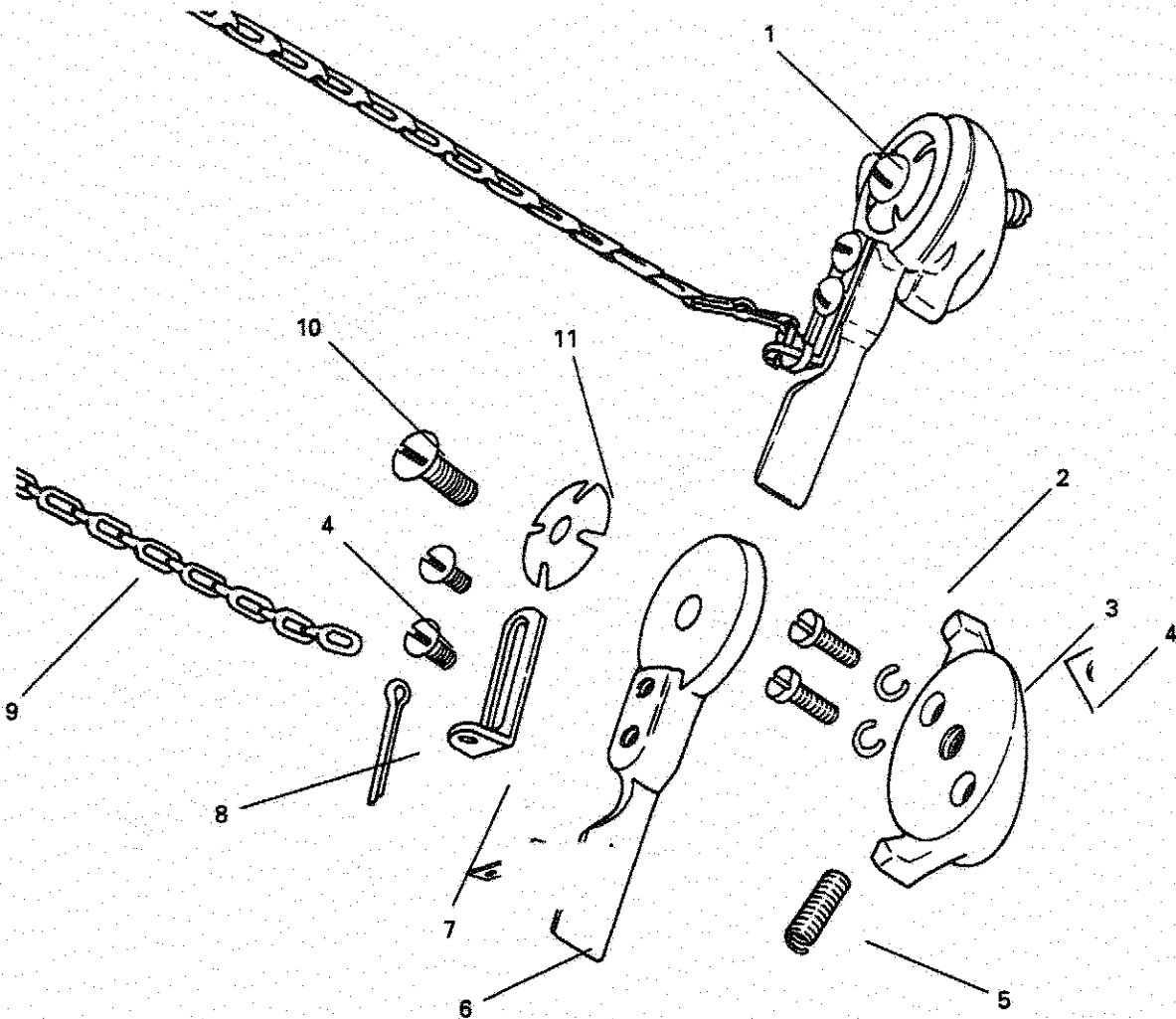
0003

ITEM	PART NO.	DESCRIPTION	QTY	ITEM	PART NO.	DESCRIPTION	QTY
1	TT52	Governor control assembly (includes 2 - 6; 8 - 12)	1	6	VB145	Governor control lever	1
2	VC29	Friction disc	1	7	PG412	Bracket	1
3	PE14	Lock washer, no. 10 positive	2	8	PG358A	Adjusting strap	1
4	XA7	Screw, no. 10-32 thread x 3/8" long	4	9	XI7	Cotter pin, 3/32" x 3/4" long	1
5	XE47	Set screw, 1/4"-20 thread x 3/4" long	1	10	* _____	No. 1/10 safety chain	1
				11	XA35	Screw, 1/4"-20 thread x 5/8" long	1
				12	PH282	Friction washer	1

* Not serviced separately.

**TT53
Governor Control Assembly**

USE WITH MODELS AFH, AGH, AHH



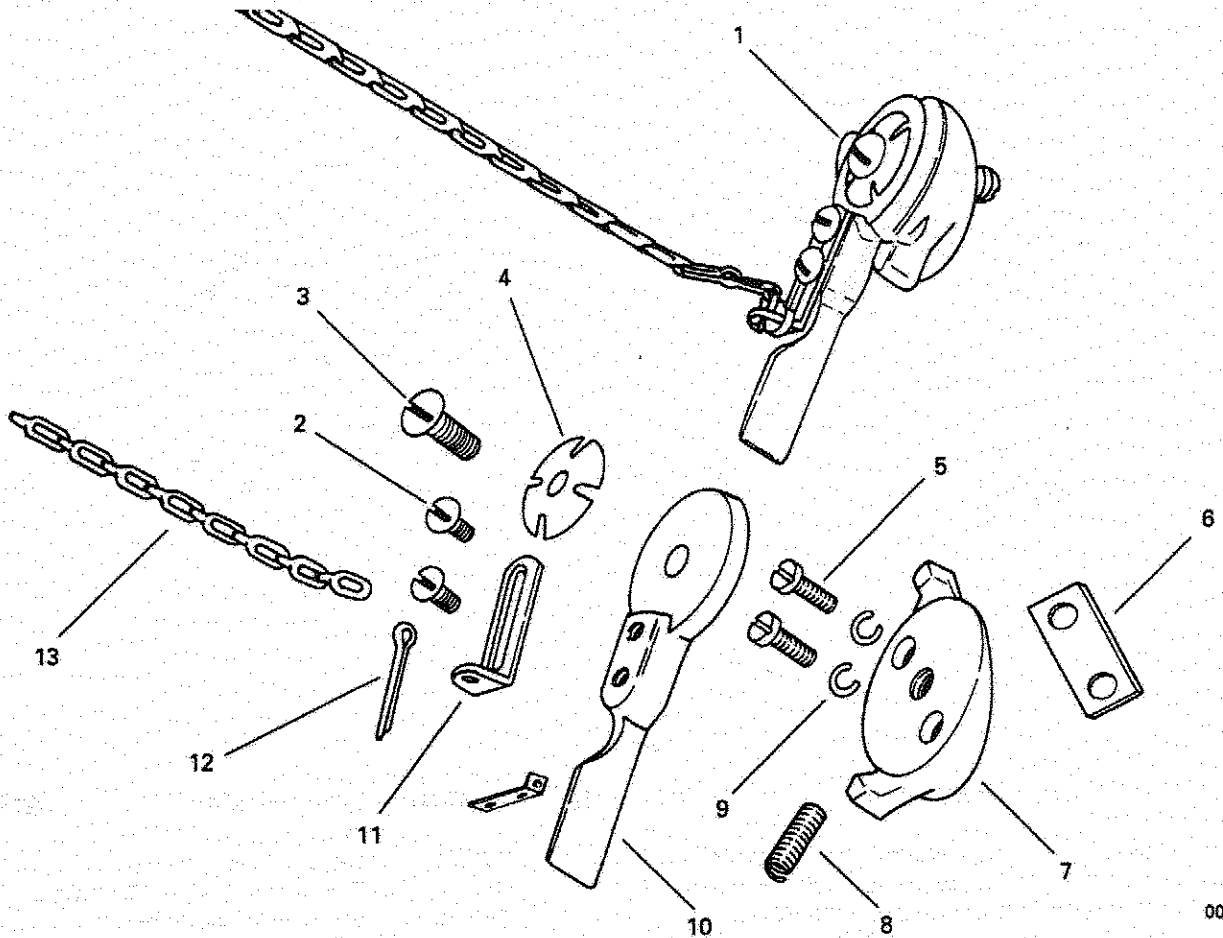
0004

ITEM	PART NO.	DESCRIPTION	QTY	ITEM	PART NO.	DESCRIPTION	QTY
1	TT53	Governor control assembly (includes 2 - 11)	1	7	PG358A	Adjusting strap	1
2	VC29	Friction disc	1	8	XI7	Cotter pin, 3/32" x 3/4" long	1
3	PE14	Lock washer, no. 10 positive	2	9	* -----	No. 9100G galvanized furnace chain	1
4	XA7	Screw, no. 10-32 thread x 3/8" long	4	10	XA35	Screw, 1/4"-20 thread x 5/8" long	1
5	XE47	Set screw, 1/4"- 20 thread	1	11	PH282	Friction washer	1
6	VB145	Governor control lever	1				

* Not serviced separately.

TT53B Variable Speed Governor Control Assembly

USE WITH MODEL AGND



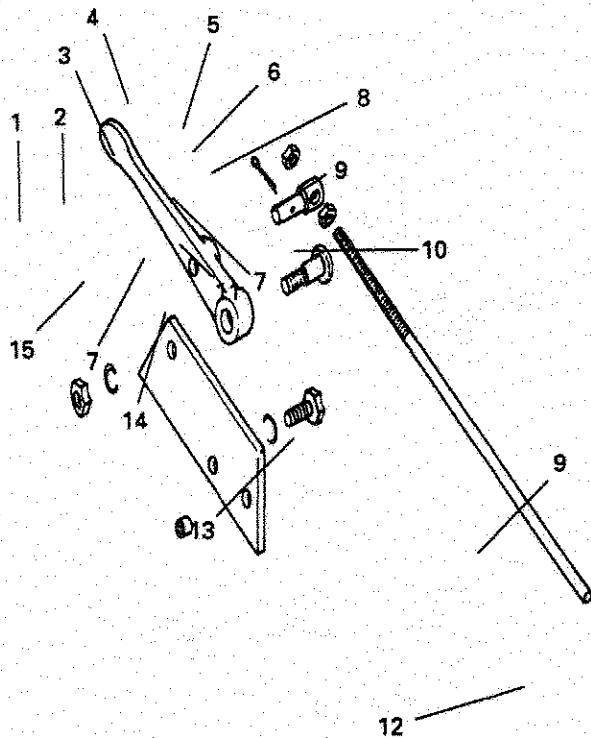
0005

ITEM	PART NO.	DESCRIPTION	QTY	ITEM	PART NO.	DESCRIPTION	QTY
1	TT53B	Control assembly	1	9	PE14	Lock washer, no. 10 positive	2
2	XA7	Screw, no. 10-32 thread x 3/8" long	2	—	PH236	Plain washer, 3/16" I.D. x 1/2" O.D. x 1/16" (not illustrated)	1
3	XA35	Screw, 1/4"-20 thread x 5/8" long	1	10	VB145	Control lever	1
4	PH282	Friction washer	1	11	PG358A	Adjusting strap (replaces PG358 and PG3581)	1
5	XB5	Screw, no. 10-32 thread x 5/8" long	2	12	XI7	Cotter pin, 3/32" x 3/4" long	1
6	PG848	Spacer	1	13	* — — —	No. 1/0 galvanized safety chain	1
7	VC29-2	Friction disc	1				
8	XE47	Set screw, 1/4"-20 thread x 3/4" long	1				

* Not serviced separately.

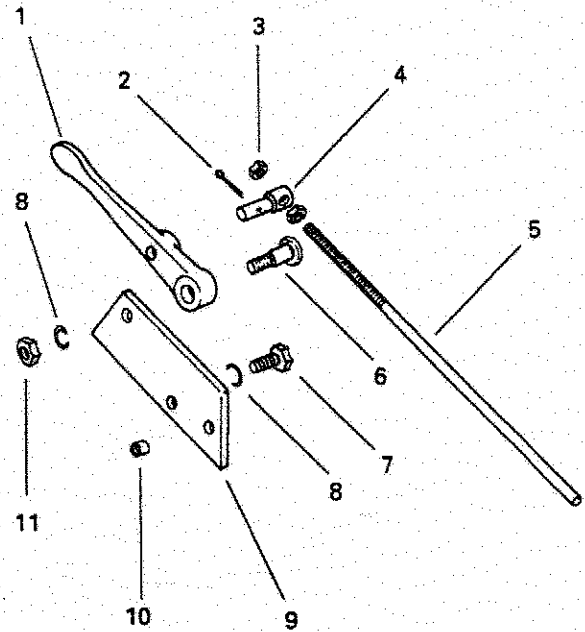
TT61C1 Variable Speed Governor Control Assembly

USE WITH MODEL VG4D



TT61D Two Speed Governor Control Assembly

USE WITH MODEL VG4D



0006

0007

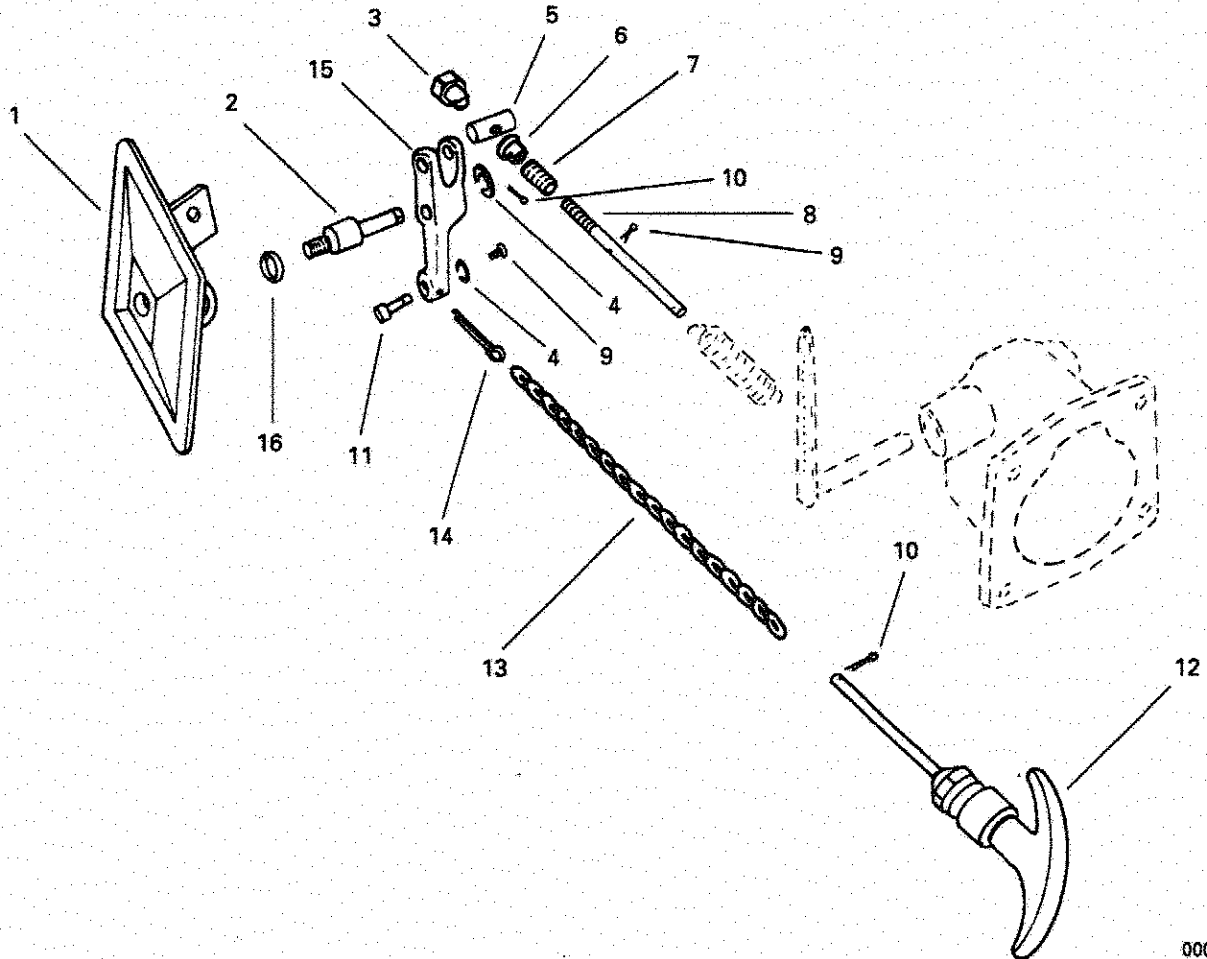
ITEM	PART NO.	DESCRIPTION	QTY
1	PE3	Lock washer, 1/4" positive	1
2	TC528S1	Pin (replaces TC365D)	1
3	VB269S2	Variable speed lever (replaces VB134A)	1
4	PD173A	Locknut	1
5	TC368A	Pin	1
6	PK121	Retainer	1
7	PK182	Retaining ring	2
8	PM111	Spring	1
9	XI1	Cotter pin, 1/16" x 1/2" long	2
10	PI145-1	Adjusting screw, 6-3/4" long	1
11	XA134	Screw, 8-32 thread x 1/2" long (replaces XA62)	1
12	VE527W	Control	1
13	*	No. 1/0 galvanized safety chain, 12" long	1
15	XI7	Cotter pin, 3/32" x 3/4" long (replaces XI11)	1
14	VE877	Wire connector	1

ITEM	PART NO.	DESCRIPTION	QTY
1	VB142	Control lever	1
2	XI1	Cotter pin, 1/16" x 1/2" long	1
3	PD115	Nut, no. 10-32 thread	2
4	TC381-1	Pin	1
5	PI147B	Adjusting screw, 10-1/2" long	1
6	TC380	Fulcrum pin	1
7	XD6	Screw, 1/4"-20 thread x 3/4" long	1
8	PE3	Lock washer, 1/4" positive	2
9	PG466	Bracket	1
10	HF417	Spacer	1
11	PD77	Nut, 1/4"-20 thread	1
—	VE558B	Governor rod	

* Not serviced separately.

TT66 Variable Speed Governor Control Assembly

USE WITH MODELS TE, TF, THD, TJD

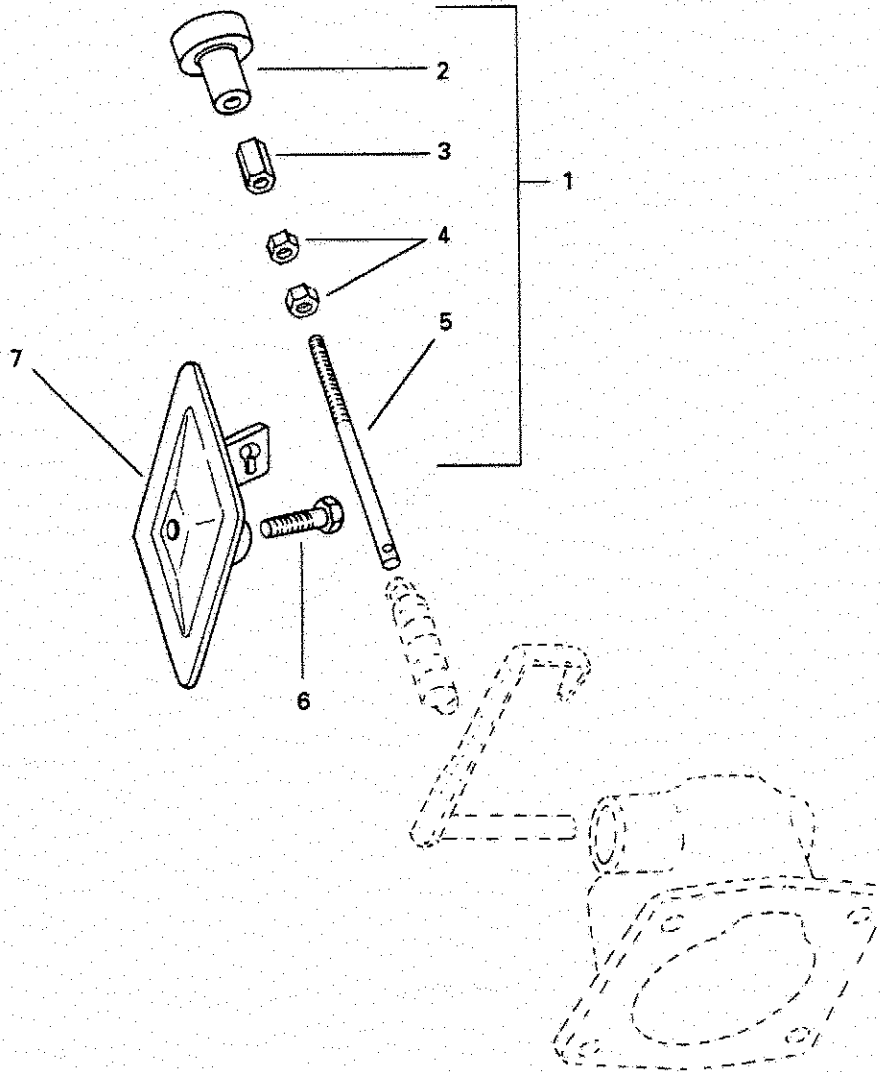


0008

ITEM	PART NO.	DESCRIPTION	QTY	ITEM	PART NO.	DESCRIPTION	QTY
1	SA78G	Cover (replaces VE542B and XE61)	1	10	XI1	Cotter pin, 1/16" x 1/2" long	2
2	TC530	Fulcrum pin (replaces TC427B)	1	11	VE887	Wire connector	1
3	PD173A	Locknut	1	12	VE527W	Control	1
4	PK182	Retaining ring (replaces PH77 and XI11)	2	13	PN100-17	Galvanized safety chain, 9" long	1
5	TC368A	Pin	1	14	XI7	Cotter pin, 3/32" x 3/4" long	1
6	PK121	Retainer	1	15	VB270S1	Lever assembly (replaces VB134C)	1
7	PM111-1	Spring	1	16	PH14	Plain washer, 5/16" I.D. x 5/8" O.D. x .040	1
8	PI115W	Adjusting screw	1				
9	XA134	Screw, no. 8-32 thread x 1/2" long (replaces XA62)	1				

TT66F Idle Control Assembly

USE WITH MODELS TE, TF, TH, THD, TJD

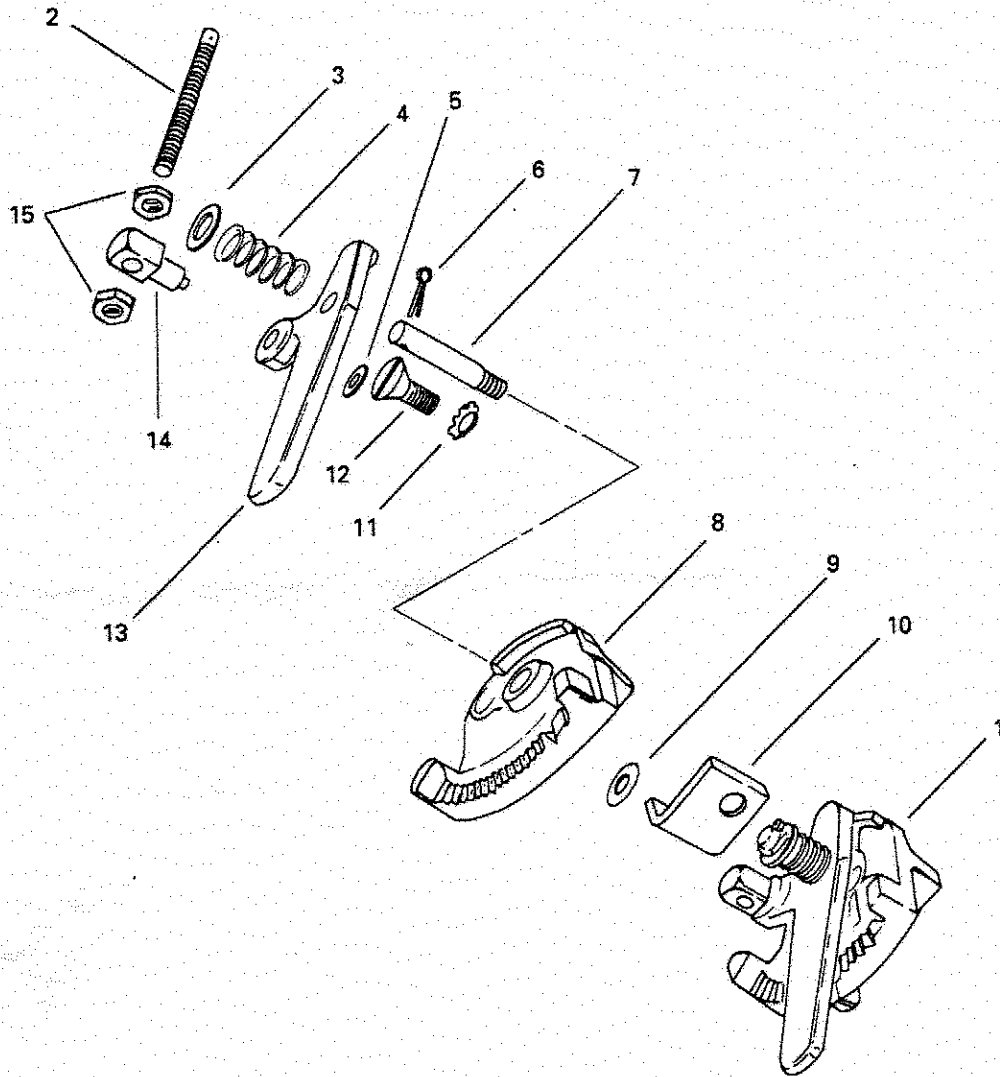


0009

ITEM	PART NO.	DESCRIPTION	QTY
1	PI171AS1	Control rod assembly (includes 2 - 5)	1
2	VE452A	Control knob	1
3	VE657A	Locknut, long	1
4	VE657	Locknut, short	2
5	PI171A	Control rod	1
6	XD22	Screw, 5/16"-18 thread x 1-3/4" long	1
7	SA68A	Tappet cover and control rod support	1

TT74D Variable Speed Governor Control Assembly

USE WITH MODELS AENL, AENLD

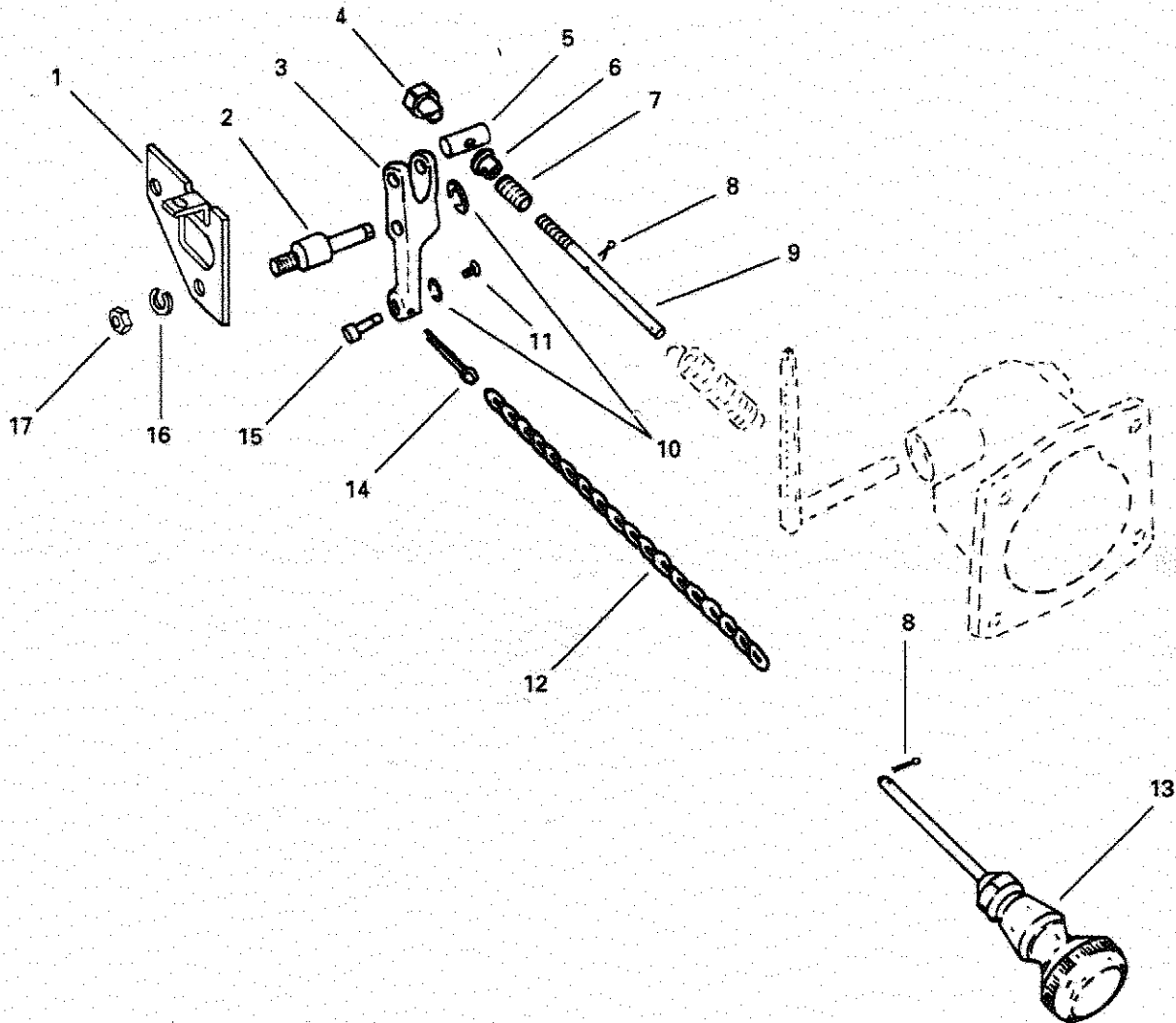


0010

ITEM	PART NO.	DESCRIPTION	QTY	ITEM	PART NO.	DESCRIPTION	QTY
1	VE584A	Control assembly (includes 4, 7, 8, 13, 14)	1	8	VC35	Control bracket	1
2	PI121A	Screw (replaces PI121)	1	9	QD695	Gasket (replaces PH221)	1
3	PH84	Washer, 1/4" I.D. x 1/2" O.D. x 1/16"	1	10	PG563	Brace	1
4	PM117	Spring	1	11	PE55	Washer, 1/4"	1
5	PH253	Washer, 5/32" I.D. x 3/8" O.D. x 1/32"	1	12	XC14	Screw, 1/4"-20 thread x 5/8" long	1
6	XI1	Cotter pin, 1/16" x 1/2" long	1	13	VB179A	Control lever	1
7	PC393-2	Pin	1	14	TC301-3	Swivel block	1
				15	PD115	Nut, no. 10-32 thread	2

TT90 Variable Speed Governor Control Assembly

USE WITH MODEL V465D

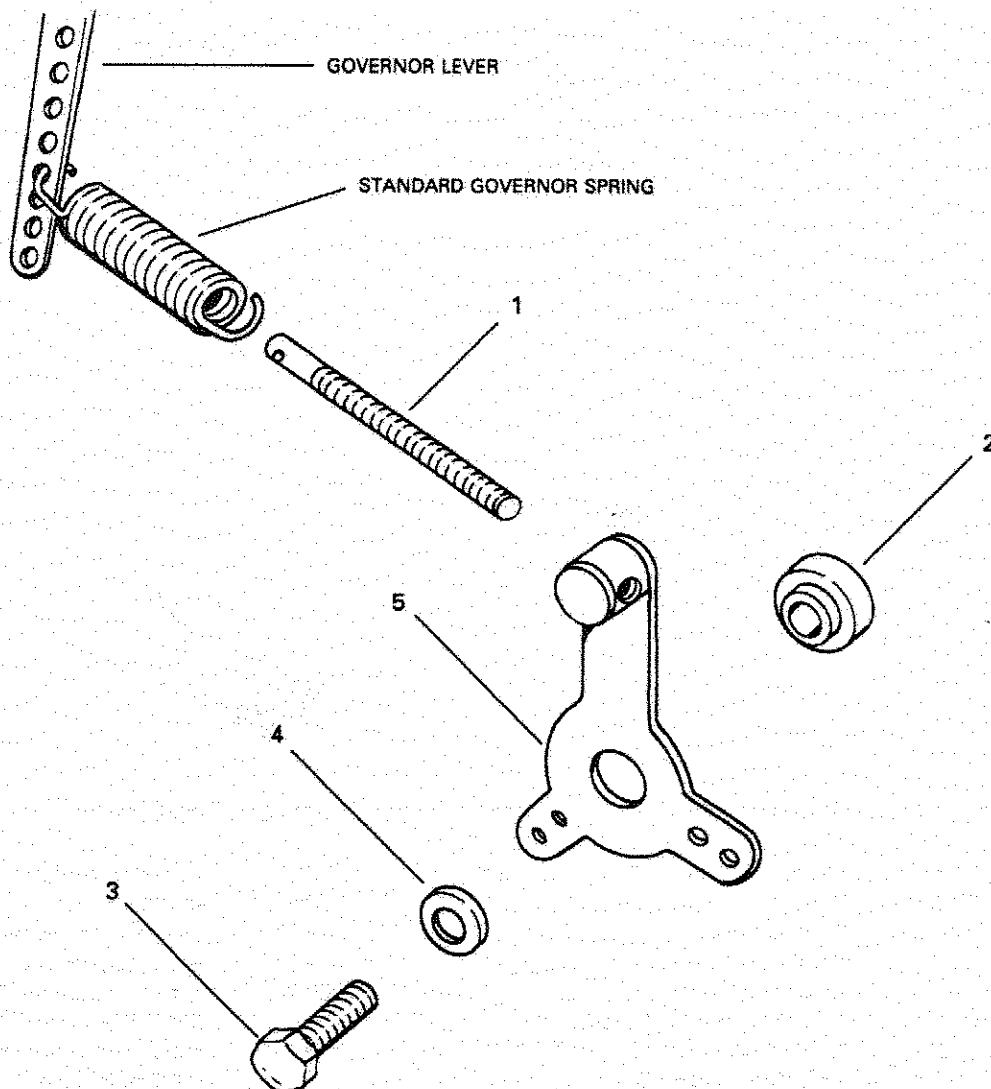


0011

ITEM	PART NO.	DESCRIPTION	QTY	ITEM	PART NO.	DESCRIPTION	QTY
1	PG914A	Bracket	1	11	XA134	Screw, 8-32 thread x 1/2" long	1
2	TC529S1	Fulcrum pin	1	12	PN100-26	No. 1/0 galvanized safety chain	1
3	VB269	Variable speed lever	1	13	VE527W	Control	1
4	PD173A	Locknut	1	14	XI7	Cotter pin, 3/32" x 3/4" long	1
5	TC368G	Pin	1	15	VE887	Connector wire	1
6	PK121	Retainer	1	16	PE3	Lock washer, 1/4" positive	1
7	PM111	Spring	1	17	PD77	Nut, 1/4"-20 thread	1
8	XI1	Cotter pin, 1/16" x 1/2" long	2				
9	PI145-3	Adjusting screw, 6-3/4" long	1				
10	PK182	Retaining ring	2				

TT94A Variable Speed Governor Control Assembly

USE WITH MODELS TRA10D, TR10D, TRA12D

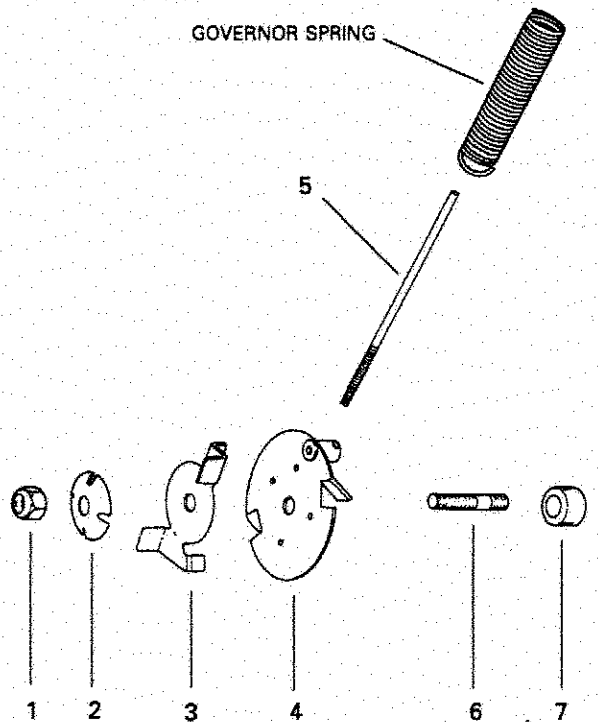


0012

ITEM	PART NO.	DESCRIPTION	QTY
1	PI115B	Adjusting screw	1
2	VE570A	Fulcrum spacer	1
3	XA35	Screw, 1/4"-20 thread x 5/8" long	1
4	PH84	Washer, 1/4" I.D. x 1/2" O.D. x 1/16"	1
5	VB238A	Control lever assembly	1

TT94B Variable Speed Governor Control Assembly

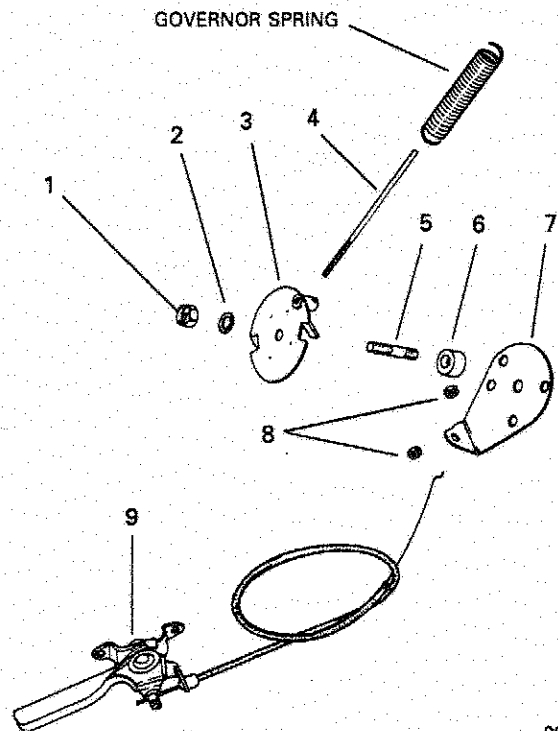
USE WITH MODELS S7D, S8D,
TRA10D, TR10D, TRA12D



0013

TT94C Variable Speed Governor Control Assembly

USE WITH MODELS S7D, S8D,
TRA10D, TR10D, TRA12D



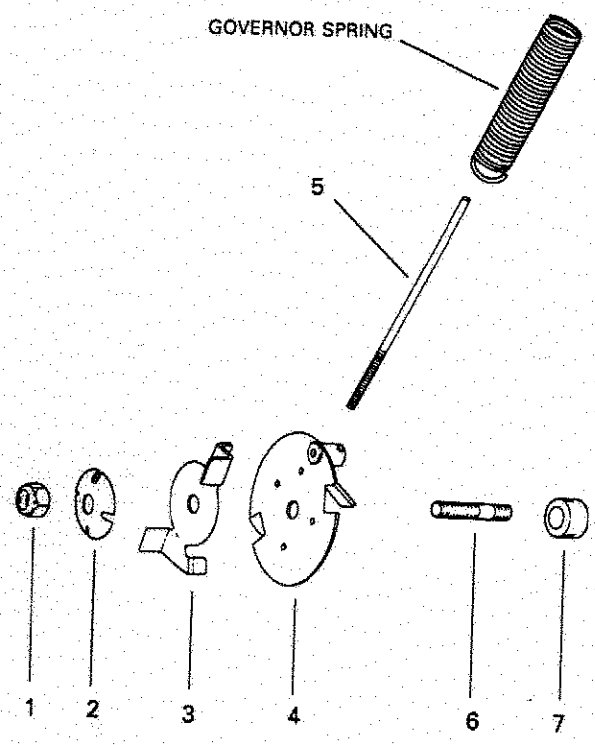
0014

ITEM	PART NO.	DESCRIPTION	QTY
1	PD251	Locknut (replaces PD217)	1
2	PH282	Spring washer	1
3	VB244	Control handle	1
4	VC43A	Control disc assembly	1
5	* ———	Adjusting screw	1
—	PI217-1	Adjusting screw, 5" long, 3000 to 3600 R.P.M. (TRA10D)	—
—	PI217-4	Adjusting screw, 5-1/4" long, 3000 to 3600 R.P.M. (TRA12D)	—
—	PI217-5	Adjusting screw, 3-5/8" long, thru 2900 R.P.M. (TRA10D)	—
—	PI217-3	Adjusting screw, 5-5/8" long, thru 2900 R.P.M. (TRA12D)	—
6	PC377	Stud	1
7	HF52	Spacer	1

ITEM	PART NO.	DESCRIPTION	QTY
1	PD251	Locknut (replaces PD217)	1
2	PH30A	Washer	1
3	VC43A	Control disc assembly	1
4	* ———	Adjusting screw	1
—	PI217-1	Adjusting screw, 5" long, 3000 to 3600 R.P.M. (TRA10D)	—
—	PI217-4	Adjusting screw, 5-1/4" long, 3000 to 3600 R.P.M. (TRA12D)	—
—	PI217-5	Adjusting screw, 3-5/8" long, thru 2900 R.P.M. (TRA10D)	—
—	PI217-3	Adjusting screw, 5-5/8" long, thru 2900 R.P.M. (TRA12D)	—
5	PC377	Stud	1
6	HF52	Spacer	1
7	PG1104	Bracket	1
8	PD187	Locknut	2
9	* ———	Control assembly	1

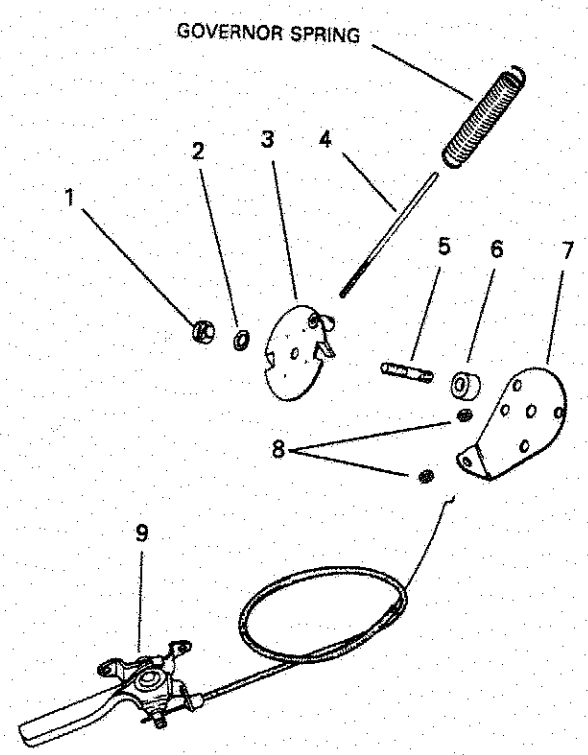
* Not serviced separately.

TT96 Variable Speed Governor Control Assembly
 USE WITH MODELS S10D, S12D, S14D



0013

TT96A Variable Speed Governor Control Assembly
 USE WITH MODELS S10D, S12D, S14D



0014

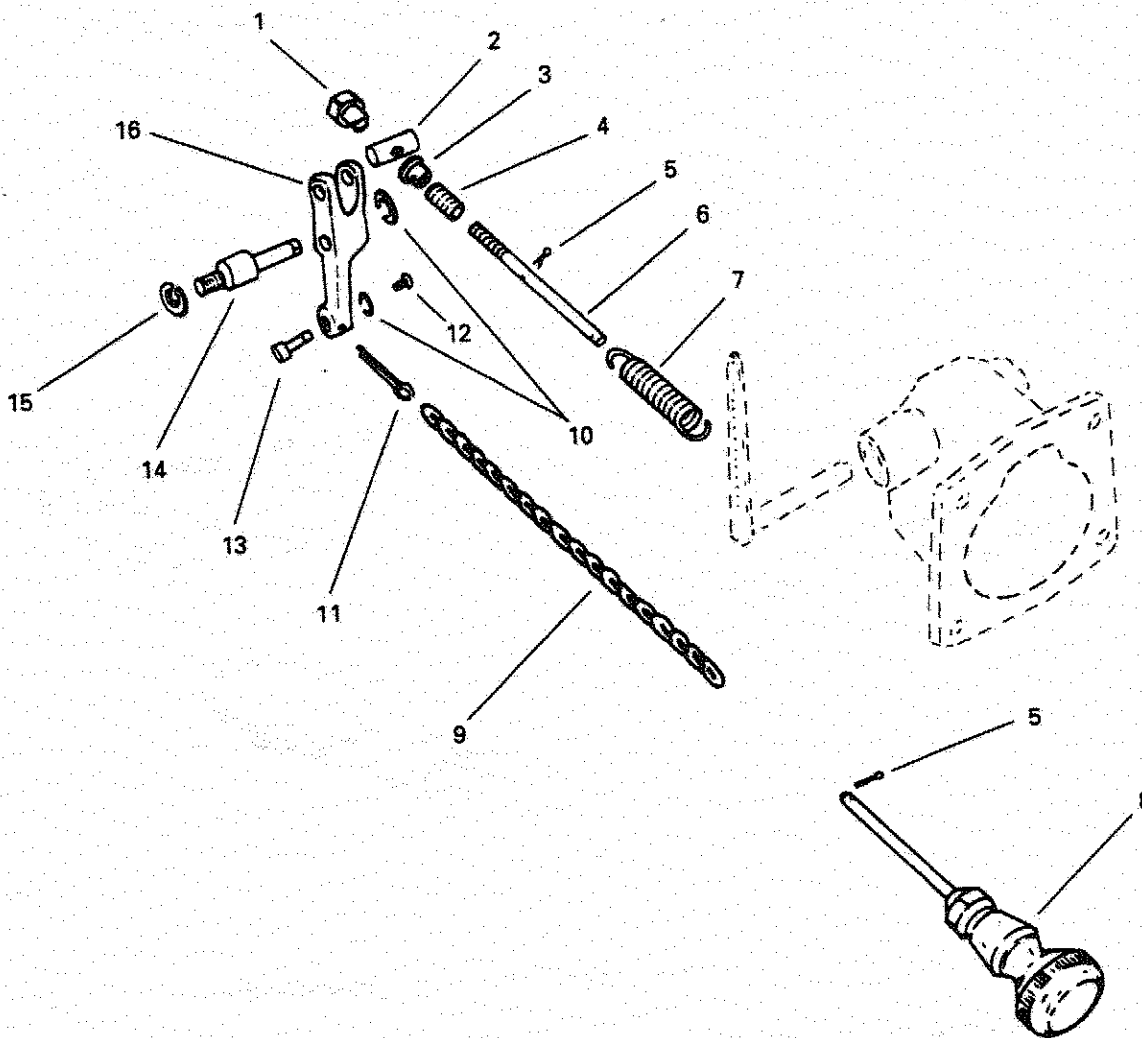
ITEM	PART NO.	DESCRIPTION	QTY
1	PD251	Locknut, 1/4"-28 thread (replaces PD217)	1
2	PH282	Spring washer	1
3	VB244	Control handle	1
4	VC43A	Control disc assembly	1
5	PI219	Adjusting screw, 3-5/8" long, 2600 to 3600 R.P.M.	1
—	PI219A	Adjusting screw, 4-1/4" long, below 2600 R.P.M.	1
6	PC377	Stud	1
7	HF52	Spacer	1

ITEM	PART NO.	DESCRIPTION	QTY
1	PD251	Locknut, 1/4"-28 thread (replaces PD217)	1
2	PH30A	Washer	1
3	VC43A	Control disc assembly	1
4	PI219	Adjusting screw, 3-5/8" long, 2600 to 3600 R.P.M.	1
—	PI219A	Adjusting screw, 4-1/4" long, below 2600 R.P.M.	1
5	PC377	Stud	1
6	HF52	Spacer	1
7	PG1104	Bracket	1
8	PD187	Locknut	2
9	* ———	Control assembly	1

* Not serviced separately.

TT99 Governor Control Assembly

USE WITH MODEL W4-1770

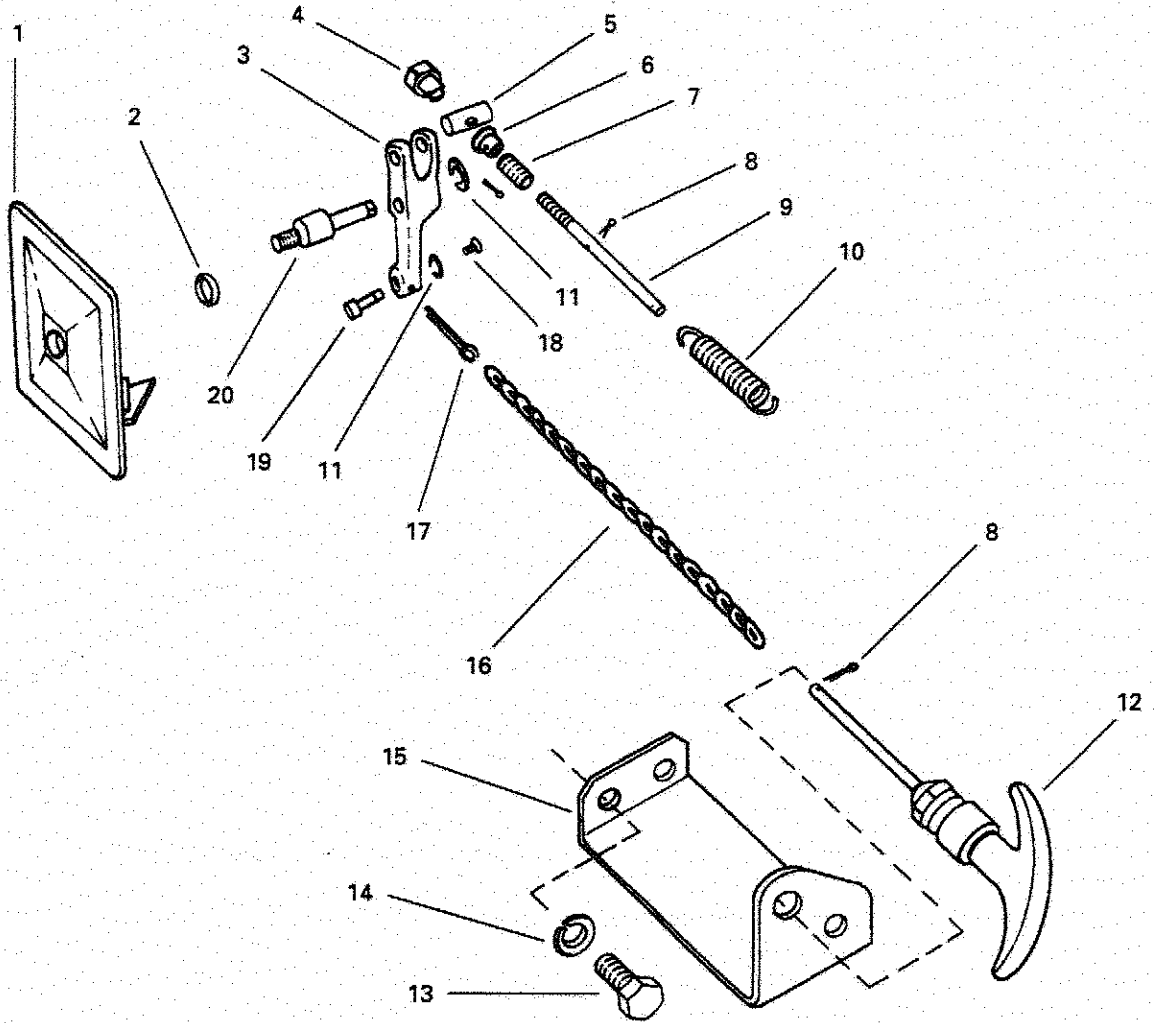


ITEM	PART NO.	DESCRIPTION	QTY	ITEM	PART NO.	DESCRIPTION	QTY
1	PD173A	Locknut	1	10	PK182	Retaining ring	2
2	TC368A	Pin	1	11	XI11	Cotter pin, 3/32" x 1-1/4" long	1
3	PK121	Retainer	1	12	XA134	Screw, 8-32 thread x 1/2" long (replaces XA80)	1
4	PM111-1	Spring	1	13	VE677 VE687	Wire connector	1
5	XI1	Cotter pin, 1/16" x 1/2" long	2	14	TC527S1	Fulcrum pin (replaces TC365)	1
6	PI115E	Adjusting screw, 5-15/16" long	1	15	PE3	Lock washer, 1/4"	1
7	PM76	Spring	1	16	VB269S2	Lever (replaces VB134A)	1
8	VE527W	Control	1				
9	PN100-25	Chain, #1/0 galvanized safety, 11" long	1				

0015

TT104, TT104-1 Governor Control Assemblies

USE WITH MODEL W2-880

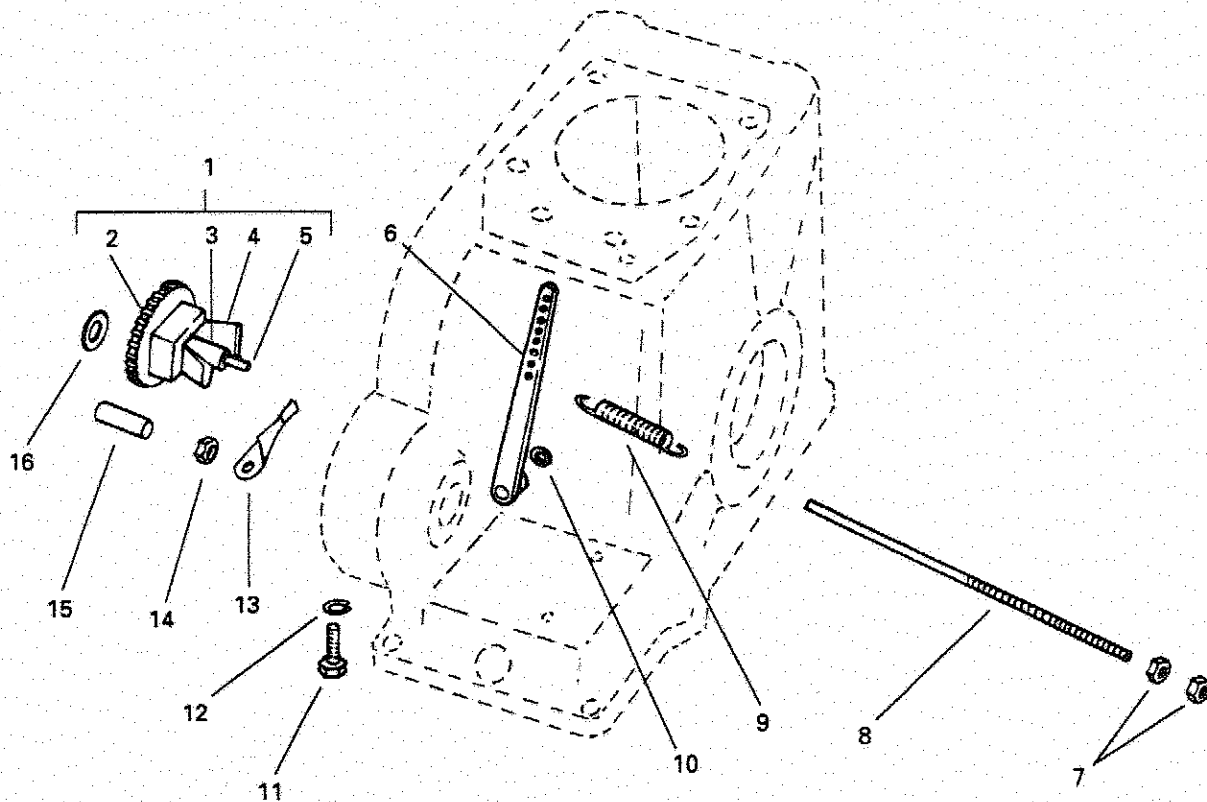


ITEM	PART NO.	DESCRIPTION	QTY	ITEM	PART NO.	DESCRIPTION	QTY
1	SA68G	Cover	1	13	XD15	Screw, 5/16"-18 x 3/4" long	2
2	PH14	Washer 5/16"	1	14	PE4	Lockwasher, 5/16"	2
3	VB270	Lever (replaces VB134C)	1	15	PG1317	Bracket	1
4	PD173A	Locknut	1	16	PN100-22	Chain, #1/0 galvanized safety 11" long	1
5	TC368A	Pin	1	17	XI7	Cotter pin, 3/32" x 3/4" long	1
6	PK121	Retainer	1	18	XA134	Screw, 8-32 thread x 1/2" long (replaces XA5)	1
7	PM111-1	Spring	1	19	VE887	Wire connector	1
8	XI1	Cotter pin, 1/16" x 1/2" long	1	20	TC527	Fulcrum pin (replaces TC365)	1
9	PI115W	Adjusting screw	1				
10	PM75	Spring	1				
11	PK182	Retainer ring	2				
12	VE527W	Control	1				

0016

T85-4 Governor Assembly

USE WITH MODELS AFH, AGH, AHH

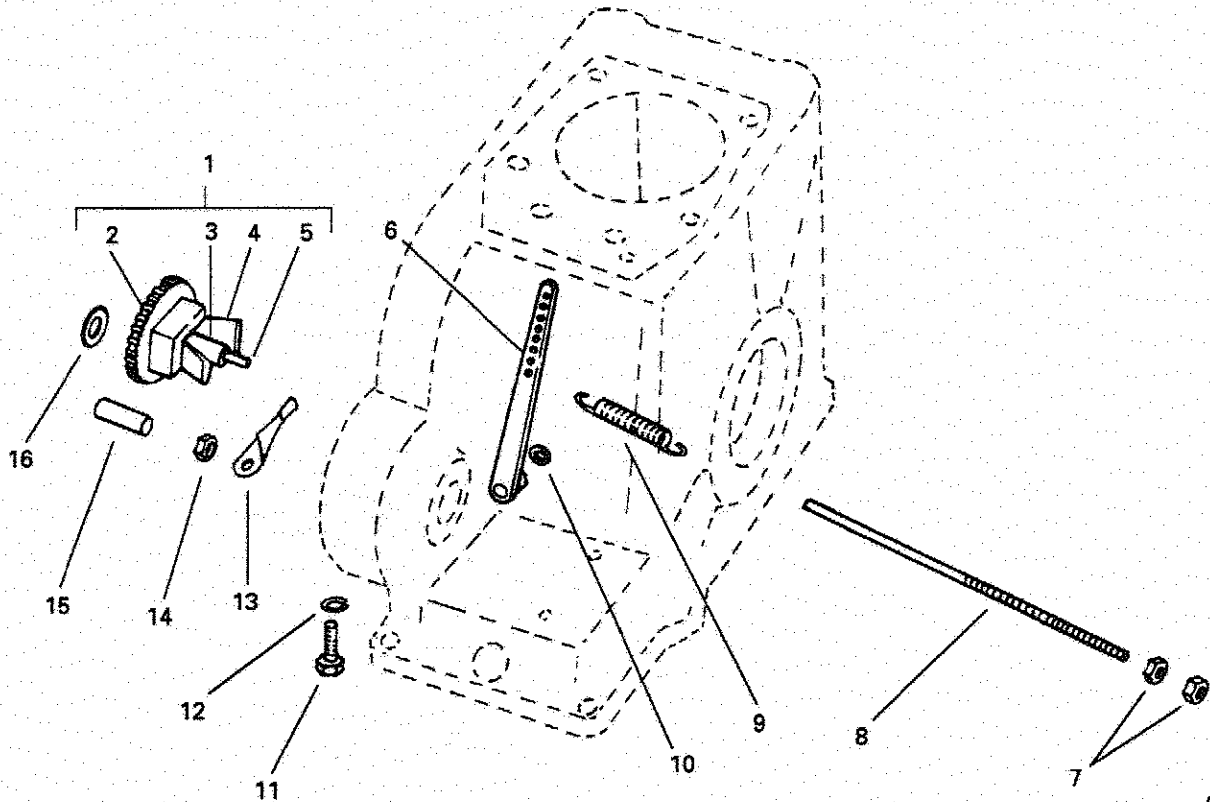


0017

ITEM	PART NO.	DESCRIPTION	QTY	ITEM	PART NO.	DESCRIPTION	QTY
1	TC378	Governor flyweight assembly (includes 2 - 4, 15; includes rivets)	1	—	PM142	Governor spring, 1/4" x 1-29/32"	1
2	GD98	Governor gear	1	10	JK52	"O" ring	1
3	TC370B	Governor gear sleeve (replaces TC370)	1	11	XB82	Screw, 1/4"-20 thread x 7/8" long, engines beginning with serial no. 1956917	1
4	TC371A	Governor flyweight (replaces TC371)	2	—	TC379	Stop pin and 2 XI1 Cotter pins, engines to and including serial no. 1956916, replaced by XB82 and PE3)	1
5	TC372	Governor plunger	1	12	PE3	Lock washer, 1/4" positive	1
6	TC377A2	Outer governor lever and fulcrum pin (includes item 9; replaces TC377A)	1	13	TC375	Inner governor lever	1
7	PD115	Nut, no. 10-32 thread	2	14	PD141	Nut, 5/16"-24 thread	1
8	VE150C2	Governor spring adjusting screw	1	15	TC373	Governor shaft	1
9	PM140	Governor spring 3/8" x 1-9/32"	1	16	PH313	Shim (NLA)	1
—	PM141	Governor spring, 5/16" x 1-9/16"	1				

T86-3 Governor Assembly

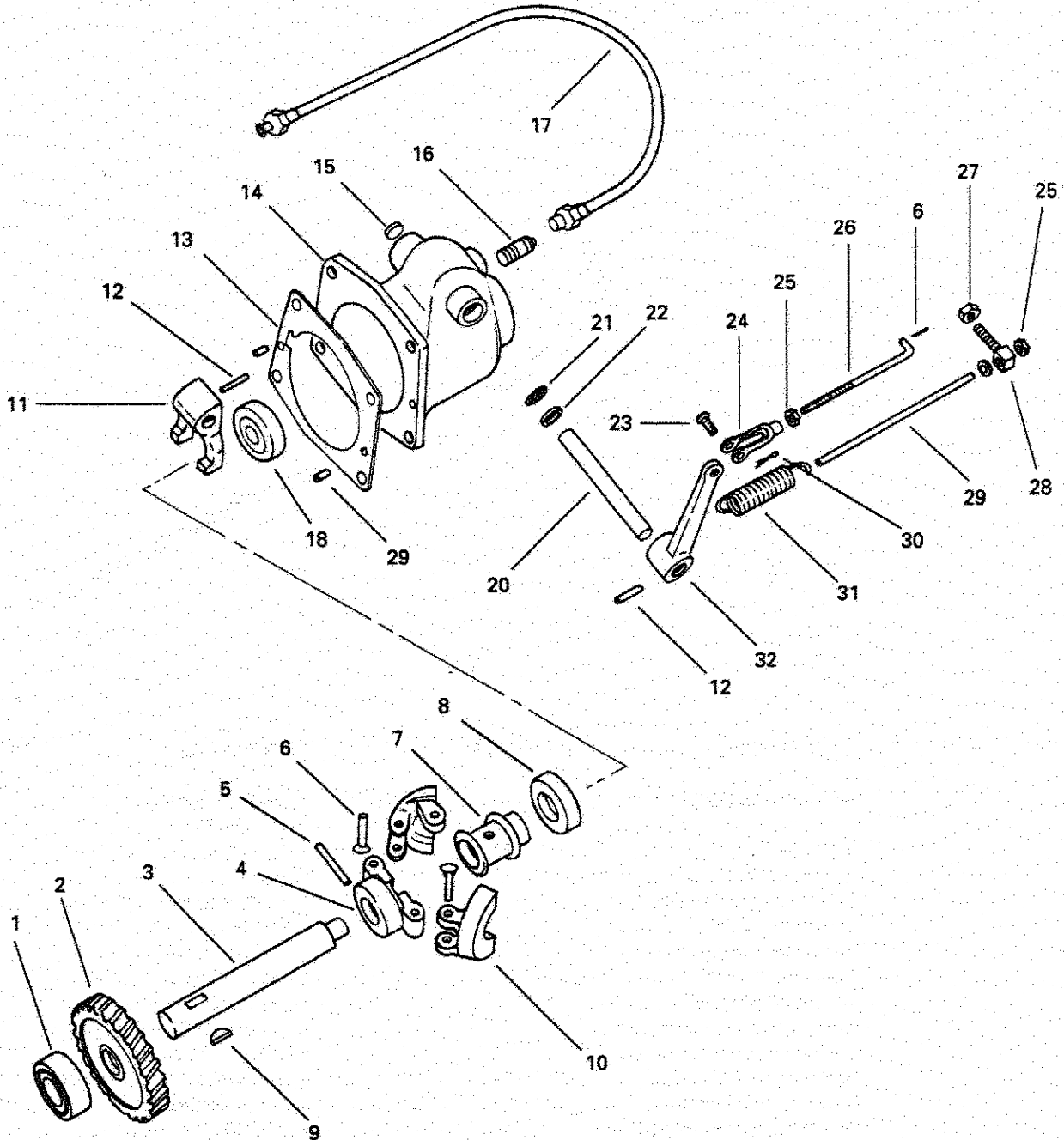
USE WITH MODELS ADH, AE, AEH, AEHS



0017

ITEM	PART NO.	DESCRIPTION	QTY	ITEM	PART NO.	DESCRIPTION	QTY
1	TC378	Governor flyweight assembly (includes 2 - 4, 15; includes rivets)	1	10	PM142	Governor spring, 1/4"-1-29/32"	1
2	GD98	Governor gear	1	11	JK52	"O" ring	1
3	TC370B	Governor gear sleeve (replaces TC370)	1	11	XB82	Screw, 1/4"-20 thread x 7/8" long, engines beginning with serial no. 1956917	1
4	TC371A	Governor flyweight (replaces TC371)	2	—	TC379	Stop pin and 2 X11 Cotter pins, engines to and including serial no. 1956916, replaced by XB82 and PE3)	1
5	TC372	Governor plunger	1	12	PE3	Lock washer, 1/4" positive	1
6	TC377-5	Outer governor lever and fulcrum pin (includes item 9; replaces TC377)	1	13	TC375	Inner governor lever	1
7	PD115	Nut, no. 10-32 thread	2	14	PD141	Nut, 5/16"-24 thread	1
8	VE150-2	Governor spring adjusting screw	1	15	TC373	Governor shaft	1
9	PM140	Governor spring, 3/8" x 1-9/32"	1	16	PH313	Shim (NLA)	1
—	PM141	Governor spring, 5/16" x 1-9/16"	1				

T84-2 Governor Assembly



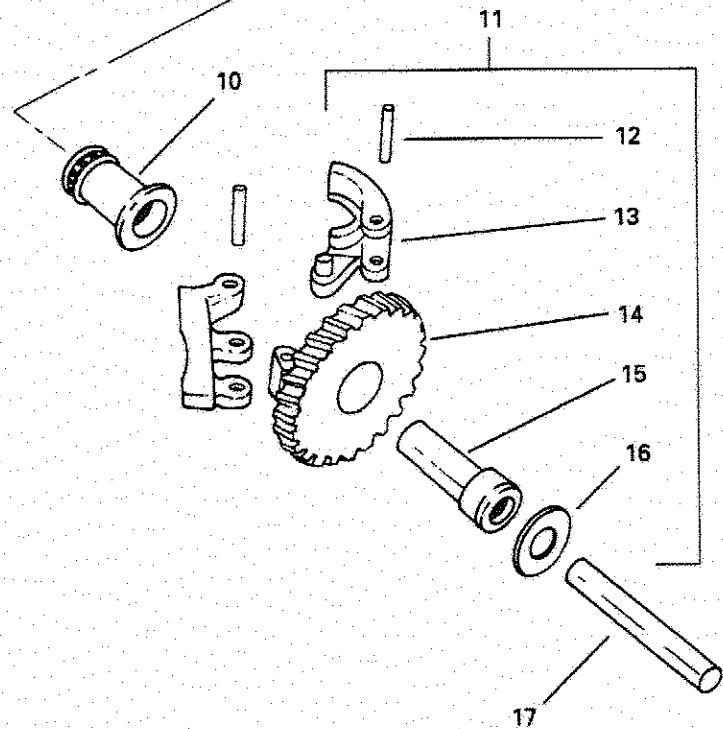
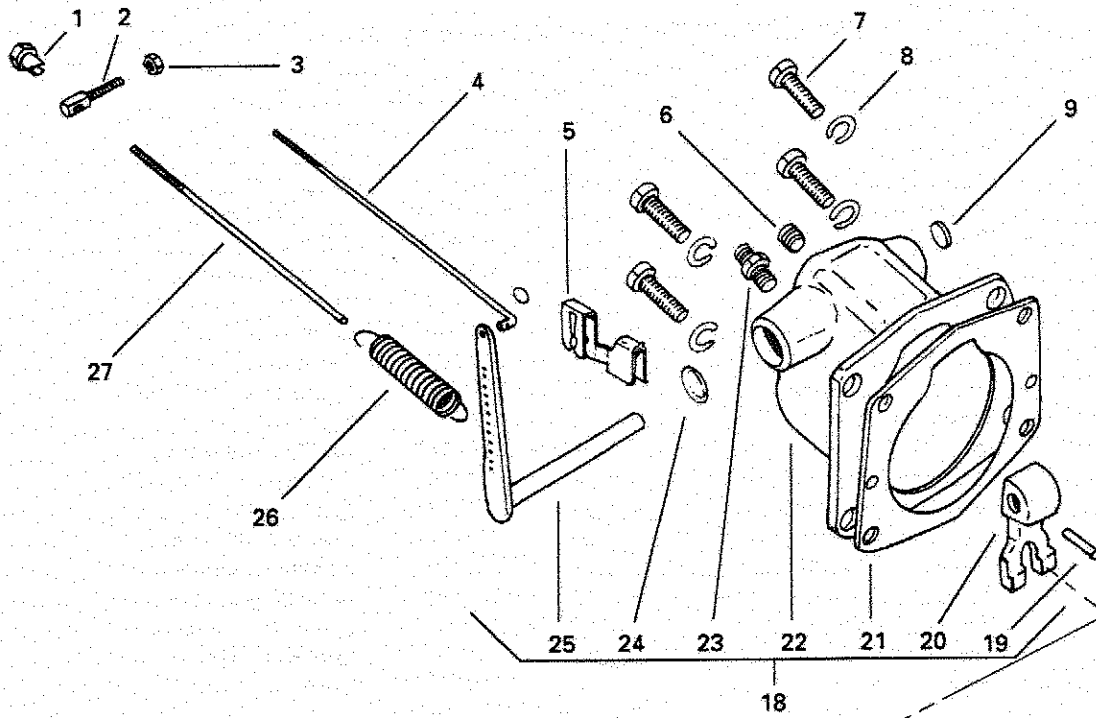
0018

T84-2 Governor Assembly

USE WITH MODELS VE4D, VF4D (see pg. 18)

ITEM	PART NO.	DESCRIPTION	QTY	ITEM	PART NO.	DESCRIPTION	QTY
1	ME112	Shaft bearing	1	14	TC363	Housing	1
2	GD95A	Governor gear	1	15	SA52	Plug, 1/2"	1
3	TA112	Drive shaft	1	16	RF2692	Straight fitting	1
4	TC346B	Flyweight hub	1	17	RM980	Oil line	1
5	XH9	Pin, no. 2 x 1-1/4" long	1	18	ME111	Housing bearing	1
6	PA340	Flyweight roll pin (replaces XJ47 or PA265)	2	19	PA294	Housing dowel pin	2
7	TC348E	Thrust sleeve and bearing (replaces TC348AS1)	1	20	TC364	Cross shaft	1
8	ME100B	Thrust bearing or	1	21	PH318	Cross shaft seal	1
	ME138	(nice 607)		22	PF118	Cross shaft seal retainer	1
9	PL21	Gear key, Woodruff No. 3	1	23	PA251	Yoke pin	1
10	TC322DS1	Flyweight assembly (includes thrust pin; replaces TC322A)	2	24	VE1581	Control rod yoke	1
11	VB98A2	Yoke	1	25	PD115	Nut, no. 10-32 thread	3
12	XH1	Pin, no. 0 x 3/4" long (replaces XH2)	2	26	VE273B1	Control rod	1
13	QD615A	Housing gasket	1	27	PD77	Nut, 1/4"-20 thread	1
				28	TC330	Adjusting screw pin	1
				29	PI115B	Adjusting screw	1
				30	XI1	Cotter pin, 1/16" x 1/2" long	1
				31	PM76	Governor spring	1
				32	VB132	Lever	1

T89-2S1, T89S1 Governor Assemblies

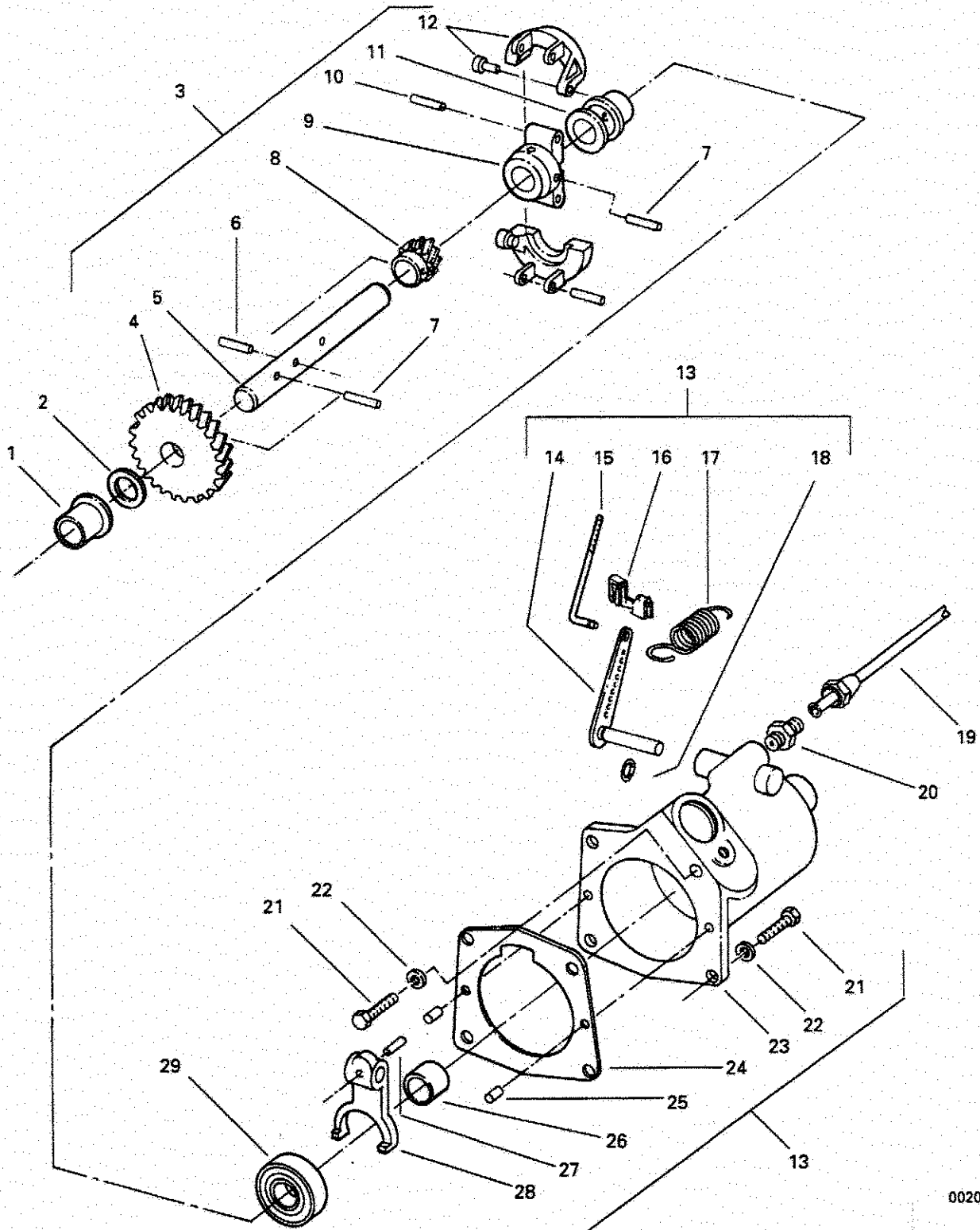


T89-2S1, T89S1 Governor Assemblies

USE WITH MODELS VE4D, VF4D (see pg. 20)

ITEM	PART NO.	DESCRIPTION	QTY	ITEM	PART NO.	DESCRIPTION	QTY
1	PD173A	Governor adjusting screw nut	1	14	GD100A3	Gear	1
2	TC367	Adjusting screw pin	1	15	TC389A	Gear bushing	1
3	PD77	Nut, 1/4"-20 thread	1	16	PH313A	Bushing washer	1
4	VE874S1	Governor control rod (includes clip)	1	17	TC3881	Governor drive shaft	1
5	PK181	Rod end clip	1	18	TC395S1	Housing assembly (includes 6, 9, 19 - 25)	1
6	PF18	Pipe plug, 1/8" slotted	1	19	XH1	Pin, no. 0 x 3/4" taper	1
7	XD16	Screw, 5/16"-18 thread x 7/8" long	4	20	VB151	Yoke	1
8	PE4	Lock washer, 5/16"	53	21	QD615A	Housing gasket	1
9	SA52	Plug, 1/2"	1	22	TC395	Housing	1
10	TC391D	Thrust sleeve and bearing (replaces TC391 & TC391B)	1	23	RF2692	Straight fitting	1
11	TC405J	Flyweight assembly (includes 12 - 16)	1	24	PH571	Oil seal for cross shaft (replaces PH318A and PF118)	1
12	PA340	Flyweight roll pin (replaces XJ47 or PA265)	2	25	TC398	Cross shaft and lever	1
13	TC322DS1	Flyweight assembly (includes thrust pin; replaces TC322A)	2	26	PM76	Governor spring	1
				27	PI115F	Governor adjusting screw	1

T89-26 Governor Assembly



0020

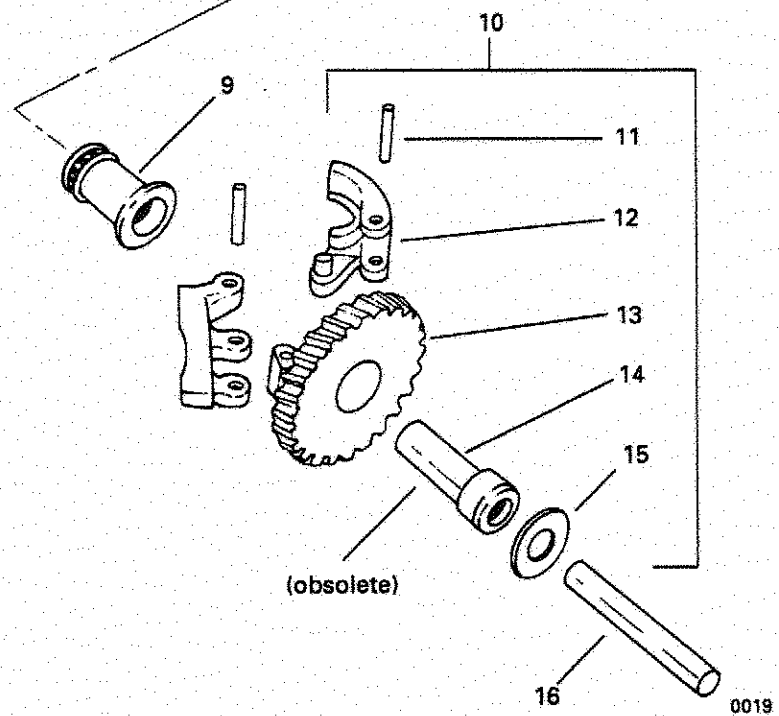
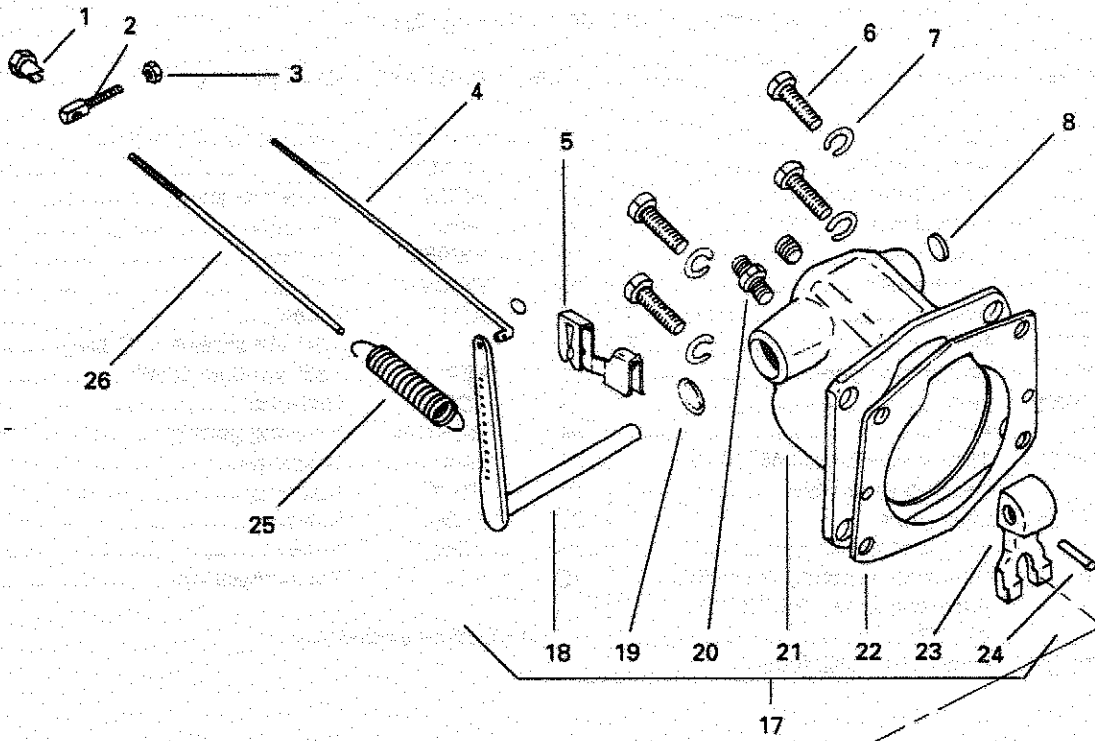
T89-26 Governor Assembly

USE WITH MODEL VG4D (see pg. 22)

ITEM	PART NO.	DESCRIPTION	QTY	ITEM	PART NO.	DESCRIPTION	QTY
1	HG271	Bushing	1	15	VE880S1	Control rod (includes clip)	1
2	PH313B	Thrust washer	1	16	PK181	Clip	1
3	TA135	Drive shaft assembly (includes 4 - 12, 29)	1	17	PM76	Governor spring	1
4	GD143	Drive gear	1	18	JK52	"O" ring	1
5	TA134	Drive shaft	1	19	RM980	Oil line	1
6	PA367	Roll pin	1	20	RF269-2	Fitting	1
7	PA359	Roll pin	2	21	XD17	Screw, 5/16"-18 thread x 1" long	4
8	GF98	Distributor gear	1	22	PE4	Lock washer, 5/16"	4
9	TC346B1	Hub	1	23	TC507	Housing	1
10	PA340	Roll pin	2	24	QD615A	Housing gasket	1
11	TC348ES1	Thrust sleeve and ME100B bearing assembly	1	25	PA473	Dowel pin	2
12	TC322DS1	Flyweight (includes thrust pin)	2	26	HG268	Bushing	1
13	TC507S2	Governor housing assembly (includes 2, 14 - 16, 18, 20, 23 - 28)	1	27	PA367	Roll pin	1
14	TC398-29	Cross shaft and lever	1	28	VB98A6	Yoke	1
				29	* — — —	Thrust bearing	1

* Not serviced separately.

T89KS1 Governor Assembly



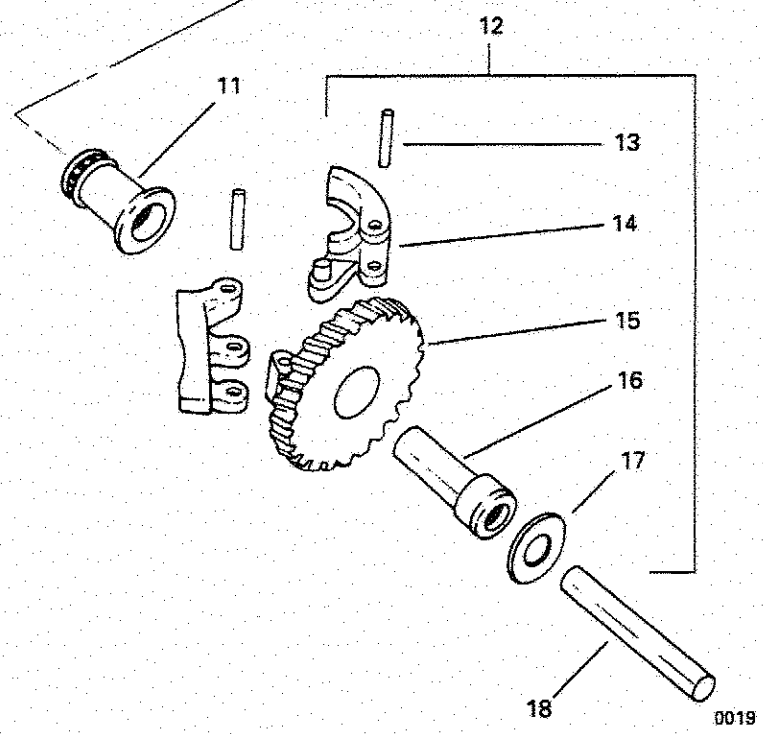
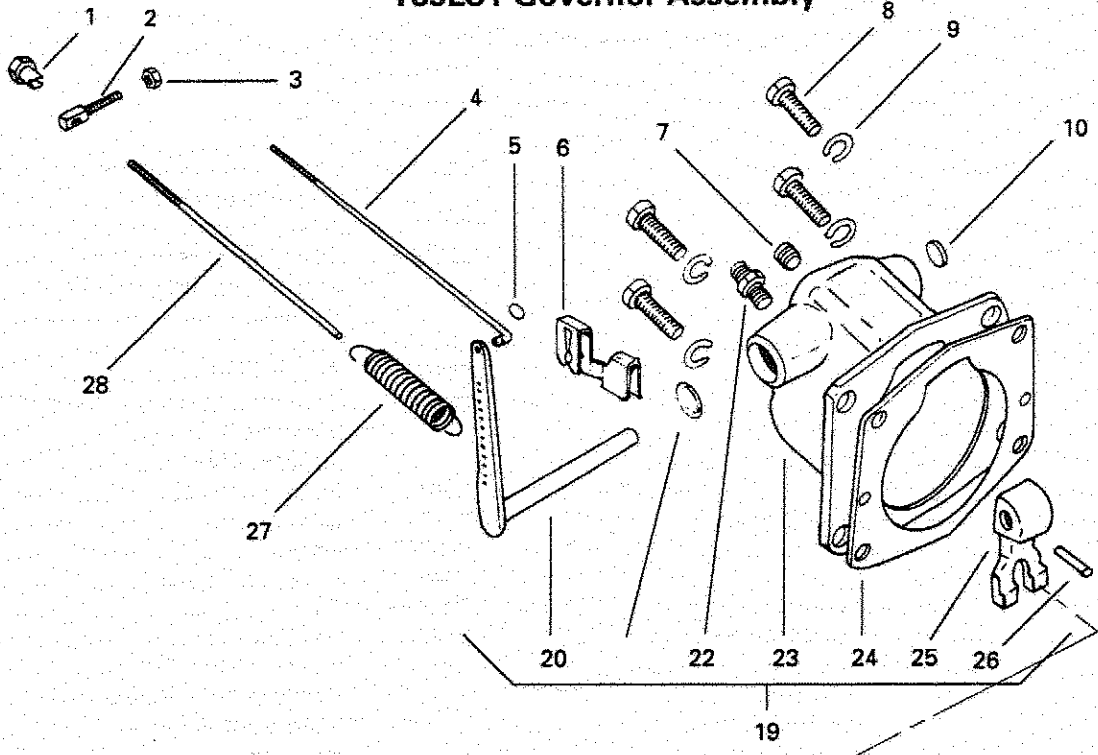
T89KS1 Governor Assembly

USE WITH MODELS VH4D, VH4, VG4D (see pg. 24)

ITEM	PART NO.	DESCRIPTION	QTY	ITEM	PART NO.	DESCRIPTION	QTY
—	T89KS1	Governor assembly (includes 8 and 16; replaces T892S)	1	12	TC322DS1	Governor flyweight assembly (includes thrust pin)	2
1	PD173A	Nut	1	13	GD147	Governor gear	
2	TC367	Adjusting screw pin	1	14	TC389A1	Governor gear bushing, engines previous to serial no. 5388502	1
3	PD77	Nut, 1/4"-20 thread	1	15	PH313A	Washer	1
4	VE874S1	Control rod (includes clip)	1	16	TC388-1	Governor shaft	1
5	PK181	Clip	1	17	TC395S1	Governor housing assembly (includes 7, 17 - 23; includes plug)	1
6	XD16	Screw, 5/16"-18 thread x 7/8" long	4	18	TC398	Cross shaft and lever	1
7	PE4	Lock washer, 5/16"	4	19	PH571	Oil seal	1
8	SA52	Plug, 1/2"	1	20	RF269-2	Fitting	1
9	TC391D	Thrust sleeve and bearing, beginning with serial no. 5388502	1	21	* TC395	Governor housing	1
—	TC391B	Thrust sleeve and bearing, previous to serial no. 5388502		22	QD615A	Gasket	1
10	TC526	Governor flyweight assembly, beginning with serial no. 5388502 (includes 10, 14; includes gear, weights, pins, rivet)	1	23	VB151	Governor yoke	1
—	TC405	Governor flyweight assembly, previous to serial no. 5388502 (includes item 13; includes gear)		24	PA367	Roll pin, 1/8" x 3/4" long (replaces XH1, if new yoke, cross shaft and lever are used)	1
11	PA340	Roll pin	2	25	PM76	Governor spring	1
				26	PI115F	Adjusting screw	1

* Not serviced separately.

T89LS1 Governor Assembly



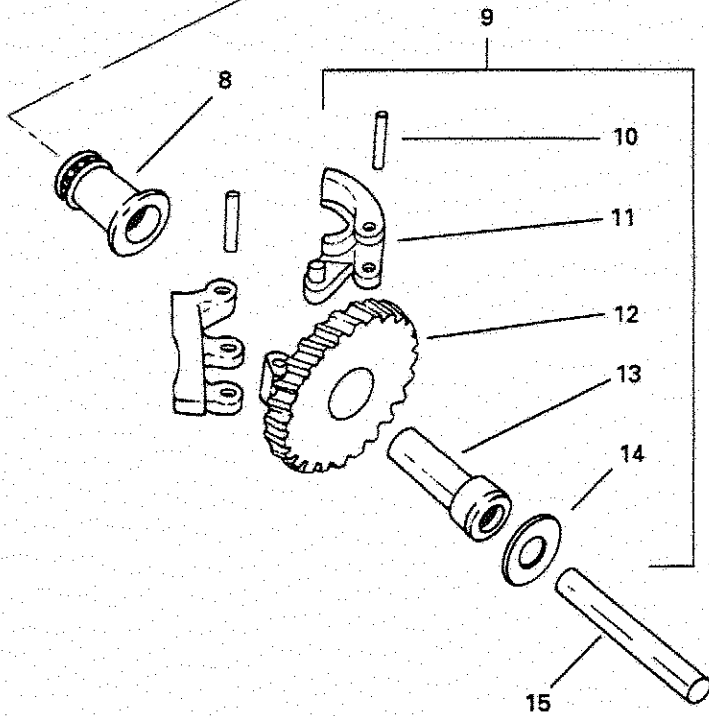
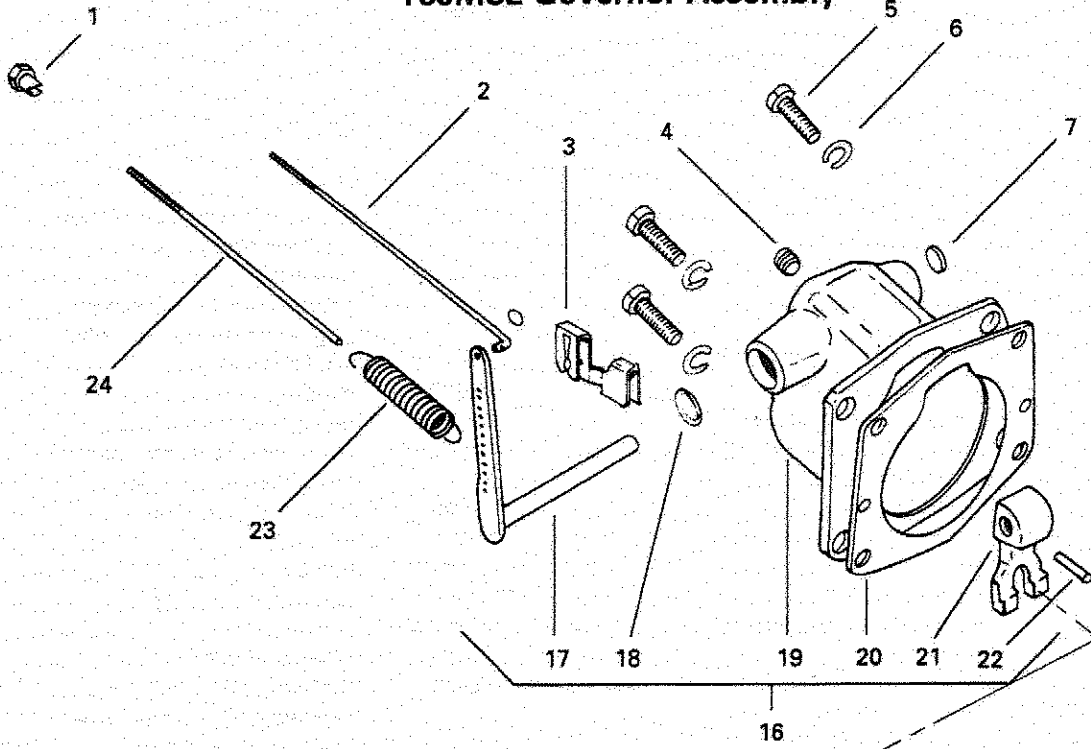
T89LS1 Governor Assembly

USE WITH MODEL VG4D (see pg. 26)

ITEM	PART NO.	DESCRIPTION	QTY	ITEM	PART NO.	DESCRIPTION	QTY
1	PD173A	Nut	1	13	PA340	Roll pin.....	2
2	TC367A	Adjusting screw pin	1	14	TC322DS1	Governor flyweight assembly (includes thrust pin)	2
3	PD77	Nut, 1/4"-20 thread	1	15	* ———	Governor gear	
4	VE875S1	Governor control rod (includes clip)	1	16	TC398A1	Governor gear bushing, engines previous to serial no. 5387370	
5	PH332	Washer, 1/8" I.D. x 5/16" O.D. x 1/32"	1	17	PH313A	Washer	1
6	PK181	Clip (replaces XI32)	1	18	TC388-1	Governor shaft	1
7	PF18	Pipe plug, 1/8" slotted	1	19	TC395S1	Governor housing assembly (includes 10, 20 - 26)	1
8	XD16	Screw, 5/16"-18 x 7/8" long	4	20	TC398	Cross shaft and lever	1
9	PE4	Lock washer, 5/16"	4	21	PH571	Oil seal	1
10	SA52	Plug, 1/2"	1	22	RF269-2	Fitting	1
11	TC391D	Thrust sleeve and bearing, beginning with serial no. 5387370.	1	23	* TC395	Governor housing	
—	TC391B	Thrust sleeve and bearing, (previous to serial no. 5387370)	1	24	QD615A	Gasket	1
12	TC526S1	Governor flyweight assembly, beginning with serial no. 5387370 (includes 13, 17; includes gear, weights, pins) ...	1	25	VB151	Governor yoke	1
—	TC405	Governor flyweight assembly, previous to serial no. 5387370 (includes item 16; includes gear)	1	26	PA367	Roll pin, 1/8" x 3/4" long (replaces XH1 if new yoke, cross shaft and lever are used)	1
				27	PM76	Governor spring	1
				28	PI145	Screw	1

* Not serviced separately

T89MS2 Governor Assembly



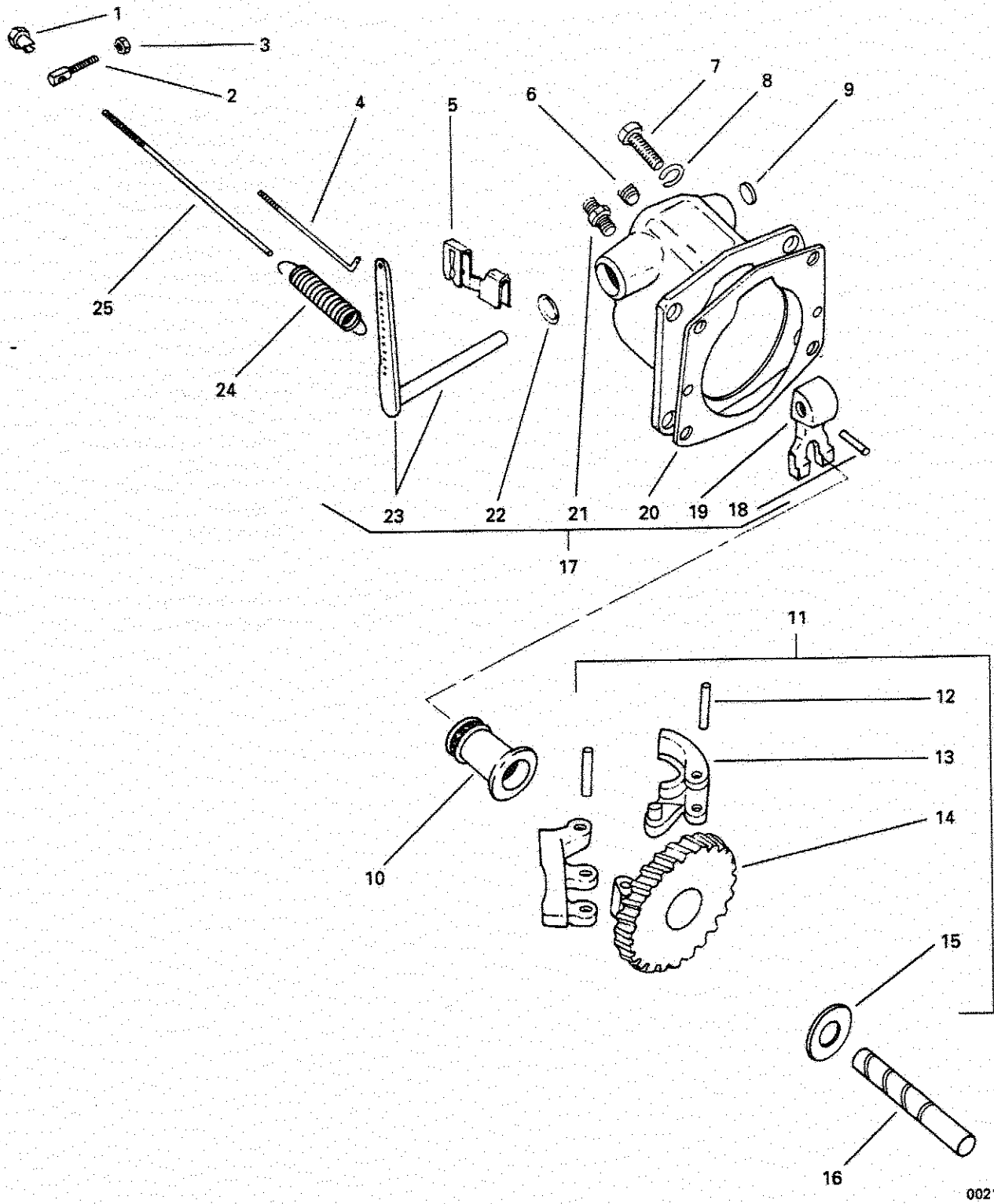
0019

T89MS2 Governor Assembly

USE WITH MODELS V465D, V460D, V461D (see pg. 28)

ITEM	PART NO.	DESCRIPTION	QTY	ITEM	PART NO.	DESCRIPTION	QTY
—	T89MS2	Governor assembly, beginning with serial no. 5356806	1	—	TC405B	Gear and flyweight assembly, obsolete T89FS1	—
—	T89MS2	Governor assembly, serial no. 5075776 to no. 5356805 (replaces T89FS2)	1	10	PA367	Flyweight roll pin	2
—	T89FS1	Governor assembly, previous to serial no. 5075776	1	11	TC322DS1	Flyweight assembly (includes thrust pin)	2
1	PD173A	Adjusting screw nut	1	12	GD147	Gear, TC405L	1
2	VE876S1	Control rod	1	—	GD100A	Gear, obsolete TC405	—
3	PK181	Clip (replaces XI32)	1	—	GD100B	Gear, obsolete TC405B	—
4	PF18A	Pipe plug, 1/8"	2	13	TC389A1	Gear bushing, TC405 and TC405B	1
5	XD16	Screw, 5/16"-18 thread x 7/8" ...	4	14	PH313A	Bushing washer	1
6	PE4	Lock washer, 5/6"	4	15	TC388-1	Governor shaft	1
7	SA52	Plug, 1/2"	1	16	TC395S7	Housing assembly (includes 5, 8, 18 - 23)	1
8	TC391D	Thrust sleeve and bearing, T89MS2	1	17	TC398	Cross shaft and lever	1
—	TC391B	Thrust sleeve and bearing, obsolete T89FS1 and T89MS2	1	18	PH571	Oil seal (replaces PF118 and PH318A)	1
9	TC526S1	Gear and flyweight assembly, T89MS2	1	19	TC395	Housing	1
—	TC405	Gear and flyweight assembly, obsolete T89FS2	1	20	QD615A	Housing gasket	1
				21	VB151	Yoke	1
				22	XH1	Pin, no. 0 x 3/4"	1
				23	PM173	Governor spring	1
				24	PI145	Adjusting screw, 6-3/4" long	1

T89US1 Governor Assembly



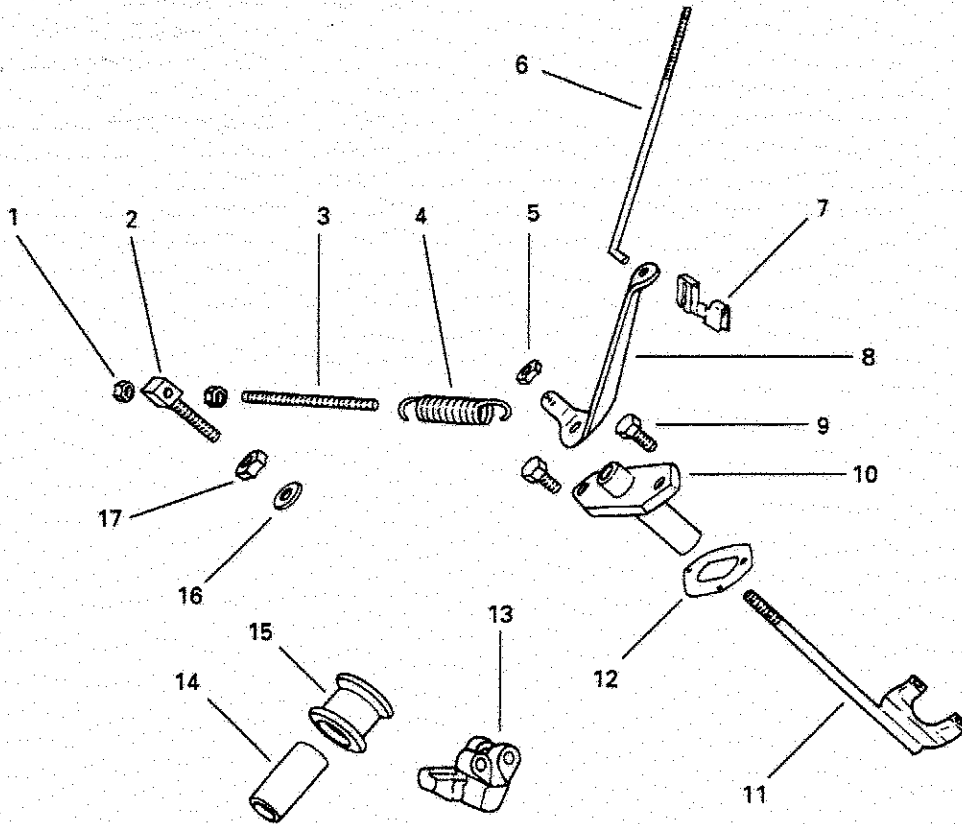
T89US1 Governor Assembly

USE WITH MODEL W4-1770 (see pg. 30)

ITEM	PART NO.	DESCRIPTION	QTY	ITEM	PART NO.	DESCRIPTION	QTY
1	PD173A	Nut	1	14	* — — —	Governor gear	
2	TC367	Pin	1	15	PH313A	Washer	1
3	PD77	Nut, 1/4"-20 thread	1	16	TC388-1	Governor shaft	1
4	VE878S1	Rod (includes clip) (replaces VE683)	1	17	TC395S1	Housing assembly (includes 6, 9, 18 - 23; includes housing)	1
5	PK181	Clip	1	18	PA367	Roll pin, 1/8" x 3/4" long	1
6	PF18	Plug, 1/8" slotted	1	19	VB151	Governor yoke	1
7	XD16	Screw, 5/16"-18 x 7/8"	4	20	QD615A	Gasket	1
8	PE4	Lock washer, 5/16"	4	21	RF269-2	Fitting	1
9	SA52	Plug, 1/2"	1	22	PH571	Oil seal	1
10	TC391D	Thrust sleeve and bearing	1	23	TC398	Cross shaft and lever	1
11	TC526S1	Flyweight assembly (includes gear, pins, washer, weights)	1	24	PM76	Governor spring	1
12	PA340	Roll pin	2	25	PI115E	Screw	1
13	TC322DS1	Governor flyweight assembly (includes thrust pin)	2				

* Not serviced separately.

T90, T90A Governor Assemblies



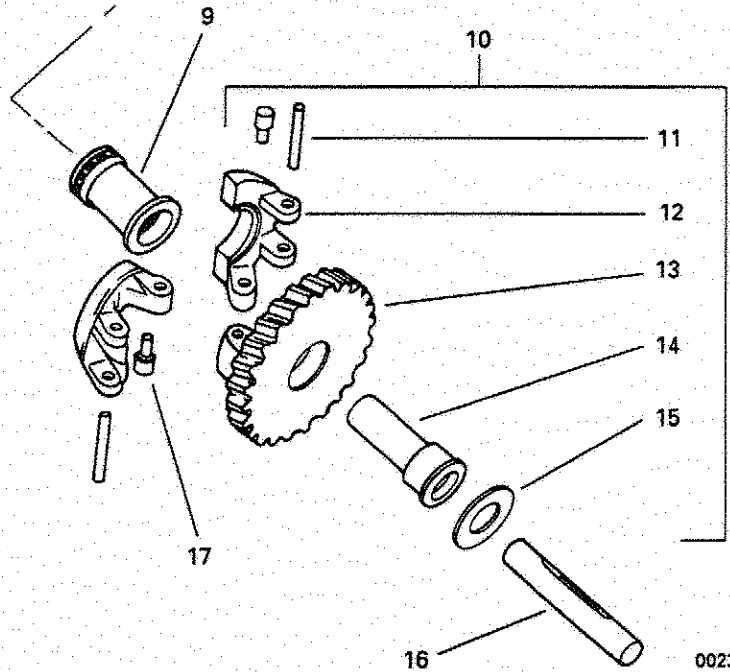
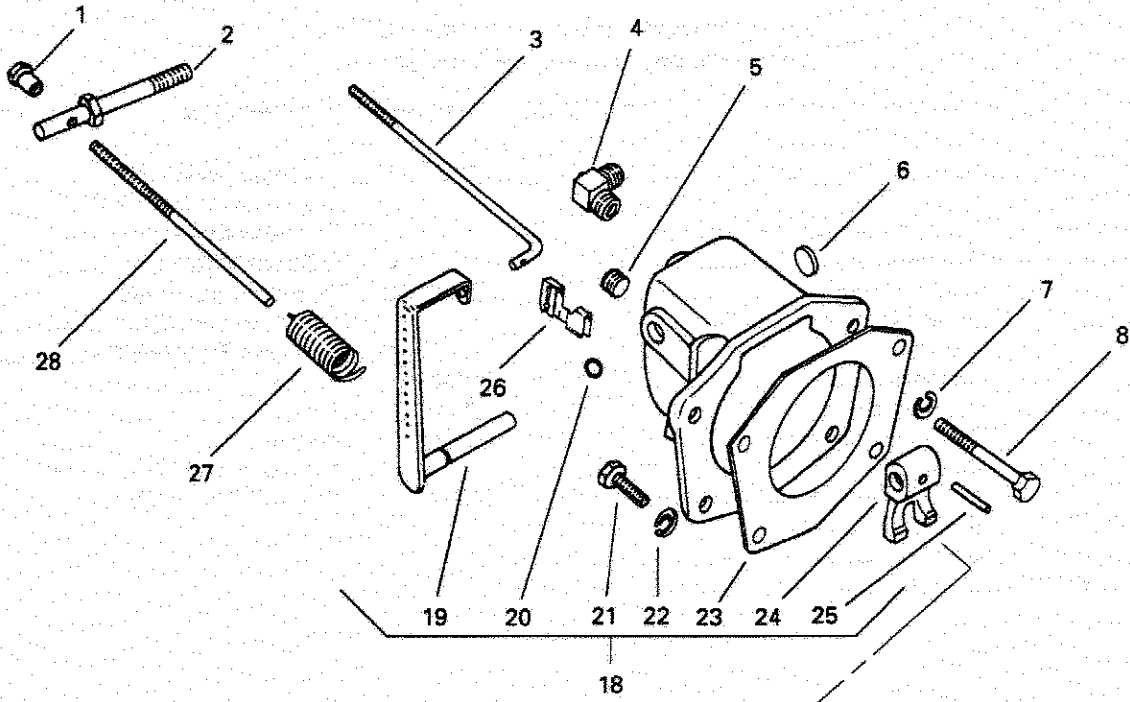
0022

T90, T90A Governor Assemblies

USE WITH MODELS ACN, BKN, AA, AB,
ABS, ABN, AK, AKS, AKN (see pg. 32)

ITEM	PART NO.	DESCRIPTION	QTY	ITEM	PART NO.	DESCRIPTION	QTY
1	PD115	Nut, no. 10-32 thread	2	13	TC322S1	Flyweight assembly, speeds up to 3310 R.P.M.	
2	TC330	Pin	1			(includes thrust pin; replaces TC3221S1)	1
3	PI121A	Screw (replaces PI121)	1				
4	PM74	Governor spring	1				
5	PD9	Nut, 1/4"-28 thread	3	—	TC322DS1	Flyweight assembly, speeds above 3310 R.P.M.	
6	VE871S1	Governor control rod (includes clip; replaces VE304)	1			(replaces TC322D3S1)	1
7	PK181	Rod end clip	1	14	TC321	Spacer	1
8	TC322	Governor control lever	1	15	TC323	Sleeve	1
9	XD6	Screw, 1/4"-20 thread x 3/4" long	2	16	PH30A	Washer, 1/4" I.D. x 7/16" O.D. x 1/16"	1
10	TC325	Bracket	1	17	PD77	Nut, 1/4"-20 thread	1
11	TC324C	Governor yoke and shaft	1				
12	QD571	Gasket	1				

T96LS1 Governor Assembly



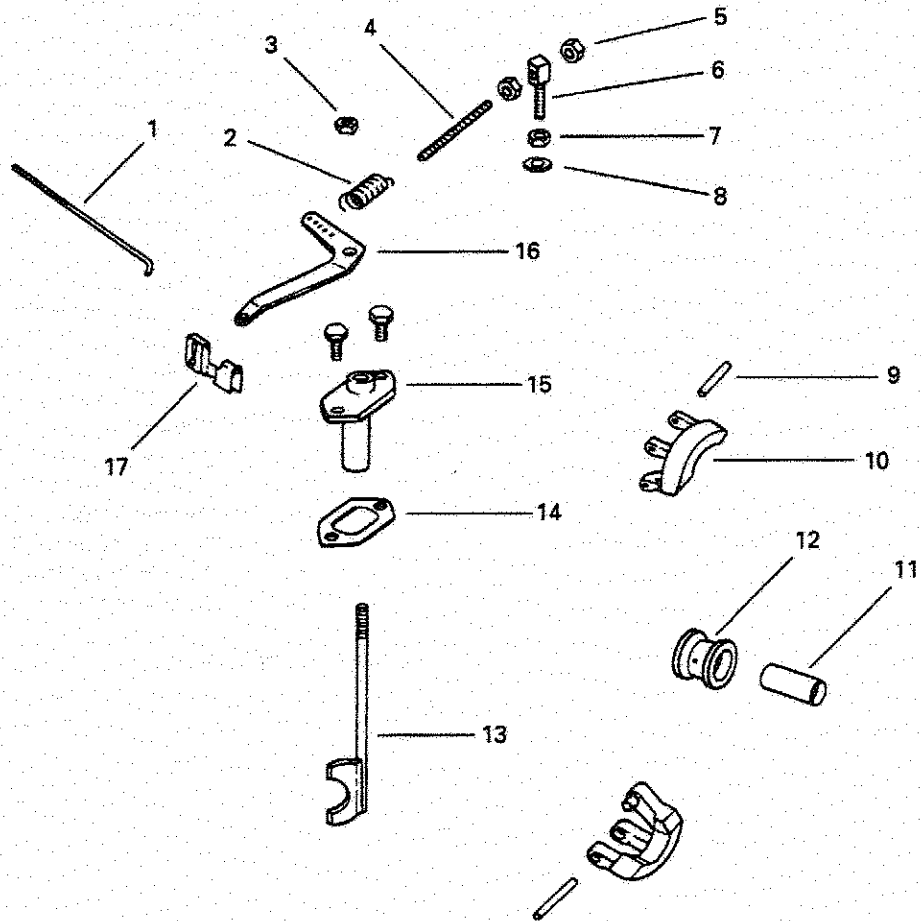
T96LS1 Governor Assembly

USE WITH MODELS TH, THD, TJD, TE, TF (see pg. 34)

ITEM	PART NO.	DESCRIPTION	QTY	ITEM	PART NO.	DESCRIPTION	QTY
1	T96LS1	Governor assembly (includes 10, 11, 19; replaces T96S1 and T96HS1)		13	TC322DS1	Governor flyweight (includes item 18)	2
2	PD173A	Nut	1	14	* — — —	Governor gear	
3	TC530	Support pin	1	15	TC389A1	Governor gear bushing, engines previous to serial no. 5394729	1
4	VE877S1	Governor rod (includes clip)	1	16	PH313A	Shim	1
5	RF270-4	Restricted elbow fitting	1	17	TC388-2	Governor shaft	1
6	PF18	Pipe plug, 1/8"	1	18	TC328D	Governor flyweight thrust pin	2
7	SA52	Plug, 1/2"	1	19	TC422BS1	Governor housing assembly (includes 5 - 7, 20, 21, 23 - 25; includes housing)	1
8	PE3	Lock washer, 1/4"	4	20	TC428C	Governor cross shaft & lever (includes item 21)	1
9	XD11	Screw, 1/4"-20 thread x 2" long	2	21	JK52	"O" ring	1
10	TC391D	Thrust sleeve and bearing, beginning with serial no. 5394729	1	22	XD6	Screw, 1/4"-20 thread x 3/4" long	2
—	TC391B	Thrust sleeve and bearing, previous to serial no. 5394729, obsolete T96, T96H		23	QD638A	Gasket	1
11	TC405N	Governor gear-flyweight assembly (includes 12, 16, 18; includes gear, flyweights)		24	VB166	Governor yoke	1
—	TC405A	TH, THD, previous to serial no. 5394729		25	PA367	Roll pin, 1/8" x 3/4" long	1
—	TC405F	TJD, previous to serial no. 5394729		26	PK178	Clip (replaces XI32)	1
12	PA340	Roll pin	2	27	PM75	Spring, up to 2600 R.P.M.	1
				—	PM76	Spring, 2600 R.P.M. and above	
				28	PI115K	Screw (replaces PI115F1)	1

* Not serviced separately.

T98, T98A Governor Assemblies



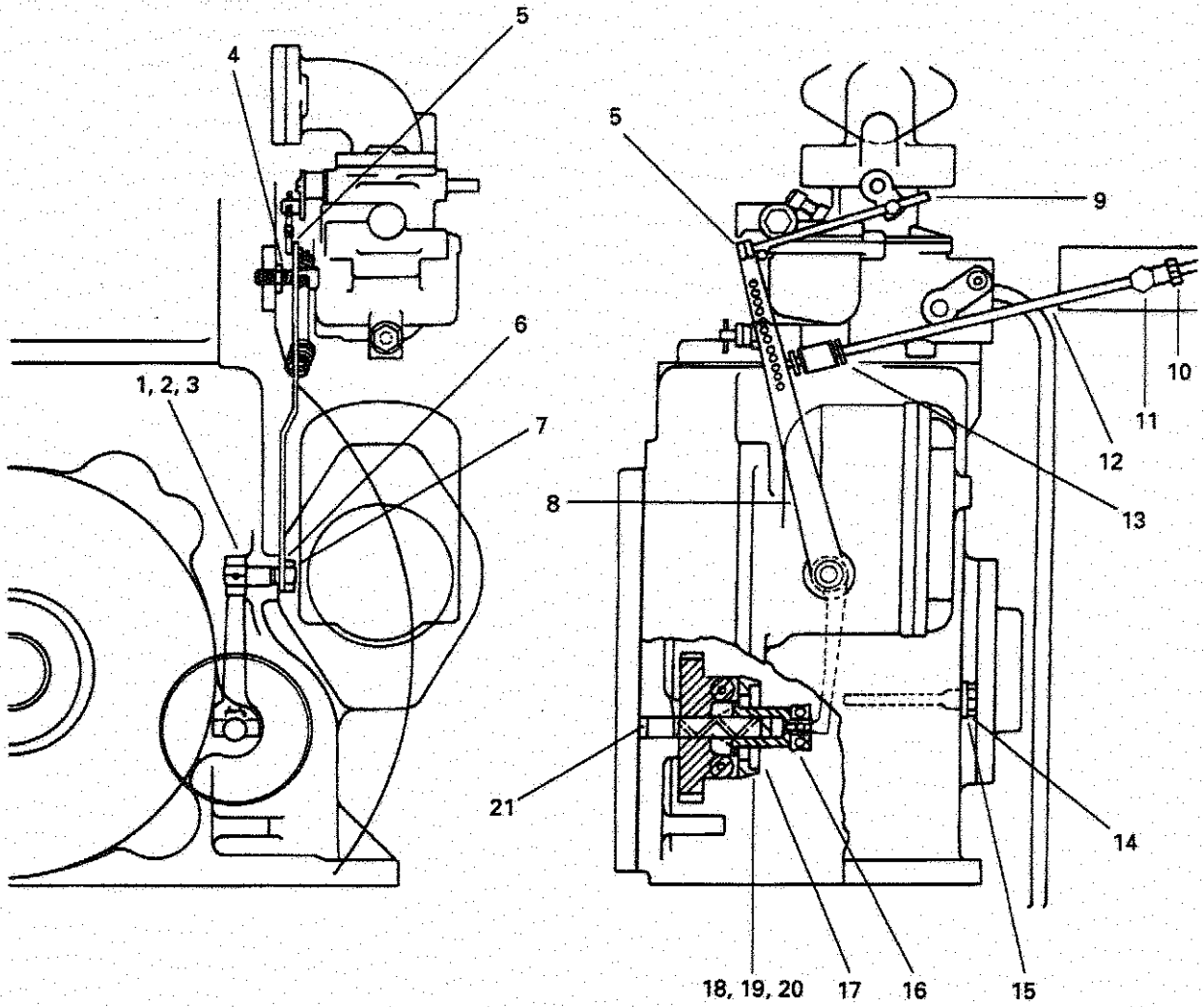
0024

T98, T98A Governor Assemblies

USE WITH MODELS AENL, T98, T98A (see pg. 36)

ITEM	PART NO.	DESCRIPTION	QTY	ITEM	PART NO.	DESCRIPTION	QTY
1	VE871S1	Rod (includes clip; replaces VE304)	1	—	TC322DS1	Flyweight assembly, speeds 2800 R.P.M. and above	
2	PM74	Governor spring	1	11	TC433	Governor spacer	1
3	PD9	Nut, 1/4"-28 thread	1	12	TC323A	Governor thrust sleeve	1
4	PI121A	Adjusting screw	1	13	TC324D	Governor yoke	1
5	PD115	Nut, no. 10-32 thread	2	14	QD571	Gasket	1
6	TC330	Pin	1	15	TC325	Bracket	1
7	PD77	Nut, 1/4"-20 thread	1	16	TC432	Governor lever	1
8	PH30A	Washer, 1/4" I.D. x 7/16" O.D. x 1/16"	1	17	PK178	Rod end clip	1
9	PA340	Roll pin	2				
10	TC322S1	Governor flyweight assembly, speeds below 2800 R.P.M., (includes thrust pin)	2				

T100 Governor Assembly



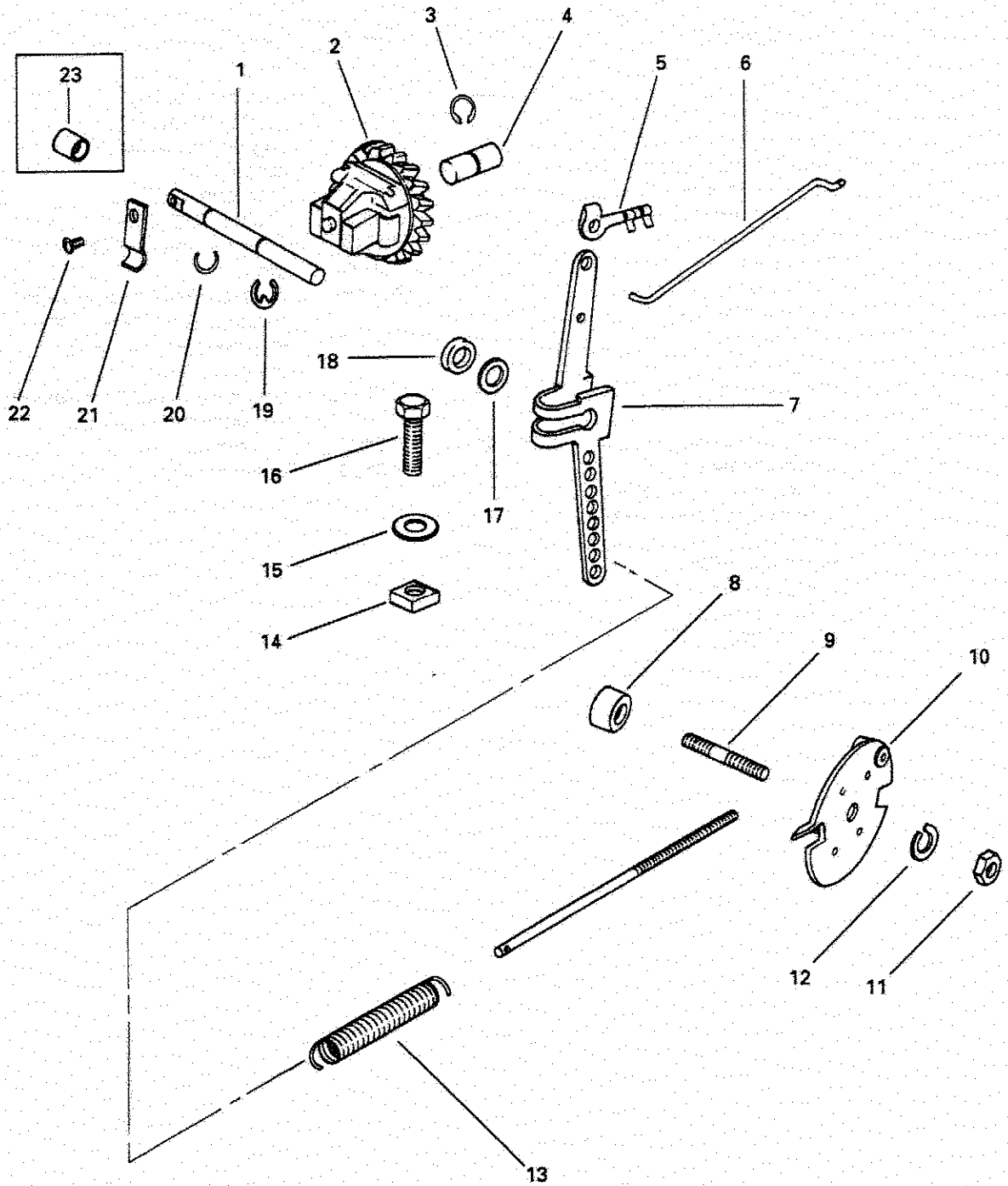
0025

T100 Governor Assembly

USE WITH MODEL AGND (see pg. 38)

ITEM	PART NO.	DESCRIPTION	QTY	ITEM	PART NO.	DESCRIPTION	QTY
1	JK50	"O" ring	1	—	PM76	Governor spring, 1-7/8" x 17/32" O.D., engine speeds above 3000 R.P.M.	
2	VB198A	Governor yoke and fulcrum pin assembly (includes 1, 3; includes fulcrum pin, yoke)	1				
3	PA367	Roll pin, 1/8 x 3/4" long (replaces XH1)	1	14	PI185	Stop screw	1
4	PD77-1	Nut, 1/4"-20 thread	1	15	PH22A	Washer, 3/8" x 3/32"	1
5	PK181	Clip	1	16	TC391D	Thrust sleeve and bearing	1
6	PE52	Lock washer, 5/16"	1	17	PH313A	Shim	1
7	PD141	Nut, 5/16"-24 thread	1	18	GD124B	Governor gear and flyweight assembly (includes 17, 20; includes gear, flyweights, pins)	1
8	TC453	Governor lever	1				
9	VE878S1	Control rod	1	19	TC322ES1	Governor flyweight assembly (includes thrust pin)	1
10	PD173A	Adjusting nut	1				
11	TC454	Pin	1	20	PA340	Roll pin	2
12	PI145J	Adjusting screw	1	21	TC388-2	Governor shaft	1
13	PM74	Governor spring, 1-1/32" x 1/2" O.D., engine speeds up to and including 2400 R.P.M.	1				
—	PM75	Governor spring, 1-3/8" x 9/16" O.D., engine speeds 2450 to 3000 R.P.M.					

T105B, T108 Governor Assemblies



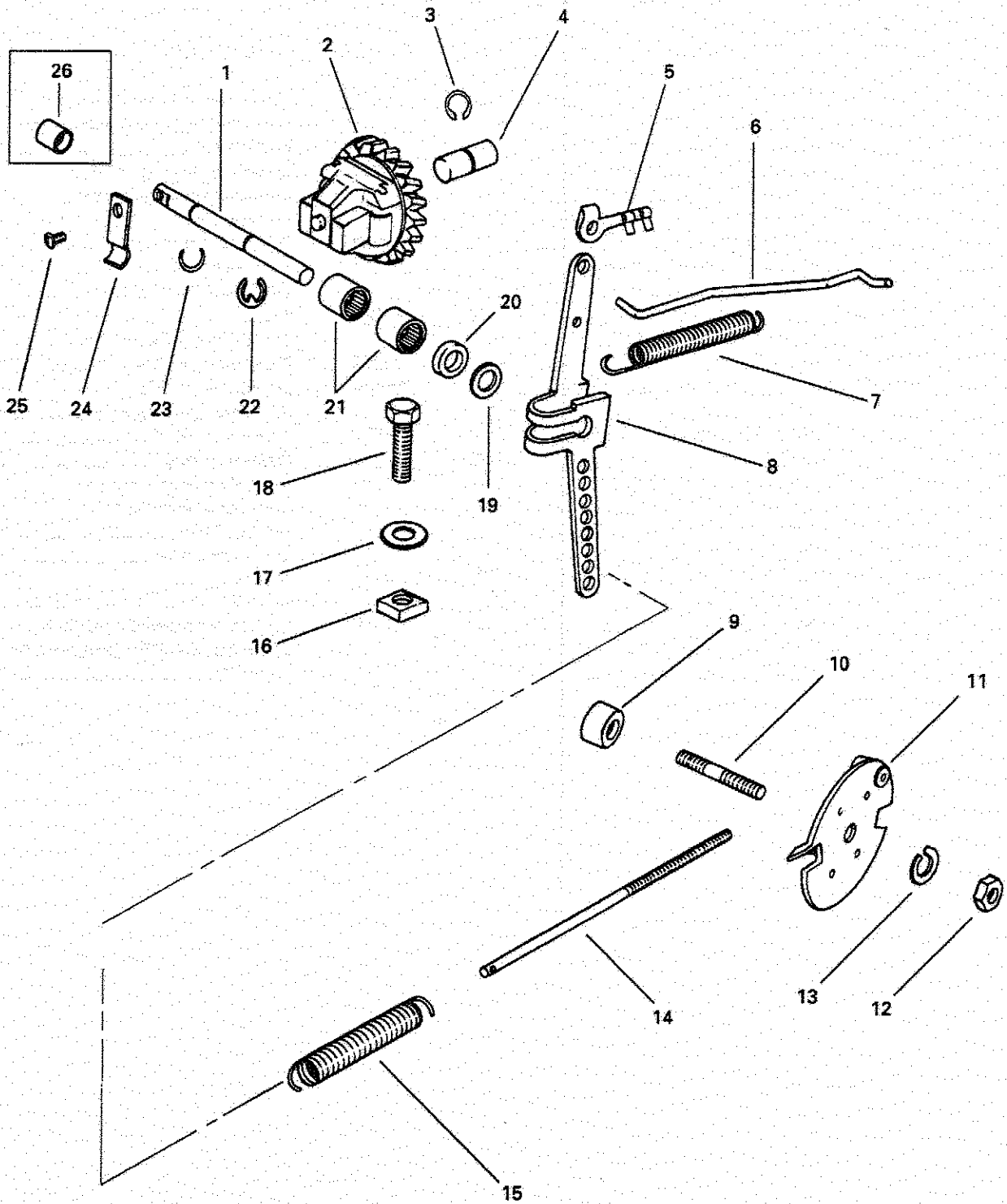
0026

T105B, T108 Governor Assemblies

USE WITH MODELS S7D, S8D (see pg. 40)

ITEM	PART NO.	DESCRIPTION	QTY	ITEM	PART NO.	DESCRIPTION	QTY
1	PA395B	Fulcrum shaft (replaces PA395)	1	13	PM200A	Governor spring, 47 coils, engines beginning with serial no. 3909152	1
2	GD146AS1	Governor gear and flyweight, engines to and including serial no. 3909151, (includes 1, 12, 20; includes gear and flyweights, adjusting screw	1	—	PM200	Governor spring, 55 coils, engines previous to serial no. 3909152	1
3	PK167	Snap ring, beginning with engine serial no. 3909152	1	14	PD239	Nut, 1/4"-20 thread	1
4	PA396A	Shaft (replaces PA396)	1	15	PH27A	Plain washer, 1/4" I.D. x 9/16" O.D.	1
5	PK178	Clip (replaces PK160)	1	16	XA36	Screw, 1/4"-20 thread x 3/4" long	1
6	VE783B	Rod, S7D	1	17	PH30A	Plain washer, 1/4"	1
—	VE783C	Rod with Zenith carburetor, S8D	1	18	PH568	Oil seal, 1/2" O.D. (includes gear cover)	1
—	VE844	Rod with Walbro carburetor, S8D	1	—	PH556	Oil seal, 7/16" O.D.	1
7	VB234AS1	Governor lever assembly (includes 14 - 16)	1	19	PK144	Retaining ring	2
8	HF52	Spacer	1	20	PK135	Retaining ring, engines beginning with serial no. 3909152	1
9	PC377	Stud	1	21	PG1019A	Governor vane	1
10	VC43A	Disc assembly (includes washer and swivel block)	1	22	XA66	Screw, no. 5-40 thread x 1/4" long	1
11	PD9	Nut, 1/4"-28 thread	1	23	HF426	Spacer, engines previous to serial no. 3909152 (replaced by 1 and 20)	1
12	PE3	Lock washer, 1/4"	1				

T112 Governor Assembly



0027

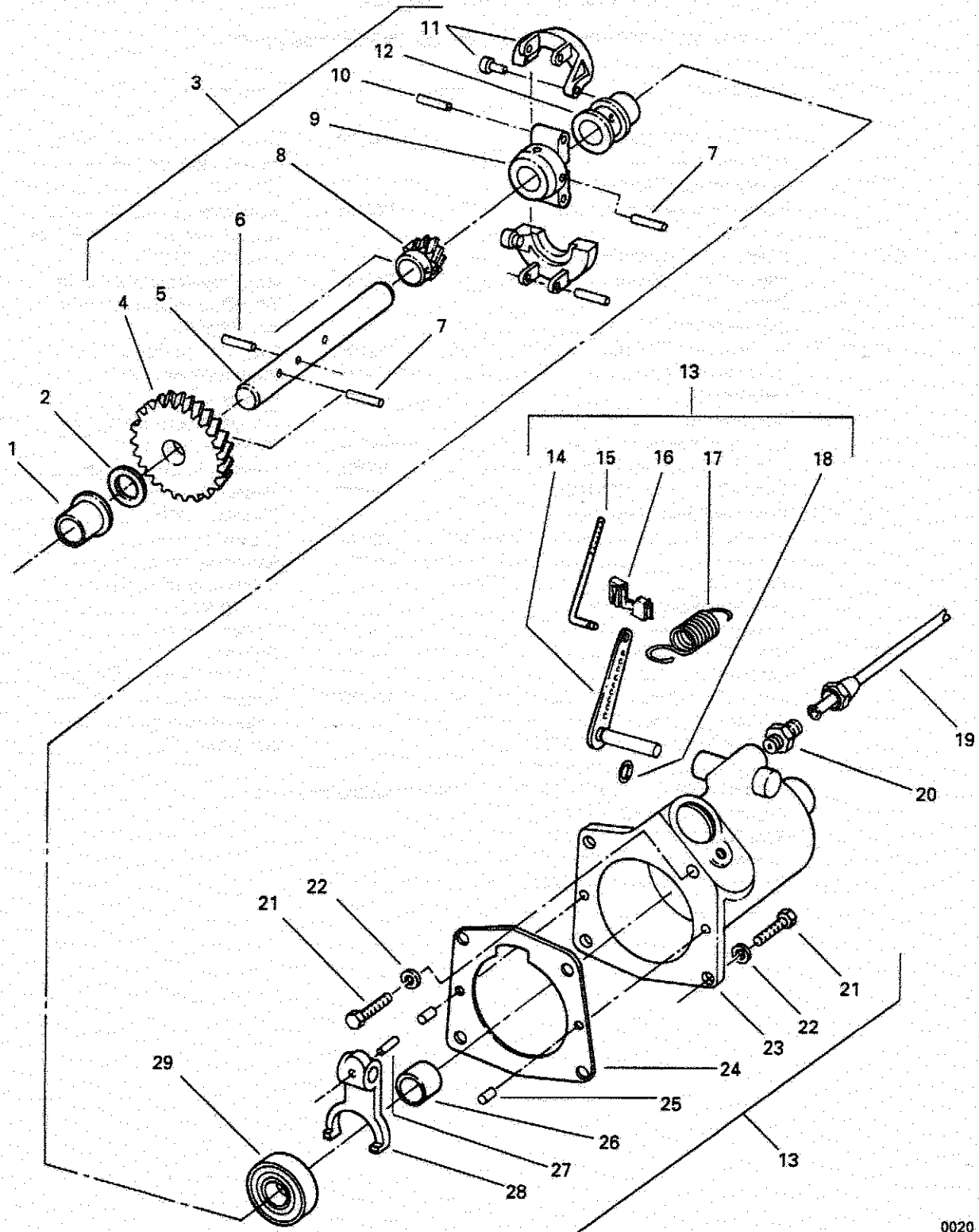
T112 Governor Assembly

USE WITH MODELS TRA10D, TR10D, TRA12D (see pg. 42)

ITEM	PART NO.	DESCRIPTION	QTY	ITEM	PART NO.	DESCRIPTION	QTY
1	PA395C	Fulcrum shaft, .250 dia.	1	15	PM200A	Governor spring, 47 coils, speeds 3000 to 3600 R.P.M., TRA10D	1
—	PA395B	Fulcrum shaft, .246 dia.	1	—	PM166	Governor spring, 88 coils, to and including 2900 R.P.M., TRA10D, TR10D	1
2	GD146A	Governor gear and flyweight assembly (replaces GD137F)	1	—	PM142	Governor spring, 54 coils, TR10D, previous to serial no. 3909152	1
3	PK167	Snap ring, beginning with engine no. 3909152	1	16	PD239	Nut, 1/4"-20 thread	1
4	PA396A	Shaft	1	17	PH27A	Plain washer, 1/4"	1
5	PK178	Clip (replaces PK177)	1	18	XA36	Screw, 1/4"-20 thread x 3/4" long	1
6	VE789CS1	Throttle rod, TRA10D, TR10D, TRA12D with Zenith carburetor	1	19	PH30A	Plain washer, 1/4"	1
—	VE844AS1	Throttle rod, TRA12D with Walbro carburetor	1	20	PH568	Oil seal, fulcrum shaft	1
7	PM61A	Idle return spring, 90 coils, TRA10D, TR10D, TRA12D	1	21	ME152	Needle bearing, TRA10D, TR10D	2
8	VB234AS1	Governor lever assembly (includes 17 - 19)	1	22	PK144	Retaining ring	1
9	HF52	Spacer	1	23	PK135	Retaining ring, engines beginning with serial no. 3909152	1
10	PC377	Stud	1	24	PG1019A	Governor vane	1
11	VC43A	Disc assembly (includes washer and swivel block)	1	25	XA66	Screw, no. 5-40 thread x 1/4" long	1
12	PD9	Nut, 1/4"-28 thread	1	26	HF426	Spacer, obsolete, TR10D engines previous to serial no. 3909152	1
13	PE3	Lock washer, 1/4"	1				
14	* — — —	Adjusting screw	1				
—	PI217-1	Adjusting screw, 5" long, 3000 to 3600 R.P.M. (TRA10D)	1				
—	PI217-4	Adjusting screw, 5-1/4" long, 3000 to 3600 R.P.M. (TRA12D)	1				
—	PI217-5	Adjusting screw, 3-5/8" long, thru 2900 R.P.M. (TRA10D)	1				
—	PI217-3	Adjusting screw, 5-5/8" long, thru 2900 R.P.M. (TRA12D)	1				

* Not serviced separately.

T113 Governor Assembly



0020

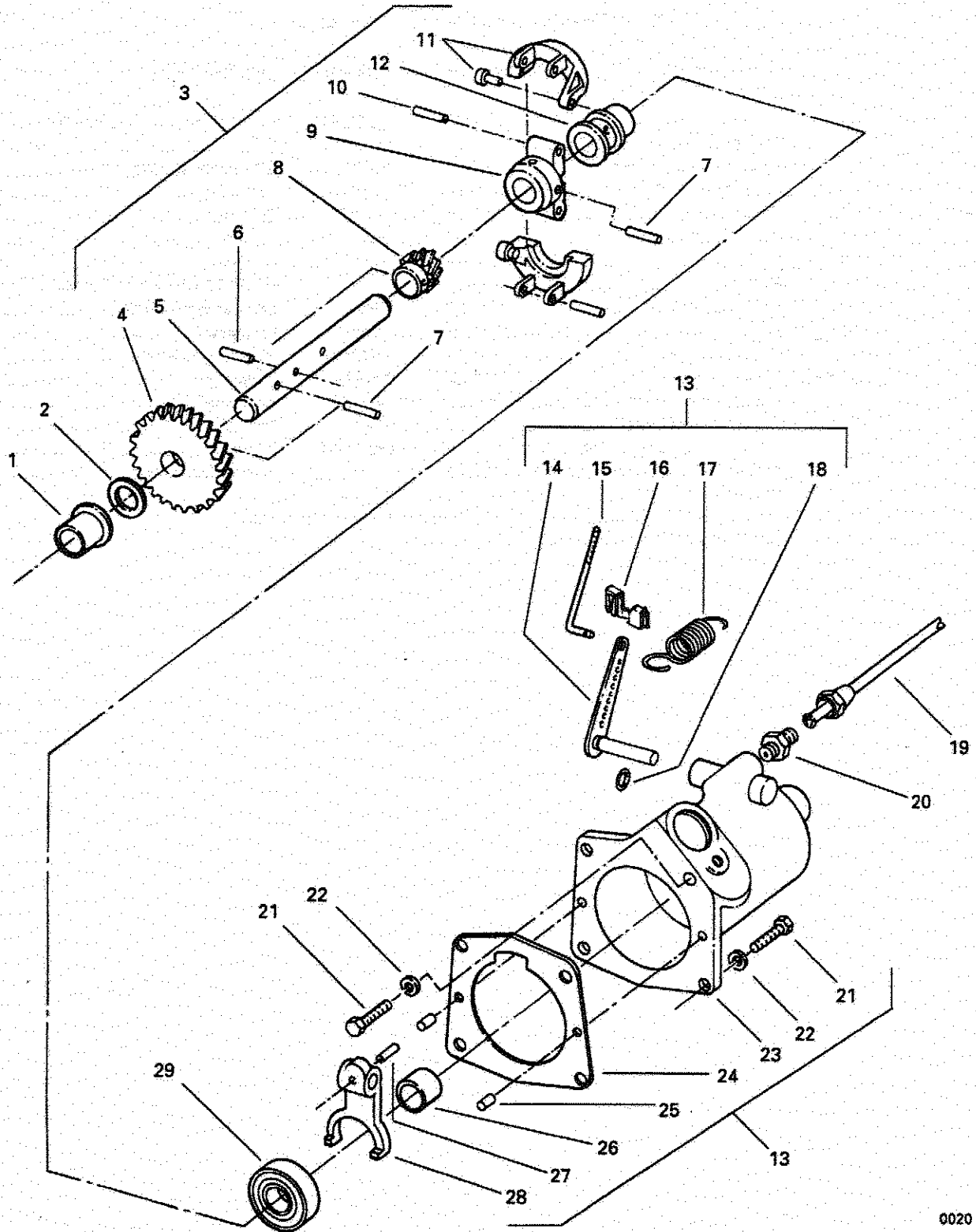
T113 Governor Assembly

USE WITH MODELS VH4D, VH4 (see pg. 44)

ITEM	PART NO.	DESCRIPTION	QTY	ITEM	PART NO.	DESCRIPTION	QTY
1	HG271	Bushing.....	1	15	VE879S1	Control rod (includes clip).....	1
2	PH313B	Thrust washer	1	16	PK178	Clip	1
3	TA133	Drive shaft assembly (includes 2 - 10, 27)	1	17	PM76	Governor spring	1
4	GD143	Drive gear	1	18	JK52	"O" ring	1
5	TA134	Drive shaft	1	19	RM476	Oil line	1
6	PA367	Roll pin.....	1	20	RF269-2	Fitting	1
7	PA359	Roll pin.....	2	21	XD17	Screw, 5/16"-18 thread x 1" long	4
8	GF90	Distributor gear	1	22	PE4	Lock washer, 5/16"	4
9	TC346B1	Hub	1	23	TC507	Housing	1
10	PA340	Roll pin.....	2	24	QD615A	Housing gasket	2
11	TC322DS1	Flyweight (includes thrust pin)	2	25	PA473	Dowel pin	2
12	TC348ES1	Thrust sleeve and ME100B bearing assembly	1	26	HG268	Bushing.....	1
13	TC507S1	Governor housing assembly (includes 12 - 14, 16, 18, 21 - 26)	1	27	PA367	Roll pin.....	1
14	TC506	Cross shaft and lever.....	1	28	VB98A6	Yoke	1
				29	* — — —	Thrust bearing	1

* Not serviced separately.

T113A Governor Assembly



0020

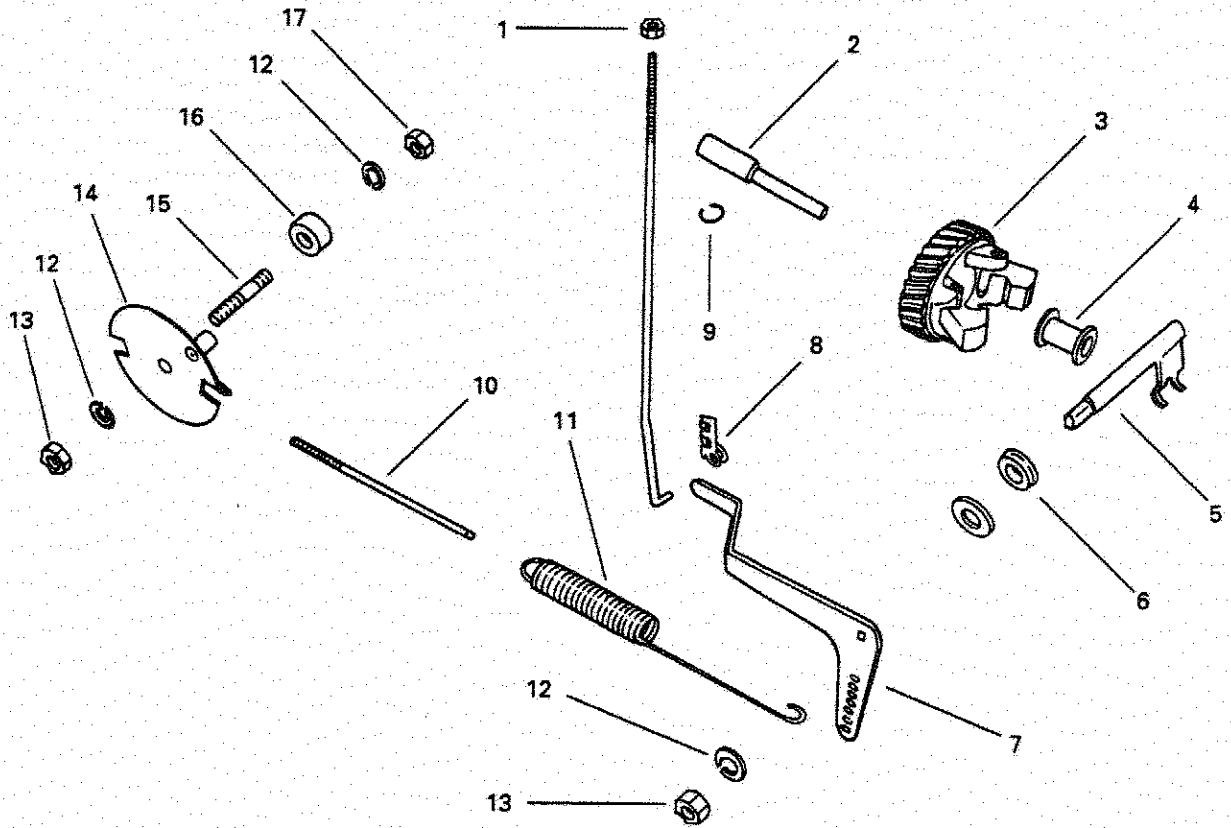
T113A Governor Assembly

USE WITH MODEL W4-1770 (see pg. 46)

ITEM	PART NO.	DESCRIPTION	QTY	ITEM	PART NO.	DESCRIPTION	QTY
1	HG271	Bushing	1	15	VE870S1	Control rod (includes clip).....	1
2	PH313B	Washer	1	16	PK178	Clip	1
3	TA133A	Drive shaft (includes 2 - 10, 27)	1	17	PM76	Governor spring	1
4	GD143A	Drive gear	1	18	JK52	"O" ring	1
5	TA134	Drive shaft	1	19	RM476	Oil line	1
6	PA367	Roll pin	1	20	RF269-2	Fitting	1
7	PA359	Roll pin	2	21	XD17	Screw, 5/16"-18 thread x 1" long	4
8	GF90	Distributor gear	1	22	PE4	Lock washer, 5/16"	4
9	TC346B1	Hub	1	23	TC507	Housing	1
10	PA340	Roll pin	2	24	QD615A	Housing gasket	2
11	TC322DS1	Flyweight (includes thrust pin)	2	25	PA473	Dowel pin	2
12	TC348ES1	Thrust sleeve and ME100B bearing assembly	1	26	HG268	Bushing	1
13	TC507S1	Governor housing assembly (includes 12 - 14, 16, 18, 21 - 26)	1	27	PA367	Roll pin	1
14	TC506	Cross shaft and lever	1	28	VB98A6	Yoke	1
				29	* ———	Thrust bearing	1

* Not serviced separately.

T122 Governor Assembly



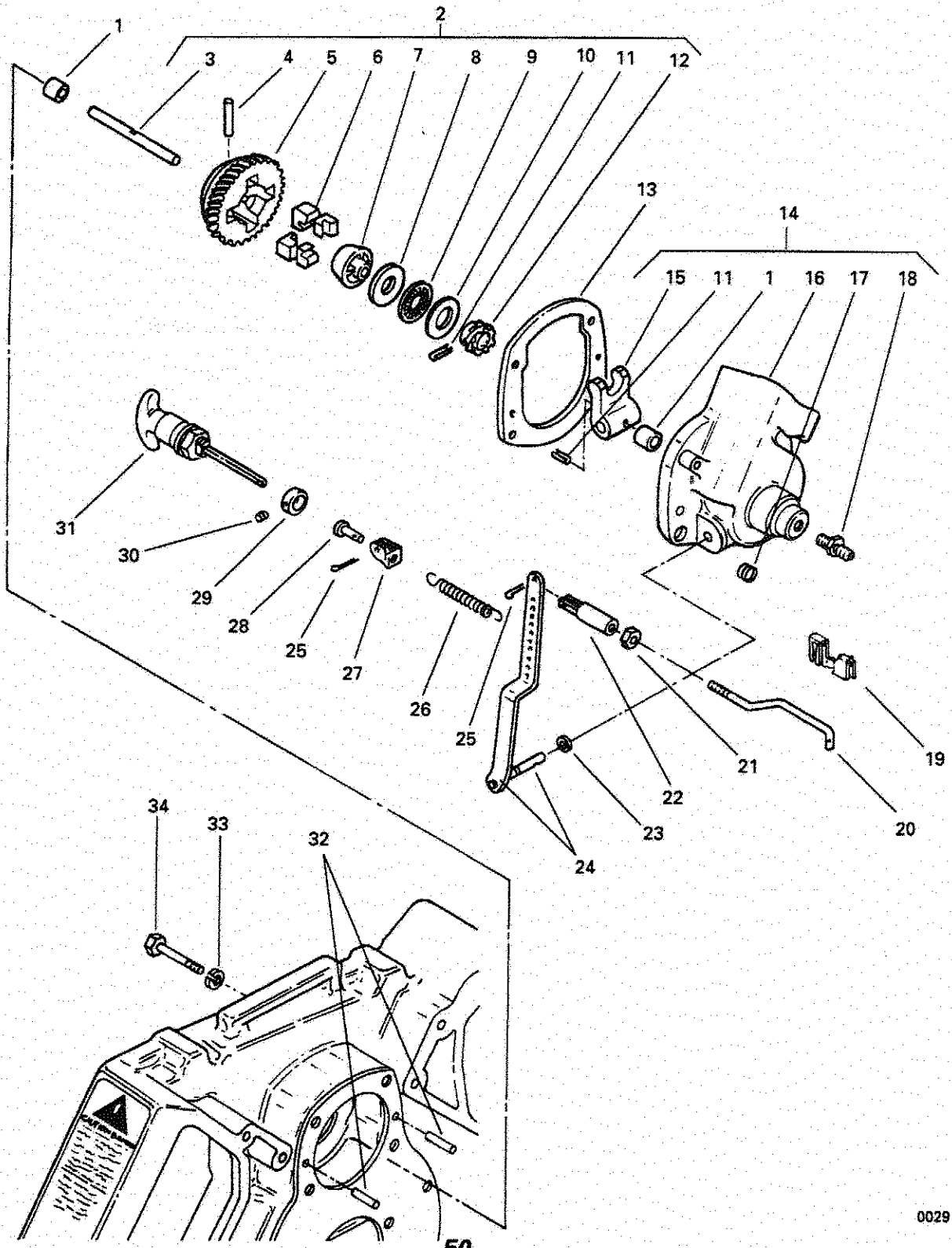
0028

T122 Governor Assembly

USE WITH MODELS S10D, S12D, S14D (see pg. 48)

ITEM	PART NO.	DESCRIPTION	QTY	ITEM	PART NO.	DESCRIPTION	QTY
1	PD155	Nut, no. 5-40 thread	1	10	PI219	Adjusting screw, 3-5/8" long, 2600 to 3600 R.P.M.	1
2	TC487A	Governor shaft	1				
3	GD139BS1	Governor gear and flyweight assembly (includes item 9; includes gear, flyweight pins, flyweights	1	—	PI219A	Adjusting screw, 4-1/4" long, to and including 2500 R.P.M.	1
4	TC490	Governor thrust sleeve	1	11	PM213	Governor spring	1
5	TC491A	Cross shaft and yoke assembly	1	12	PE3	Lock washer, 1/4"	3
6	PH571	Oil seal	1	13	PD9	Nut, 1/4"-28 thread	2
7	TC486	Governor lever	1	14	VC43A	Disc assembly	1
8	PK178	Clip (replaces PK160, PK177) ...	1	15	PC377	Stud	1
9	PK118	Snap ring	1	16	HF52	Spacer	1
				17	PD771	Nut, 1/4"-20 thread	1

T128B, T128C Governor Assemblies

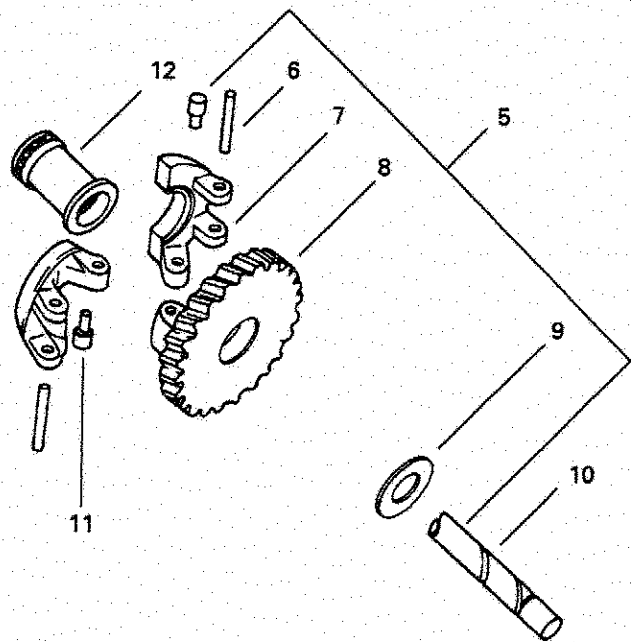
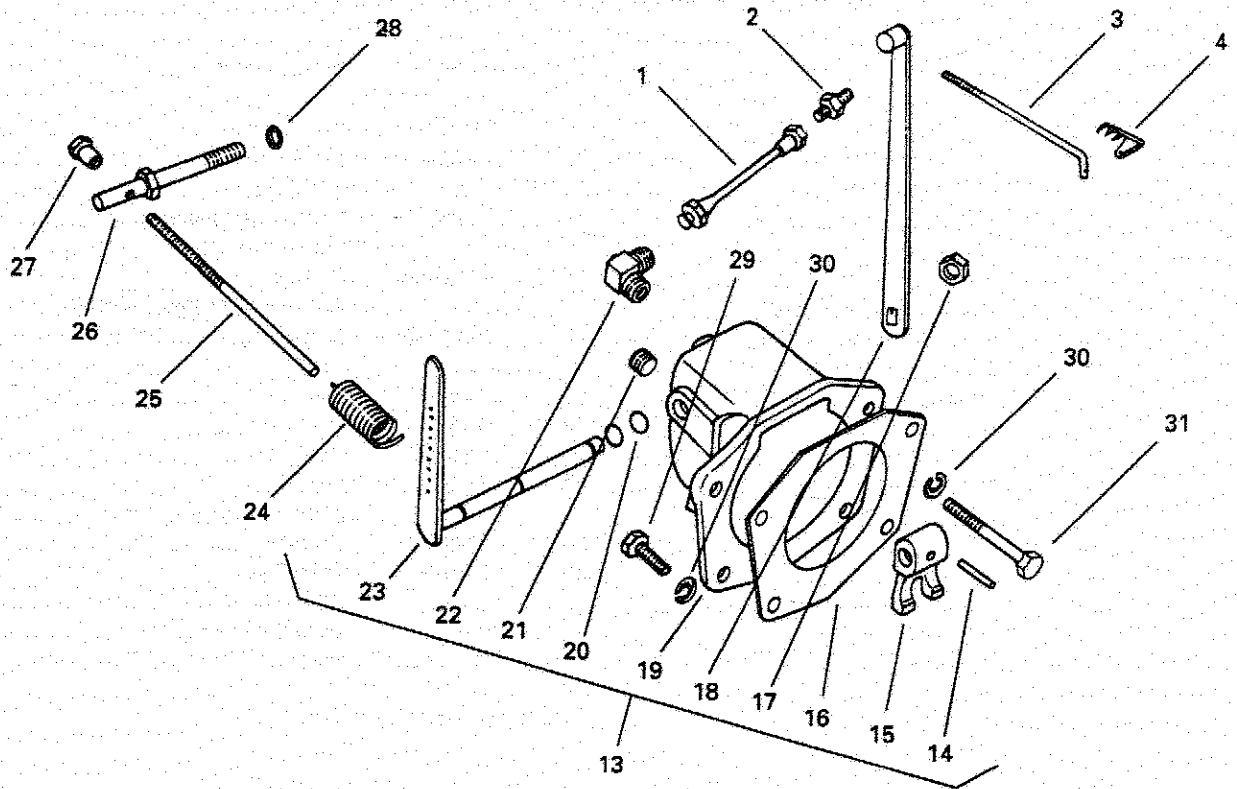


T128B, T128C Governor Assemblies

USE WITH MODELS W2-1230, W2-1235, W2-1250 (see pg. 50)

ITEM	PART NO.	DESCRIPTION	QTY	ITEM	PART NO.	DESCRIPTION	QTY
1	HG182	Bushing	2	21	PD155	Nut, #5-40	1
2	TC519B	Gearflyweight assembly (replaces TC519A)	1	22	VB264	Connector	1
3	TC514	Shaft	1	23	JK52	"O" ring	1
4	PA359	Roll pin, 1/8" x 1-1/4" long	1	24	TC518	Shaft/lever assembly	1
5	GD149	Gear, governor drive	1	25	XI7	Cotter pin, 3/32" x 3/4" long	2
6	TC515	Flyweight, std., T128B	4	26	PM235A	Spring, 3/8" dia. x 3" long, 53 coils	1
—	TC515A	Flyweight, heavy, T128C	—	—	PM235B	Spring, 3/8" x 2-1/2", 57 coils, T128C	—
7	TC513	Sleeve	1	27	PK180	Link	1
8	PH612	Bearing race	1	28	XJ66	Pin	1
9	ME227	Thrust bearing	1	29	VE542B	Collar	1
10	PH611	Bearing race, 3/32" thick	1	30	XE65	Screw, #10-32 thread x 1/4" long	1
11	PA367	Roll pin, 1/8" x 3/4" long	2	31	VE527W	Control	1
12	GF100	Gear	1	32	PA473	Dowel pin, 3/16" dia. x 3/4" long	2
13	QD866	Gasket	1	33	PE4	Lock washer, 5/16"	4
14	T129	Housing/cross shaft assembly (includes 10, 14 - 18, 23, 24)	1	34	XD140	Screw, 5/16"-18 x 2-1/4" long ...	4
16	* ———	Governor	1	* Not serviced separately.			
17	* ———	Insert	1				
18	RF269-2	Fitting	1				
19	PK178	Clip	1				
20	VE883S1	Rod (replaces VE857)	1				

T130S1 Governor Assembly



0030

T130S1 Governor Assembly

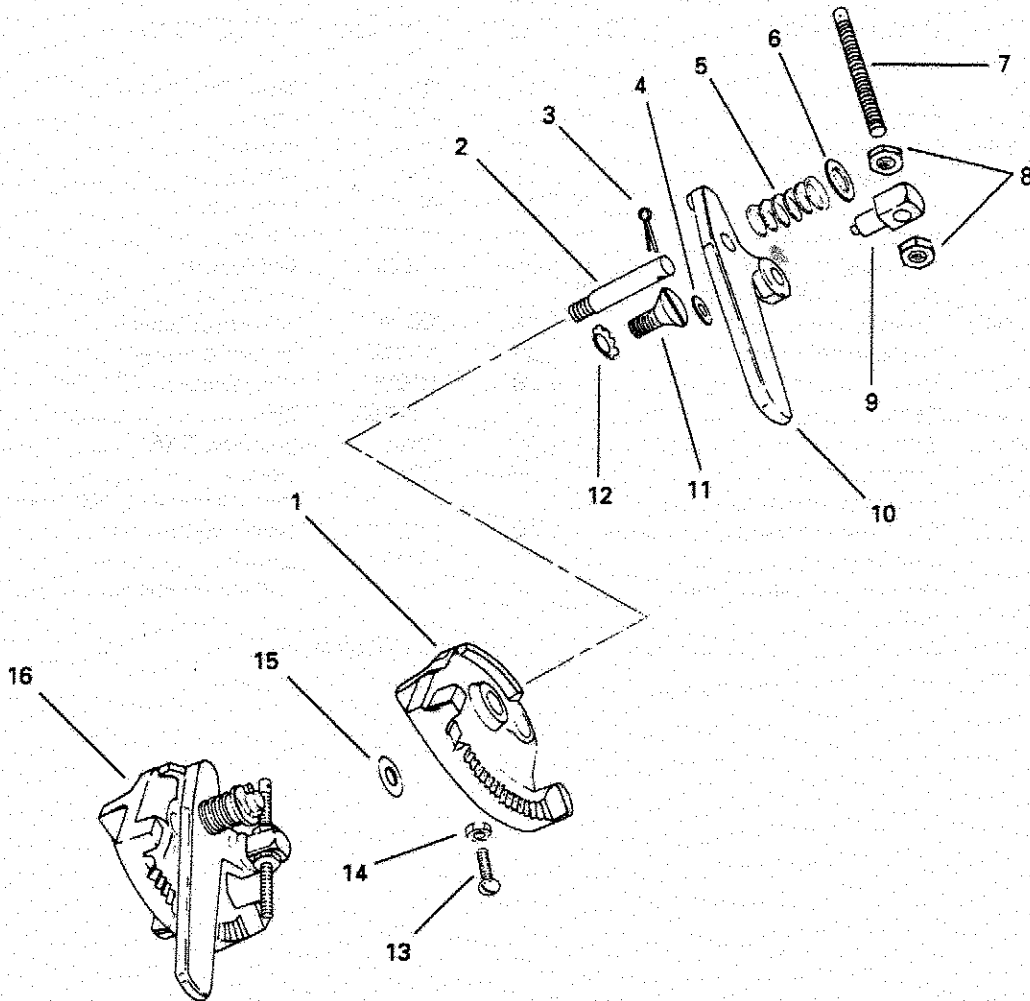
USE WITH MODEL W2-880 (see pg. 52)

ITEM	PART NO.	DESCRIPTION	QTY	ITEM	PART NO.	DESCRIPTION	QTY
1	RM849	Oil line	1	17	PD10	Nut, 5/16"-24 thread	1
2	RF269	Fitting	1	18	TC521A	Lever	1
3	VE871S1	Rod (includes clip; replaces VE304)	1	19	* — — —	Housing	1
4	PK178	Clip	1	20	JK52	"O" ring	2
5	TC405N	Gear/flyweight (includes 6 - 9, 11)	1	21	PF18	Plug, 1/8"	1
6	PA340	Roll pin, 3/16" x 1-1/8"	2	22	RF2704	Elbow	1
7	TC322DS1	Flyweight assembly (includes 6, 9, 11)	2	23	TC522	Shaft/lever (includes item 19)	1
8	* — — —	Gear	1	24	PM75	Governor spring	1
9	PH313A	Shim	1	25	PH115K	Screw, 5" long	1
10	TC388-2	Shaft	1	26	TC530	Pin (replaces TC427B)	1
11	TC328D	Thrust pin	2	27	PD173A	Nut	1
12	TC391D	Sleeve/bearing	1	28	PH14	Washer, 5/16"	1
13	TC422BS7	Governor housing assembly (includes 13 - 22)	1	29	XD6	Screw, 1/4"-20 thread x 3/4" long	2
14	PA367	Roll pin, 1/8" x 3/4" long	1	30	PE3	Lock washer, 1/4"	4
15	VB166	Yoke	1	31	XD11	Screw, 1/4"-20 thread x 2" long	2
16	QD638A	Gasket	1				

* Not serviced separately.

VE363A Variable Speed Governor Control

USE WITH MODELS ACN, BKN, AK, AKS, AKN



0031

ITEM	PART NO.	DESCRIPTION	QTY	ITEM	PART NO.	DESCRIPTION	QTY
1	VC22C	Control bracket.....	1	10	VB112	Control lever.....	1
2	PC393-2	Pin.....	1	11	XC14	Screw, 1/4"-20 thread x 5/8" long.....	1
3	XI1	Cotter pin, 1/16" dia. x 1/2" long.....	1	12	PE55A	Washer, 1/4" (replaces PE55) ...	1
4	PH253	Washer, 5/32" I.D. x 3/8" O.D. x 1/32".....	1	13	XA6	Screw, no. 8-32 thread x 5/8" long.....	1
5	PM117	Spring.....	1	14	PD153	Nut, no. 8-32 thread.....	1
6	PH84	Washer, 1/4" I.D. x 1/2" O.D. x 1/16".....	1	15	QD695	Washer, 1/4" I.D. x 1/2" O.D. x 1/16".....	1
7	PI121	Screw (replaces PI121).....	1	16	VE363A	Control assembly complete.....	1
8	PD115	Nut, no. 10-32 thread.....	2				
9	TC301-3	Block.....	1				