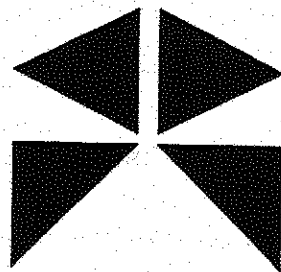


**CONTINENTAL
MODEL TM27**

**ILLUSTRATED
PARTS
CATALOG**



 **WIS-CON
TOTAL POWER CORP.**

SERVICE FACILITIES

WIS-CON TOTAL POWER Distributors and Service Centers, located throughout the U.S. and foreign countries, have been carefully selected to insure complete and efficient repair and inspection service to owners of WIS-CON TOTAL POWER Engines. These service centers, equipped and staffed for complete engine repair, also stock engine parts to facilitate immediate delivery for the complete line of WIS-CON TOTAL POWER Engines.

Order parts from the WIS-CON TOTAL POWER Distributor or Service Center in your locality. Refer to the Yellow Pages of the Telephone Directory under ENGINES, or write to WIS-CON TOTAL POWER for a free copy of a list of authorized Distributors and Service Centers. Do not order parts from WIS-CON TOTAL POWER in Memphis, TN.

The MODEL, SPECIFICATION and SERIAL NUMBER of your engine must be given when ordering parts. The MODEL and SPECIFICATION number are on the name plate. The SERIAL NUMBER is stamped either on the crankcase or the engine's identification tag.

Copy the MODEL, SPECIFICATION and SERIAL NUMBER in the spaces provided below so that it will be available when ordering parts.

MODEL

SPECIFICATION

SERIAL NUMBER

To insure prompt and accurate service, the following information must also be given:

1. State EXACTLY the quantity of each part and part number.
2. State definitely whether parts are to be shipped by express, freight or parcel post.
3. State exact mailing address.

INTRODUCTION

This catalog is designed to identify Continental & Wis-Con parts.

When ordering parts, it is always advisable to list the engine model, specification number and serial number. With this information, we can check your order for any incorrect part numbers.

Use your "Customer Specification" to insure proper part number and nomenclature identification.

WIS-CON TOTAL POWER reserves the right to modify, alter and improve engines and parts. Part numbers and the structure of parts may change from those shown in this catalog.

Table of Contents

Engine Service Kits, Engine Service Information	2
Crankcase, Bearing Caps and Oil Filter	3-4
Cylinder Head, Cover and Valves	5-6
Camshaft, Rocker Arm and Governor	7-8
Crankshaft and Pulley	9-10
Piston and Connecting Rods	11-12
Oil Pump	13-14
Gear Cover	15-16
Flywheel, Housing and Starter	17-18
Intake and Exhaust	19-20
Water Pump Assembly	21-22
Water Header and Thermostat.....	23-24
Distributor, Coil and Fuel Pump	25-26
Carburetor, Control Rod and Governor related items	27-28
Alternator and PCV System	29-30
<u>Accessories Section :</u>	
Distributor	33-34
Starter	35-36
Alternator (MCI)	37
Engine Service Kits Components	38

ENGINE SERVICE KITS

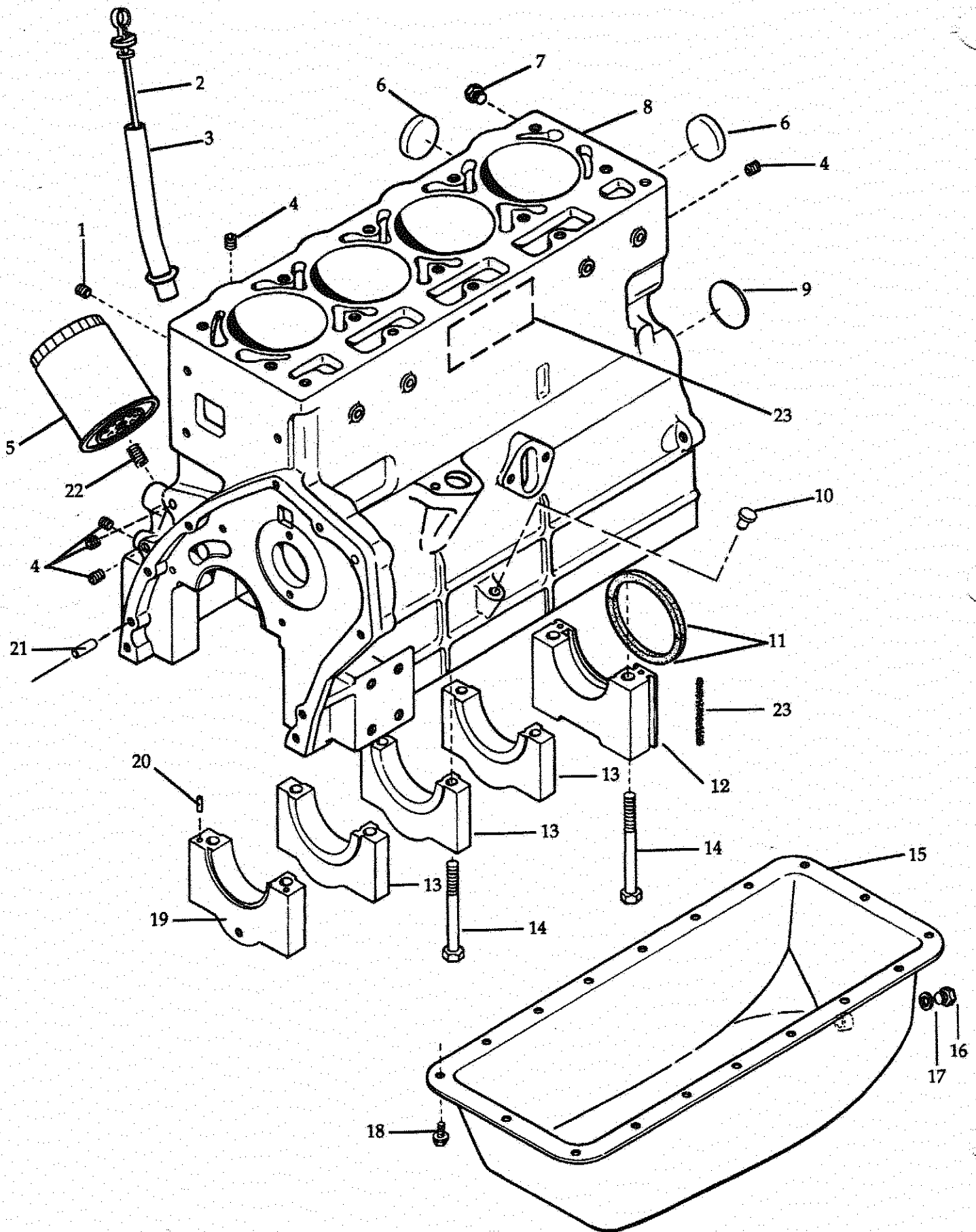
KIT NUMBER	DESCRIPTION
TMD27U01006 ^a	Gasket Set, Top End
TM20T00102	Bearing Set, Connecting Rod (single rod)
TM27A05001E	Piston, Pin & Retaining Rings
TM27T00102	Bearing Kit, Crankshaft (engine set)
TM27T00107 ^a	Kit, Oil Pan Gasket & Rear Bearing Sealing
TM27T00120	Ring Set (single piston)
TM27T01001 ^a	Water Pump Repair Kit
TM27U02003 ^a	Gasket Set, Front End
NOT AVAILABLE	Cam Bushing

NOTE: ^a See Page #38 for Components.

ENGINE SERVICE INFORMATION

PART NUMBER	DESCRIPTION
TTP00065	Repair Manual & Operators Guide
X10062	Wiring Diagram
TTP00086	Handbook, Prevent Maintenance

CRANKCASE, BEARING CAPS AND OIL FILTER

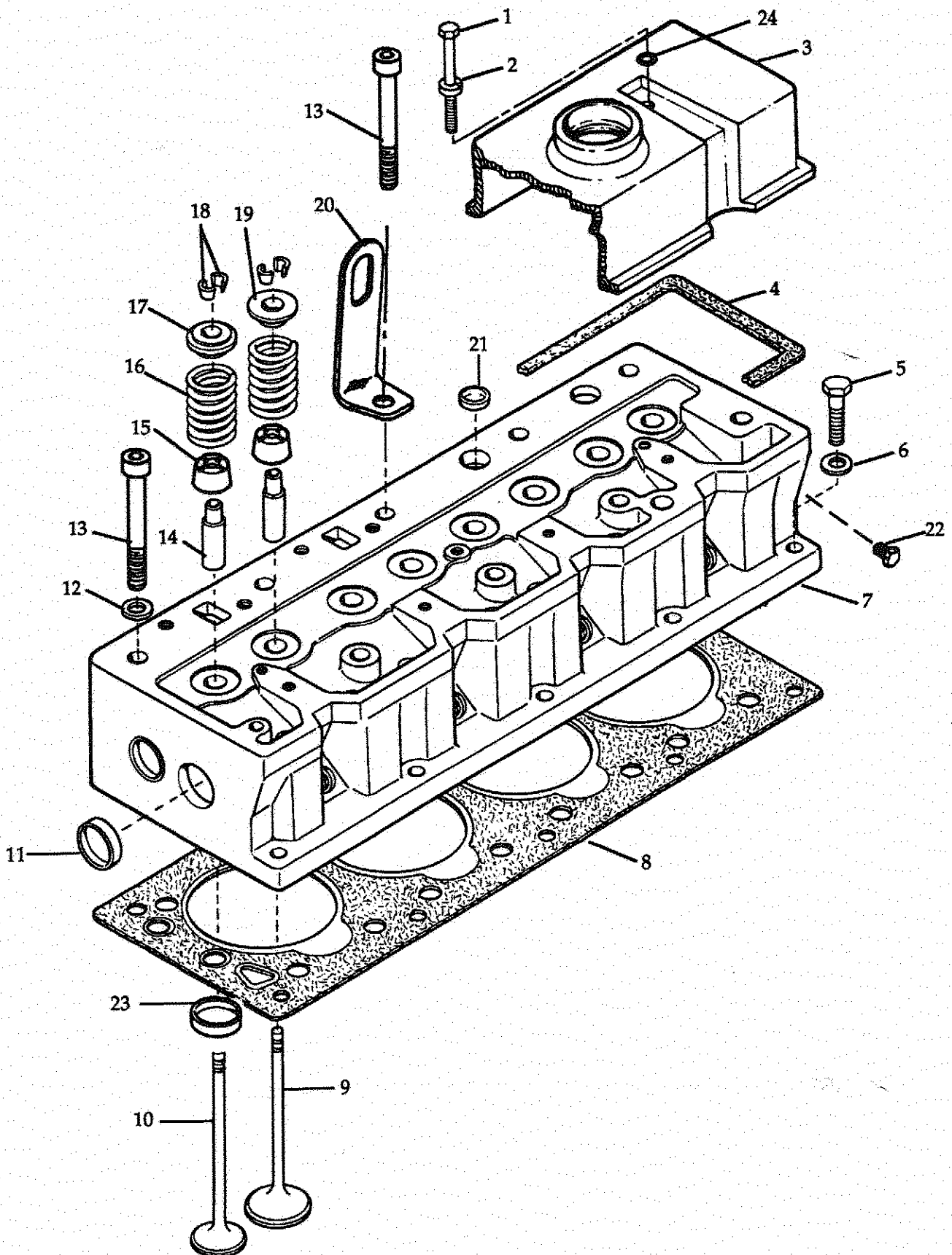


CRANKCASE, BEARING CAPS AND OIL FILTER

ITEM	PART NO.	DESCRIPTION	QTY
1	26XX00110	Plug, crankcase (3/8" pipe).....	1
2	TM27L00426	Rod & cap, oil gauge <i>TM27L00439</i>	1
3	TM27L00311	Tube, oil filler	1
4	26XX00137A	Plug, crankcase (1/4" pipe).....	5
5	20110001 <i>S/S</i>	Filter Assembly - oil <i>F600L037 50</i>	1
6	X13304	Plug, cup, crankcase core hole, right side & rear.....	5
7	26XX26129	Plug, hex head, crankcase (1/8" pipe).....	1
8	^{a,c} TM27A615601R	Short block (Service "R" Assembly).....	1
—	^{b,c} TM27A615803S	Long block (Service "S" Assembly).....	1
9	X02208	Plug, expansion, crankcase at rear cam bearing.....	1
10	X07663	Plug, crankcase, left side, oil gauge rod hole.....	1
11	* TM27L00513	Seal, oil, rear crankshaft.....	2
12	TM27B00500	Cap & filler block, rear bearing.....	1
13	TM27B00401	Cap, crankshaft bearing, intermediate.....	3
14	XM32018	Screw, bearing cap to crankcase.....	10
15	TM27B05021	Pan Assembly, oil (includes items 16 & 17).....	1
16	F400B00282	Plug, oil pan drain.....	1
17	X14583	Washer, oil pan drain plug.....	1
18	XM32077	Screw & washer oil pan to crankcase.....	18
19	TM27B00400	Cap, crankshaft, front bearing.....	1
20	TM27B00322	Dowel, bearing cap, front & rear (3/16" x 3/4").....	4
21	X17025	Pin, dowel, gear cover to crankcase.....	2
22	TM27L00202	Adapter, oil filter.....	1
23	^f X07840	Insert - curing, rear bearing cap - side.....	2
24	^e —	Nameplate (normal location).....	1

- NOTE:**
- ^a Typically includes crankcase assembly, bearing caps, tappets, camshaft, main and rod bearings, crankshaft assembly, oil slinger — crankshaft, pistons, piston pins, piston rings, connecting rods, thrust plate, cam gear, crankshaft gear, cover-fuel pump hole, oil pump assembly w/inlet tube assembly, lifting bracket, miscellaneous hardware and service gasket set.
 - ^b Typically includes all items in short block service "R" assembly (Note ^a) plus cylinder head (includes valve train), rocker arm shaft assembly, push rods, cylinder head cover, oil filler cap, gear cover assembly, oil pan assembly and cam gear governor assembly.
 - ^c Use the "R" & "S" assembly part numbers shown on your "Customer Specification" if different from part numbers listed here.
 - * ~~Not~~ Included in Front End Gasket Set TM27U02003.
 - ^e Not serviced separately.
 - ^f Included in oil pan & rear bearing sealing set TM27T00107.

CYLINDER HEAD, COVER AND VALVES

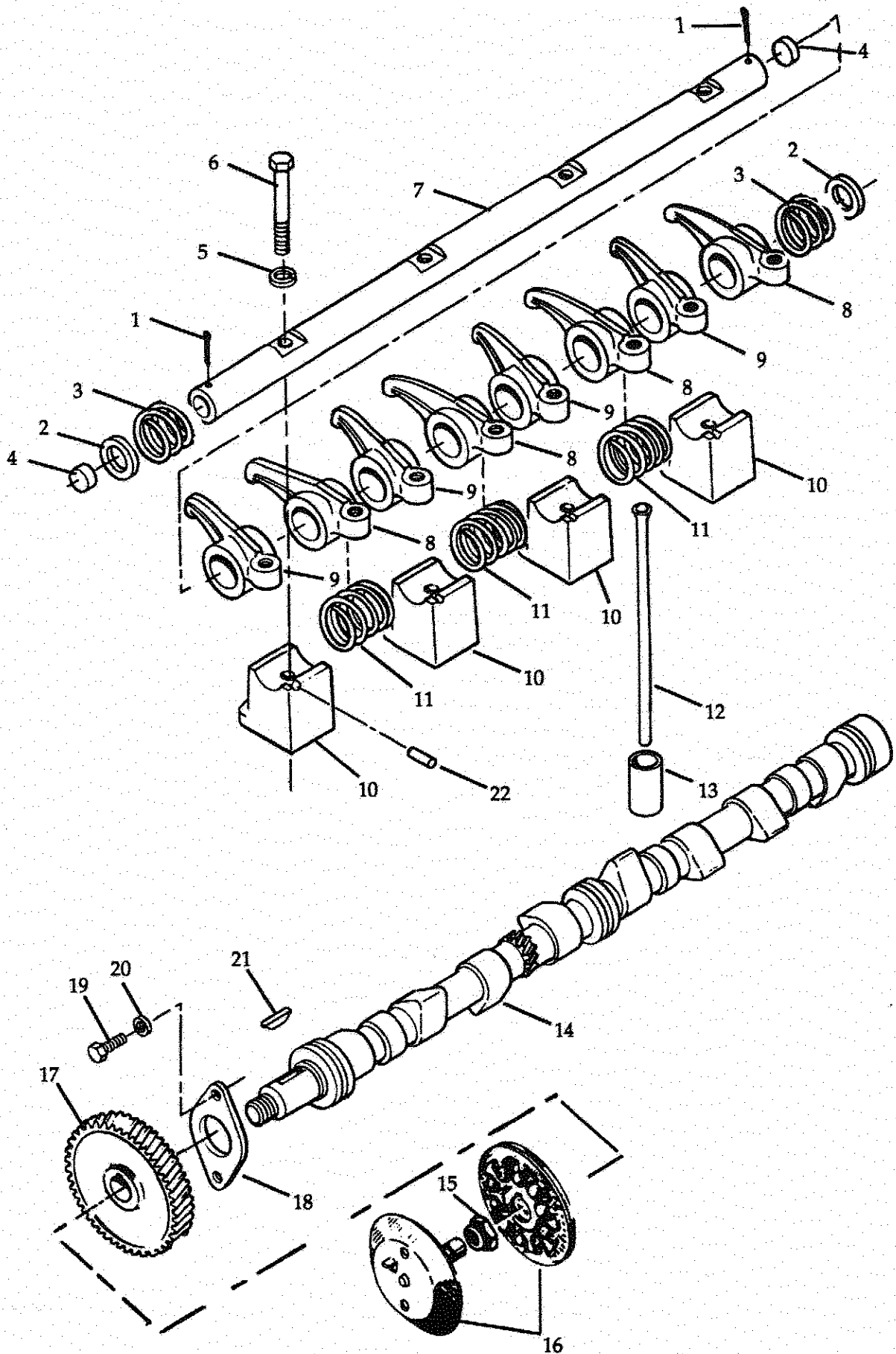


CYLINDER HEAD, COVER AND VALVES

ITEM	PART NO.	DESCRIPTION	QTY
1	XM32072	Screw, cylinder head cover to cylinder head	3
2	^a X14596	Washer, plain, cylinder head cover to cylinder head	3
3	TM27A00610	Cover, cylinder head (Continental)	1
—	20010002	Cover, cylinder head (Wisconsin)	1
4	^a TM27A00502	Gasket, cylinder head cover	1
5	XM32021	Screw, cylinder head to crankcase	5
6	15X X14141	Washer, plain, cylinder head to crankcase	5
7	^b TM27A06091	Head, cylinder, service (includes items 9-11, 14-19, 21, 23 & Manifold Studs)	1
8	^a TMD27A00612	Gasket, cylinder head	1
9	TM27I00504	Valve, intake	4
10	TM27I00505	Valve, exhaust	4
11	X02583	Plug, cup, front & rear	4
12	XM37003	Washer, plain, cylinder head to crankcase	9
13	^c XM32134	Screw, socket head, cylinder head to crankcase	10
14	TM27I00316	Guide, valve stem, intake & exhaust	8
15	TM27I00311	Guard, valve stem oil, intake & exhaust	8
16	TM27I00309	Spring, valve, intake & exhaust	8
17	TM27I00308	Roto-coil, exhaust	4
18	CVT03234	Lock, valve spring retainer	16
19	TM27I00300	Retainer, valve spring, intake	4
20	^c TM27Z00402	Bracket, engine lifting	1
21	X07689	Plug, cup, cylinder head top	2
22	26XX26129	Plug, left rear oil gallery	1
23	^d TM27A00400	Insert, exhaust valve seat	4
24	^a XM39000	O-ring, cylinder head cover	3
—	X06226	Label-fan warning (top of cyl. head cover)	1

- NOTE:**
- ^a Included in Top End Gasket Set TMD27U01006.
 - ^b Service head assembly contains "stellite" exhaust valves (TM27I00509).
 - ^c On older model engines, see Service Bulletin #90-391, 90-403 & Newsletter C89-15 concerning lifting bracket & head bolt changes & torques.
 - ^d Serviced in .025 oversize.

CAMSHAFT, ROCKER ARM AND GOVERNOR

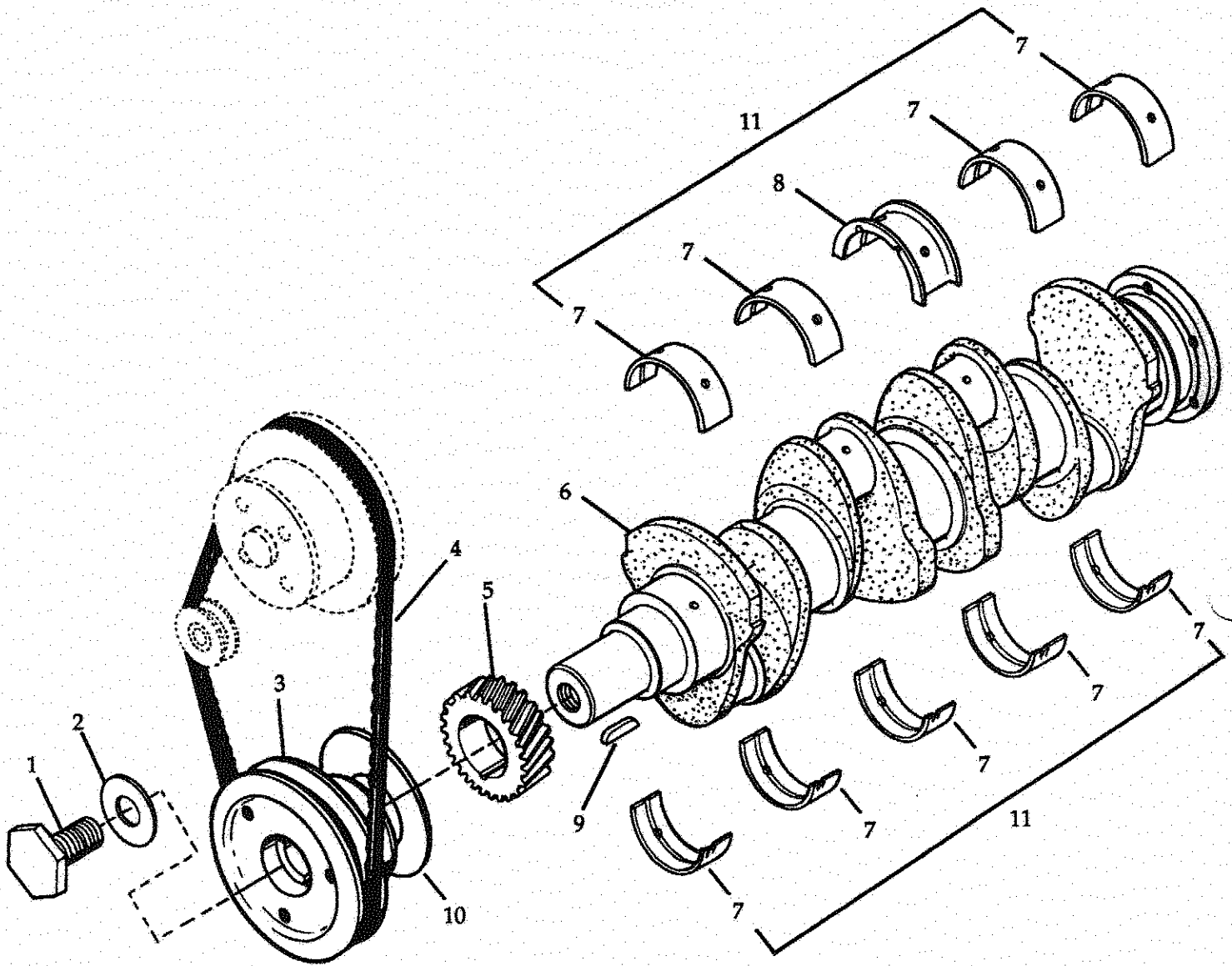


CAMSHAFT, ROCKER ARM AND GOVERNOR

ITEM	PART NO.	DESCRIPTION	QTY
1	X00623	Pin, cotter	2
2	X14589	Washer, rocker shaft	2
3	TM27I00313	Spring, rocker arm shaft	2
4	X07815	Plug, rocker arm shaft ends	2
5	XM37005	Washer, flat, rocker arm shaft to cylinder head	4
6	XM32031	Screw, rocker arm shaft to cylinder head	4
7	^a TM27I05162	Shaft, rocker arm, w/plugs (includes item 4)	1
8	TM27I05150	Arm assembly, rocker, intake	4
9	TM27I05140	Arm assembly, rocker, exhaust	4
10	TM27I00314	Support, rocker arm shaft	4
11	TM27I00303	Spring, rocker arm shaft	3
12	TM27I00403	Rod, push	8
13	TM27I00305	Tappet, valve	8
14	TM27I00601	Camshaft w/governor machining	1
15	X18552	Nut, camshaft gear to camshaft	1
16	Z145S03000	Governor assembly	1
17	TM27H00505	Gear, camshaft	1
18	F400I00246	Plate, camshaft thrust	1
19	XM32019	Screw, thrust plate to crankcase	2
20	XM37012	Washer, lock, thrust plate to crankcase	2
21	X00599D	Key, cam gear to camshaft	1
22	X17066	Pin, grooved, front support to shaft	1

NOTE: ^a TM27I05162 Complete Rocker Arm Shaft Assembly (includes items 1-6, 8-11 & 22).

CRANKSHAFT AND PULLEY



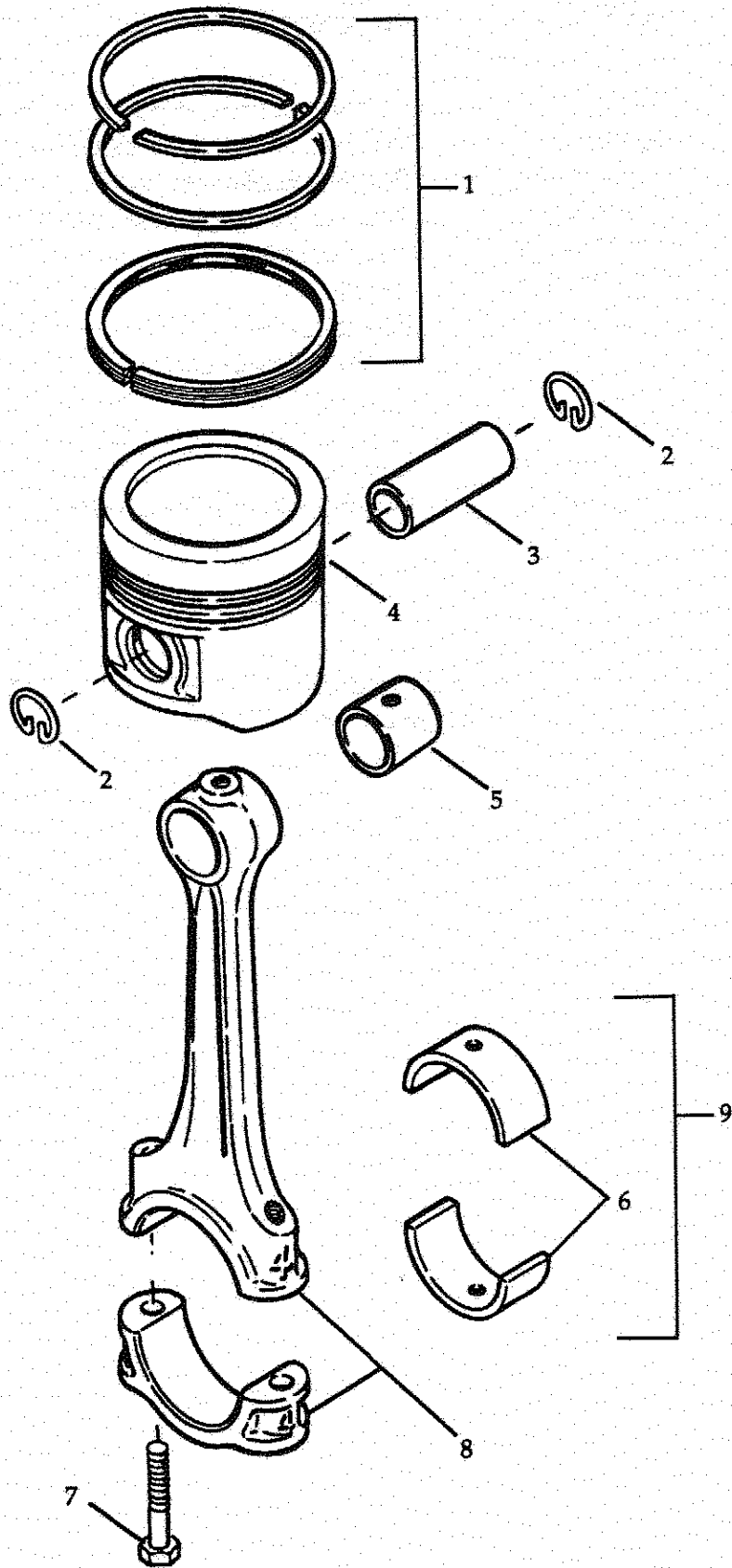
CRANKSHAFT AND PULLEY

ITEM	PART NO.	DESCRIPTION	QTY
1	XM32064	Screw, crankshaft pulley to crankshaft	1
2	XM37014	Washer, plain, crankshaft pulley to crankshaft	1
3	TM27C00401	Pulley, crankshaft (w/PTO machining)	1
4	X27019500	Belt, water pump/alternator drive	1
5	TM27H00407	Gear, crankshaft	1
6	TMD27C00300	Crankshaft	1
7	^a _____	Bearing, crankshaft, front, intermediate & rear, upper & lower	9
8	^a _____	Bearing, crankshaft, thrust, center upper	1
9	X00666	Key, crankshaft gear & pulley to crankshaft	1
10	TM27C00408	Slinger, oil	1
11	^b TM27T00102	Bearing kit, crankshaft (includes items 7 & 8)	1

NOTE: ^a Included in item 11.

^b Crankshaft Bearing Kits are serviced in Standard and 0.25mm, 0.50mm, 0.75mm and 1.00mm undersize.

PISTON AND CONNECTING RODS

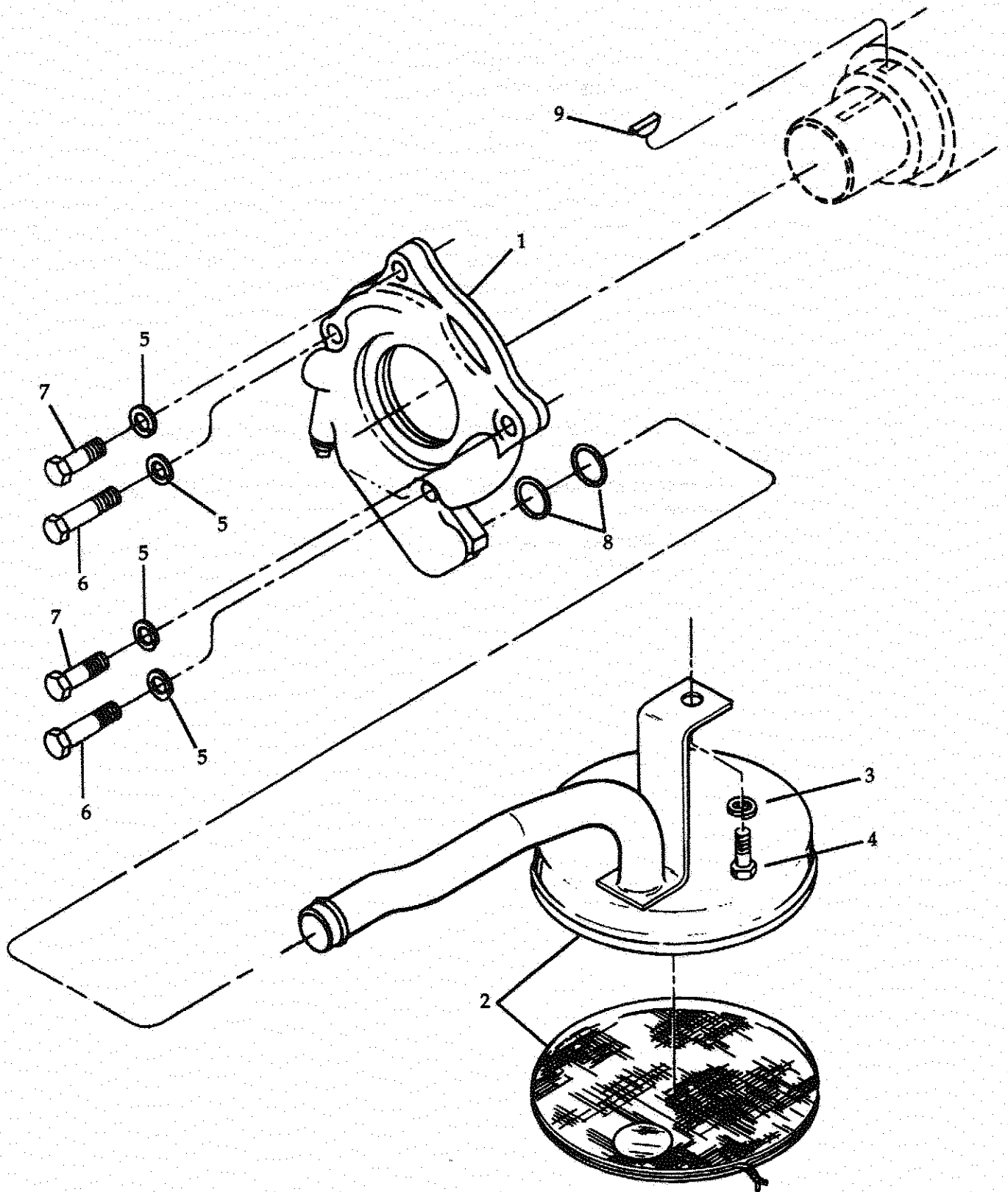


PISTON AND CONNECTING RODS

ITEM	PART NO.	DESCRIPTION	QTY
1	^a TM27T00120	Ring set (single piston)	4
2	K800A00203	Ring, retaining, piston.....	8
3	TM27A00300	Pin, piston	4
4	^b TM27A05001E	Piston (includes items 2 & 3).....	4
5	TM27G00303	Bushing, piston pin	4
6	^c _____	Bearing, connecting rod, upper & lower	8
7	Z145D00300	Bolt, connecting rod	8
8	TMD27D03001	Rod assembly, connecting (includes items 5 & 7).....	4
9	^d TM20T00102	Bearing set, connecting rod (single rod, includes item 6)	4

- NOTE:**
- ^a Piston Ring Sets are serviced in Standard and oversized 0.50mm, 0.75mm & 1.00mm.
 - ^b Pistons are serviced in Standard and oversized 0.50mm, 0.75mm & 1.00mm.
 - ^c Included in item 9.
 - ^d Connecting Rod Bearings are serviced in Standard and undersized 0.25mm, 0.50mm, 0.75mm & 1.00mm.

OIL PUMP

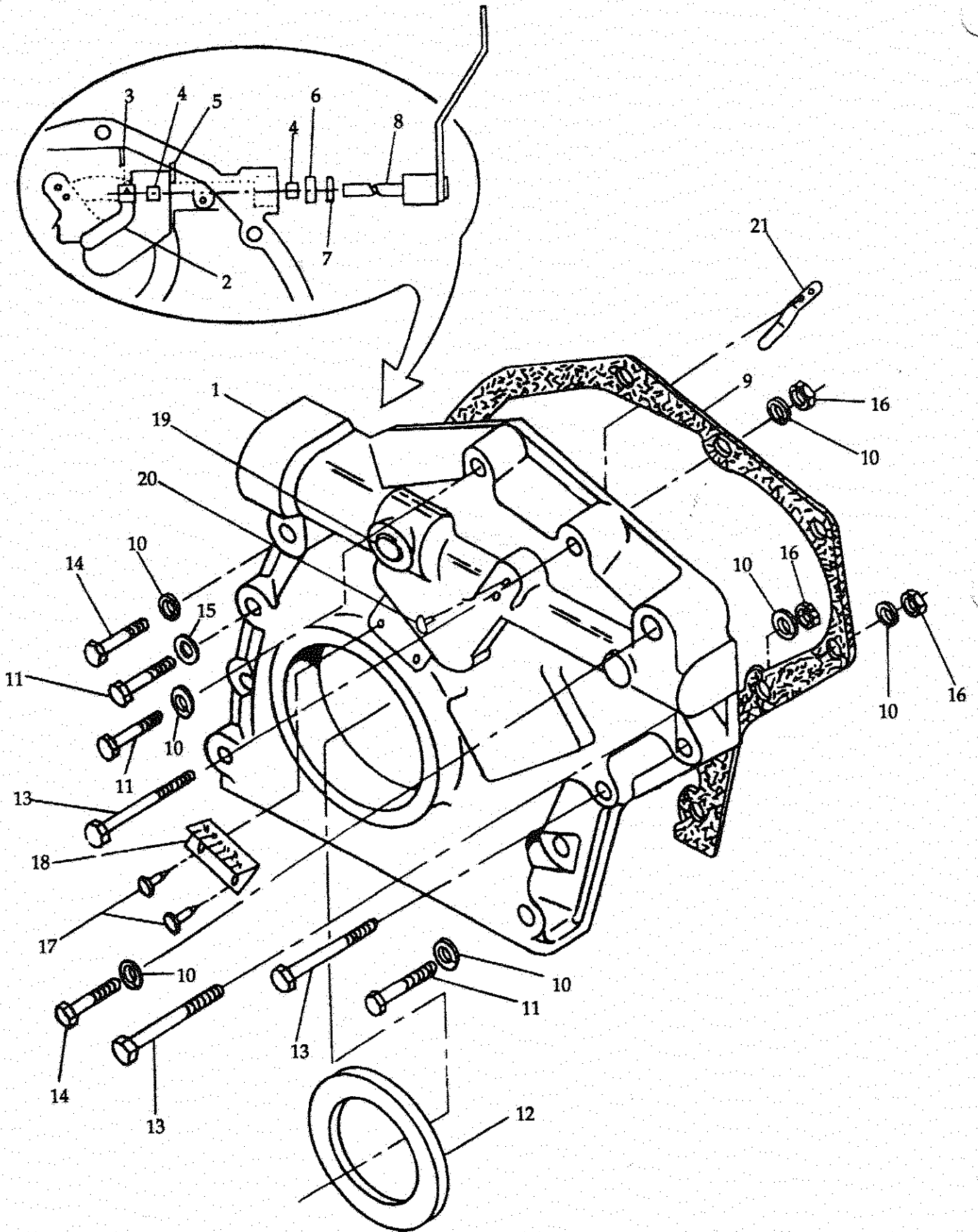


OIP PUMP

ITEM	PART NO.	DESCRIPTION	QTY
1	^{a,b} TM27L06050	Oil pump assembly	1
2	^b TM27L05180	Tube assembly, oil pump inlet	1
3	XM37001	Washer, lock, tube to center bearing cap	1
4	XM32052	Screw, tube to center bearing cap	1
5	XM37002	Washer, lock, oil pump to bearing cap	1
—	XM37002	Washer, lock, oil pump to crankcase, right side	1
—	XM37002	Washer, lock, oil pump to crankcase, upper & left side	2
6	XM32041	Screw, oil pump to bearing cap	1
—	XM32041	Screw, oil pump to crankcase, right side	1
7	XM32039	Screw, oil pump to crankcase, upper & left side	2
8	X01673	Seal, O-ring, oil pump inlet tube	2
9	X00692	Crankshaft key	1

NOTE: ^a Oil Pump components are not serviced separately.
^b Engines built prior to S/N 88096321, see Service Bulletin # 88-379 & News letter C89-6 concerning Oil Pump & Inlet Tube assembly changes.

GEAR COVER

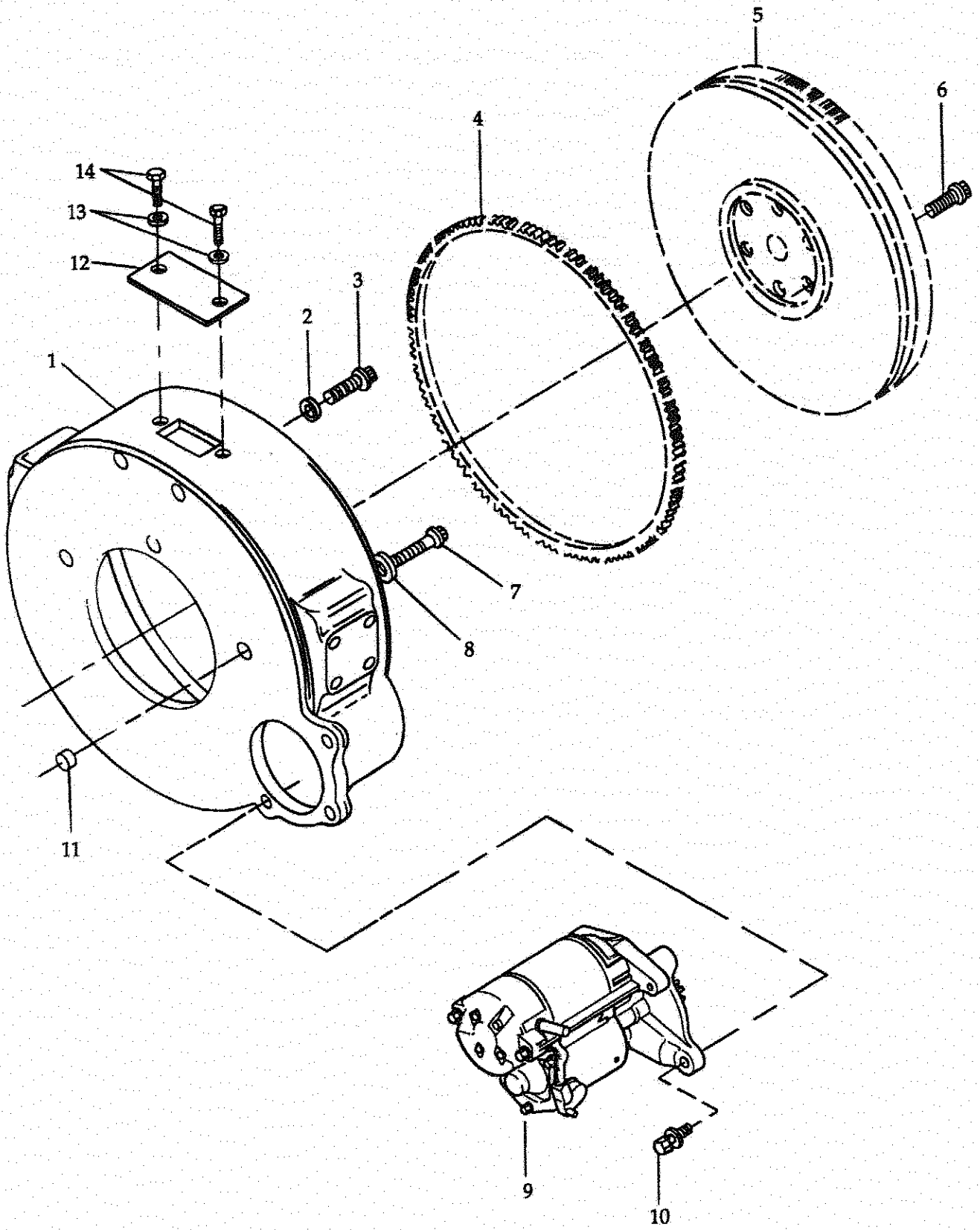


GEAR COVER

ITEM	PART NO.	DESCRIPTION	QTY
1	TM27B06112	Cover assembly, gear (includes items 2-8, 12, & 17-21) ...	1
2	Z120S00203	Arm, cam gear governor rocker	1
3	X17040	Pin, groove, rocker arm to shaft	1
4	Z120S00202	Bearing, governor rocker shaft	2
5	X17045	Pin, groove, needle bearing stop	1
6	D600S00207	Seal, governor rocker shaft oil	1
7	Z120S00207	Seal, governor rocker shaft oil	1
8	TM27S04090	Lever & shaft assembly, governor	1
9	^a TM27B00517	Gasket, gear cover TM27B00529	1
10	XM37001	Washer-lock	8
11	XM32026	Screw, gear cover to crankcase	4
12	^a X07845	Seal, oil, crankshaft	1
13	XM32068	Screw, gear cover to crankcase	3
14	XM32115	Screw, gear cover to crankcase	2
15	X14134	Washer, copper, gear cover to crankcase	1
16	XM35000	Nut, gear cover to crankcase	3
17	X13012	Rivet, timing pointer to gear cover	2
18	TM27B00416	Timing pointer plate	1
19	26XX00137A	Plug, at rocker arm boss	1
20	X17048	Rivet, governor bumper spring	2
21	TM27S00302	Spring, governor bumper	1

NOTE: ^a Included in Front End Gasket Set TM27U02003.

FLYWHEEL, HOUSING AND STARTER

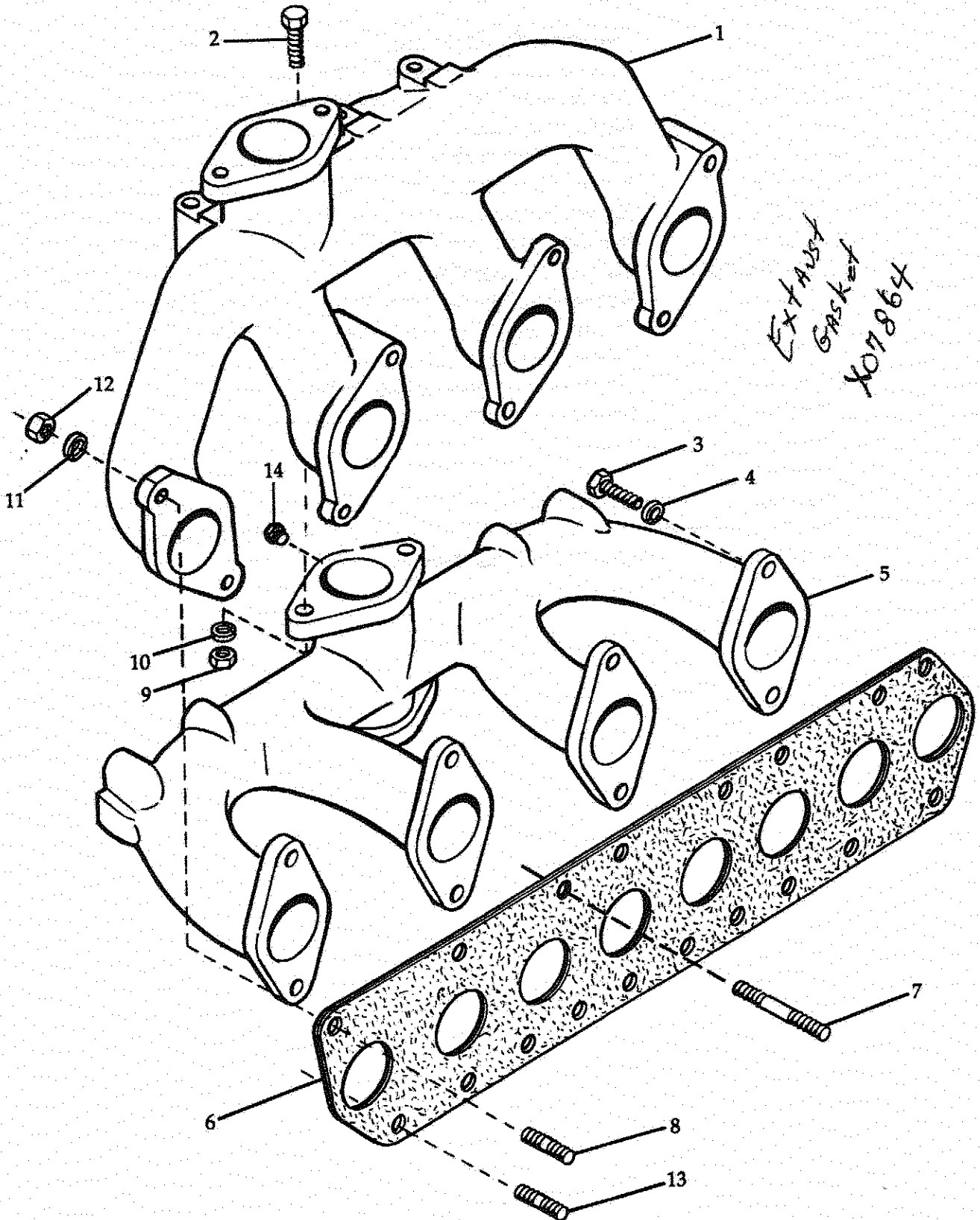


FLYWHEEL, HOUSING AND STARTER

ITEM	PART NO.	DESCRIPTION	QTY
1	TM27B06072	Housing, flywheel (includes items 12 - 14).....	1
2	X41323	Washer, plain, housing to crankcase, center & upper.....	3
3	XM32086	Screw, housing to crankcase, center & upper	3
4	^a _____	Gear, ring	1
5	^a _____	Flywheel assembly (includes item 4)	1
6	XM32036	Screw, flywheel to crankshaft.....	6
7	XM32021	Screw, housing to crankcase at dowel	2
8	X14141	Washer, plain, housing to crankcase at dowel	2
9	^b TMD13M00500	Starter (Nippondenso)	1
10	X03979	Screw & washer, starter to flywheel housing.....	2
11	X07005	Dowel, ring, flywheel housing to crankcase	2
12	TM27B00304	Cover, timing hole	1
13	X00202B	Washer-lock, timing hole cover	2
14	X03236	Screw, timing hole cover	2

NOTE: ^a See your "Customer Specification" to determine Flywheel Assembly part number, then see Service Bulletin #91-416 for Ring Gear part number.
^b See accessories section at rear of this manual for service parts.

INTAKE AND EXHAUST

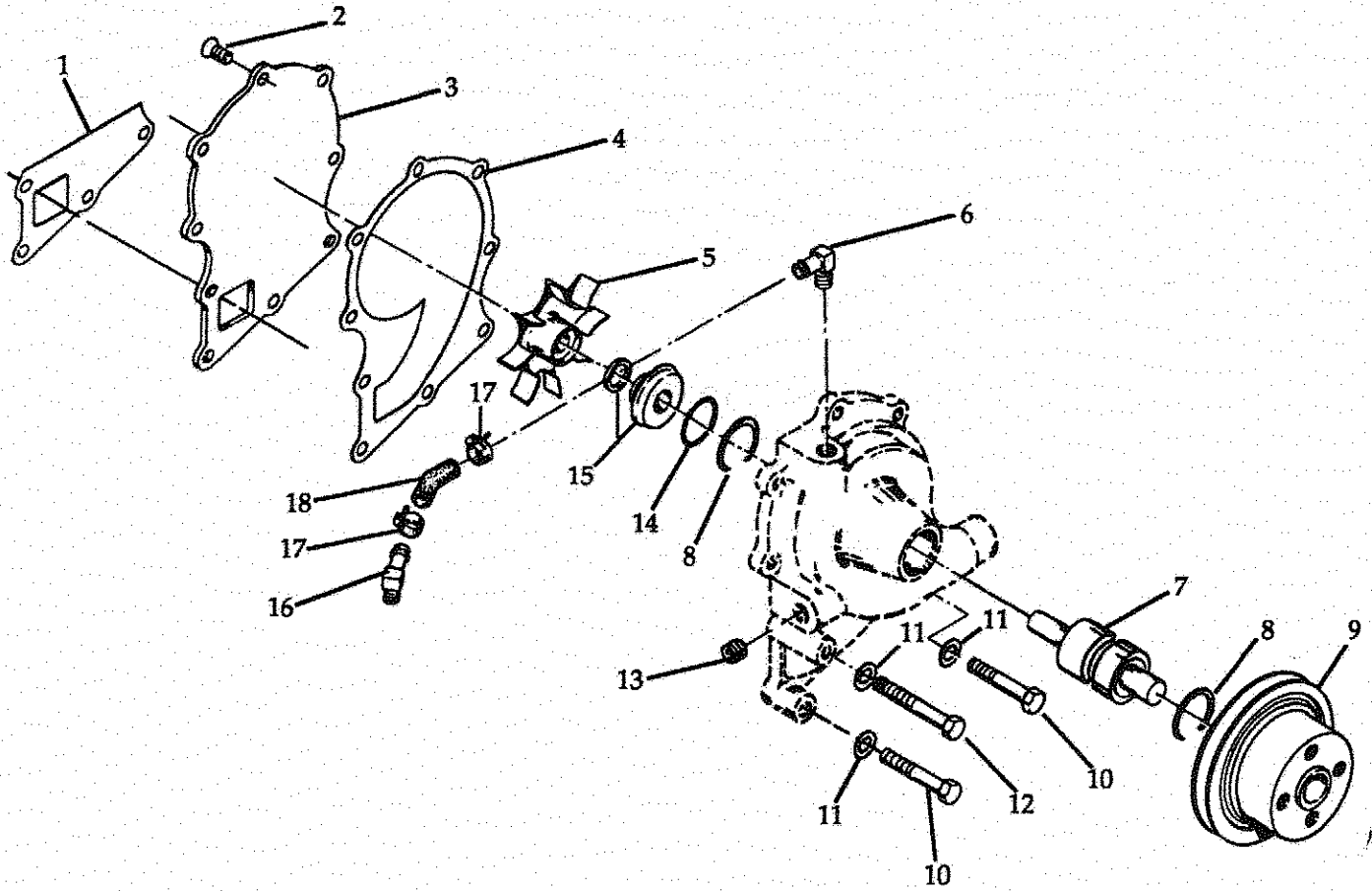


INTAKE AND EXHAUST

ITEM	PART NO.	DESCRIPTION	QTY
1	TM27E00601	Manifold, exhaust.....	1
2	24XXM32049	Screw, exhaust to intake manifold	2
3	XM32039	Screw, intake manifold to cylinder head	8
4	XM37005	Washer, flat, intake manifold to cylinder head	8
5	TM27F00527	Manifold, intake.....	1
6	^a TM27E0050X3	Gasket, manifold, intake & exhaust	1
7	XM32050	Stud, exhaust manifold - M8 x 80	2
8	XM32022	Stud, exhaust manifold - M8 x 40	5
9	24XXM35000	Nut, exhaust to intake manifold	2
10	XM37001	Washer, lock, exhaust to intake manifold	2
11	XM37005	Washer, flat, exhaust manifold to cylinder head	8
12	24XXM35002	Nut, exhaust manifold to cylinder head	8
13	XM32095	Stud, exhaust manifold - M8 x 45	1
14	26XX26129	Plug, intake manifold, upper	1

NOTE: ^a Included in Top End Gasket Set TMD27U01006.

WATER PUMP ASSEMBLY

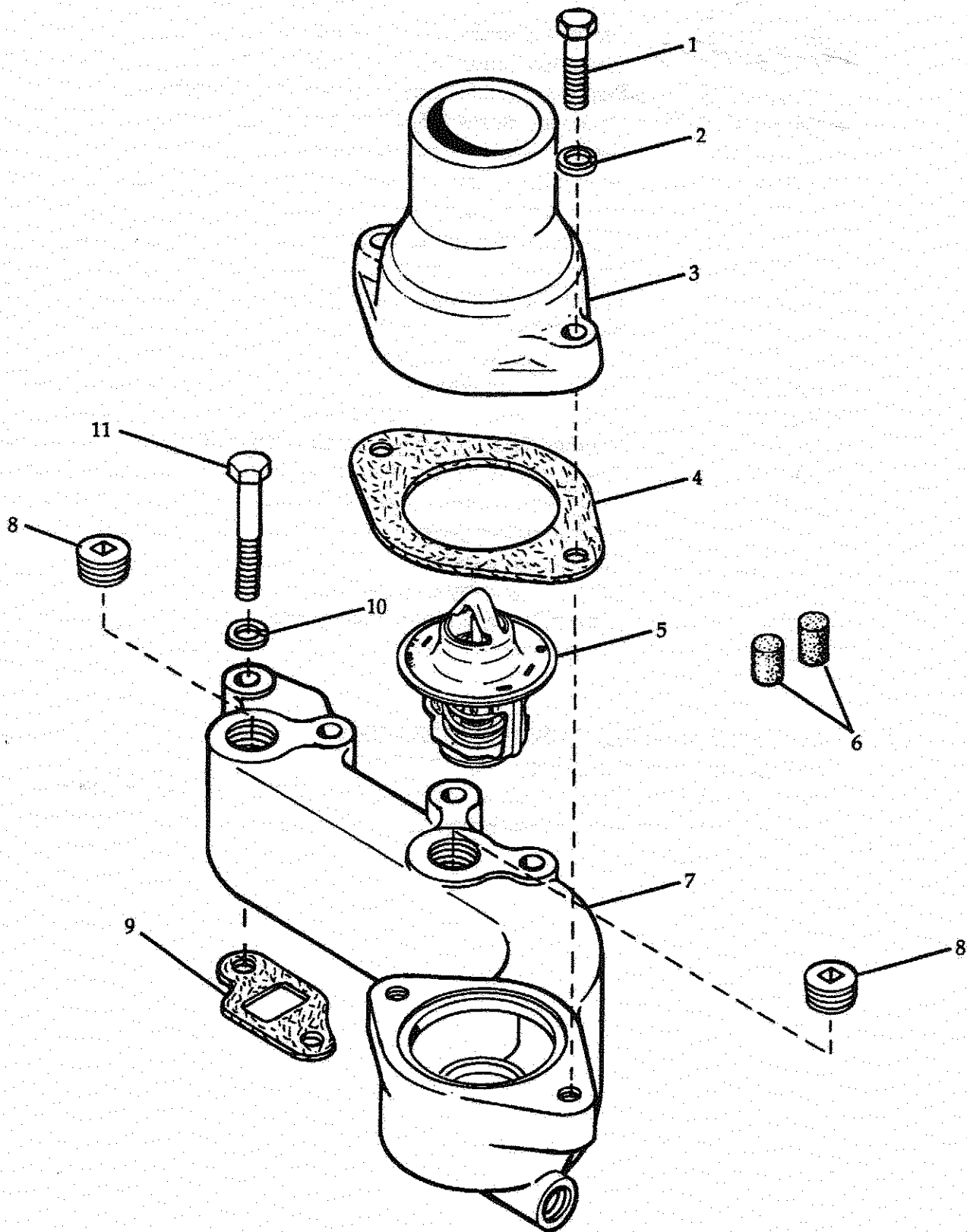


WATER PUMP ASSEMBLY

ITEM	PART NO.	DESCRIPTION	QTY
—	(TM27K06015) TM27K06103	Pump assembly, water, complete (includes items 2-5, 7-9, & 13-15).....	1
—	(TM27K06012) TM27K06105	Pump assembly, water, for service, complete (includes items 1-5, 7, 8 & 13-15).....	1
1	^{a,b} TM27K00301	Gasket, water pump to crankcase	1
2	XM32106	Screw, backplate to water pump	6
3	TM27K00405	Plate, water pump back	1
4	^b TM27K00403	Gasket, water pump back plate	1
5	^b TM27K00418	Impeller, water pump	1
6	X26176	Elbow, hose, water pump body	1
7	^b TM27K00306	Shaft & bearing assembly	1
8	^b X07047	Ring, snap, shaft & bearing	2
9	^c TM27K00406	Pulley, water pump	1
10	XM32011	Screw, water pump to crankcase.....	2
11	XM37001	Washer, lock, water pump to crankcase	3
12	XM32108	Screw, water pump & alt strap to crankcase	1
13	X26166	Plug, water pump body, side.....	1
14	^b K600K00220	Gasket, water pump seal	1
15	^b OA200K03040	Seal & Seat assembly	1
16	X26176	Elbow, water by-pass, water header.....	1
17	X02376	Clamp, hose, water by-pass hose	2
18	TM27K00309	Hose, water by-pass	1

- NOTE:**
- ^a Included in Front End Gasket Set TM27U02003.
 - ^b Included in Water Pump Repair Kit TM27T01001.
 - ^c Water Pump Pulley Installation Instructions, form X30078, packaged with service pump and water pump repair kit, must be followed when assembling pulley to pump.

WATER HEADER AND THERMOSTAT

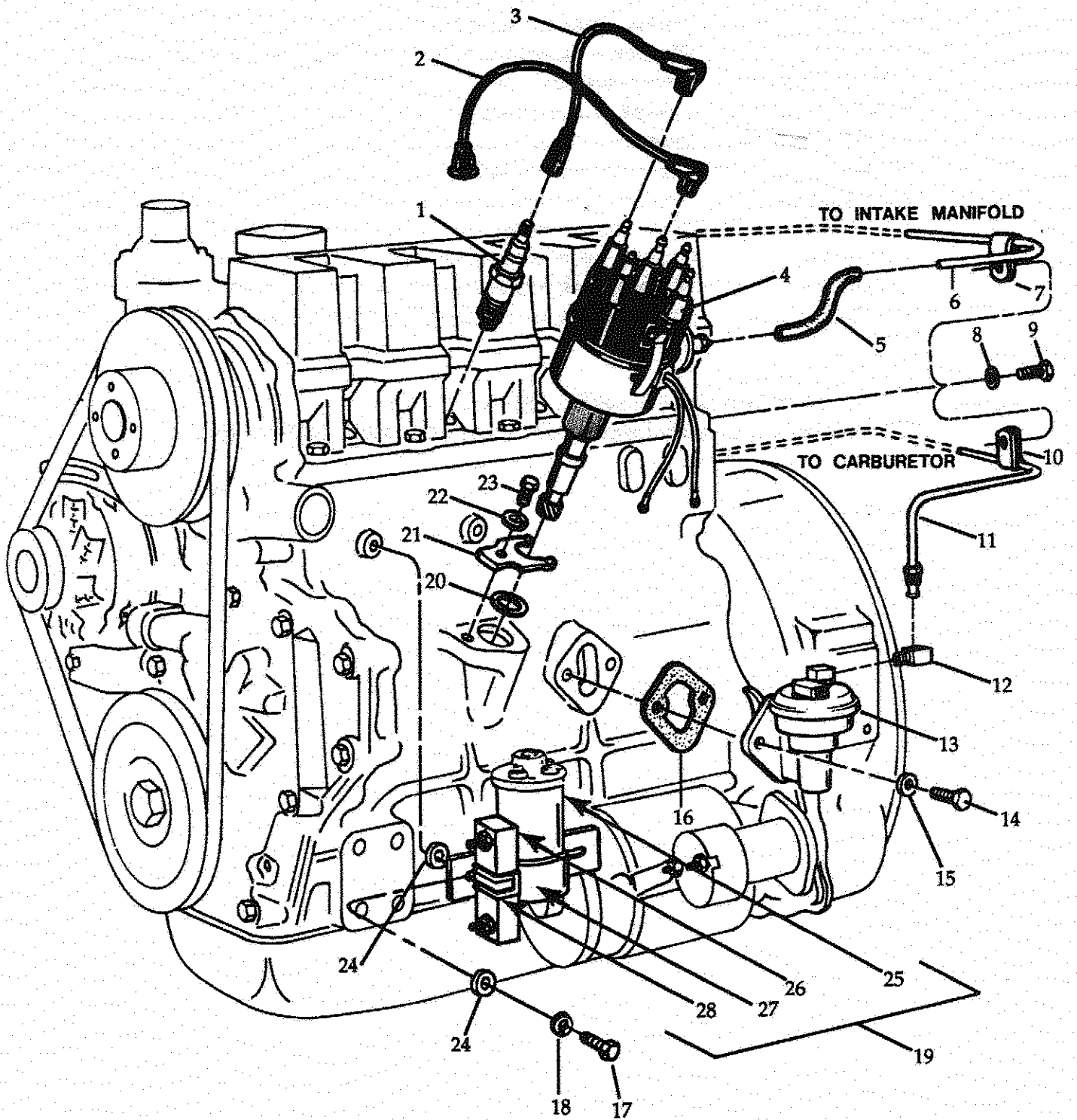


WATER HEADER AND THERMOSTAT

ITEM	PART NO.	DESCRIPTION	QTY
1	XM32039	Screw, water outlet elbow to water header	2
2	XM37002	Washer, lock, water outlet elbow to water header	2
3	TM27K00404	Elbow, water outlet	1
4	^a X07854	Gasket, water outlet elbow	1
5	TM27K00402 ⁴²⁹	Thermostat.....	1
6	^b X05695	Conditioner, coolant	2
7	TM27K00503	Header, water outlet	1
8	26XX00101B	Plug, water header	2
9	^a TM27K00202	Gasket, water outlet header	2
10	XM37002	Washer, lock, water header to cylinder head	4
11	XM32038	Screw, water header to cylinder head	4

NOTE: ^a Included in Top End Gasket Set TMD27U01006.
^b Replenish anytime cooling system is serviced. REF: SPB#90-409.

DISTRIBUTOR, COIL AND FUEL PUMP

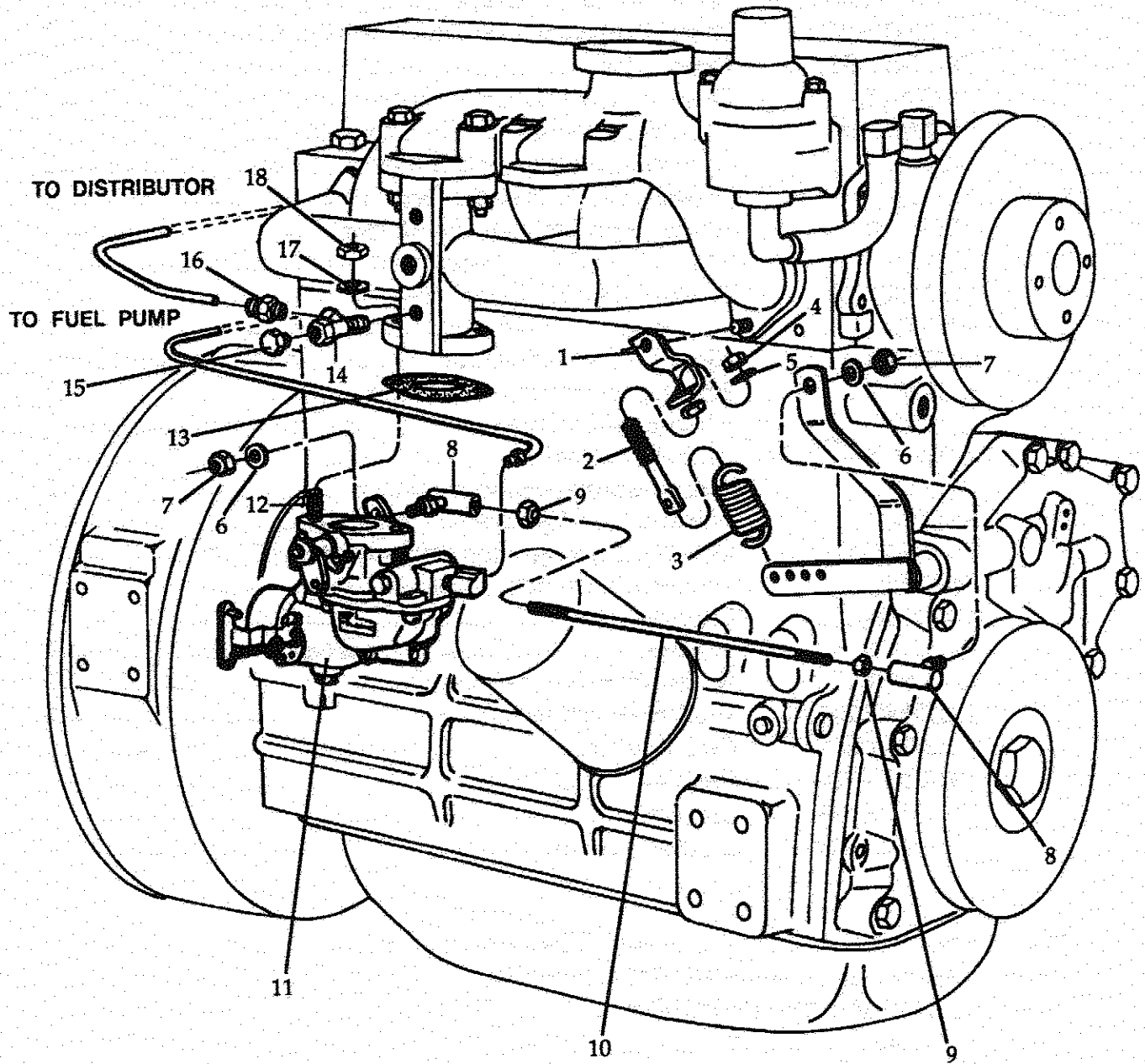


DISTRIBUTOR, COIL, AND FUEL PUMP

ITEM	PART NO.	DESCRIPTION	QTY
1	SP200S00009RNYC	Plug, spark.....	4
2	FW00313080	Wire, distributor to coil	1
3	FW00312080	Wire, distributor to spark plug, #1 & #2.....	2
4	FW00312120	Wire, distributor to spark plug, #3 & #4.....	2
4	^a TM27M00510	Distributor.....	1
5	X08258110	Hose, vacuum tube to distributor	1
6	TM27F05140	Tube, distributor to intake manifold	1
7	X07737	Clip, vacuum tube to cylinder head, rear	1
8	X01373	Washer, clip to cylinder head, rear	1
9	XM32008	Screw, clip to cylinder head, rear	1
10	X07738	Clip, fuel line to cylinder head, rear	1
11	TM27F05250	Tube, fuel pump to carburetor	1
12	X12251	Elbow, fuel pump outlet.....	1
13	^b F400T00421	Kit - pump, fuel (includes F/P & item 15)	1
14	XM32037	Screw, fuel pump to crankcase	2
15	^c X14192	Washer, plain, fuel pump to crankcase	2
16	X07861 X07870	Gasket, fuel pump	1
17	XM32037	Screw, ignition coil to crankcase	2
18	XM37002	Washer, lock, ignition coil to crankcase	2
19	TM27M03170	Coil assembly, ignition (includes items 25-28)	1
20	^c F401M00219	Gasket, distributor.....	1
21	TM27M00316	Clamp, distributor	1
22	XM37002	Washer, lock, distributor to crankcase	1
23	XM32037	Screw, distributor to crankcase	1
24	TM27M00240	Washer — coil mounting.....	4
25	^d TM27M00227	Coil, ignition.....	1
26	^d TM27M00228	Resistor	1
27	^d TM27M00229	Bracket, coil	1
28	^d TM27M00230	Bracket, resistor.....	1

- NOTE:**
- ^a See accessories section at rear of this manual for service parts.
 - ^b See Service Bulletin #83-343 concerning Fuel Pump Kits.
 - ^c Included in Top End Gasket Set TMD27U01006.
 - ^d Included in item 19.

CARBUREATOR, CONTROL ROD AND GOVERNOR RELATED ITEMS

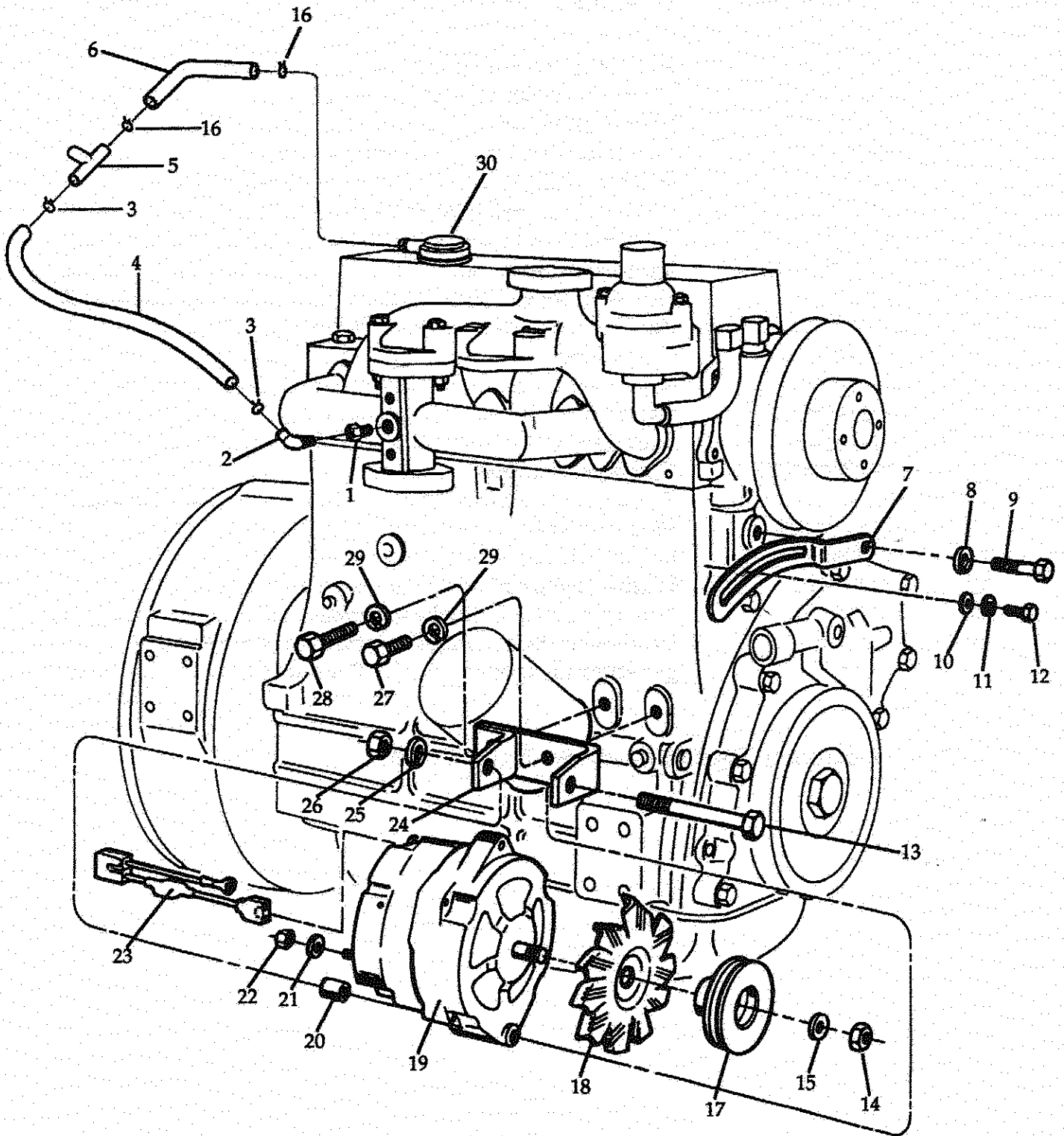


CARBURETOR, CONTROL ROD, AND GOVERNOR RELATED ITEMS

ITEM	PART NO.	DESCRIPTION	QTY
1	TM27S00300	Anchor, governor spring	1
2	TM27S00301	Screw, governor spring adjusting	1
3	F401S00229	Spring, governor	1
4	XM35001	Nut, governor spring adjusting screw	2
5	X01373	Washer, plain, governor spring adjusting screw	1
6	X00201	Washer, lock, ball joint to levers	2
7	X18137	Nut, ball joint to levers	2
8	X13250	Joint-ball, control rod	2
9	X18137	Nut, ball, control rod	2
10	X05692096	Rod, control (governor to carburetor)	1
11	CA10F00361	Carburetor	1
—	10210004	Repair kit — carburetor (service)(Incl: Gasket Set)	1
—	10210005	Gasket set — carburetor (service)	1
12	XM32048	Stud, carburetor to intake manifold	2
13	^a TM27F00206	Gasket, carburetor	1
14	X12671	Tee, pipe, intake manifold	1
15	26XX26129	Plug, end of tee	1
16	X12131	Union-half, tee at intake manifold	1
17	XM37016	Washer, lock, carburetor to intake manifold	2
18	XM35000	Nut, carburetor to intake manifold	2
19	10250002	Label-warning rotating fan (attach to control rod — governor to carburetor) (Not Illustrated)	1

NOTE: ^a Included in Top End Gasket Set TMD27U01006.

ALTERNATOR AND PCV SYSTEM



ALTERNATOR AND PCV SYSTEM

ITEM	PART NO.	DESCRIPTION	QTY
1	X26146	Adapter, intake manifold to restrictor elbow	1
2	X26125	Elbow, restrictor, intake manifold	1
3	X02751	Clamp, hose	2
4	X08253140	Hose, restrictor elbow to tee	1
5	X26124	Tee, hose at filler cap	1
6	F401F00274	Hose, filler cap to tee	1
7	TM27M00301	Strap, adjusting, alternator	1
8	—	Washer, lock (see item 11, page 24)	1
9	—	Screw, (see item 12, page 24)	1
10	X14141	Washer, plain, adjusting strap to alternator	1
11	XM37002	Washer, lock, adjusting strap to alternator	1
12	XM32039	Screw, adjusting strap to alternator	1
13	XM32007	Screw, alternator to bracket	1
14	—	Nut, pulley & fan to alternator (part of alt.)	1
15	—	Washer, pulley & fan to alternator (part of alt.)	1
16	X02708	Clamp, hose - filler cap to tee hose	2
17	F600M00379	Pulley, alternator	1
18	HD277M00407	Fan, alternator pulley	1
19	^{a,b} F401M00355	Alternator (Delco #1105067, includes items 14 & 15)	1
20	X14234	Spacer, alternator to bracket, rear	1
21	13XXM37013	Washer, lock, alternator battery terminal	1
22	13XXM35001	Nut, alternator battery terminal	1
23	F401M00332	Harness, alternator	1
24	TM27M00411	Bracket, alternator	1
25	XM37001	Washer, lock, alternator to bracket	1
26	XM35000	Nut, alternator to bracket	1
27	XM32045	Screw, alternator bracket to crankcase	1
28	XM32046	Screw, alternator bracket to crankcase	1
29	XM37008	Washer, alternator bracket to crankcase	2
30	TM27L00412	Cap, oil filler - top of cylinder head cover	1
—	X06163	Decal - alternator	1

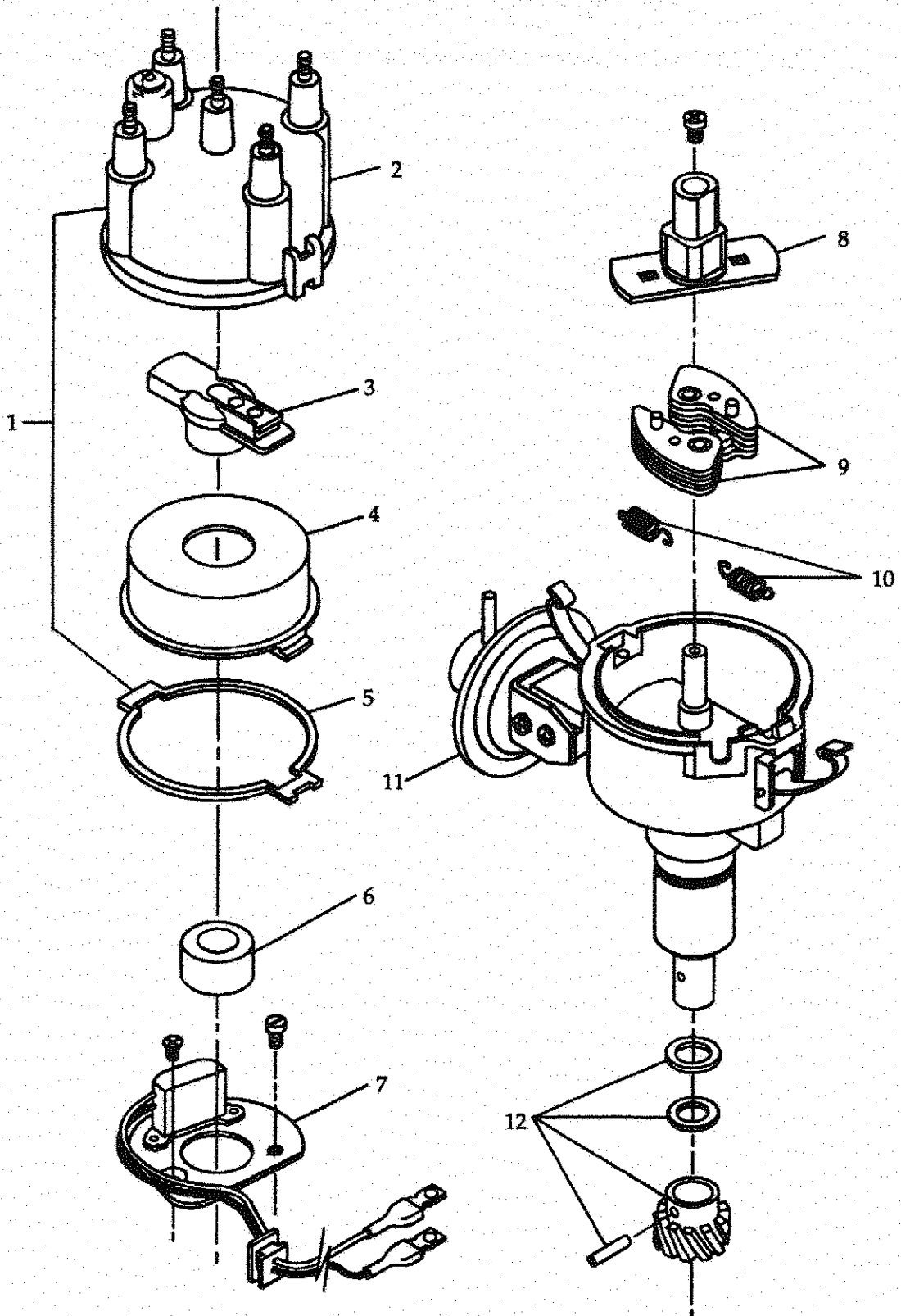
NOTE: ^a Alternator components are not serviced separately.
^b SEE: SPB#92-419 for alternator change (MCI 63 AMP)
(See Accessory Section for Repair Parts).

Accessories Section

SERVICE PARTS LISTS

- Distributor
- Starter
- Alternator

TM27M00510 DISTRIBUTOR

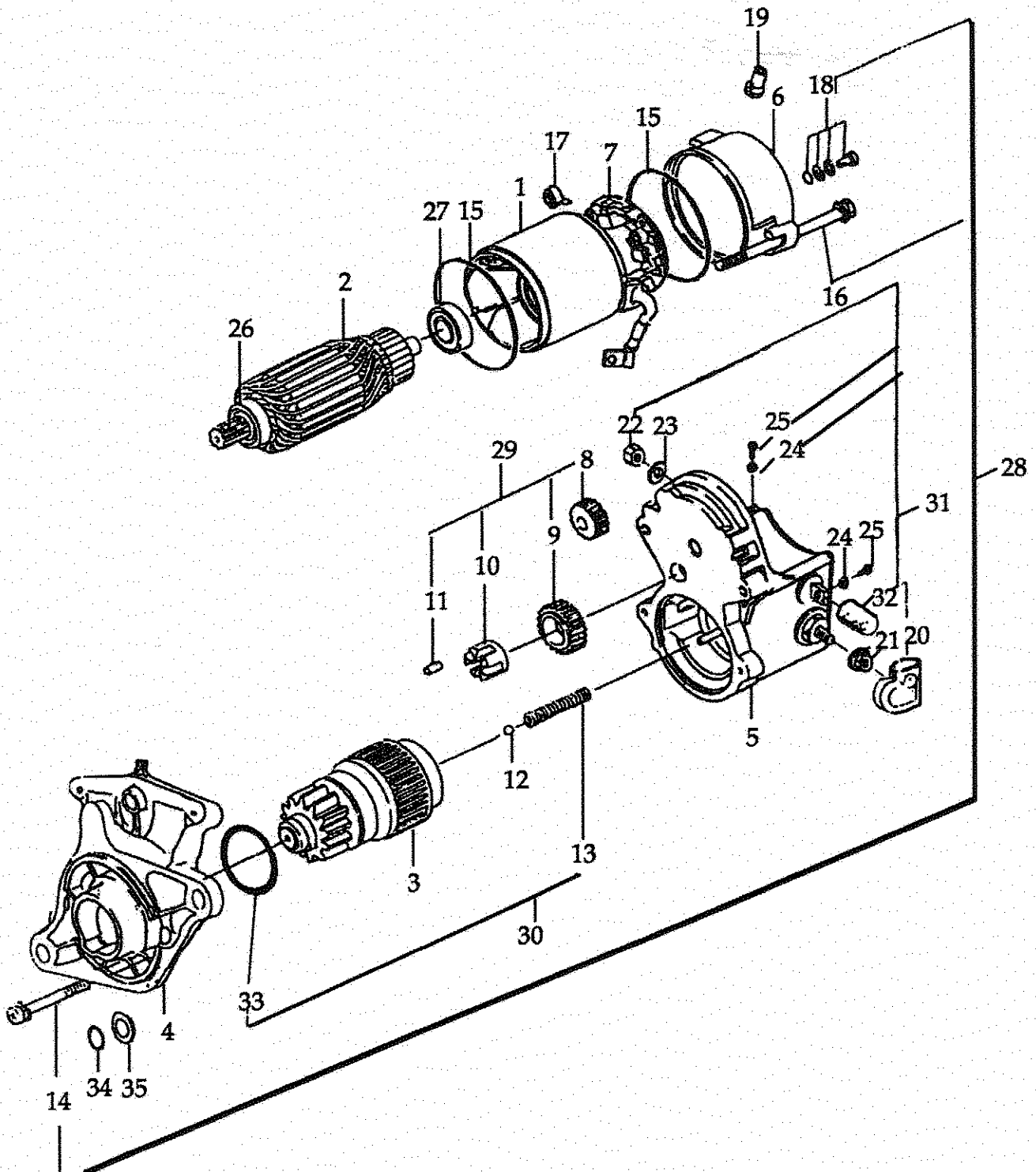


TM27M00510 DISTRIBUTOR SERVICE PARTS

ITEM	PART NO.	DESCRIPTION	QTY
1	TM27M00234-242	Cap and gasket — vented (includes items 2 & 5)	1
2	^a _____	Cap (vented)	1
3	TM27M00224-243	Rotor	1
4	20120003	Cover, dust	1
5	20120010	Gasket — distributor cap	1
6	20120004	Magnet assembly	1
7	TM27M00226 ✓	Module — distributor	1
8	^a _____	Cam and stop plate	1
9	TM27M00235	Advance weights (set).....	1
10	TM27M00231	Advance springs (set)	1
11	TM27M00232	Vacuum advance	1
12	TM27M00225	Gear kit — distributor.....	1

NOTE: ^a Not serviced separately.

NIPPONDENSO STARTER



TMD13M00500 STARTER
(Nippondenso P/N: 128000-1770)

ITEM	PART NO.	DESCRIPTION	QTY
1	a _____	Yoke assembly, starter	1
2	a _____	Armature assembly	1
3	10120001	Starter kit	1
4	10120002	Housing assembly, starter	1
5	10120003	Switch assembly, magnetic	1
6	a _____	Frame, starter end.....	1
7	a _____	Holder assembly, starter	1
8	a,b _____	Pinion, starter	1
9	a,b _____	Pinion, starter	1
10	a,b _____	Retainer	1
11	a,b _____	Roller, clutch	5
12	a,c _____	Ball, steel	1
13	a,c _____	Spring, compression coil	1
14	a,d _____	Screw w/washer	2
15	10120006	O-ring	2
16	a,d _____	Bolt w/washer	2
17	a _____	Spring, brush spiral	4
18	a,d _____	Screw w/o-ring	2
19	10120007	Cover, vent	1
20	a,e _____	Cap, terminal rubber	1
21	a,e _____	Nut	1
22	a,e _____	Nut, hex.....	1
23	a,e _____	Washer, spring	1
24	a,e _____	Washer, spring	2
25	a,e _____	Screw, slotted hex	2
26	10120010	Bearing, ball (drive end)	1
27	10120011	Bearing, ball (commutator end).....	1
28	10120012	Starter kit (includes items 14, 16, 18, 34 & 35)	1
29	10120013	Starter kit (includes items 8-11)	1
30	10120014	Starter kit (includes items 12, 13 & 33)	1
31	10120015	Starter kit (includes items 20-25 & 32)	1
32	a,e _____	Cap, terminal rubber	1
33	a,c _____	O-ring	1
34	a,d _____	O-ring	2
35	a,d _____	Washer, plate.....	2

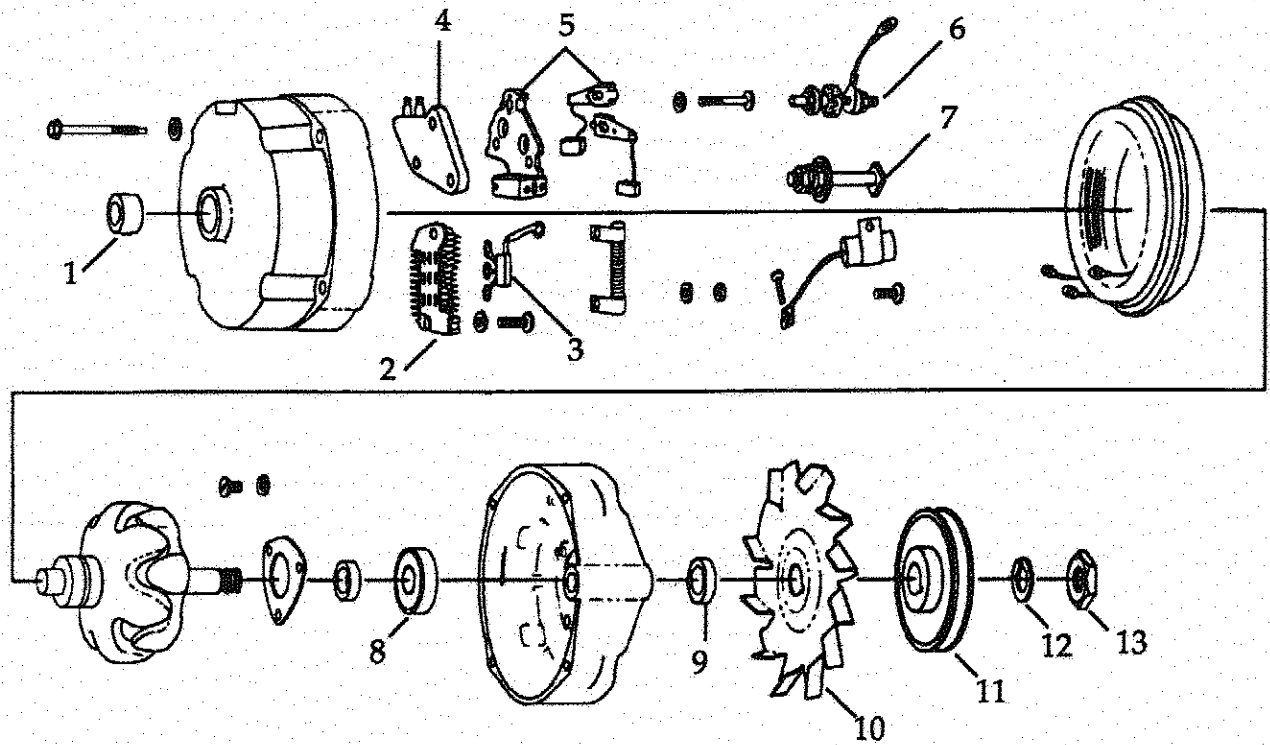
NOTE: ^a **Not** serviced separately.
^b Included in item 29.
^c Included in item 30.
^d Included in item 28.
^e Included in item 31.

ALTERNATOR

A 63 amp belt driven alternator, part #10120067, is being used on engines built since January 1992. This alternator is manufactured to our specification by MCI, St. Charles, IL.

10120067 alternator replaces Delco Remy alternators, Continental part nos. F401M00355 and F401M00358. For your reference, 10120067 alternator is nearly identical to Delco Remy # 1105360. Repair specifications and procedures that pertain to 1105360 Delco Remy alternator will also apply to our 10120067 alternator.

The following exploded view illustrates the available parts through our service parts system.



ITEM	PART NO.	DESCRIPTION	QTY	ITEM	PART NO.	DESCRIPTION	QTY
1	10120079	Needle bearing, brush end	1	7	10120080	Battery Stud Kit	1
2	10120074	Rectifier bridge	1	8	10120078	Ball bearing, pulley end	1
3	10120075	Diode trio	1	9	10120084	Spacer, fan	1
4	10120073	Regulator	1	10	10120081	Fan	1
5	10120076	Brushholder assembly	1	11	F600M00379	Pulley	1
6	10120077	Relay terminal kit	1	12	10120082	Lockwasher	1
				13	10120083	Nut, pulley	1

ENGINE SERVICE KITS COMPONENTS

KIT NUMBER	PART NUMBER	DESCRIPTION	QTY	
TMD27U01006	TMD27A00613	Gasket - Cylinder Head	1	
	TM27A00502	Gasket Head Cover	1	
	X14596	Washer - Plain	3	
	XM39000	O-Ring	3	
	TM27E00502	Gasket - Manifold	1	
	TM27K00202	Gasket Water Outlet Header	2	
	X07854	Gasket Water Outlet Elbow	1	
	TM27F00206	Gasket - Carburetor	1	
	TM27F00308	Gasket - Carburetor	1	
	X14192	Washer - Copper	2	
	F401M00219	Gasket Dist.	1	
	TTP10121	TM/TMD Cyl Head Torque Chart	1	
	TM27T00107	TM27B00305	Syringe	1
		X07818	Gasket Form-RTV	1
X07840		Insert Cure	2	
X30194		Sheet - Instruction	1	
TM27T01001	TM27K00306	Bearing and Shaft Water Pump	1	
	X07047	Ring - Snap	2	
	OA200K03040	Seal - Water Pump	1	
	K500K00220	Gasket - Water Pump Seal	1	
	TM27K00403	Gasket - Water Pump	1	
	TM27K00301	Gasket - Water Pump	1	
	TM27K00418	Impeller Water Pump	1	
	X30078	Sheet - Instruction	1	
TM27U02003	TM27K00301	Gasket - Water Pump	1	
	TM27B00517	Gasket - G/C	1	
	X07845	Seal - Oil	1	
	TM27L00513	Seal - Oil	2	

SERVICE AND PARTS
Available from your Authorized
WIS-CON TOTAL POWER
Service Center

 **WIS-CON**
TOTAL POWER CORP.

HEADQUARTERS:

3409 Democrat Road P.O. Box 181160 Memphis, Tennessee 38181
Phone: (901) 365-3600 TELEX: 462-1058 (IT) FAX NO: (901) 369-4050

EUROPEAN:

Rue Joseph Deflandre, 13 B-4053 Chaudfontaine (Legs) Belgium
Phone: (32) (41) 675320 TELEX: 42631 TDY TP B FAX NO: (32) (41) 677987